



US00D397490S

# United States Patent [19]

[11] Patent Number: **Des. 397,490**

**Lecluze**

[45] Date of Patent: **\*\*Aug. 25, 1998**

[54] **TRIM FOR RECESSED LIGHT FIXTURE**

D. 386,277 11/1997 Lecluze ..... D26/118  
3,518,420 6/1970 Kripp ..... 362/365 X

[76] Inventor: **Michel Lecluze**, 1009 rue du Parc  
Industriel, St-Jean-Chrysostome,  
Québec, Canada, G6Z 1C5

*Primary Examiner*—Susan J. Lucas  
*Attorney, Agent, or Firm*—Jean H. Dubuc

[\*\*] Term: **14 Years**

[57] **CLAIM**

[21] Appl. No.: **72,780**

The ornamental design for a trim for recessed light fixture,  
as shown and described.

[22] Filed: **Jun. 30, 1997**

**DESCRIPTION**

[51] LOC (6) Cl. .... **26-99**

[52] U.S. Cl. .... **D26/118; D26/74**

[58] Field of Search ..... D26/72, 74, 118,  
D26/119; 362/147, 364, 365, 366

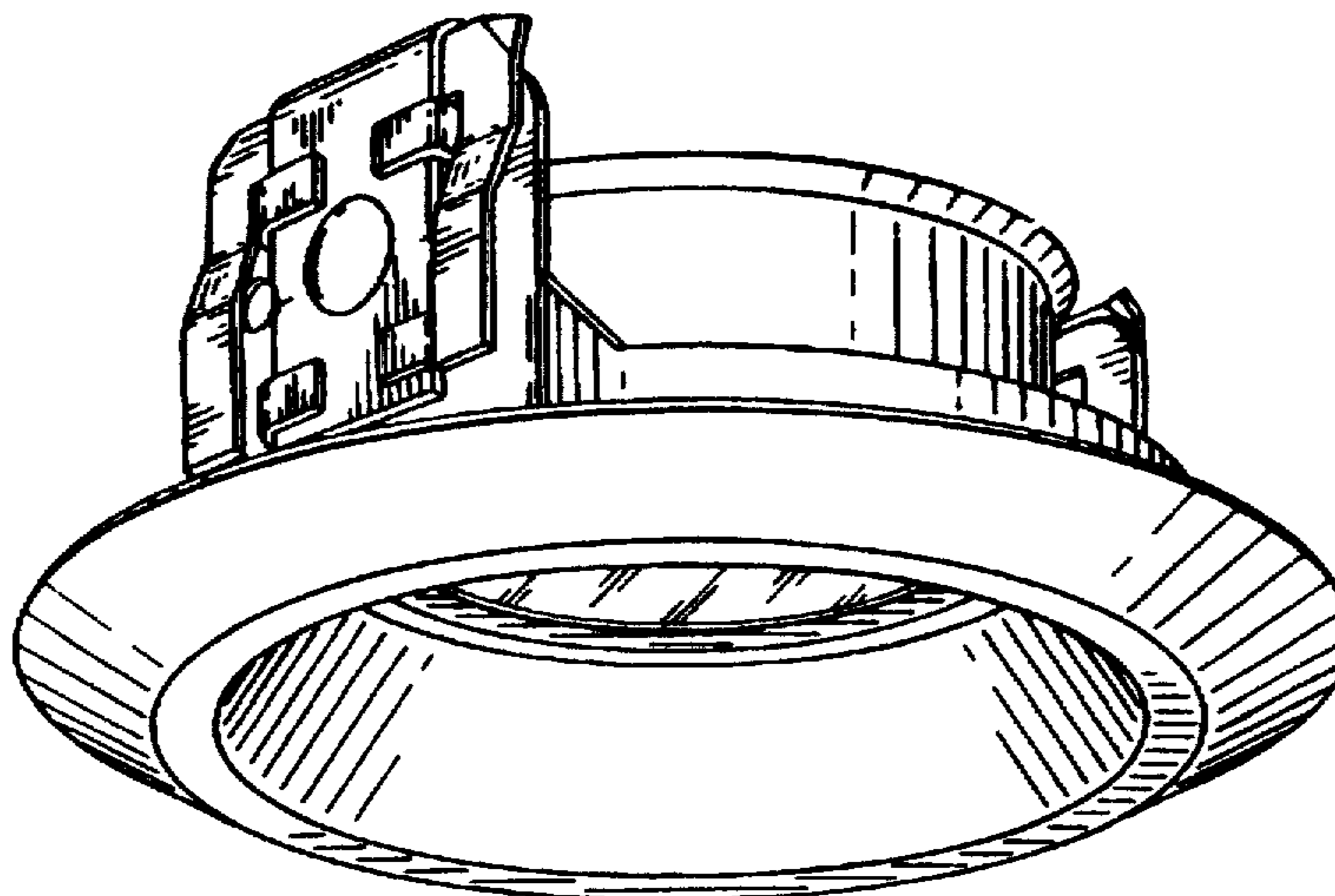
FIG. 1 is a perspective view of a trim for recessed light  
fixture made in accordance with the present invention;  
FIG. 2 is a side view thereof, the opposite side being a mirror  
image;  
FIG. 3 is a side view thereof as seen from the left of FIG. 2;  
FIG. 4 is a side view thereof as seen from the right of FIG.  
2;  
FIG. 5 is a bottom view thereof; and,  
FIG. 6 is a top view thereof.

[56] **References Cited**

**U.S. PATENT DOCUMENTS**

D. 380,852 7/1997 Lecluze ..... D26/118  
D. 381,111 7/1997 Lecluze ..... D26/118  
D. 381,454 7/1997 Lecluze ..... D26/118

**1 Claim, 3 Drawing Sheets**



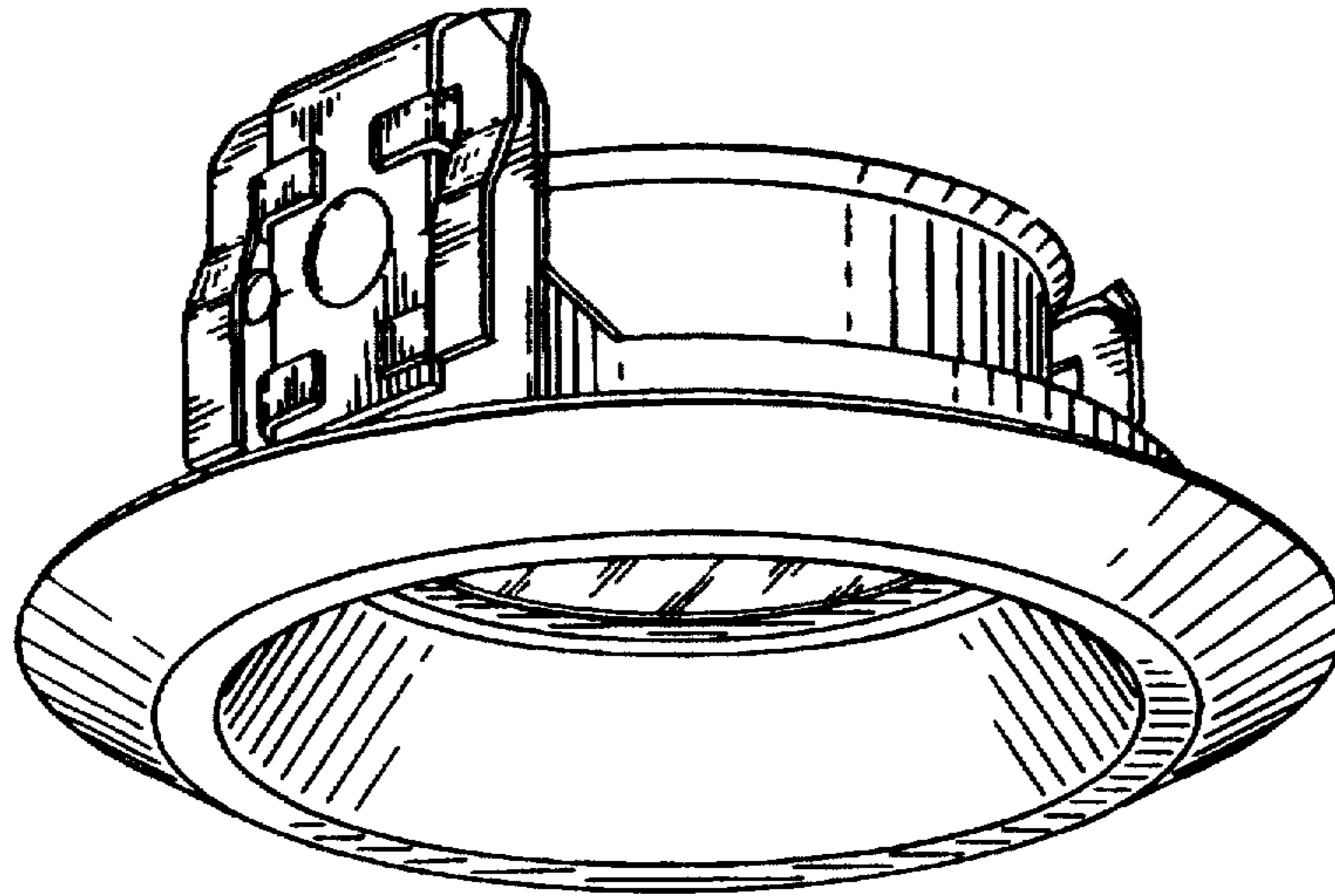


FIG. 1

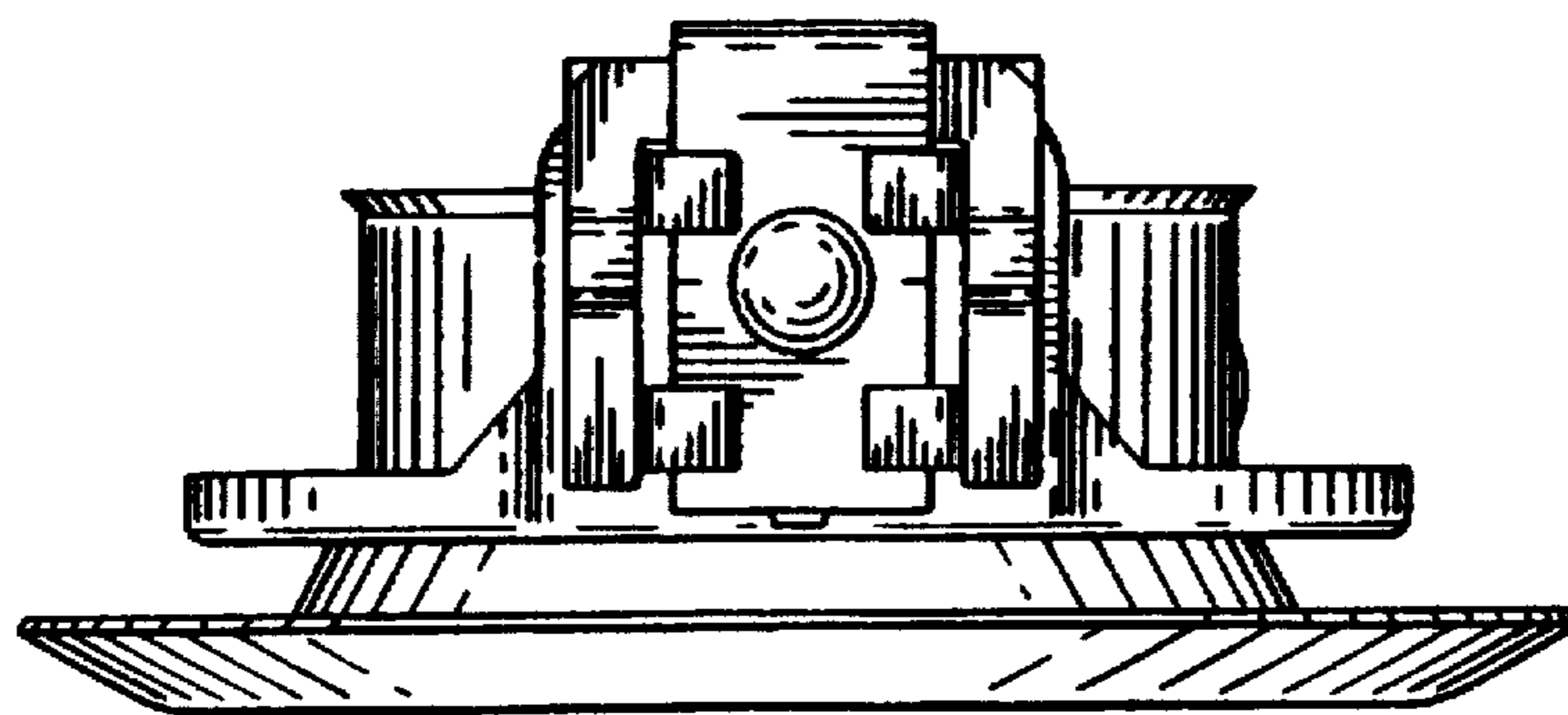


FIG. 2

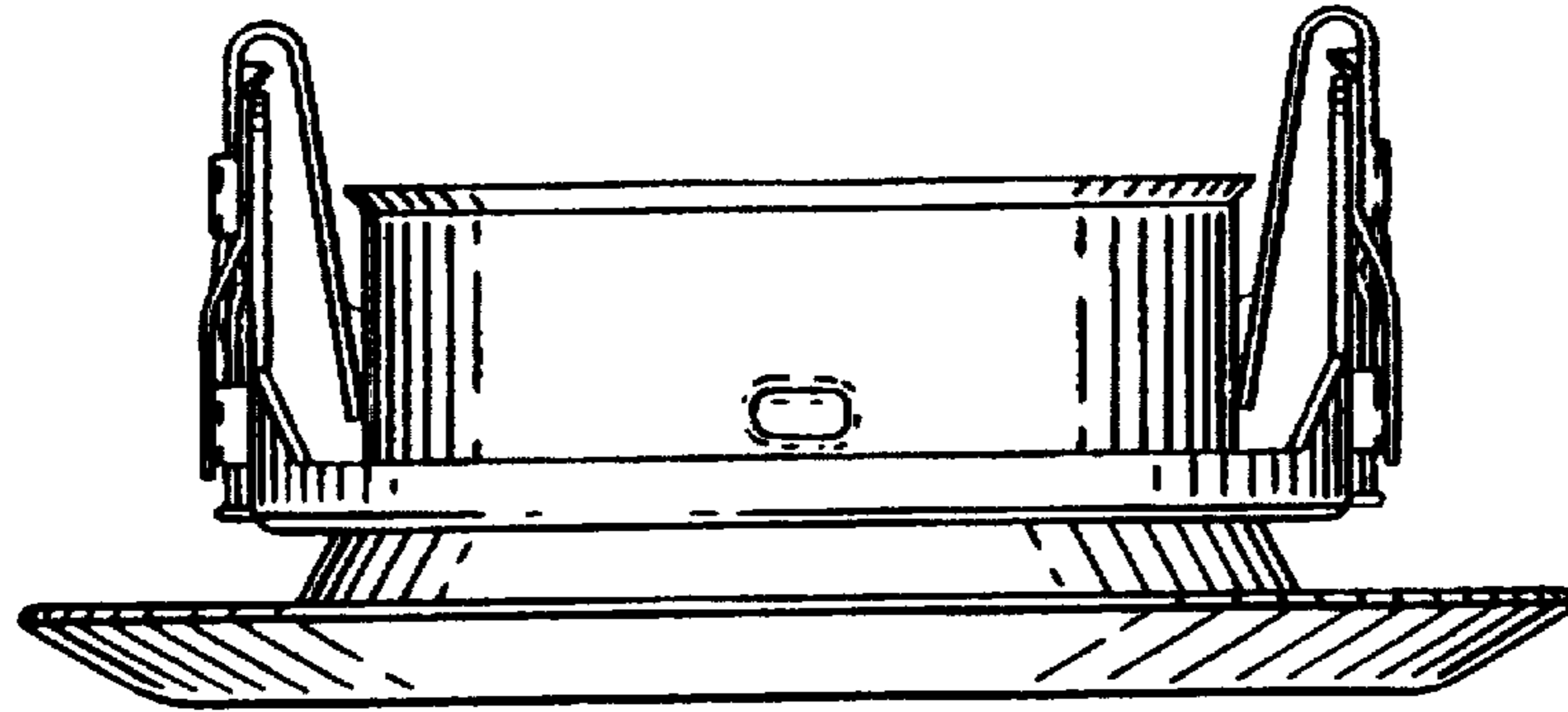


FIG. 3

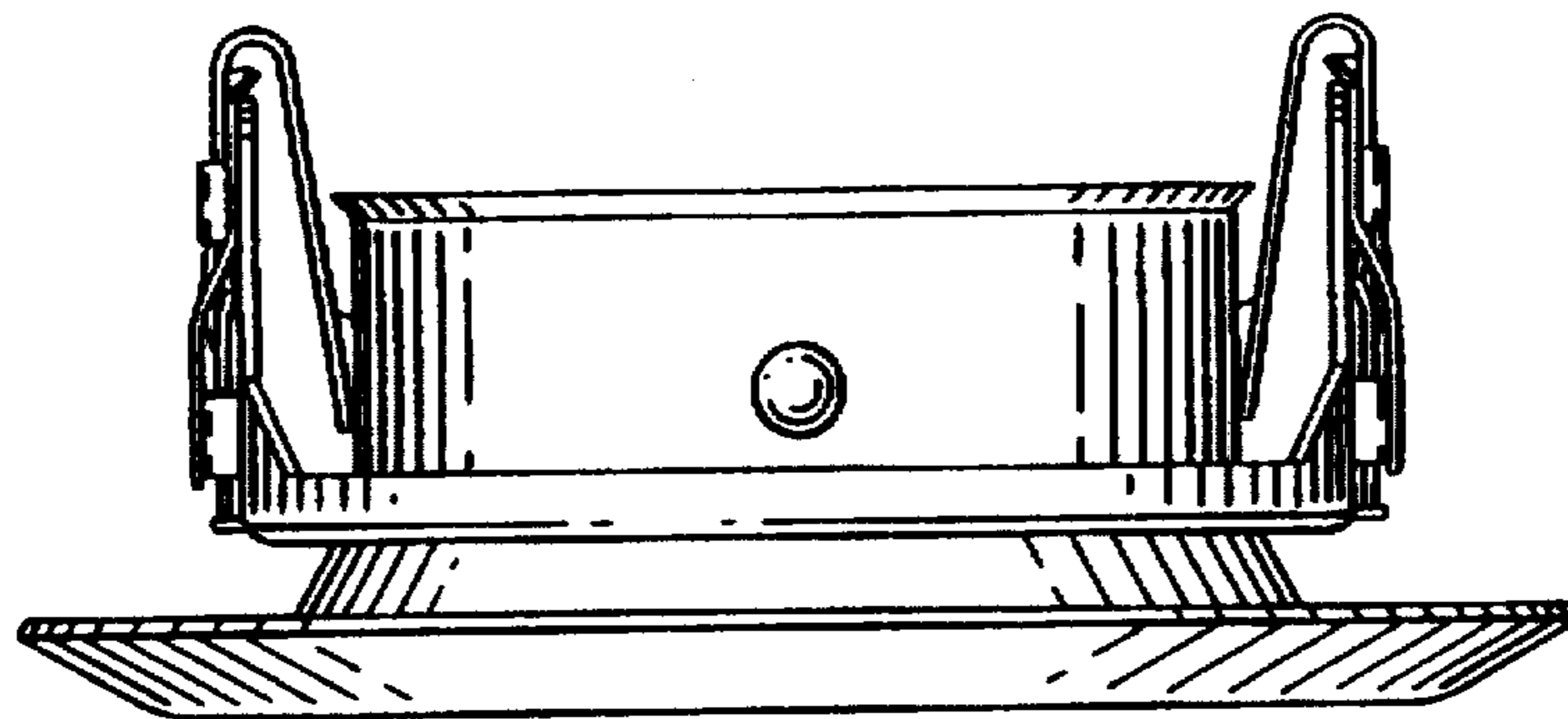


FIG. 4

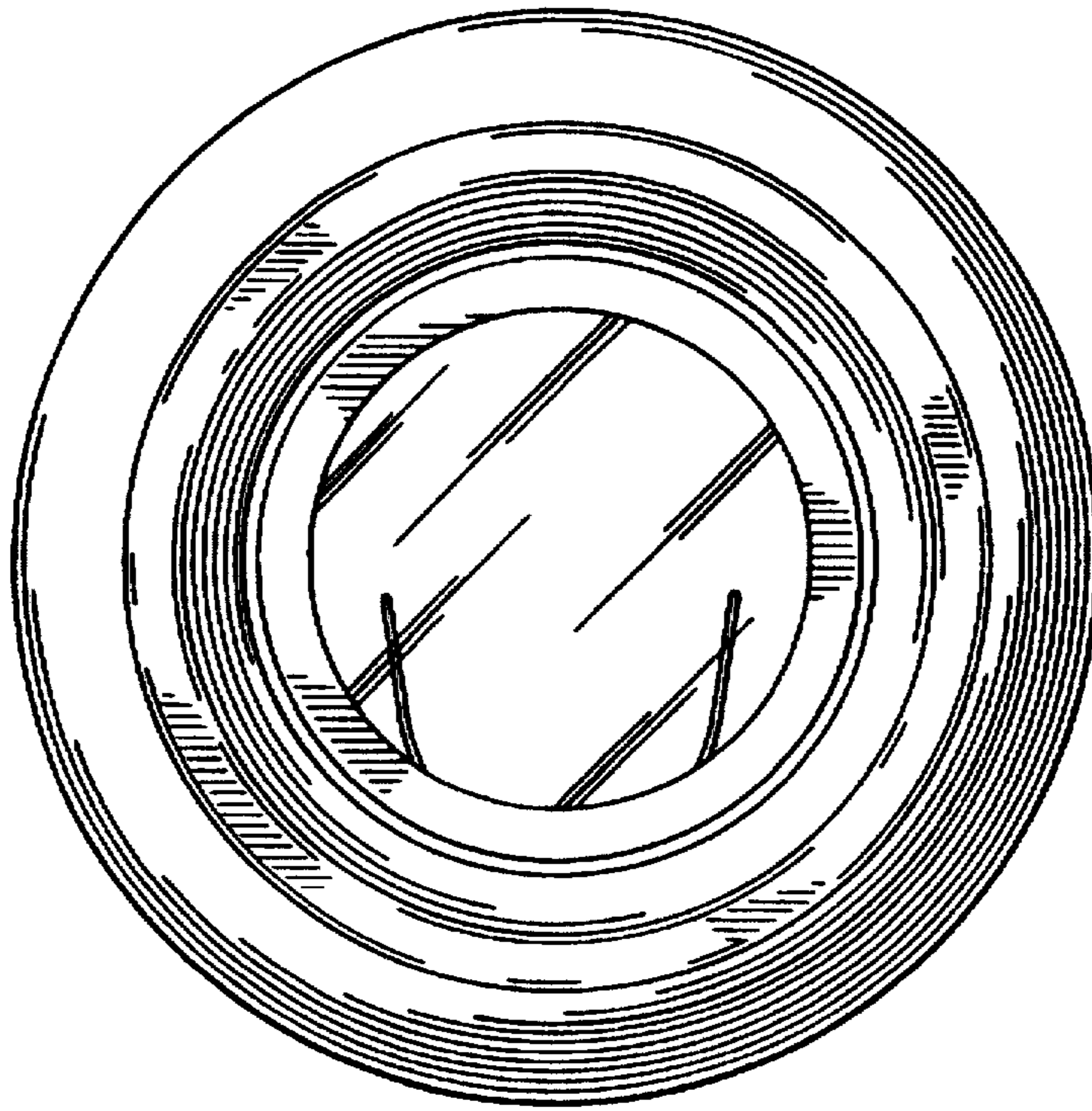


FIG. 5

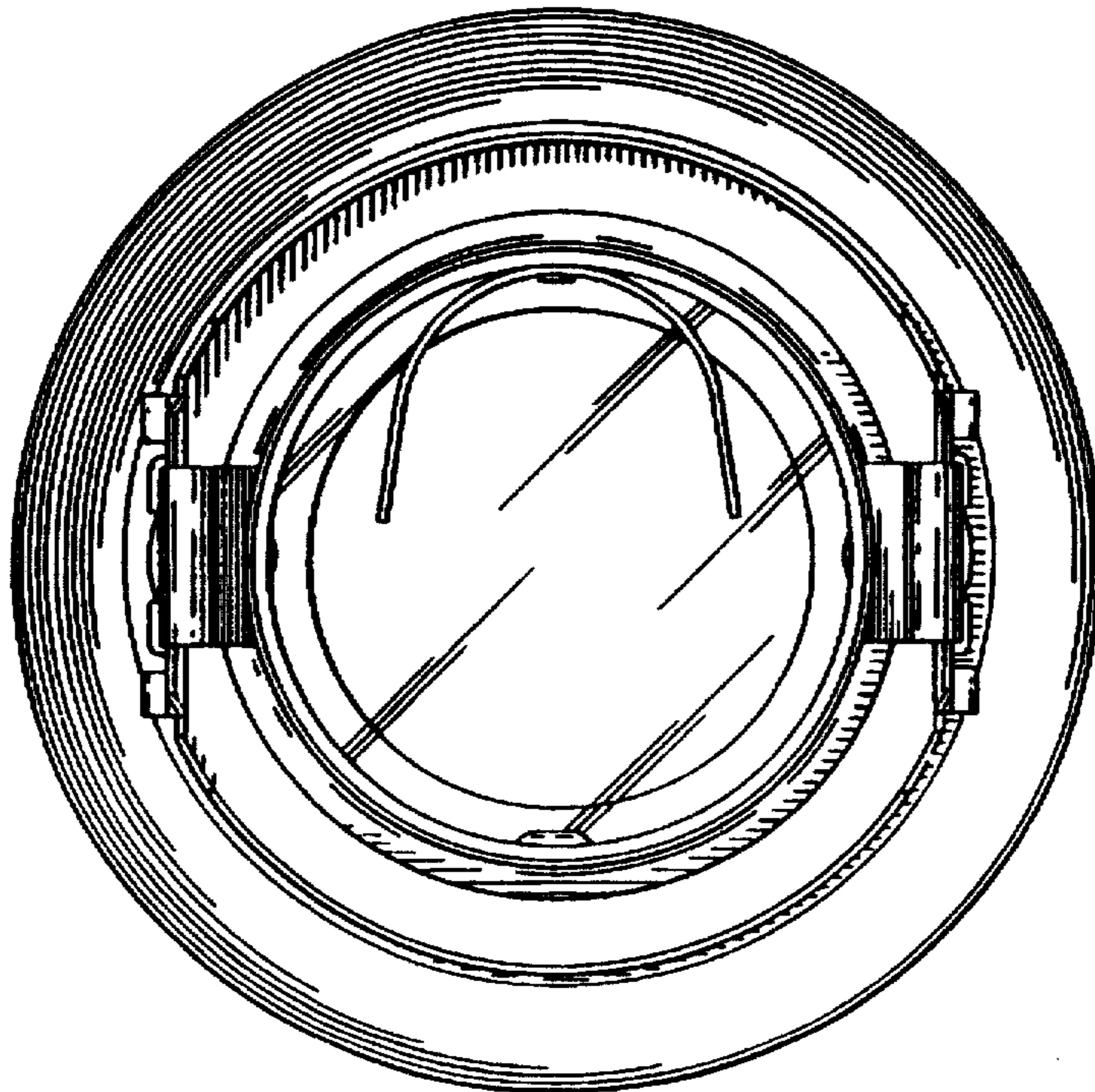


FIG. 6