



US00D397487S

United States Patent [19]

[11] **Patent Number: Des. 397,487**

Hsu

[45] **Date of Patent: **Aug. 25, 1998**

[54] **BATHROOM LAMP**

Primary Examiner—Susan J. Lucas

[75] **Inventor: Keen Hsu, Taichung, Taiwan**

Attorney, Agent, or Firm—Peterson, Wicks, Nemer & Kamrath, P.A.

[73] **Assignee: Bright Yin Huey Co., Ltd, Taichung, Taiwan**

[57] **CLAIM**

[**] **Term: 14 Years**

The ornamental design for a bathroom lamp, as shown and described.

[21] **Appl. No.: 73,071**

[22] **Filed: Jun. 30, 1997**

DESCRIPTION

[51] **LOC (6) Cl. 26-05**

FIG. 1 is a perspective view of a bathroom lamp showing my design;

[52] **U.S. Cl. D26/87**

FIG. 2 is a front elevational view thereof;

[58] **Field of Search D26/72, 75, 76, D26/80, 81, 85, 86, 87, 91, 92; 362/147, 432**

FIG. 3 is a rear elevational view thereof;

FIG. 4 is a left side elevational view thereof;

FIG. 5 is a right side elevational view thereof;

FIG. 6 is a top plan view thereof; and,

FIG. 7 is a bottom plan view thereof.

[56] **References Cited**

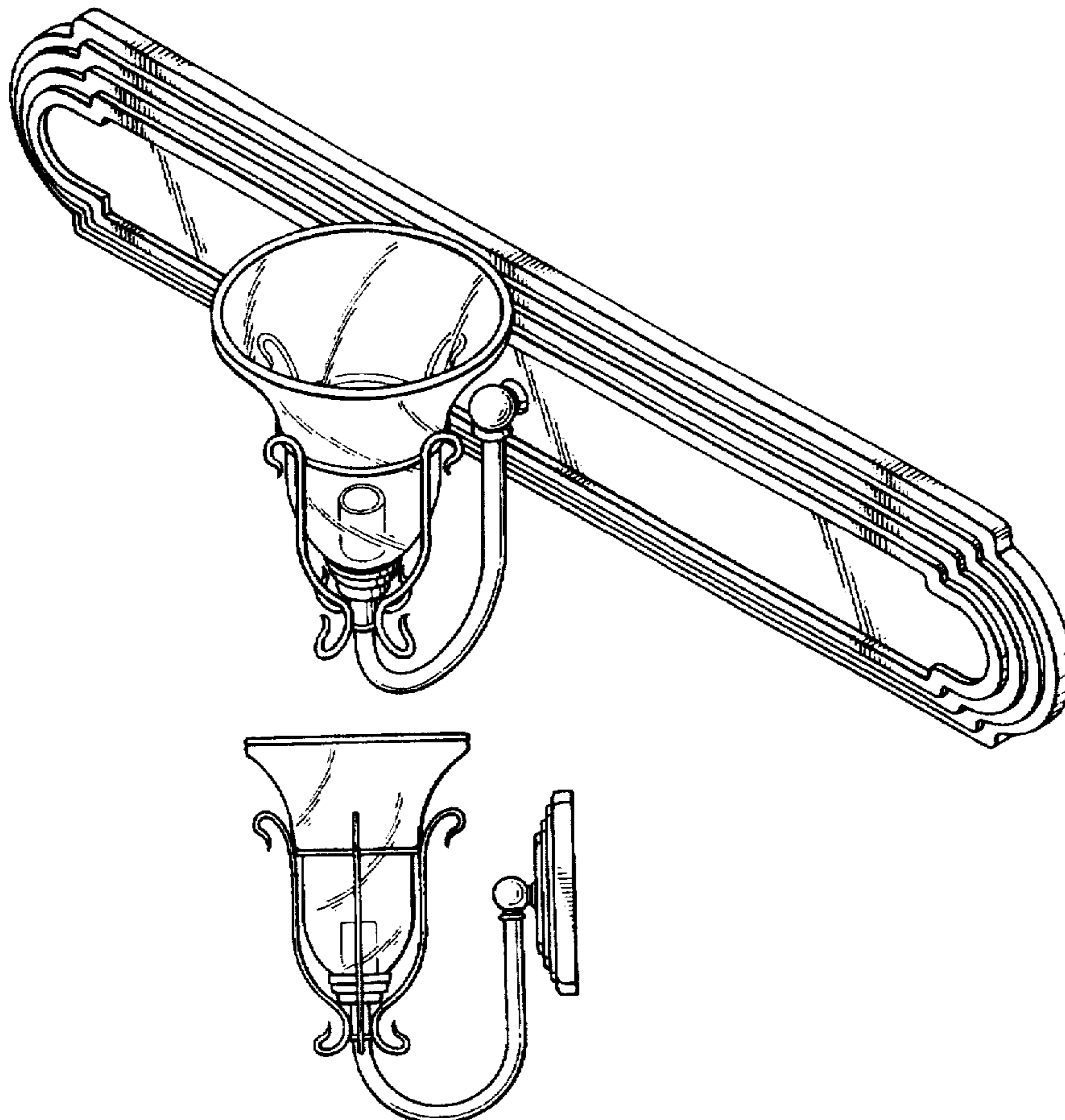
U.S. PATENT DOCUMENTS

D. 271,621 11/1983 Porter D26/81
D. 367,936 3/1996 Kay D26/87

OTHER PUBLICATIONS

Murray Feiss lighting catalog, p. FX 129, wall lamp #VS2801, Mar. 1995.
Minka-Lavery lighting catalog, p. 163, wall lamp base, #E W197-22, Jan. 1995.

1 Claim, 4 Drawing Sheets



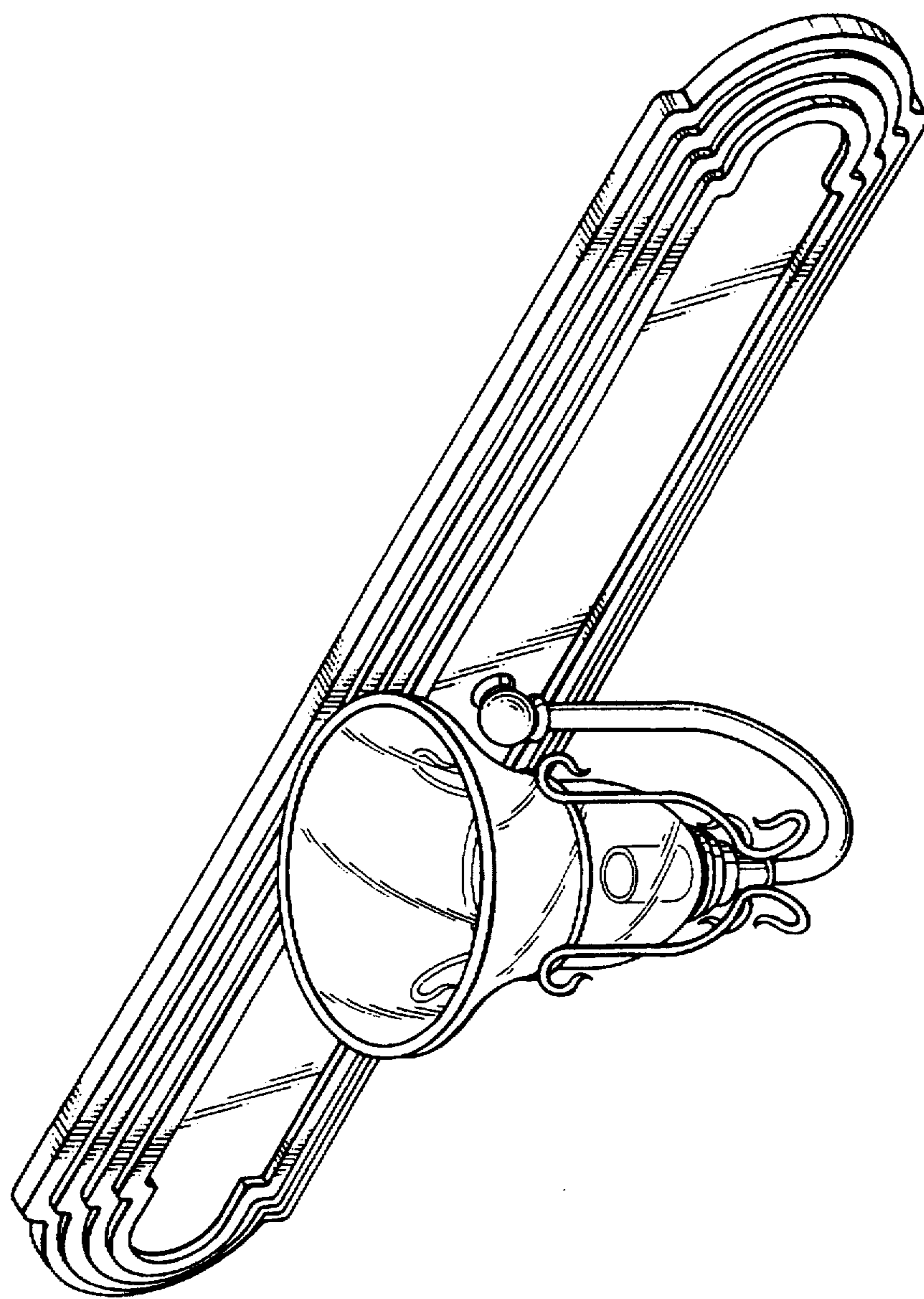


FIG. 1

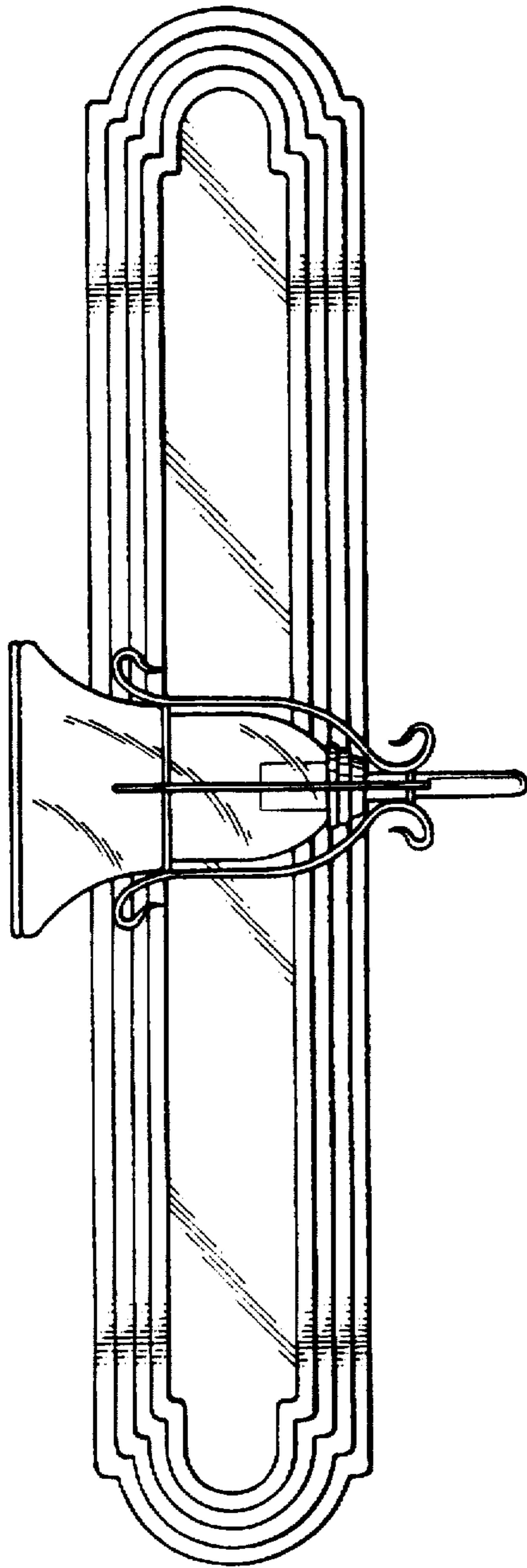


FIG. 2

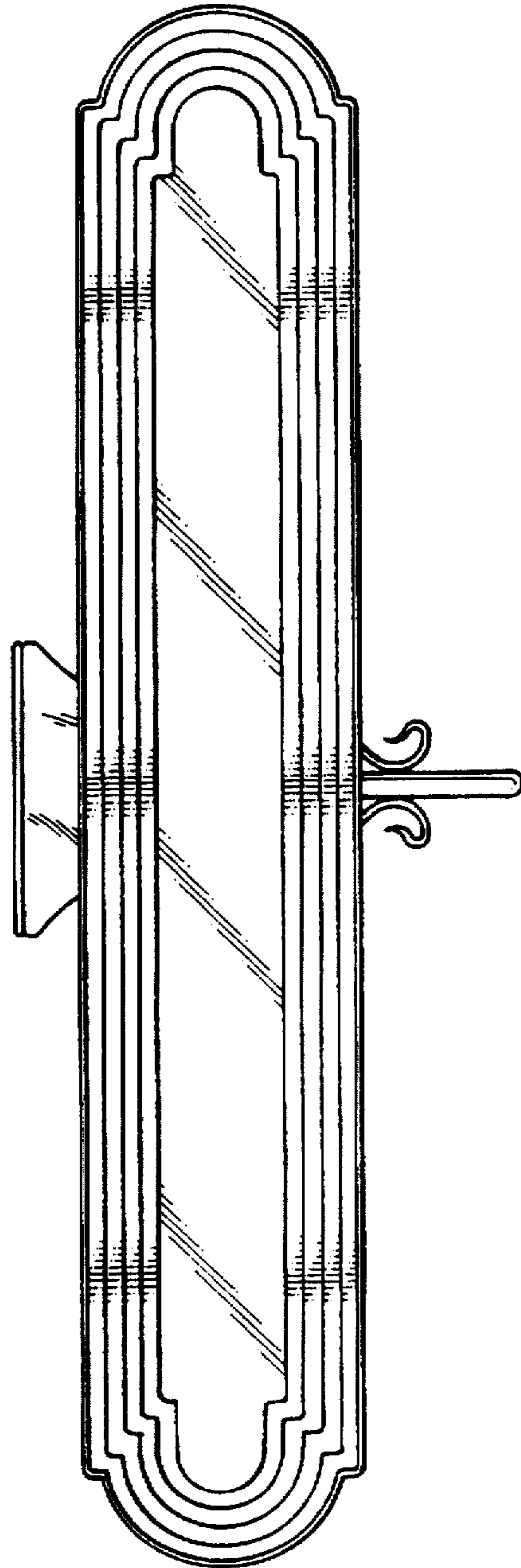


FIG. 3

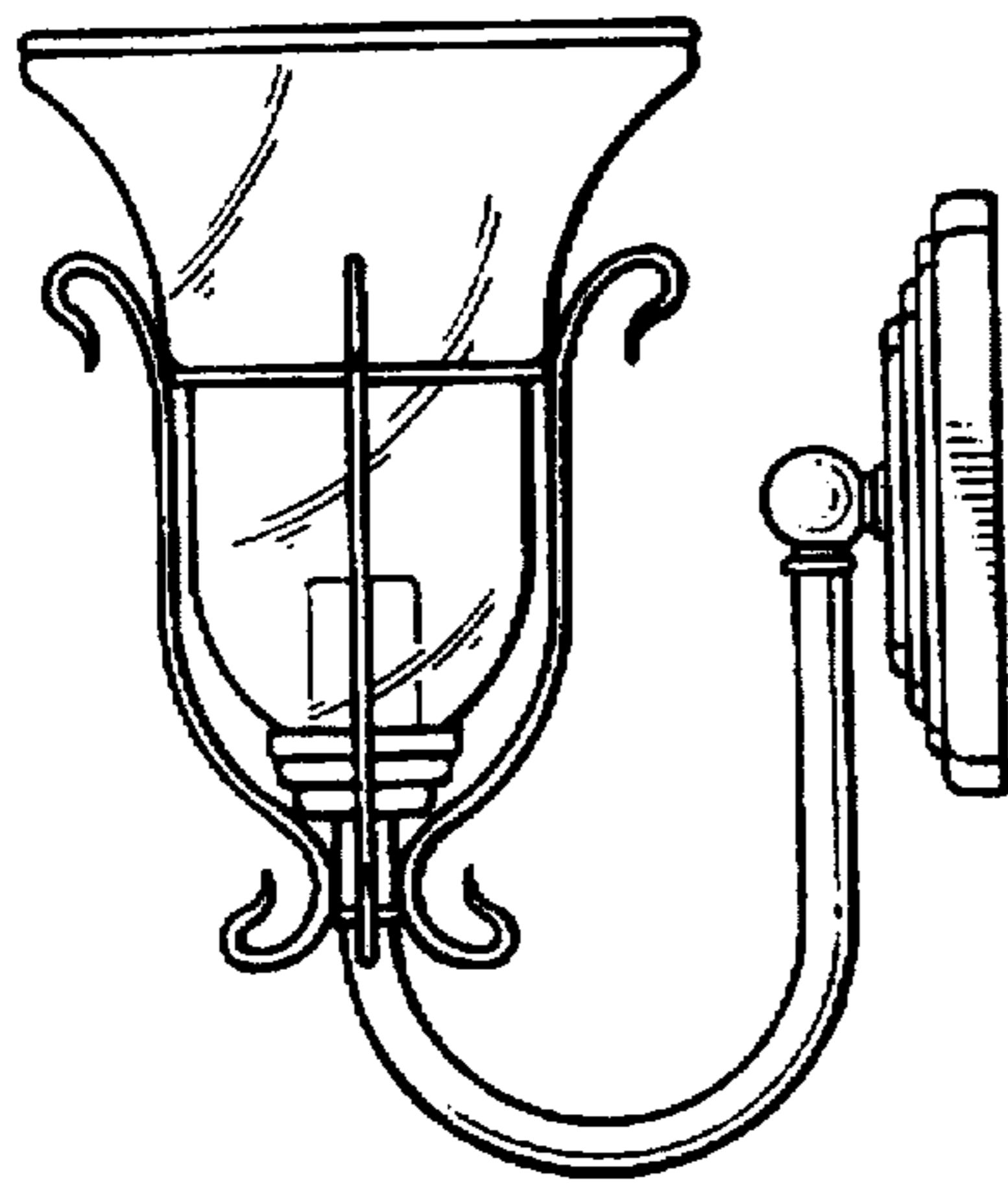


FIG. 4

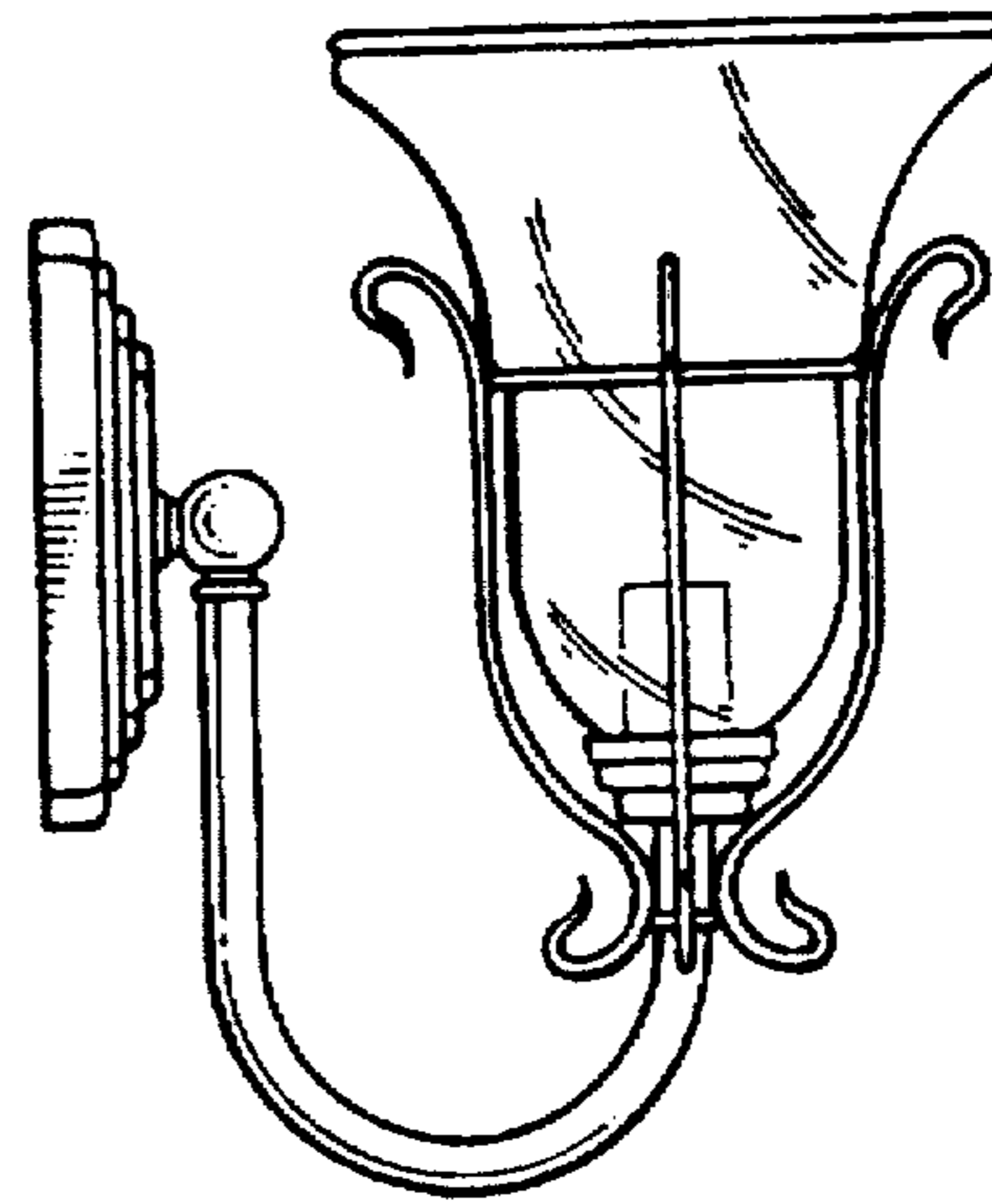


FIG. 5

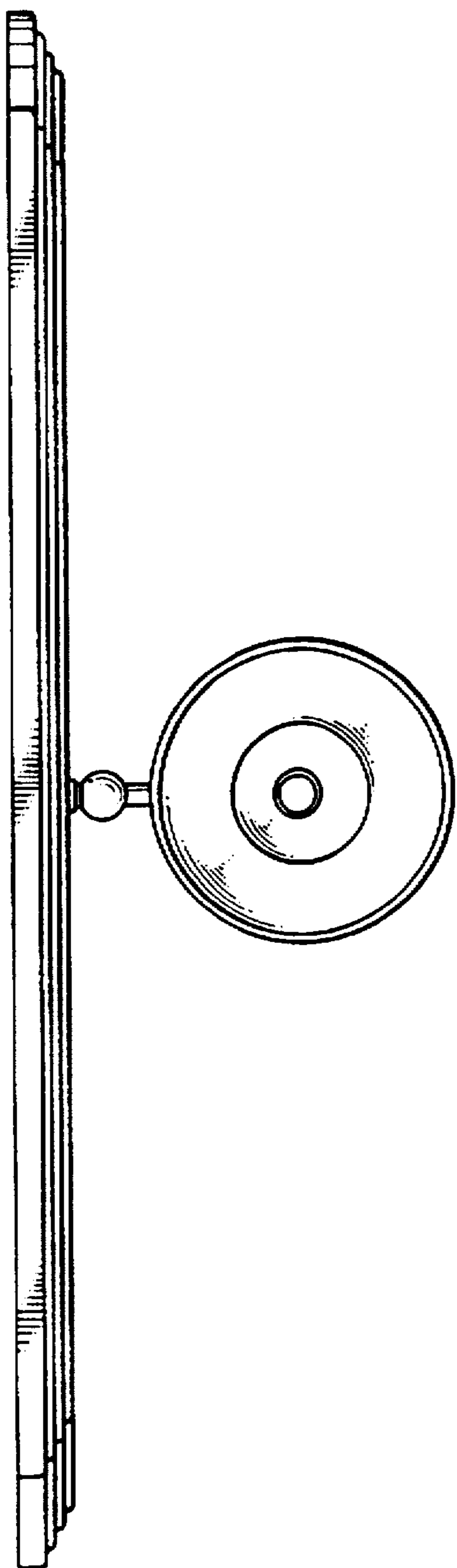


FIG. 6

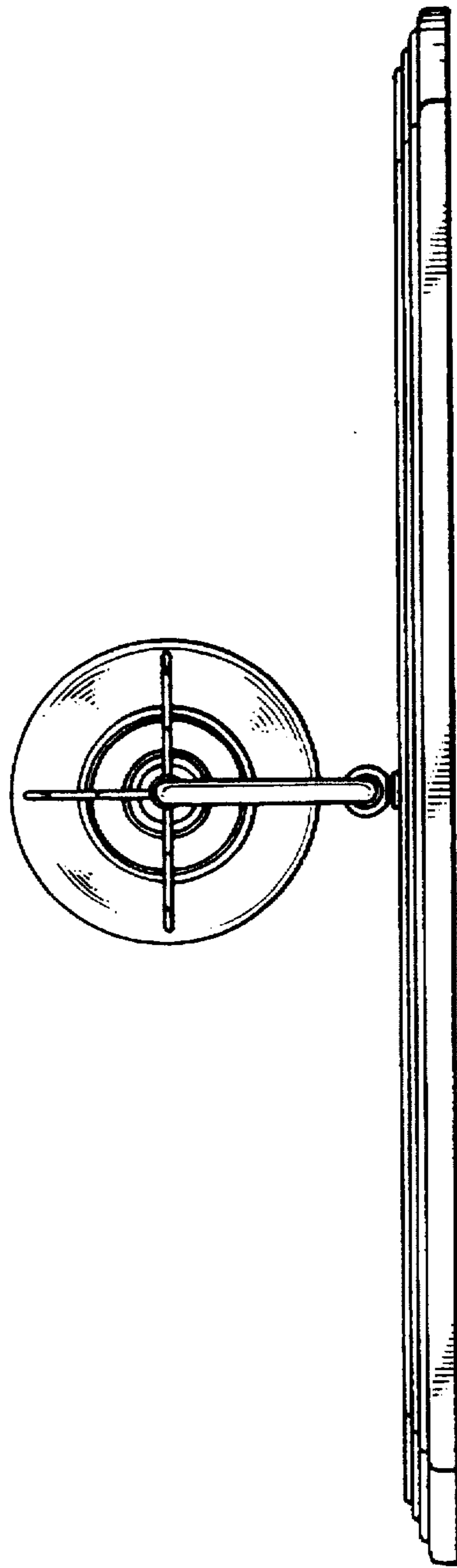


FIG. 7