



US00D397485S

United States Patent [19]
Kalthoff

[11] **Patent Number:** **Des. 397,485**
[45] **Date of Patent:** ****Aug. 25, 1998**

[54] **LIGHT FIXTURE**

[75] **Inventor:** **Alfred Kalthoff, Entrup, Germany**

[73] **Assignee:** **Staff GmbH & Co KG, Lemgo, Germany**

[**] **Term:** **14 Years**

[21] **Appl. No.:** **61,014**

[22] **Filed:** **Oct. 15, 1996**

[30] **Foreign Application Priority Data**

Apr. 19, 1996 [DE] Germany M 96 03 483.1

[51] **LOC (6) Cl.** **26-05**

[52] **U.S. Cl.** **D26/87; D26/76**

[58] **Field of Search** **D26/72, 75, 76, D26/77, 78, 80-92; 362/147, 404-408, 432, 222, 223**

[56] **References Cited**

U.S. PATENT DOCUMENTS

D. 123,887 12/1940 Koehler D26/75 X

D. 125,468 2/1941 Dreyfuss D26/75 X
D. 189,256 11/1960 Rothman D26/76
D. 203,060 11/1965 Schaefer D26/76
D. 268,367 3/1983 Paquette et al. D26/76
D. 329,104 9/1992 Dieperink D26/87

Primary Examiner—Susan J. Lucas
Attorney, Agent, or Firm—Pollock, Vande Sande & Priddy

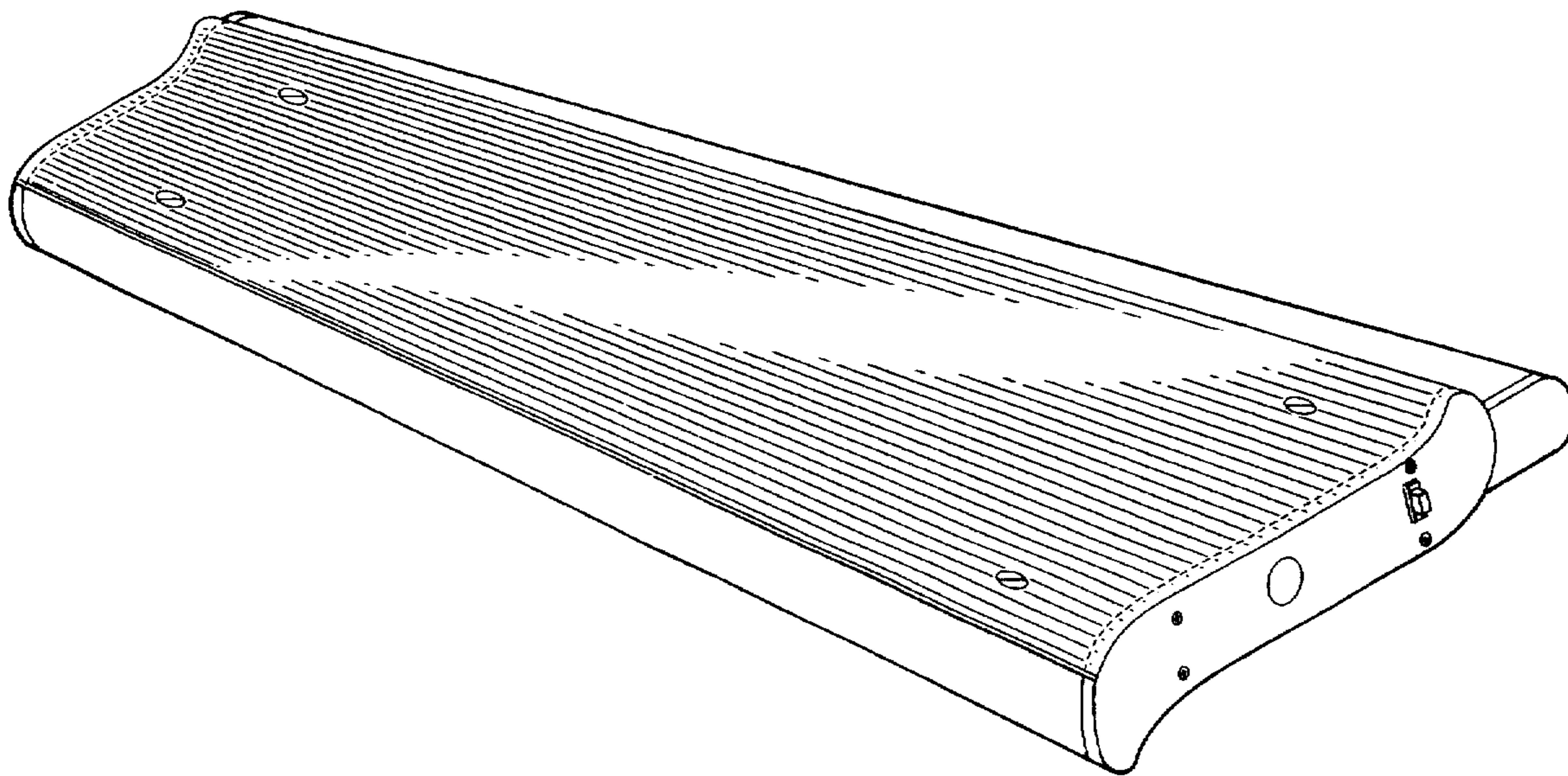
[57] **CLAIM**

The ornamental design for a light fixture, as shown and described.

DESCRIPTION

FIG. 1 is a perspective view taken from the front, end and bottom of the light fixture showing my new design;
FIG. 2 is an end elevation view thereof, the opposite end being a mirror image;
FIG. 3 is a top view thereof; and,
FIG. 4 is a front elevation view thereof.
The fixture is broken away in FIGS. 3 and 4 for convenience of illustration.

1 Claim, 4 Drawing Sheets



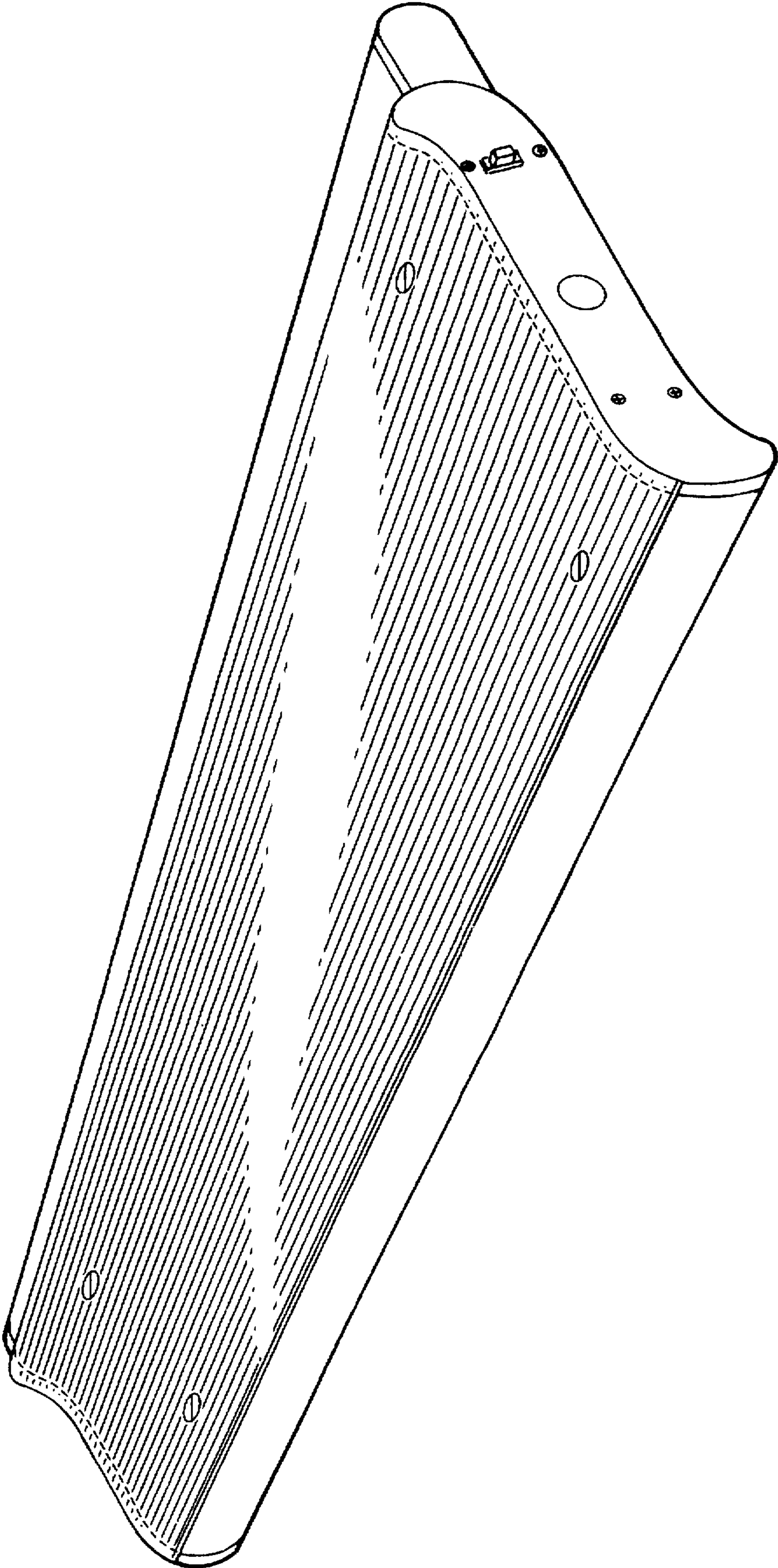


FIG. 1

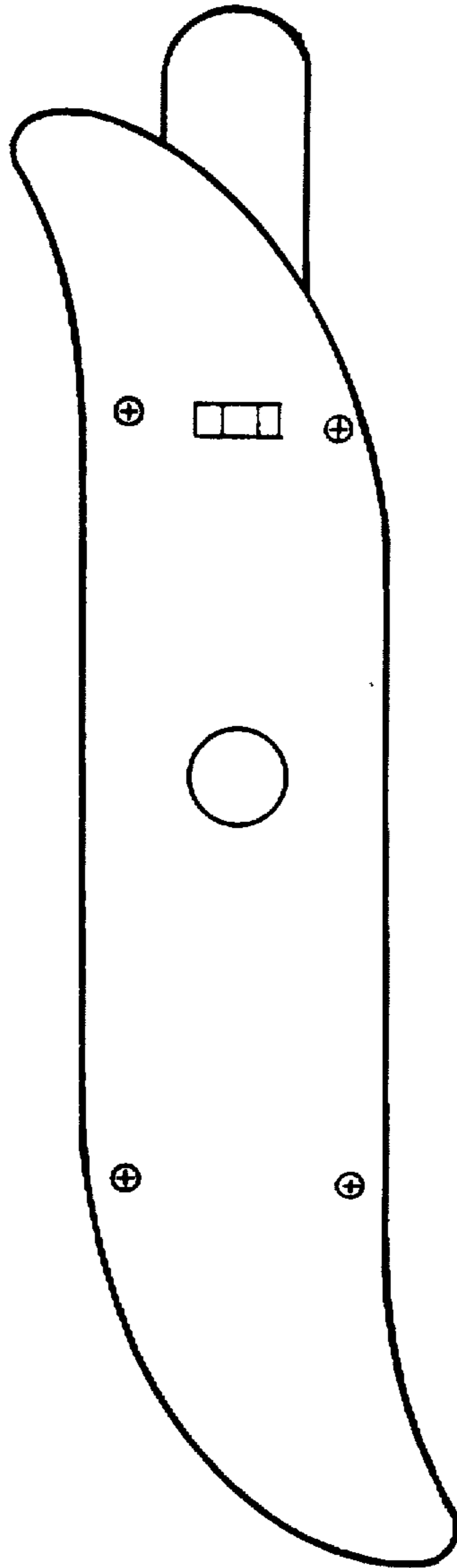


FIG. 2

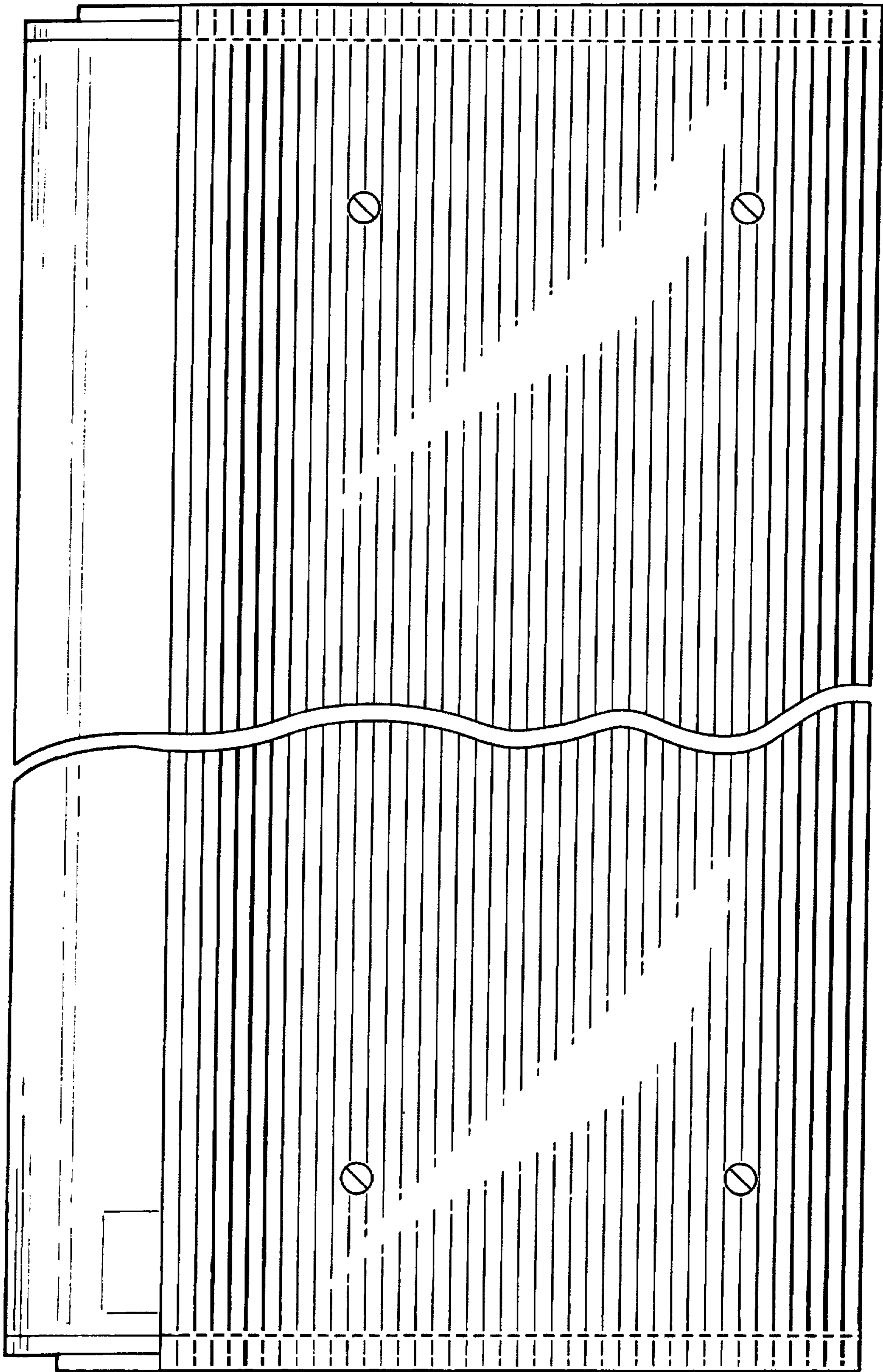


FIG. 3

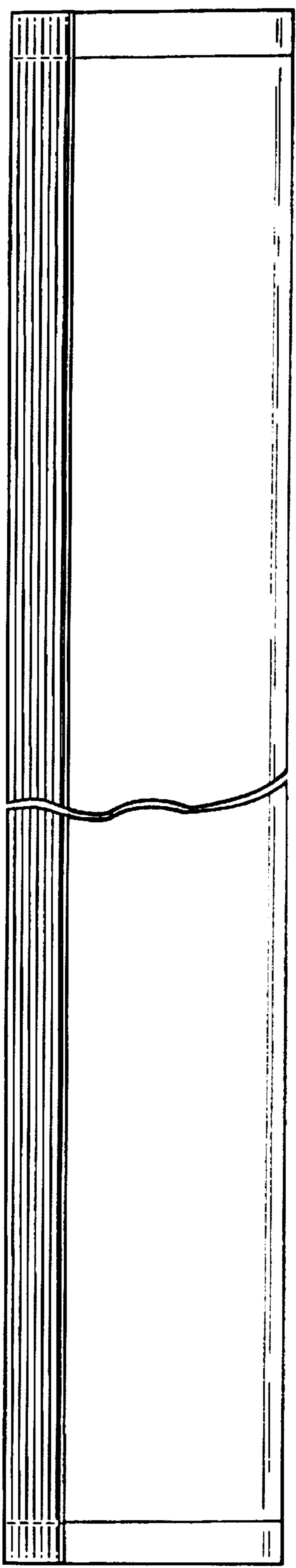


FIG. 4