

US00D397484S

# United States Patent [19]

Ballard

[11] Patent Number: Des. 397,484

[45] Date of Patent: \*\*Aug. 25, 1998

- [54] **OUTDOOR LIGHTING FIXTURE FOR A DECK**
- [76] Inventor: **Garry G. Ballard**, 27 Greenwood La., Pontiac, Mich. 48340
- [\*\*] Term: **14 Years**
- [21] Appl. No.: **79,560**
- [22] Filed: **Nov. 14, 1997**
- [51] LOC (6) Cl. .... **26-05**
- [52] U.S. Cl. .... **D26/85**
- [58] Field of Search ..... D26/72, 80-92; 362/147, 310, 311, 432

- [56] **References Cited**
- U.S. PATENT DOCUMENTS**
- D. 307,328 4/1990 Roulstone ..... D26/85
- D. 334,821 4/1993 Morgan ..... D26/85 X
- 4,590,544 5/1986 Decandia ..... 362/147 X
- 4,731,714 3/1988 Kelly et al. .... 362/147 X

*Primary Examiner*—Susan J. Lucas  
*Attorney, Agent, or Firm*—John R. Benefiel

## [57] CLAIM

The ornamental design for an outdoor lighting fixture for a deck, as shown and described.

## DESCRIPTION

FIG. 1 is a perspective view of an outdoor lighting fixture for

a deck according to my invention with a support post shown in phantom;

FIG. 2 is a top view of the outdoor lighting fixture shown in FIG. 1;

FIG. 3 is a bottom view of the outdoor lighting fixture shown in FIGS. 1 and 2;

FIG. 4 is a front view of the outdoor lighting fixture shown in FIGS. 1 through 3;

FIG. 5 is a side elevational view of the outdoor lighting fixture shown in FIGS. 1 through 3;

FIG. 6 is a rear view of the outdoor lighting fixture shown in FIGS. 1 through 5;

FIG. 7 is a perspective view of a second embodiment of an outdoor lighting fixture according to the invention with a support post shown in phantom;

FIG. 8 is a top view of the outdoor light fixture according to FIG. 7;

FIG. 9 is a bottom view of the outdoor light fixture according to FIGS. 7 and 8;

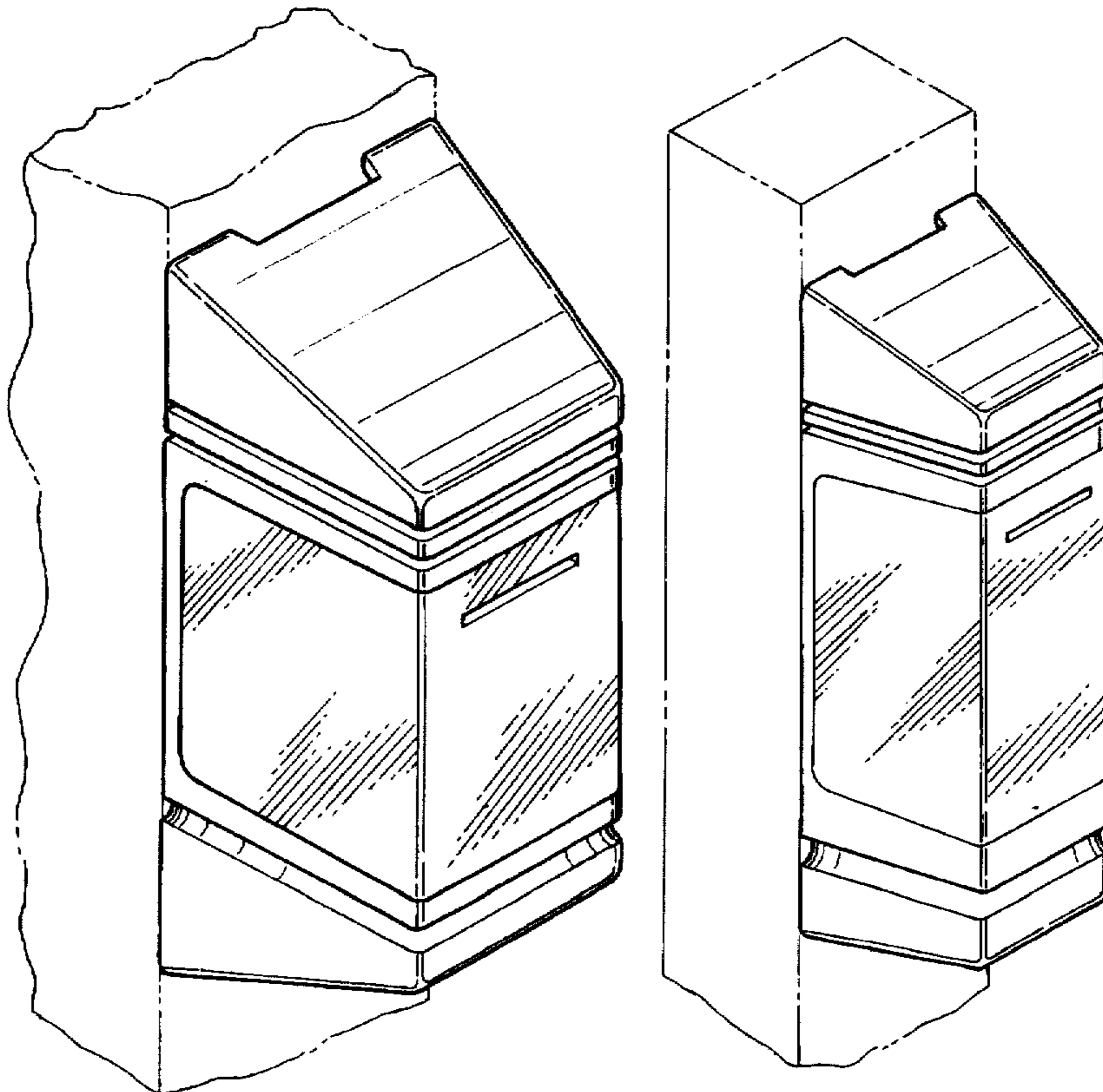
FIG. 10 is a front view of the outdoor light fixture according to FIGS. 7 through 9;

FIG. 11 is a side view of the outdoor light fixture according to FIGS. 7 through 10; and,

FIG. 12 is a rear view of the outdoor light fixture according to FIGS. 7 through 11.

The phantom lines are shown for illustrative purposes only and form no part of the claimed design.

1 Claim, 4 Drawing Sheets



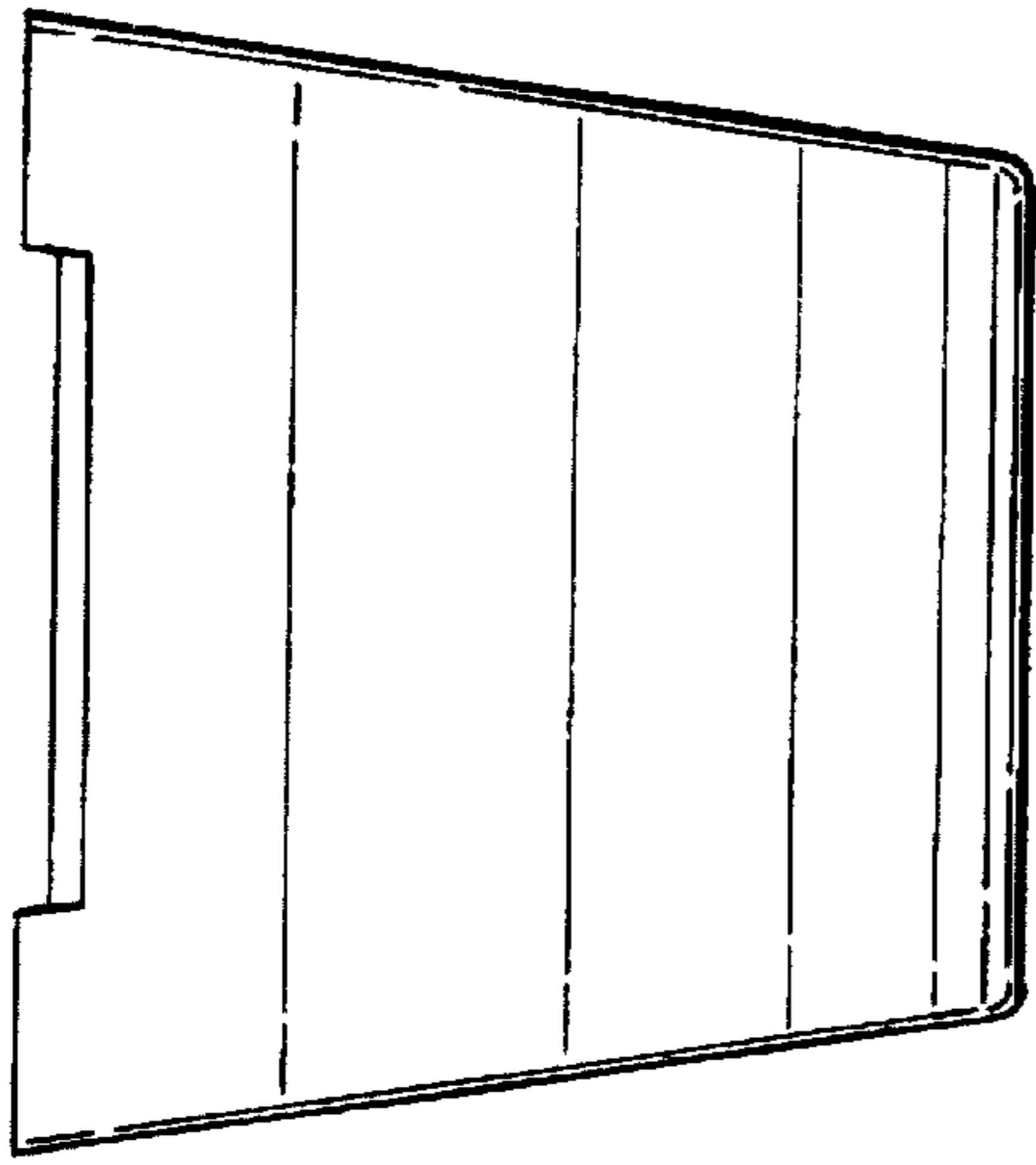


FIG-2

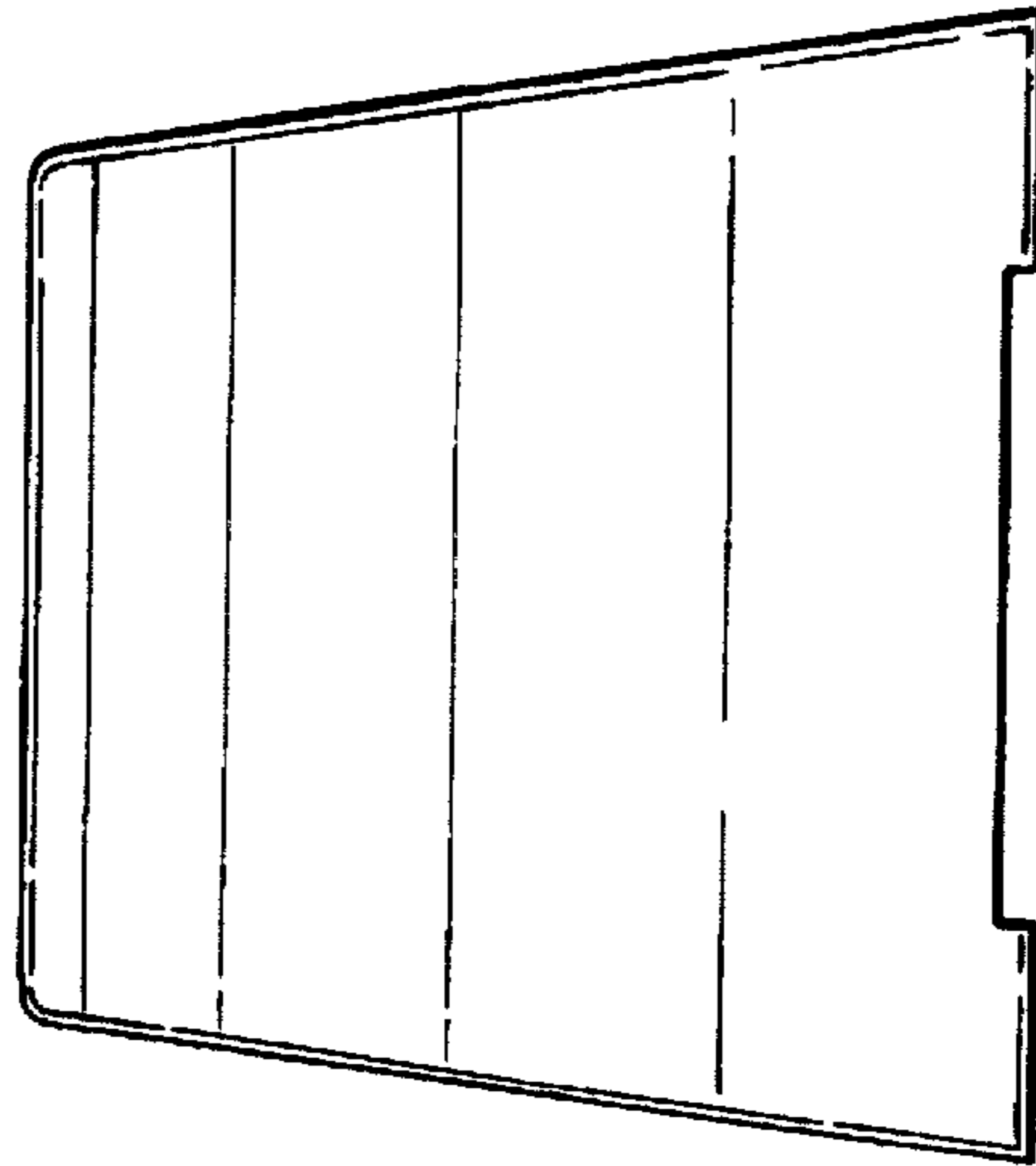


FIG-3

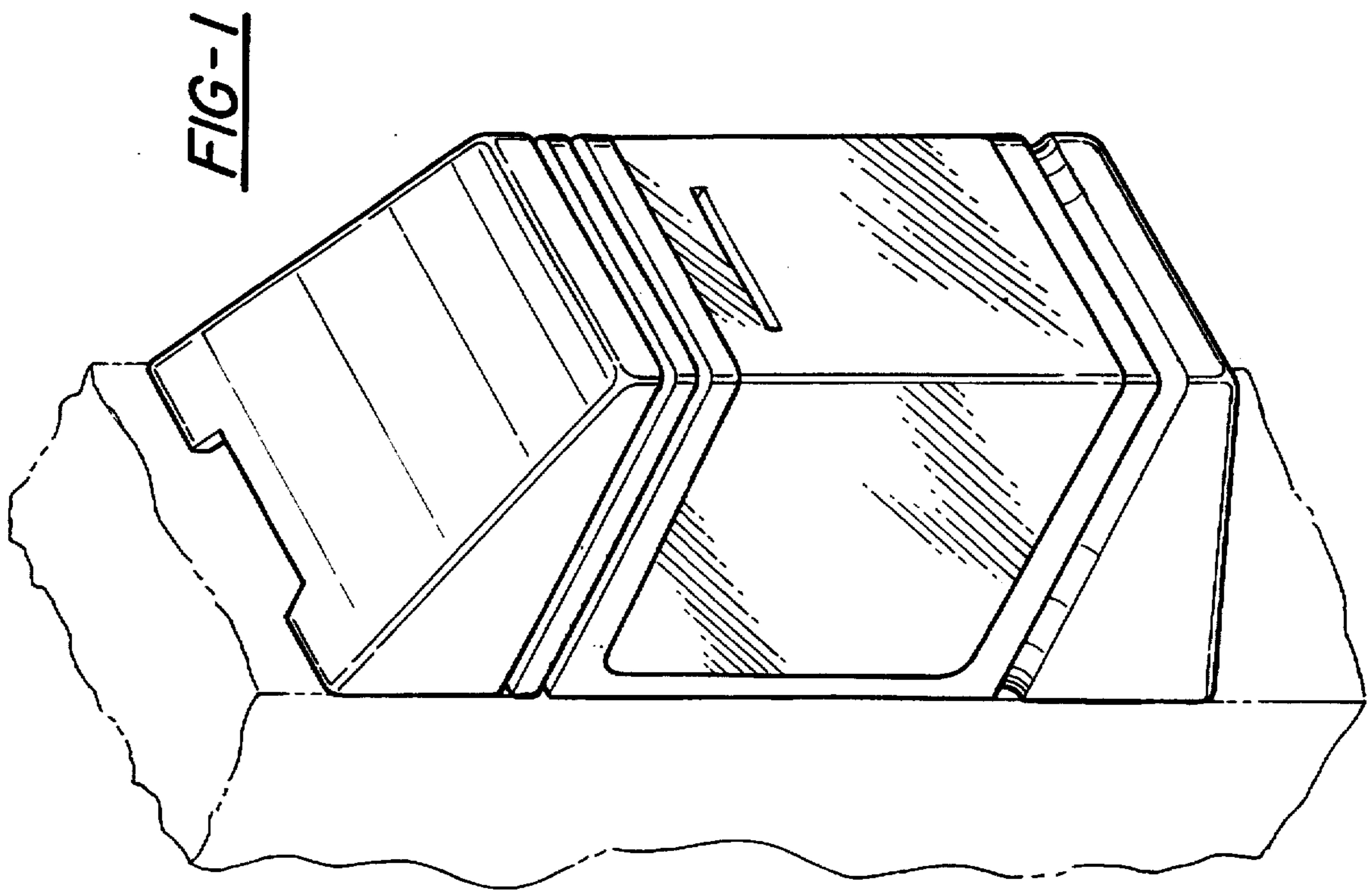


FIG-1

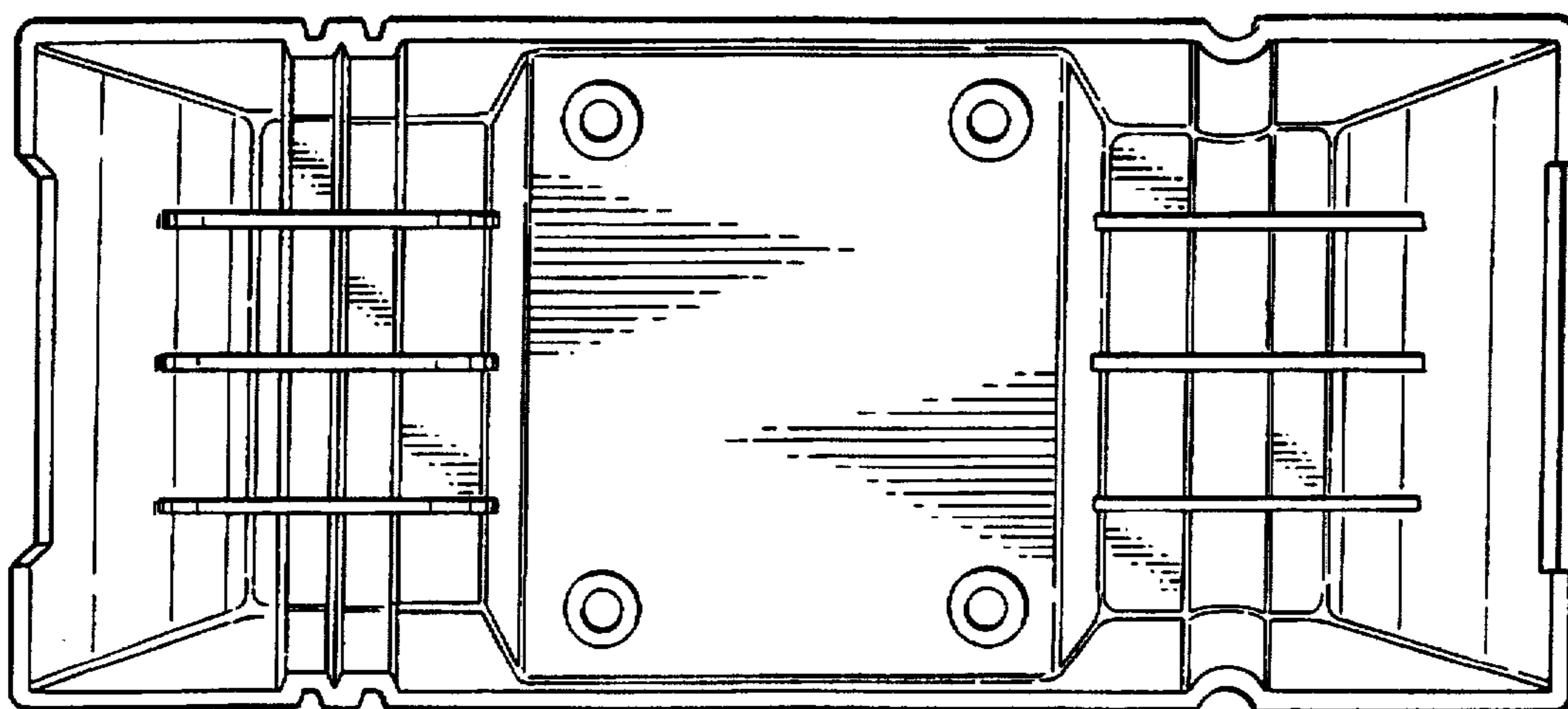


FIG-6

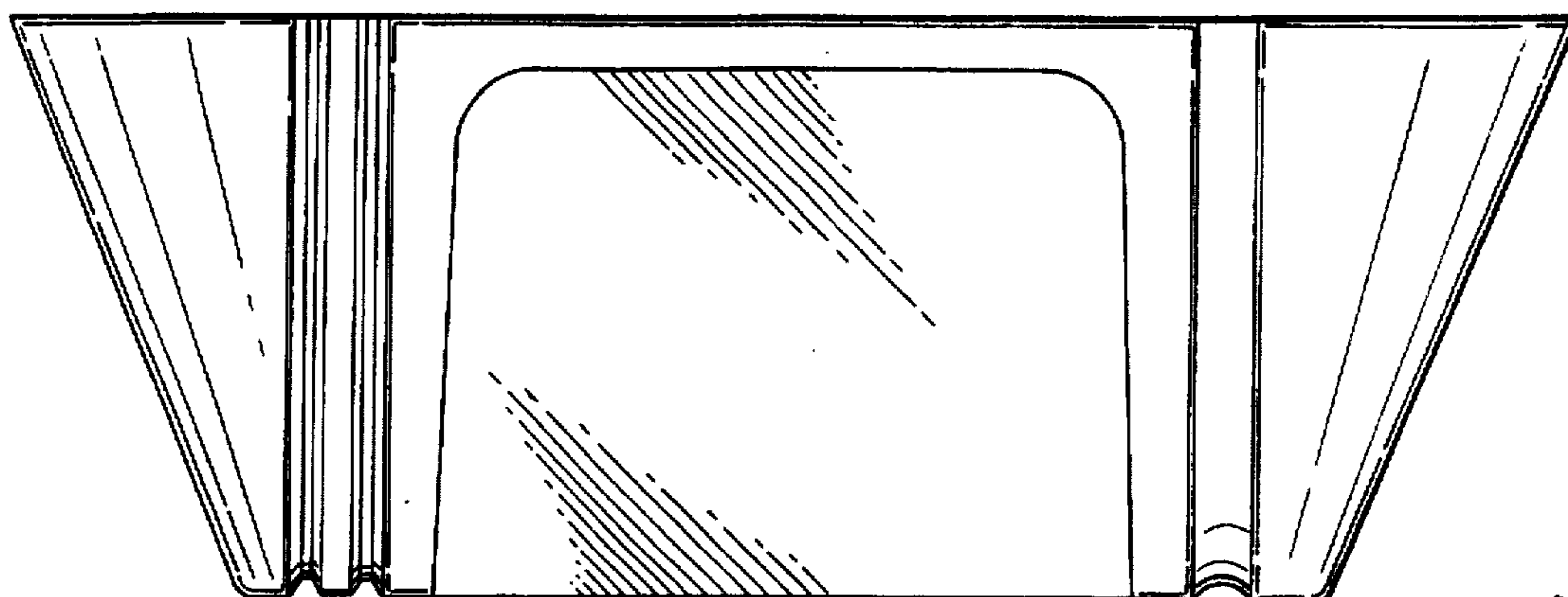


FIG-5

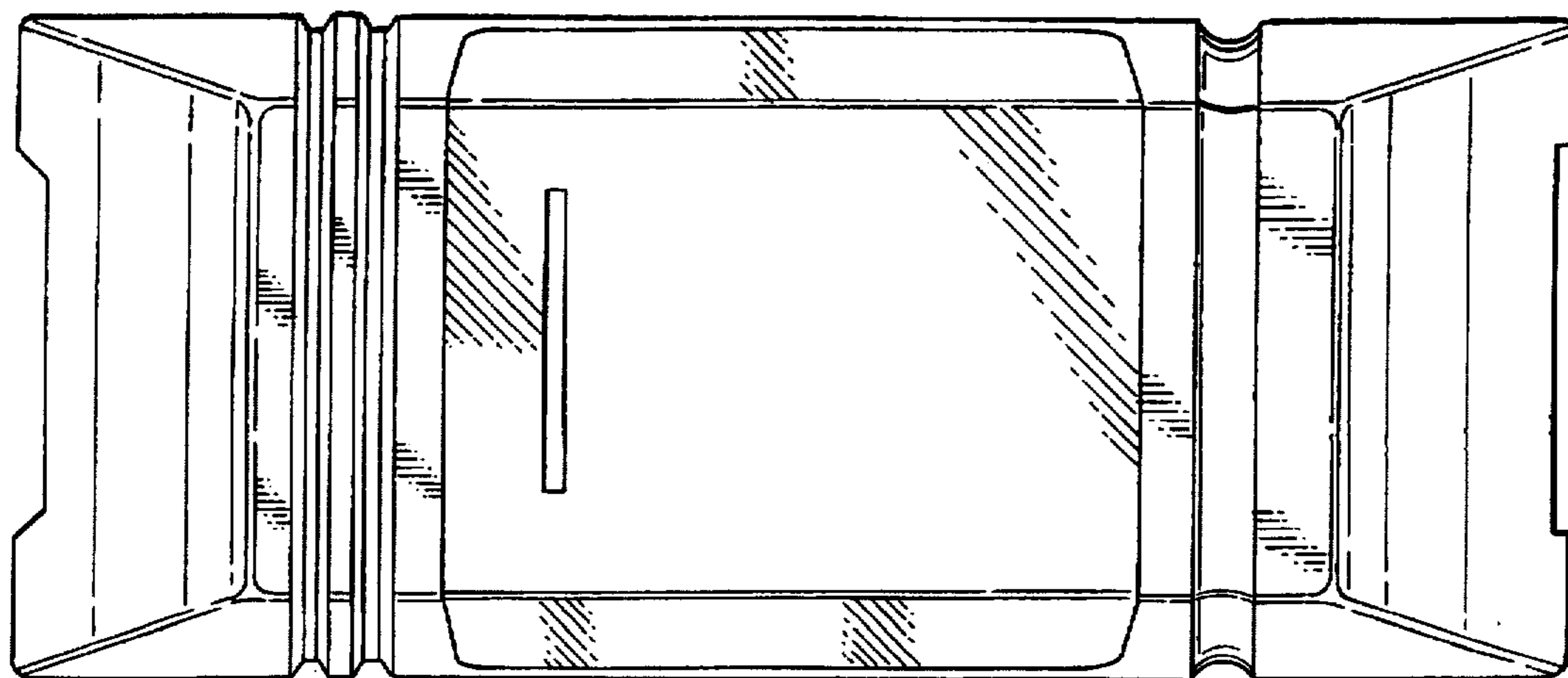
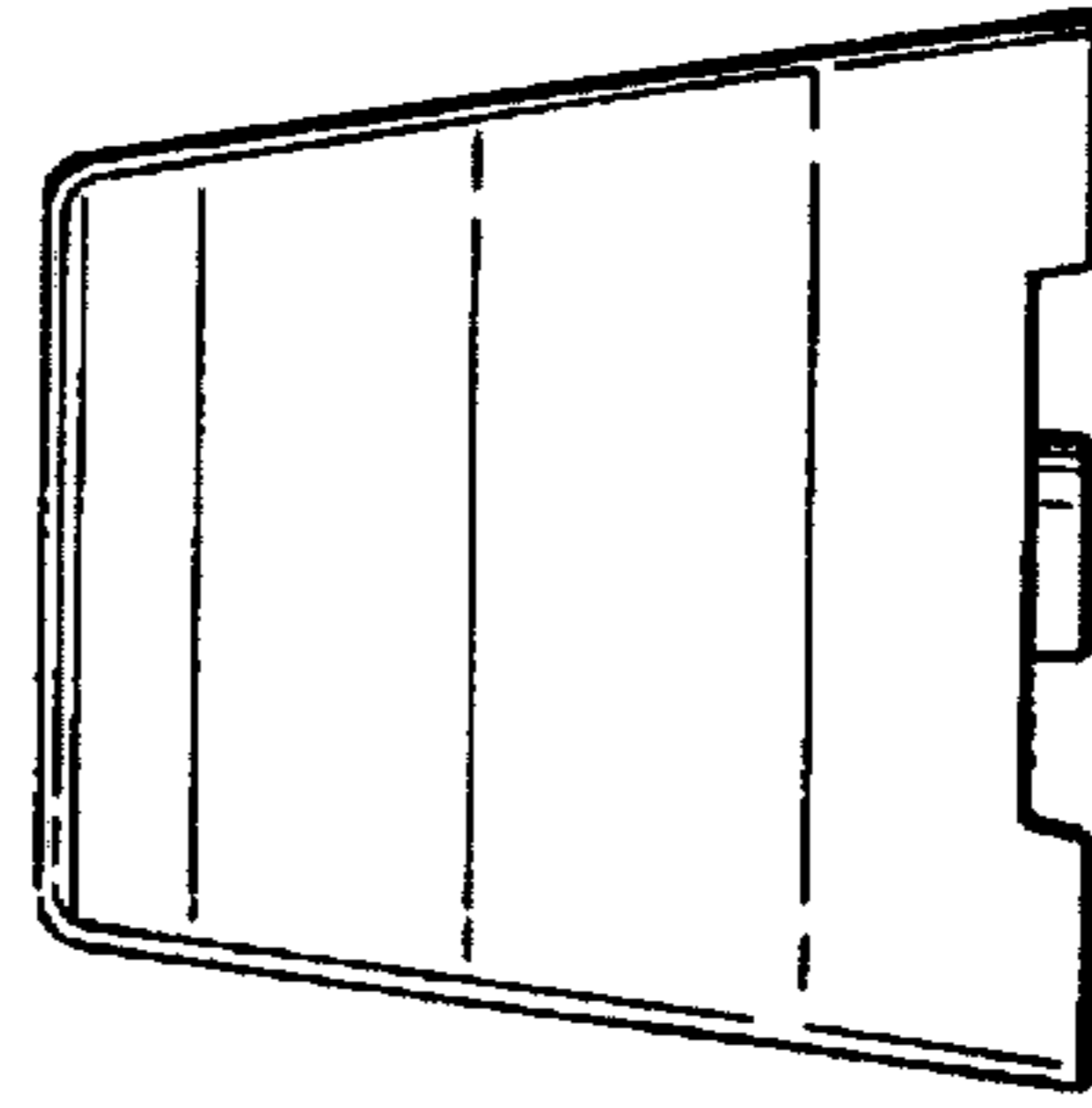
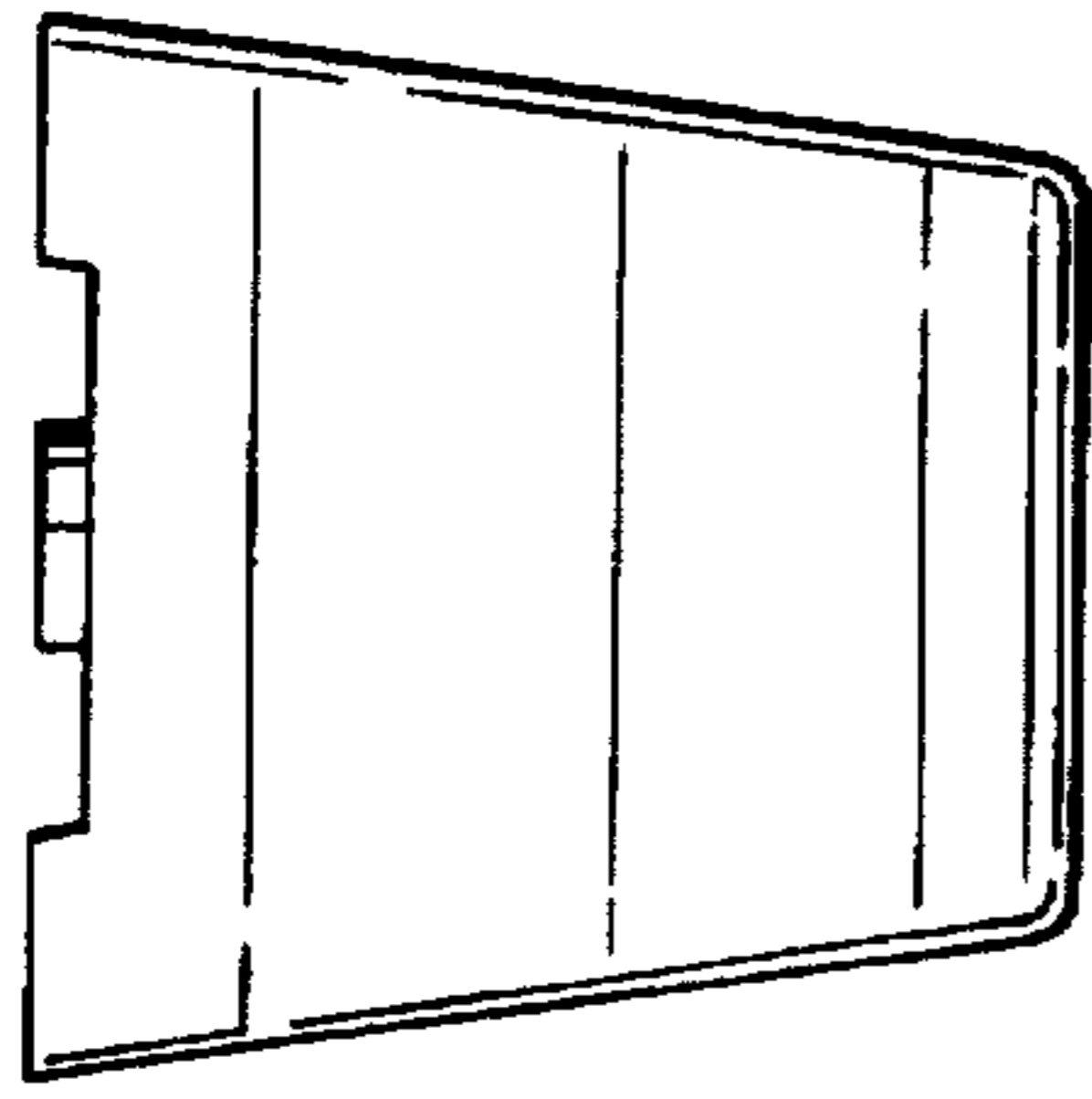
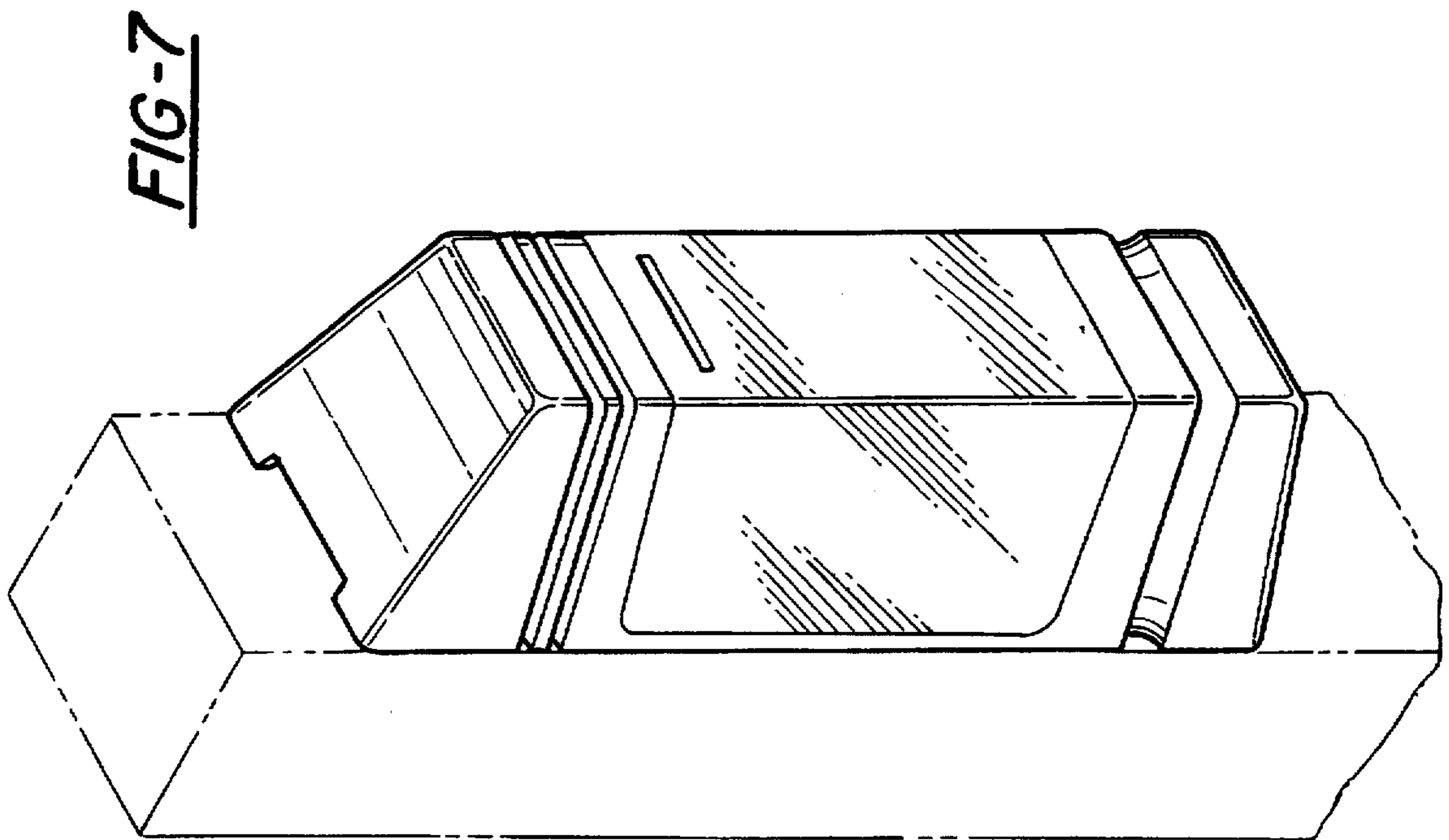


FIG-4



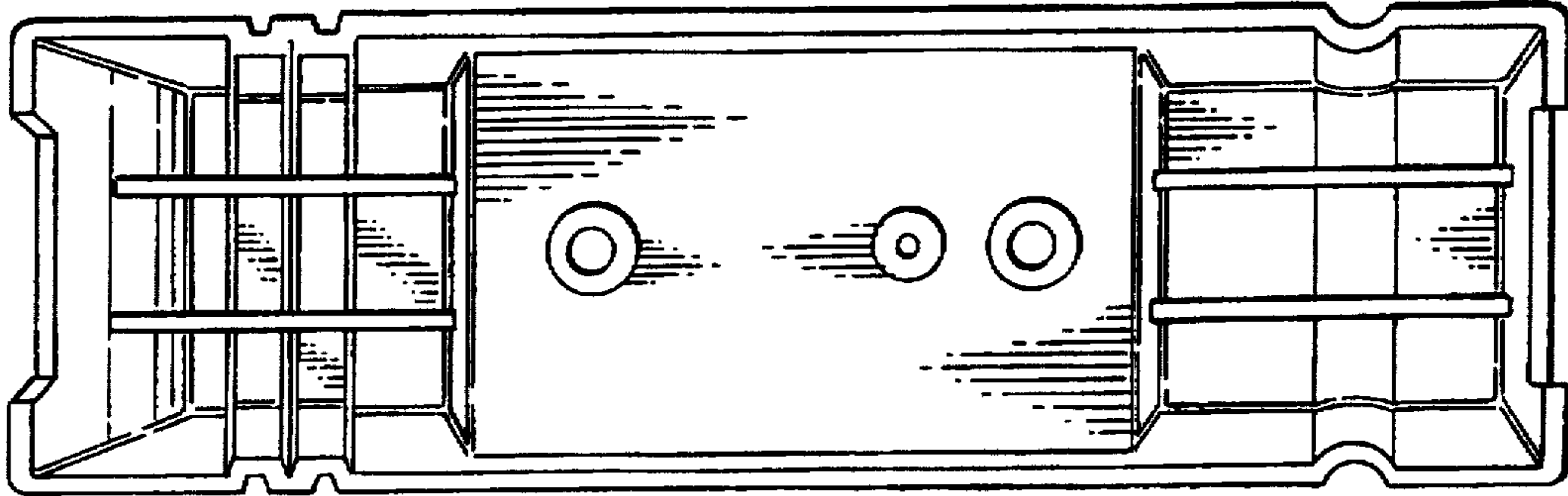


FIG-12

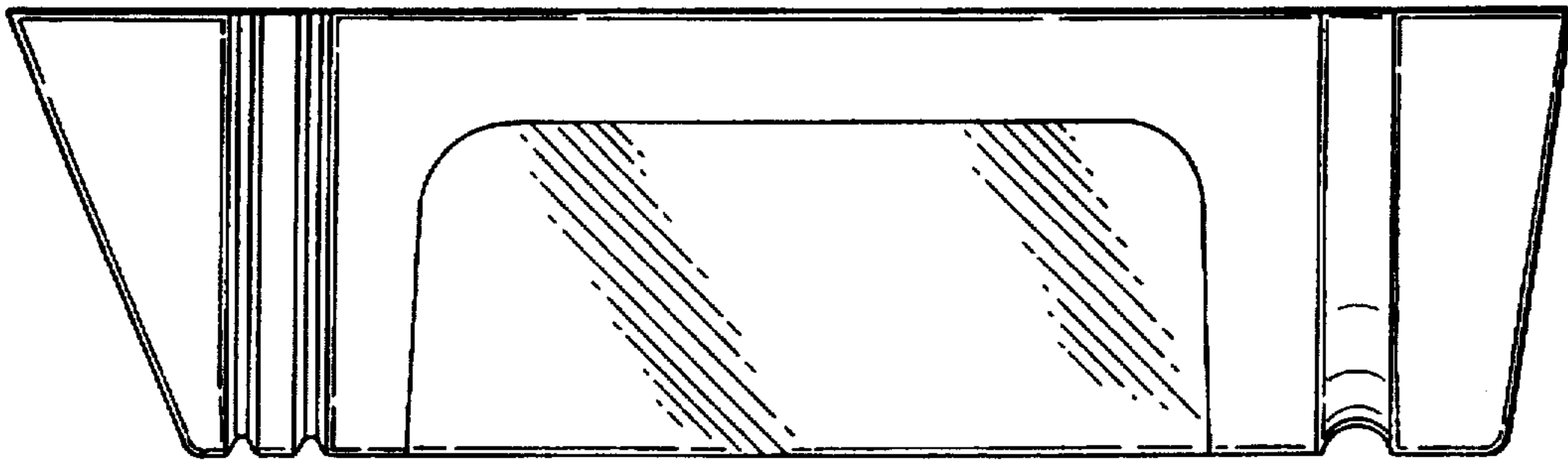


FIG-11

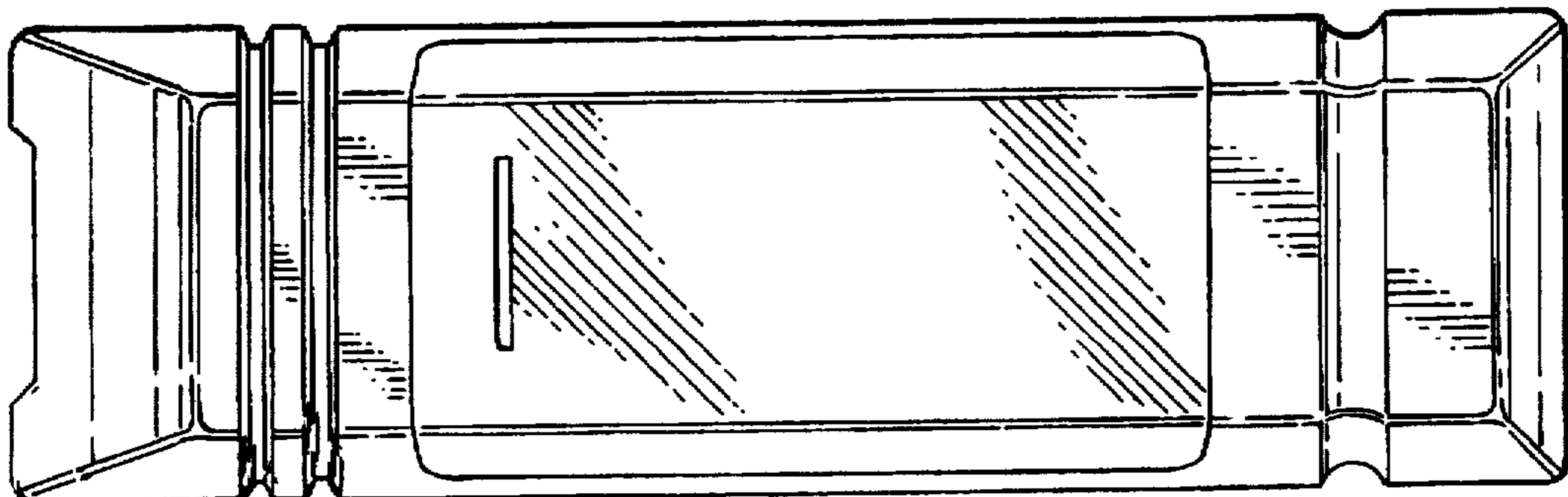


FIG-10