



US00D397480S

United States Patent [19]

Herst et al.

[11] Patent Number: **Des. 397,480**

[45] Date of Patent: ****Aug. 25, 1998**

[54] **DIRECT-INDIRECT LUMINAIRE HOUSING**

[75] Inventors: **Douglas J. Herst, Ross; Utkan Salman, Oakland, both of Calif.**

[73] Assignee: **Peerless Lighting Corporation, Berkeley, Calif.**

[**] Term: **14 Years**

[21] Appl. No.: **73,970**

[22] Filed: **Jul. 8, 1997**

Related U.S. Application Data

[63] Continuation of Ser. No. 54,873, May 23, 1996, abandoned.

[51] LOC (6) Cl. **26-05**

[52] U.S. Cl. **D26/77**

[58] Field of Search D26/24, 72, 76-78, D26/81, 85; 362/147, 218, 219, 222, 223, 224, 220

[56] References Cited

U.S. PATENT DOCUMENTS

D. 362,315 9/1995 Herst et al. D26/76

D. 363,805	10/1995	Cole, Jr.	D26/76
D. 365,651	12/1995	Herst et al.	D26/77
2,874,271	2/1959	Lipscomb	D26/77
4,351,017	9/1982	Ball	362/147

OTHER PUBLICATIONS

Peerless Catalog Brochure, "Envision", 1994.

Primary Examiner—Susan J. Lucas

Attorney, Agent, or Firm—Donald L. Beeson

[57] CLAIM

The ornamental design for a direct-indirect luminaire housing, as shown and described.

DESCRIPTION

FIG. 1 is a broken away bottom perspective view of a direct-indirect luminaire housing in accordance with our new design;

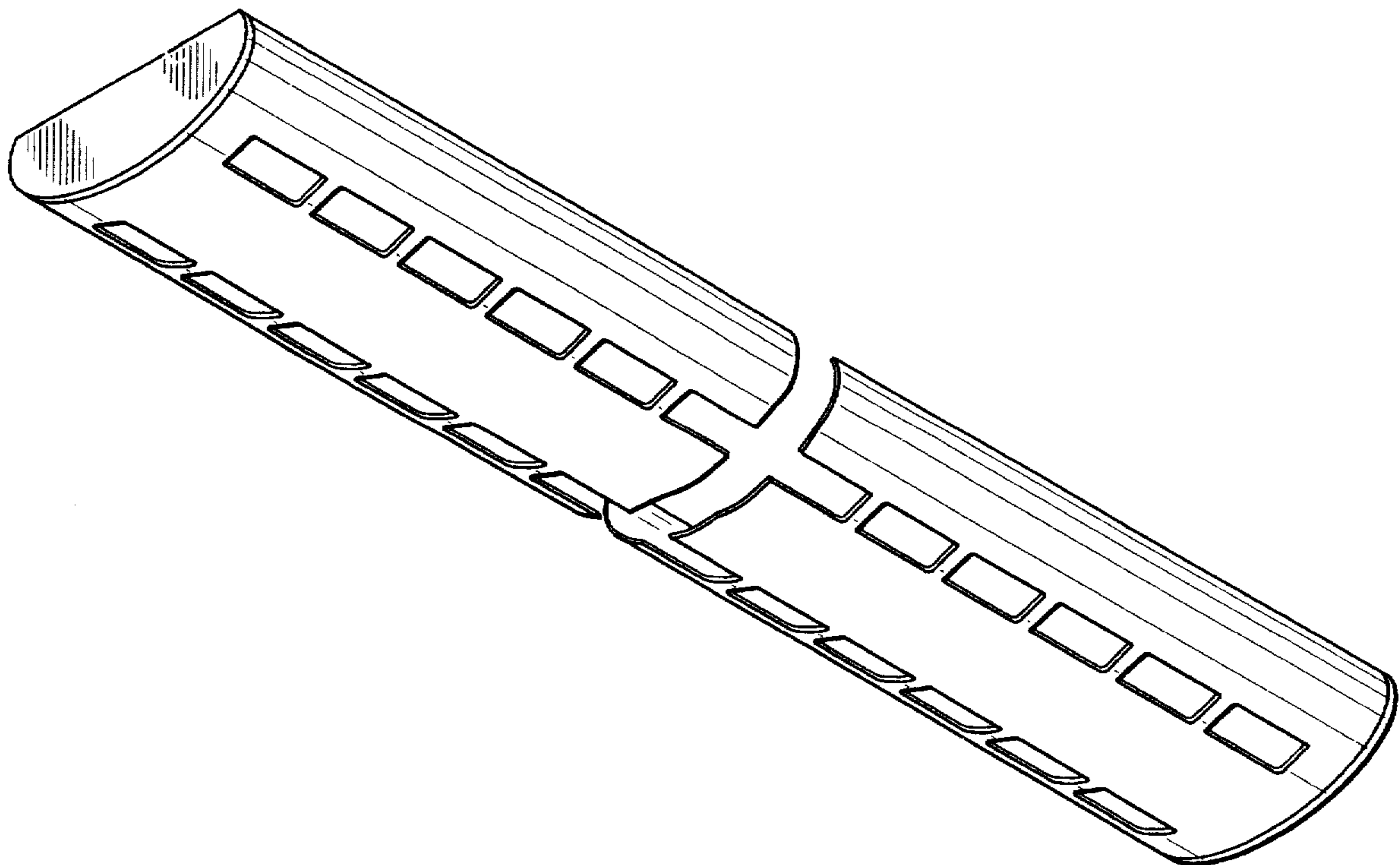
FIG. 2 is a broken away bottom plan view thereof;

FIG. 3 is a broken away front elevational view thereof, the rear being a mirror image thereof; and,

FIG. 4 is a left side elevational view thereof, the right side being a mirror image thereof.

FIGS. 1-3 are broken away to indicate indeterminate length.

1 Claim, 2 Drawing Sheets



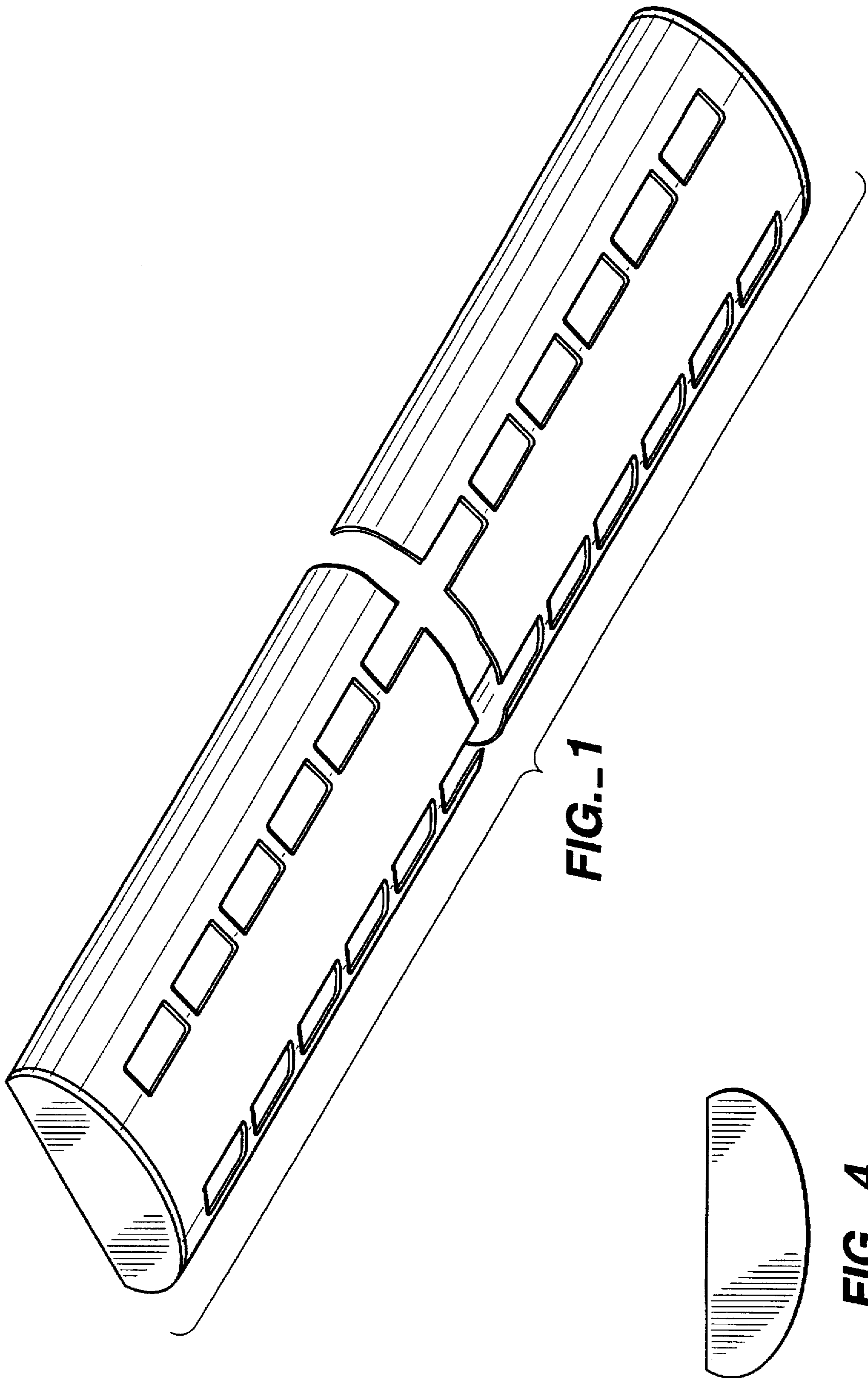


FIG.-1

FIG.-4

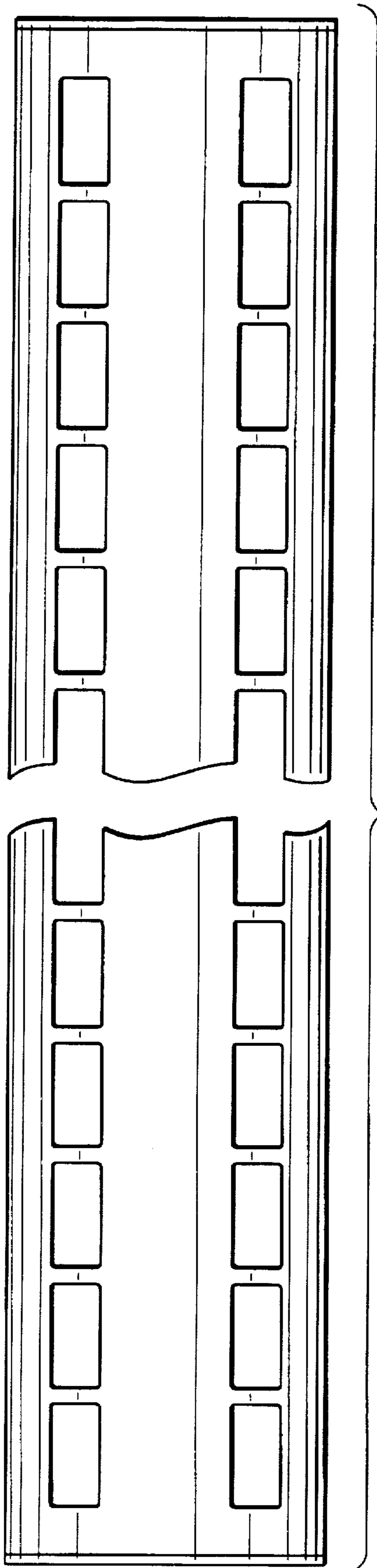


FIG. 2

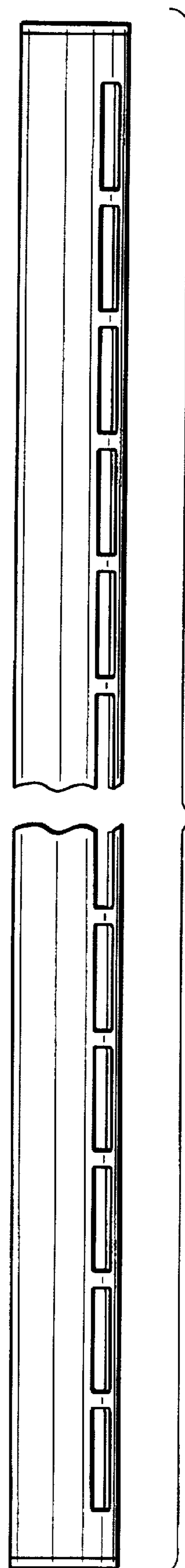


FIG. 3