

US00D397478S

United States Patent [19]
Booty, Jr.

[11] **Patent Number: Des. 397,478**
[45] **Date of Patent: **Aug. 25, 1998**

[54] **LIGHT**

5,442,528 8/1995 Vandenbelt .

[75] **Inventor: Donald J. Booty, Jr., Chicago, Ill.**

FOREIGN PATENT DOCUMENTS

[73] **Assignee: Phorm Concept & Design, Inc., Chicago, Ill.**

1207093 2/1960 France .
646733 11/1950 United Kingdom .
94/12077 6/1994 WIPO .

[**] **Term: 14 Years**

Primary Examiner—Susan J. Lucas
Attorney, Agent, or Firm—Richard C. Litman

[21] **Appl. No.: 76,309**

[57] **CLAIM**

[22] **Filed: Sep. 16, 1997**

The ornamental design for a light, as shown and described.

[51] **LOC (6) Cl. 26-05**

[52] **U.S. Cl. D26/65; D26/44; D26/63**

[58] **Field of Search D26/60, 61, 62, D26/63, 65, 44; 362/396, 269, 275, 285, 418, 419, 427, 98, 191**

DESCRIPTION

FIG. 1 is an environmental top plan view of a light in a folded position showing my new design;
FIG. 2 is a bottom plan view thereof;
FIG. 3 is a right side elevational view with the left side being a mirror image thereof;
FIG. 4 is a front elevational view thereof;
FIG. 5 is a rear elevational view thereof; and
FIG. 6 is an environmental perspective of the light in a use position.

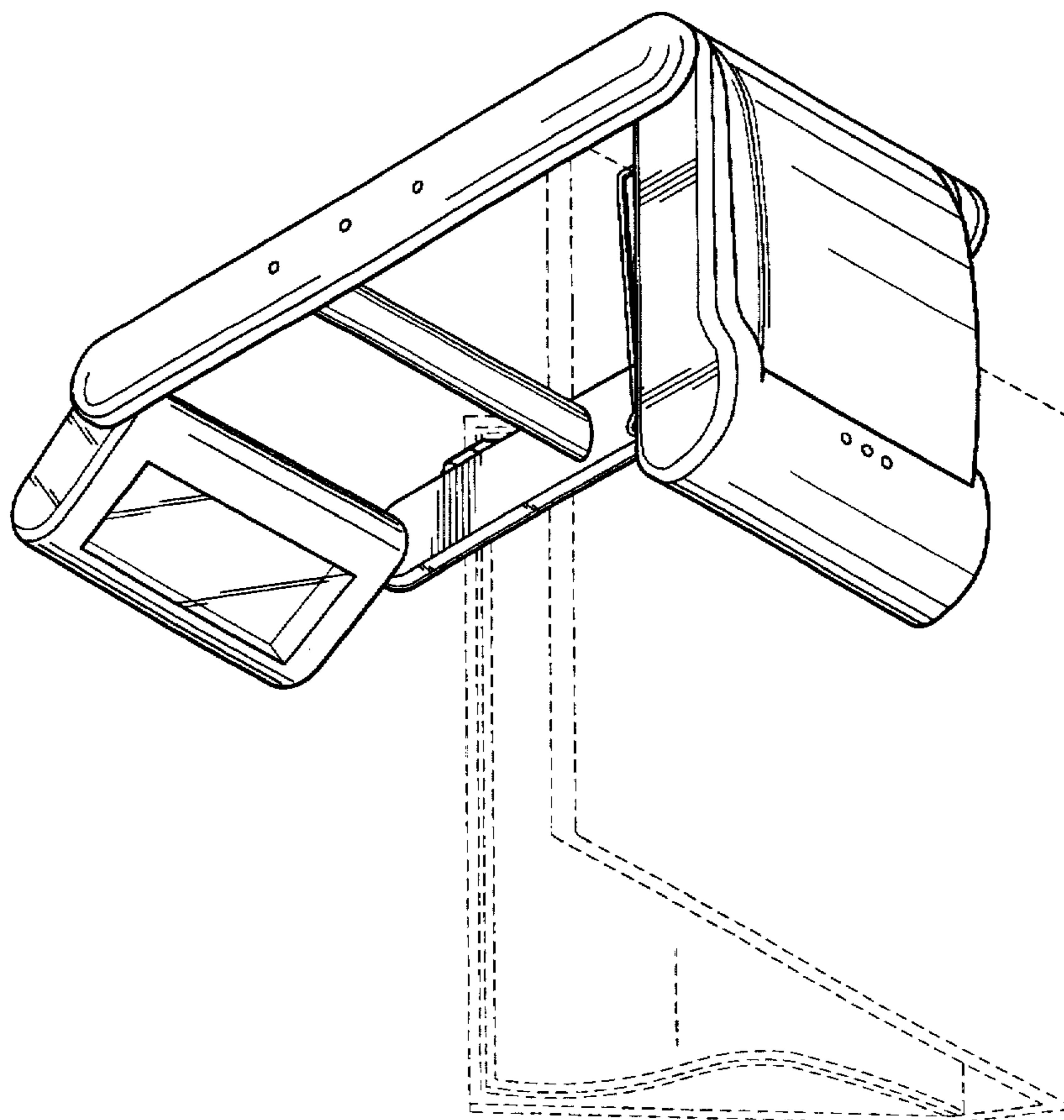
The broken line showing of the indicia on the battery cover in FIG. 1 is for illustrative purposes only, showing the types of indicia which may be used, and forms no part of the claimed design. The broken line showing of the book and pages in FIG. 6 is for illustrative purposes only and forms no part of the claimed design.

[56] **References Cited**

U.S. PATENT DOCUMENTS

D. 287,412	12/1986	Fung	D26/60
D. 364,000	11/1995	Friedman	D26/60
D. 366,337	1/1996	Yuen	D26/44
D. 374,100	9/1996	Chen	D26/60
2,561,744	7/1951	Langdon et al.	.	
4,432,042	2/1984	Zeller	.	
4,581,684	4/1986	Mazzucco	.	
4,598,340	7/1986	Dwosh et al.	362/98
5,183,324	2/1993	Thomas	.	
5,280,416	1/1994	Hartley et al.	.	
5,379,201	1/1995	Friedman	362/191

1 Claim, 2 Drawing Sheets



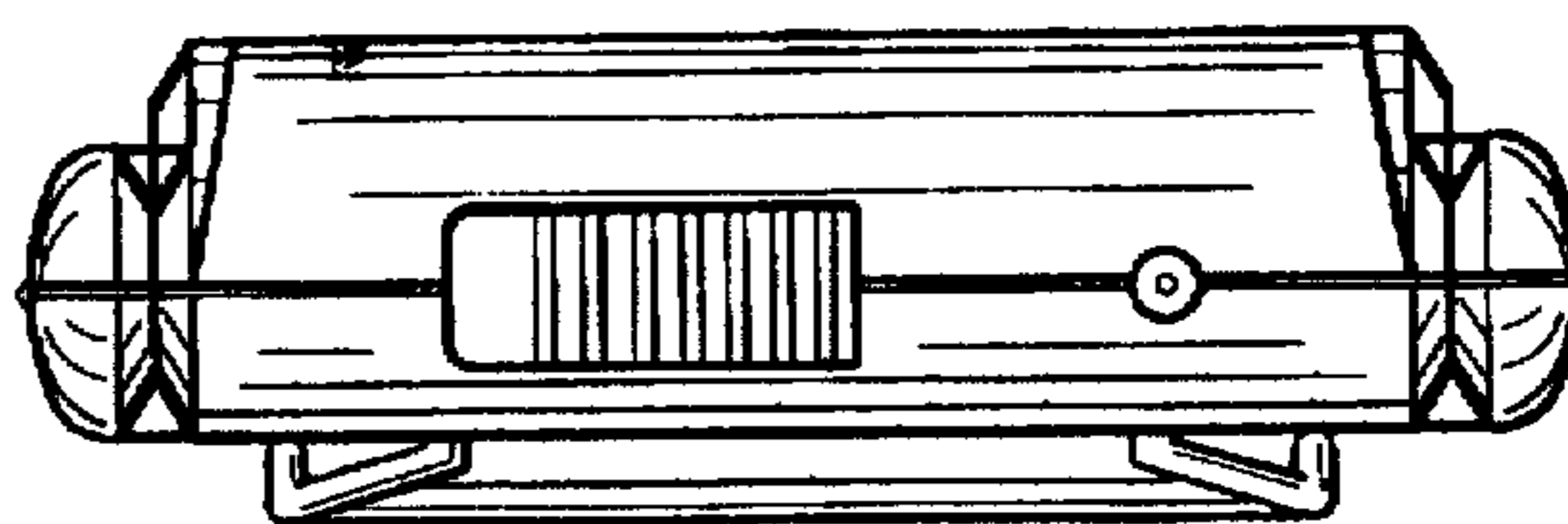


Fig. 5

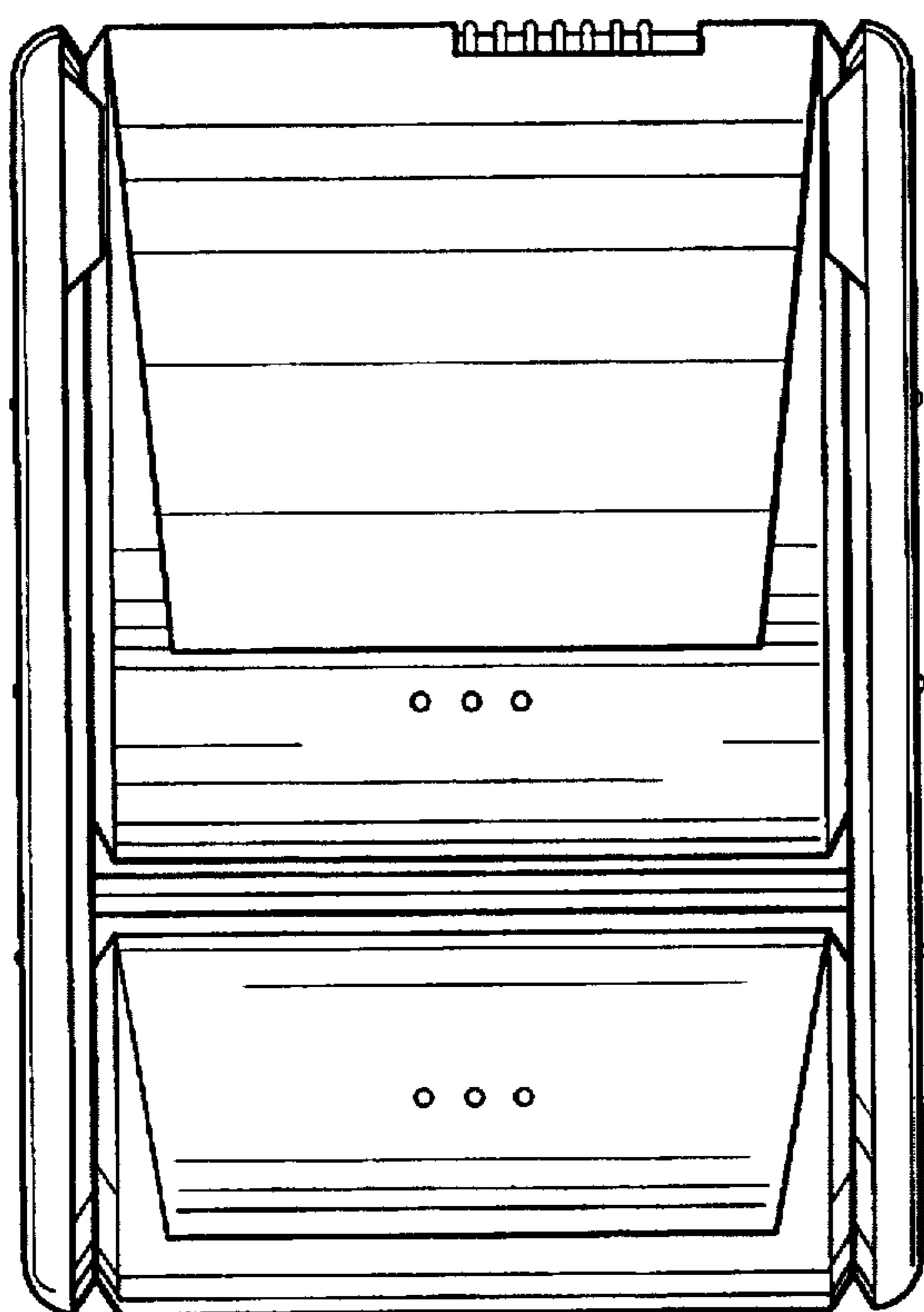


Fig. 2

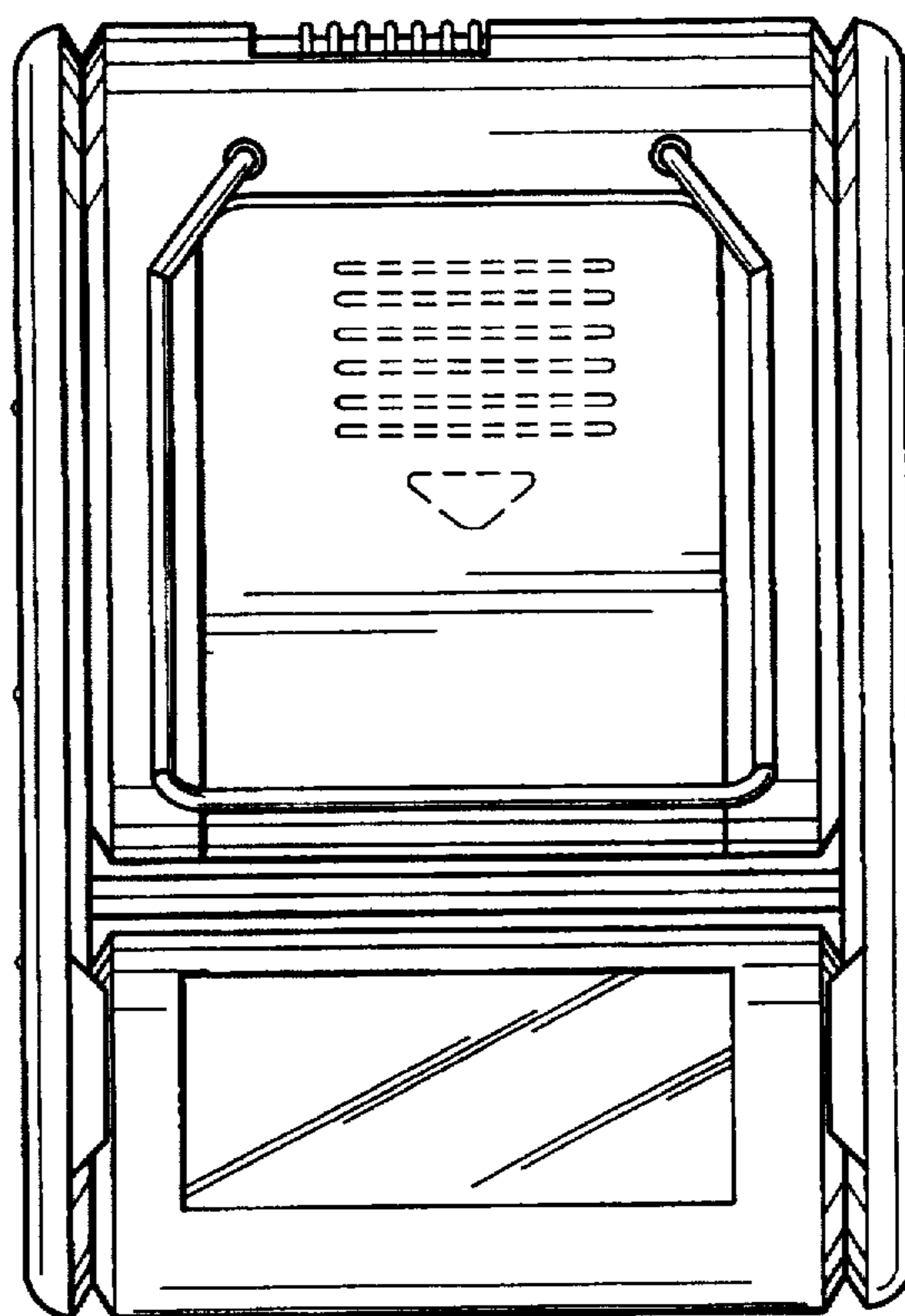


Fig. 1

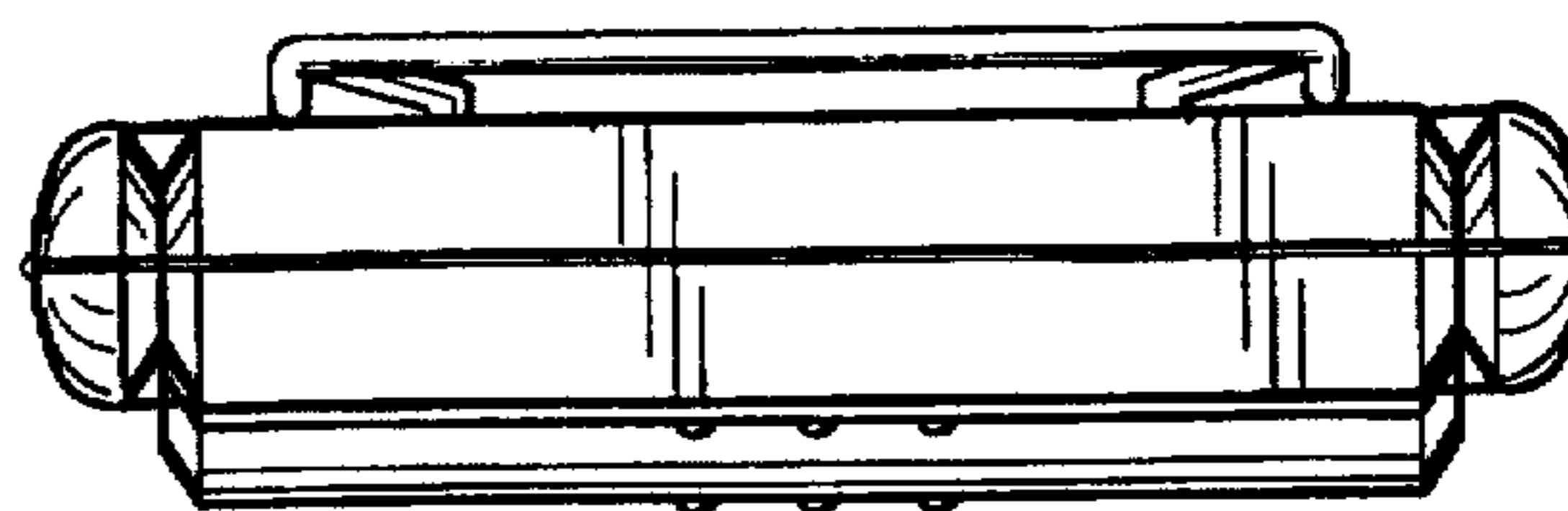


Fig. 4

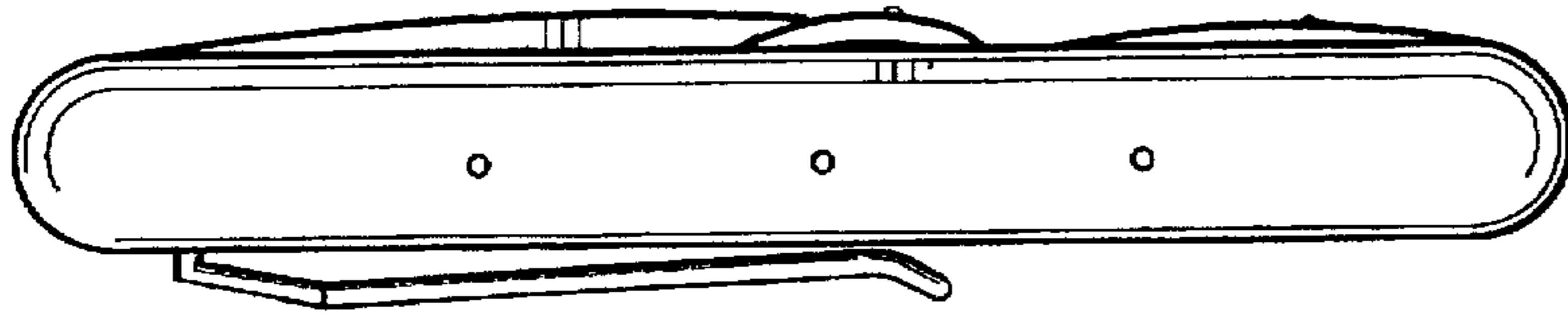


Fig. 3

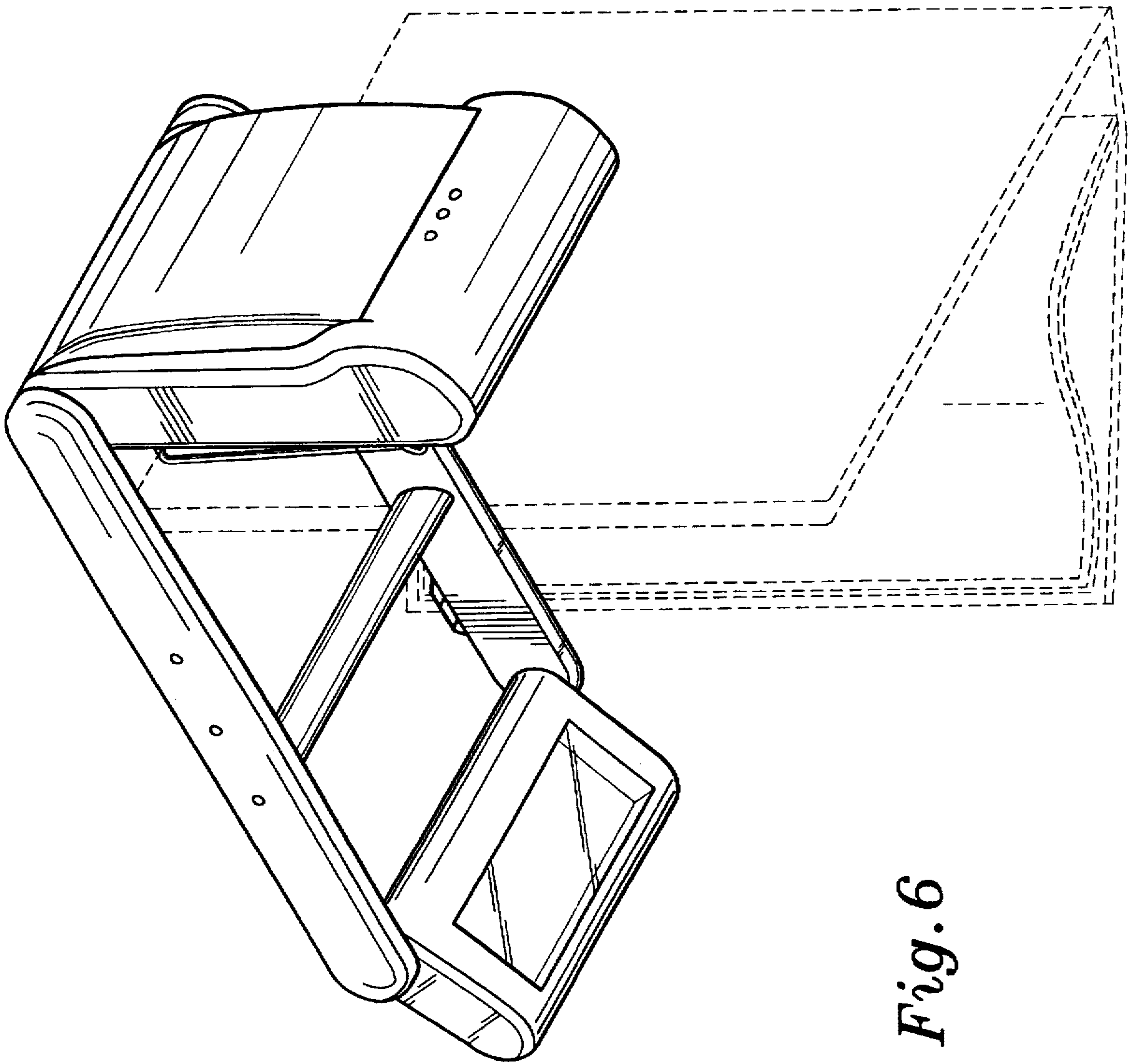


Fig. 6