



US00D397476S

# United States Patent [19] Gween

[11] Patent Number: **Des. 397,476**

[45] Date of Patent: **\*\*Aug. 25, 1998**

[54] **COMBINED LAMP AND FLOWER HOLDER**

5,063,485 11/1991 Harris ..... 362/122

[76] Inventor: **David T. Gween**, 9940 Norwalk Rd.,  
Litchfield, Ohio 44253

### FOREIGN PATENT DOCUMENTS

405023053 A 2/1993 Japan ..... 47/66.6

[\*\*] Term: **14 Years**

*Primary Examiner*—Susan J. Lucas  
*Attorney, Agent, or Firm*—Walker & Jocke; David R. Percio

[21] Appl. No.: **65,510**

### [57] CLAIM

[22] Filed: **Jan. 27, 1997**

The ornamental design for a combined lamp and flower holder, as shown and described.

[51] LOC (6) Cl. .... **26-05**

[52] U.S. Cl. .... **D26/55; D11/144; D11/152**

[58] Field of Search ..... D26/93, 102-112,  
D26/94, 101, 55; 362/410-414, 121, 122,  
123, 806; D11/143, 144, 153, 154, 152

### DESCRIPTION

FIG. 1 is front perspective view of a combined lamp and flower holder showing my new design; FIG. 2 is a side elevational view showing my new design; FIG. 3 is a top view thereof; and, FIG. 4 is a bottom view thereof.

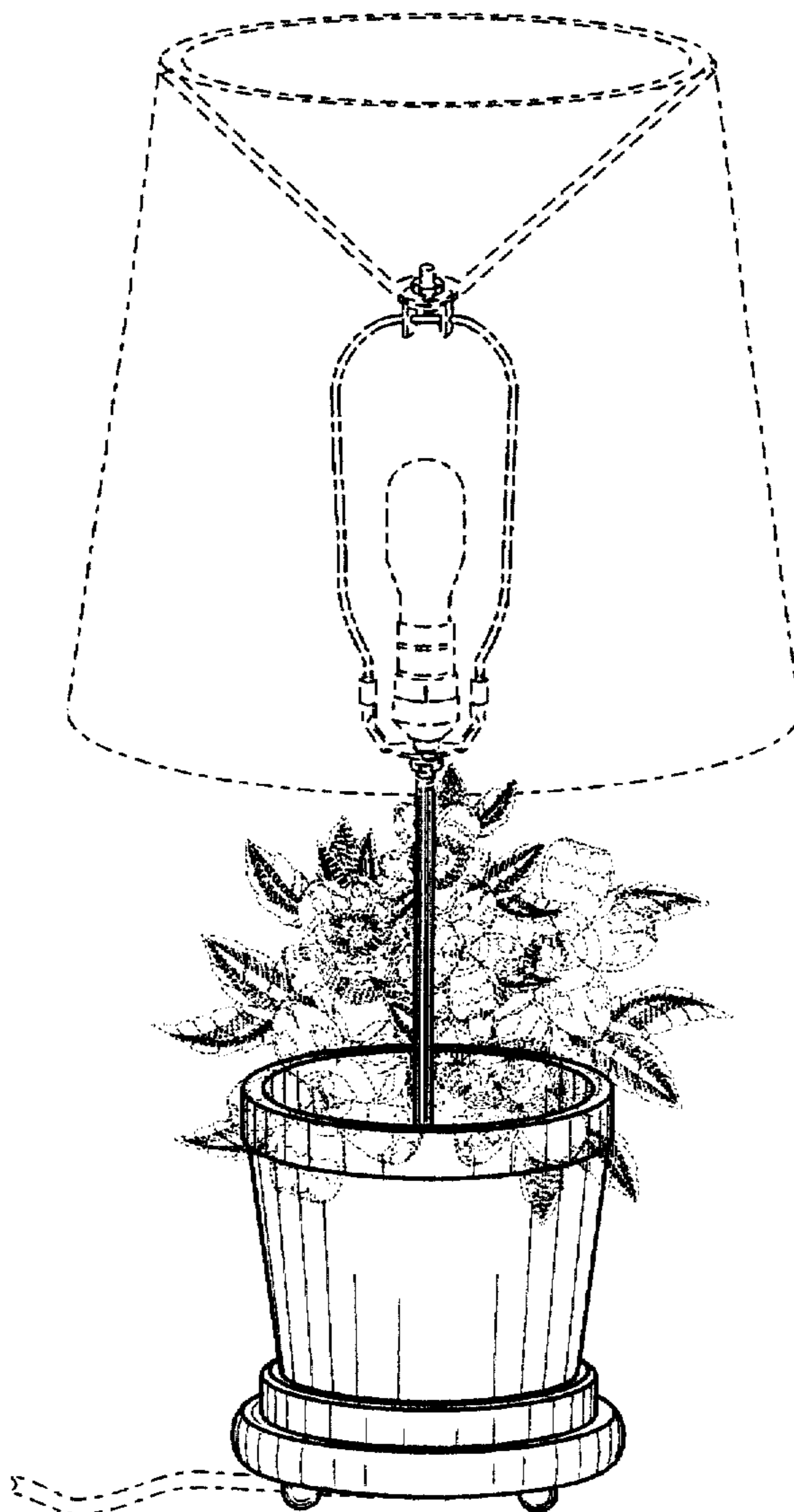
The broken line showings of a lamp shade, shade holder, bulb, socket, cord and flowers are for illustrative purposes only and forms no part of the claimed design.

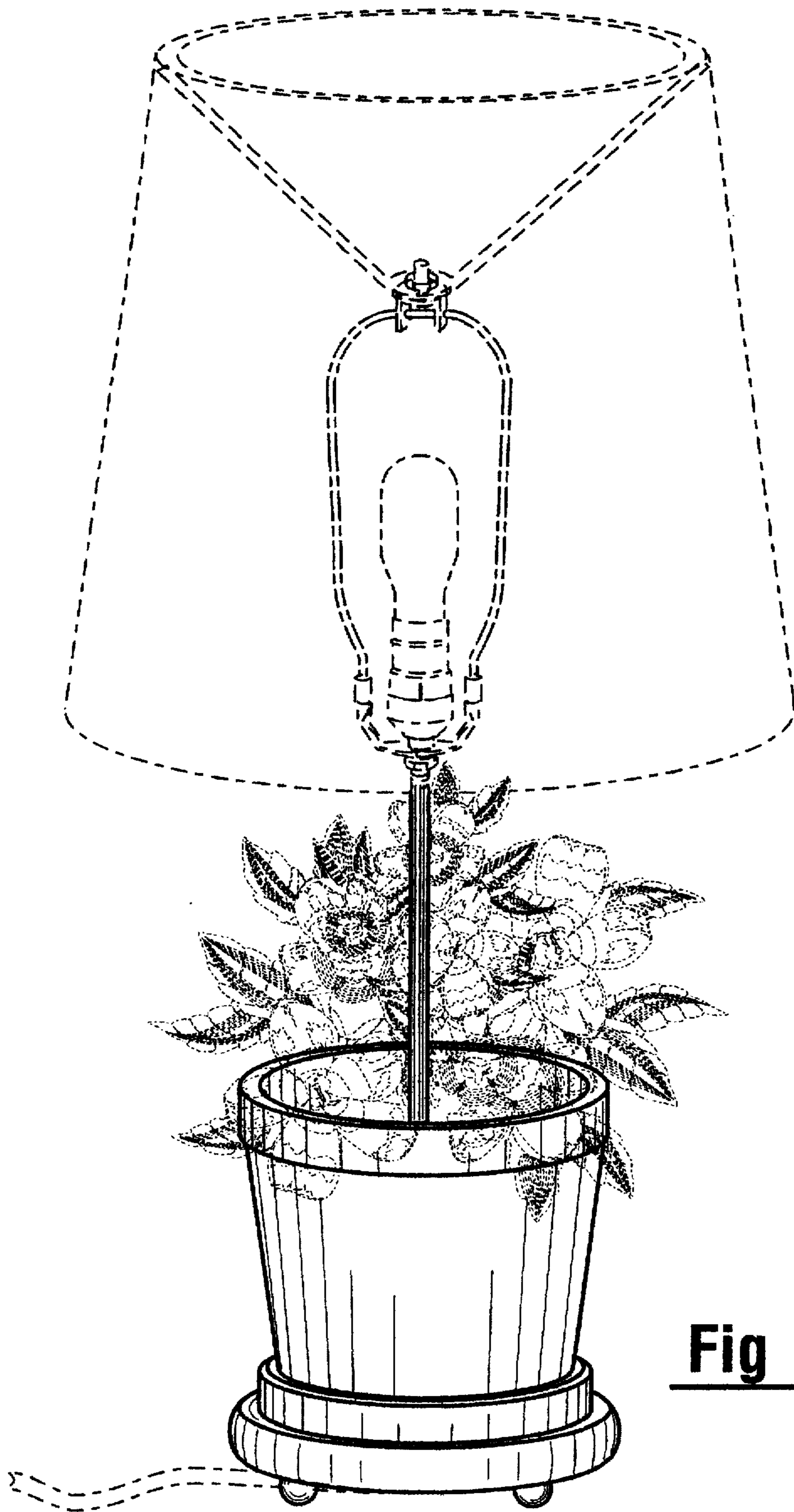
### [56] References Cited

#### U.S. PATENT DOCUMENTS

- |            |        |                |       |         |   |
|------------|--------|----------------|-------|---------|---|
| D. 198,040 | 4/1964 | Bonham         | ..... | D11/152 | X |
| D. 234,489 | 3/1975 | Shaw           | ..... | D11/153 | X |
| D. 279,717 | 7/1985 | Mau et al.     | ..... | D26/55  | X |
| 1,419,152  | 6/1922 | Lansing et al. | ..... | 47/66.6 |   |

**1 Claim, 4 Drawing Sheets**





**Fig 1**

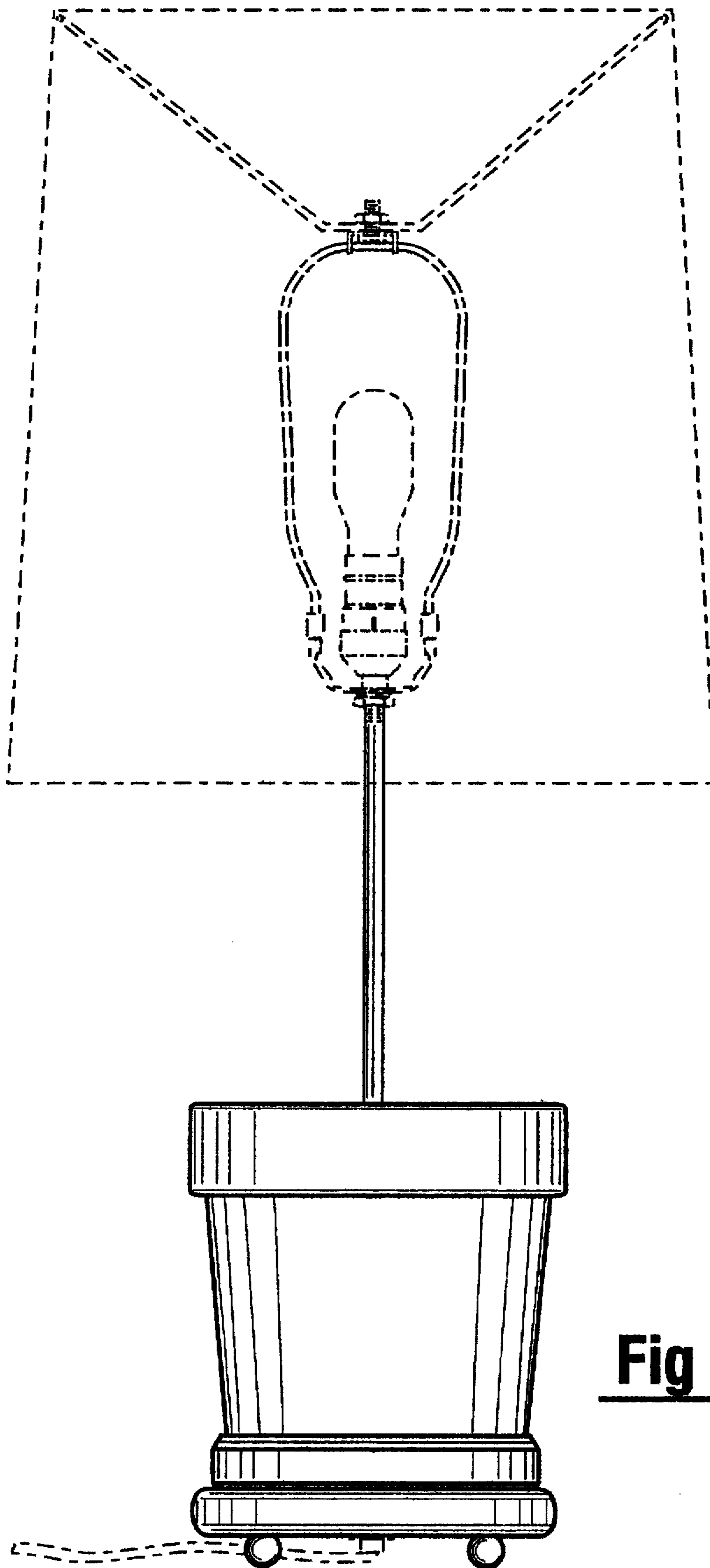


Fig 2

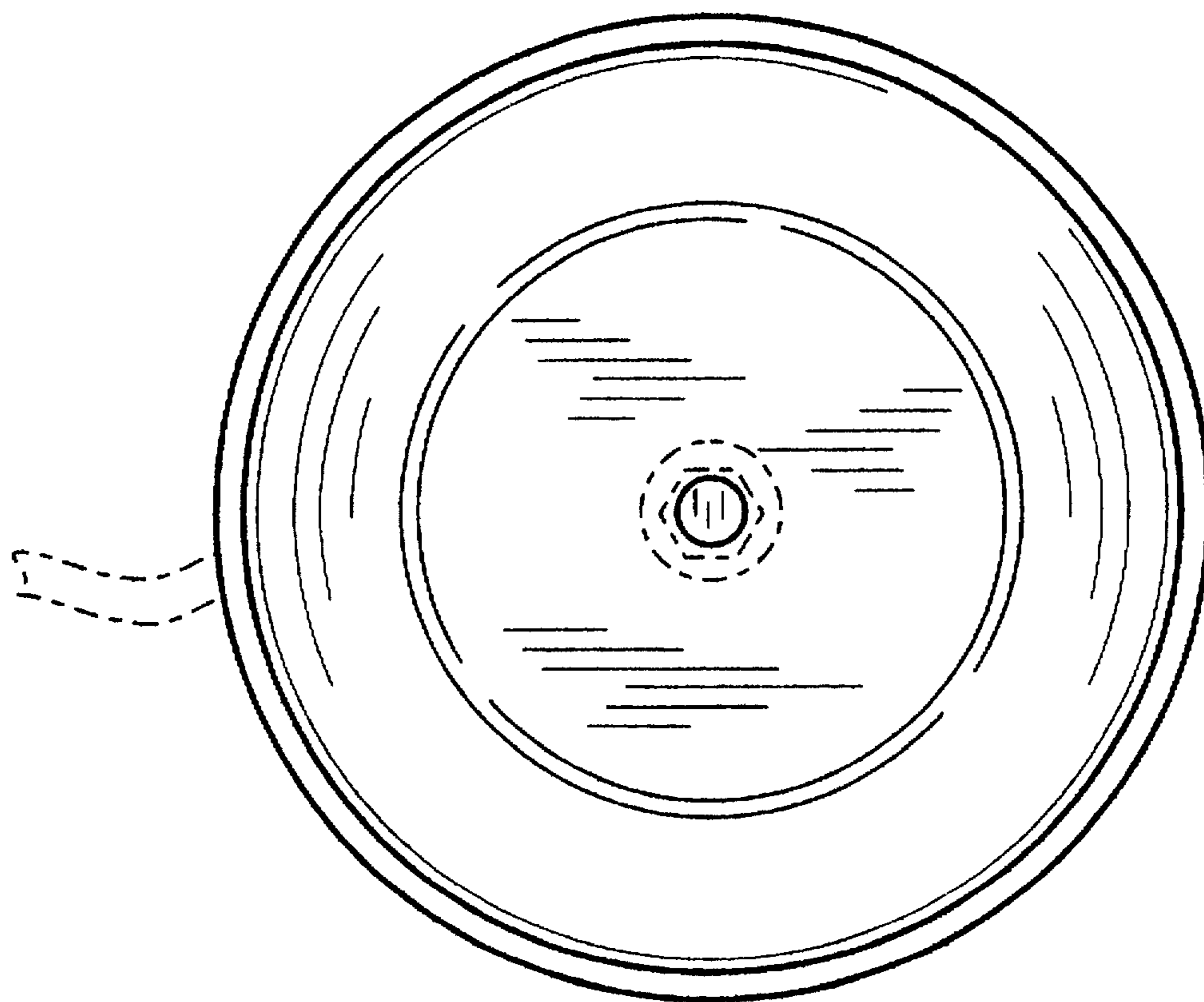


Fig 3

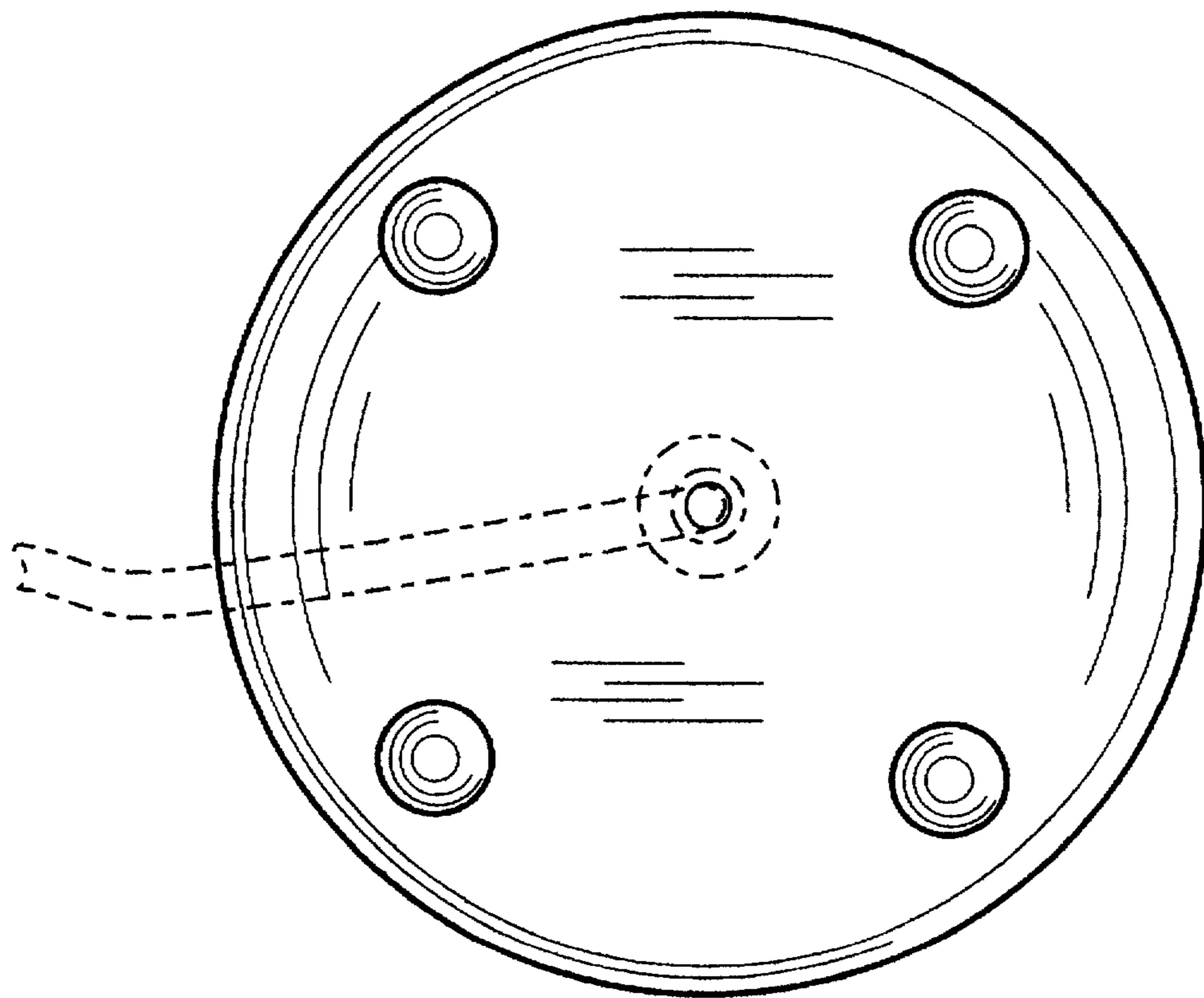


Fig 4