

US00D397475S

# United States Patent [19] Jacobs

[11] Patent Number: **Des. 397,475**

[45] Date of Patent: **\*\*Aug. 25, 1998**

[54] ROADWAY LIGHT FOR VEHICLES

4,860,177 8/1989 Simms ..... D26/28  
5,181,774 1/1993 Lane ..... 362/72

[76] Inventor: **Christopher G. Jacobs**, 1137 Fort View Pl., Cincinnati, Ohio 45202

*Primary Examiner*—Marcus A. Jackson  
*Attorney, Agent, or Firm*—Jim Blackwood, Esq.

[\*\*] Term: **14 Years**

[57] **CLAIM**

[21] Appl. No.: **45,127**

The ornamental design for a roadway light for vehicles, shown and described.

[22] Filed: **Oct. 10, 1995**

**DESCRIPTION**

[51] LOC (6) Cl. .... **26-06**

[52] U.S. Cl. .... **D26/28**

[58] Field of Search ..... D26/28-35; 362/61, 362/82, 83, 83.3, 72, 80, 80.1, 157, 158, 183-202; D10/109, 114; 40/1

FIG. 1 is a left side elevational view of a roadway light for vehicles showing may new design, with the opposite side being a mirror image;

FIG. 2 is a reduced front elevational view thereof, with the broken line showing for illustrative purposes only and forming no part of the claimed design;

FIG. 3 is a rear elevational view thereof; and,

FIG. 4 is an enlarge perspective view thereof.

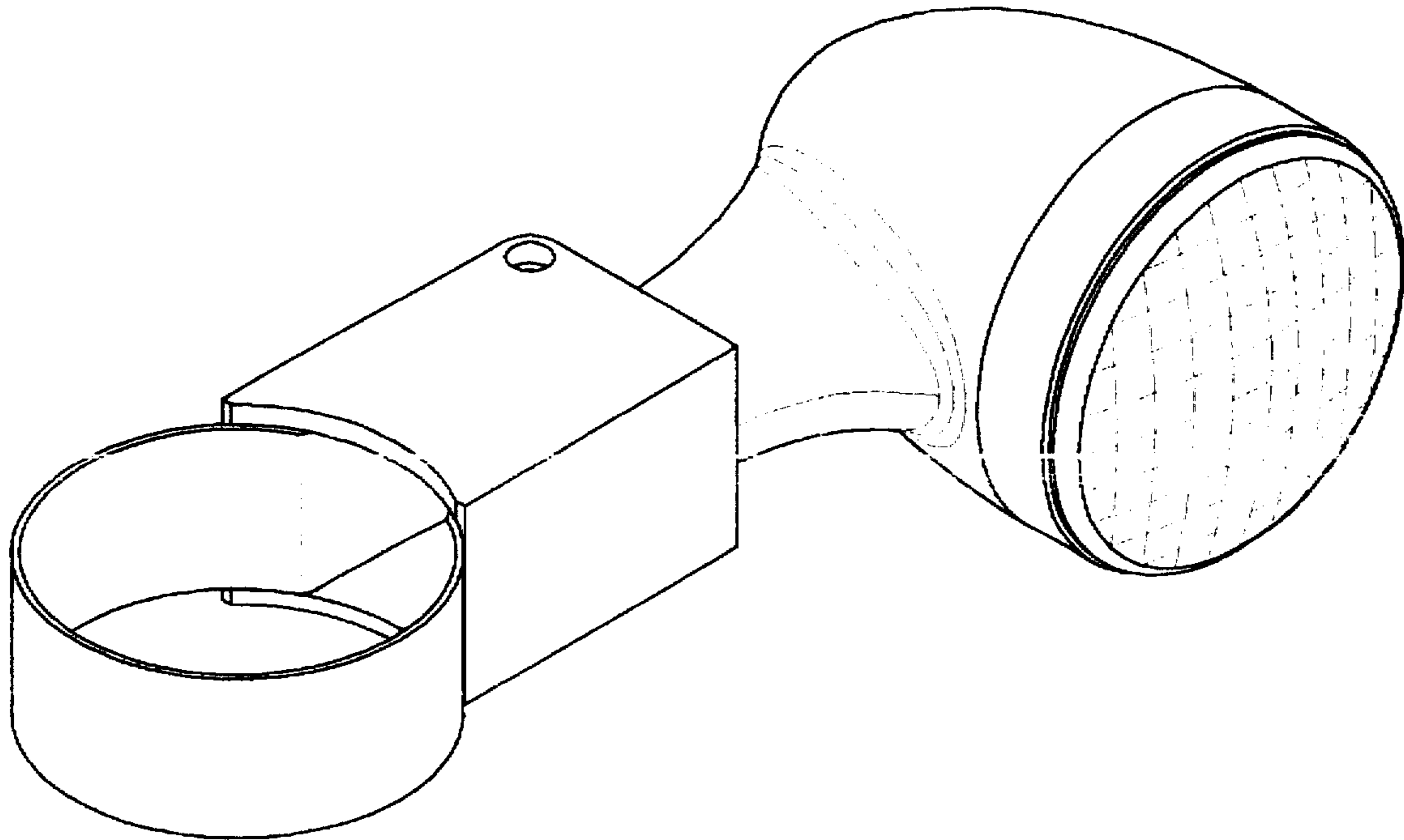
Any broken line, illustration contained within the drawing disclosure is for illustrative purposes only, and is not a part of the design sought to be patented.

[56] **References Cited**

**U.S. PATENT DOCUMENTS**

D. 276,468	11/1984	Preisler et al. ....	D26/28
D. 376,662	12/1996	Ambrosio .....	D26/28
D. 377,225	1/1997	Bedrosian et al. ....	D26/28
3,246,136	4/1966	Cheng .....	D26/28
4,420,803	12/1983	Stabel et al. ....	362/369

**1 Claim, 4 Drawing Sheets**



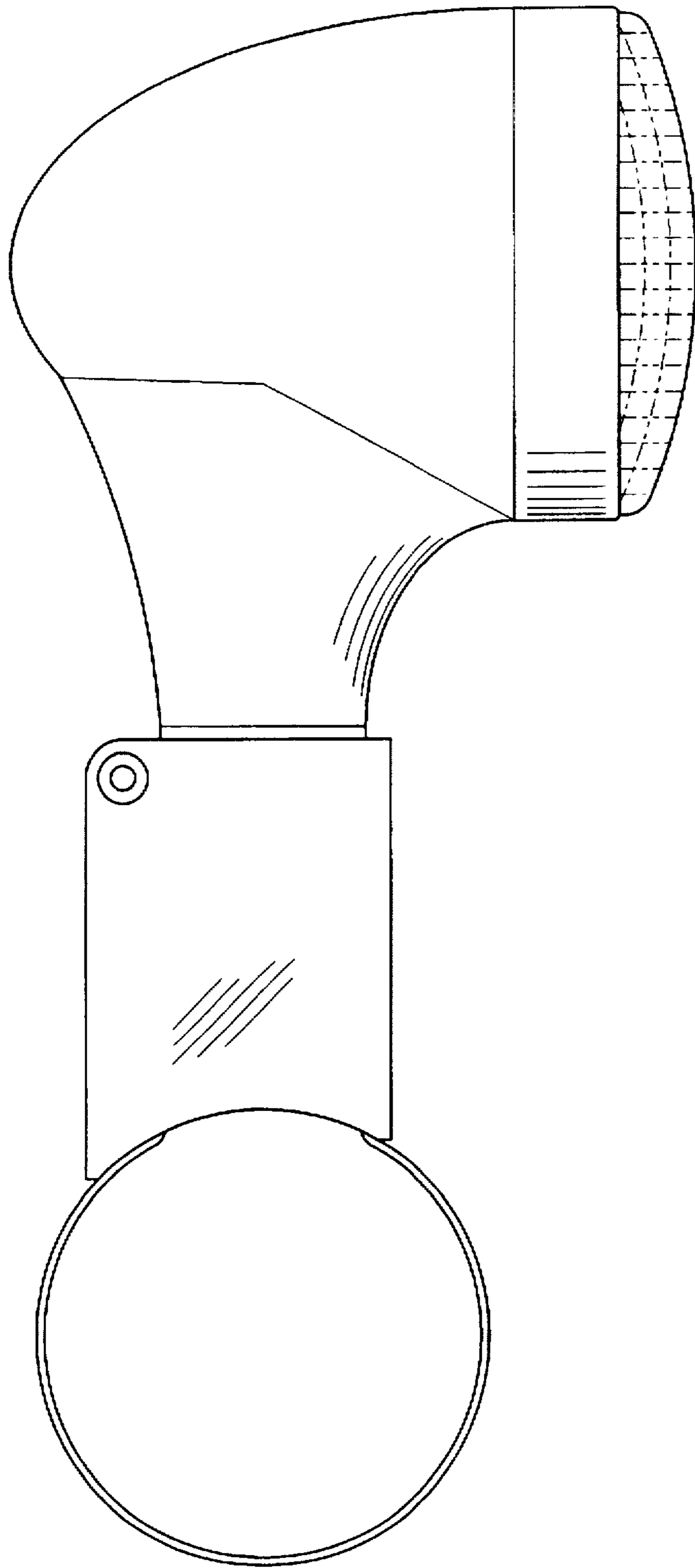


FIG. 1

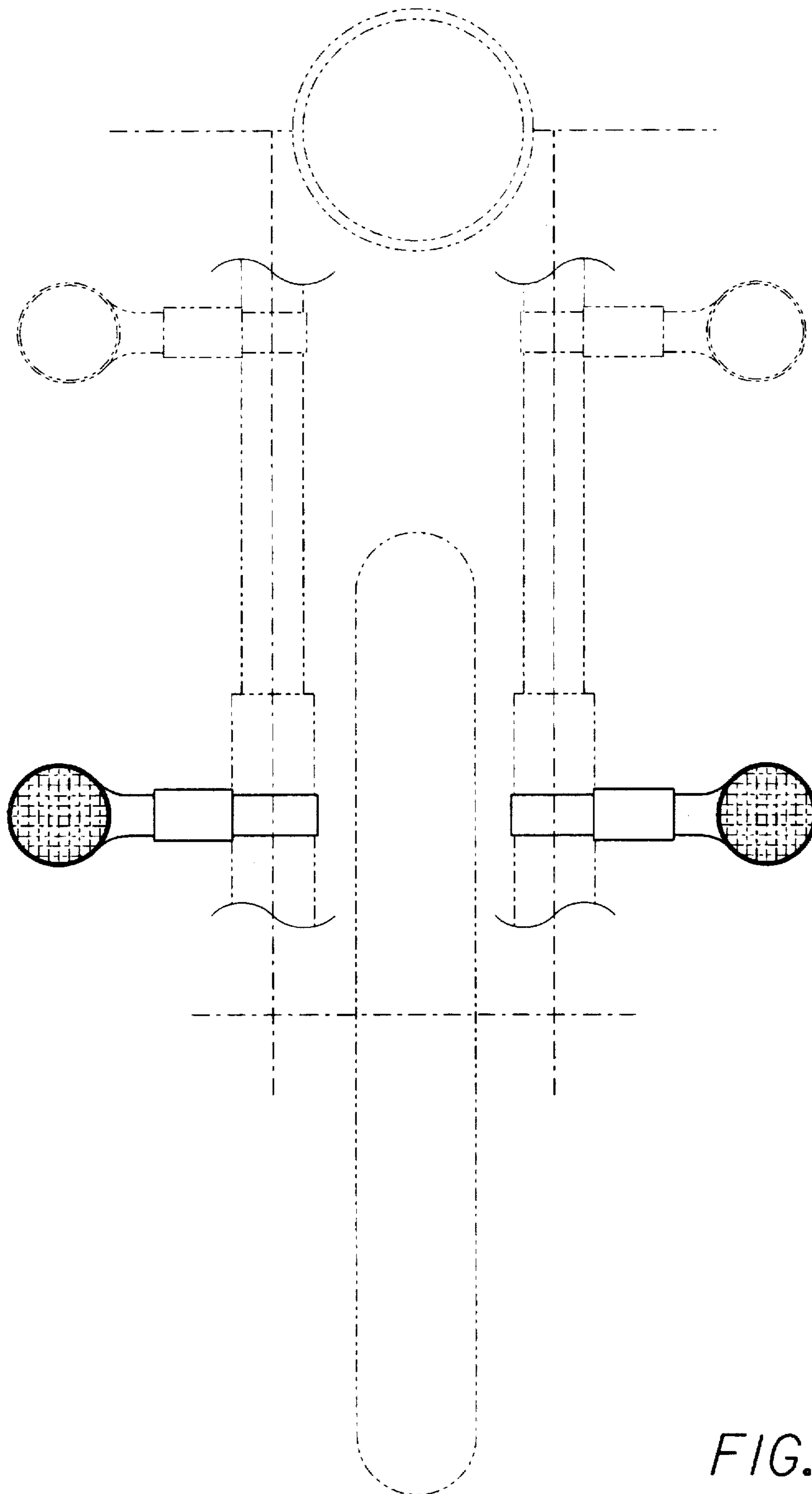


FIG. 2

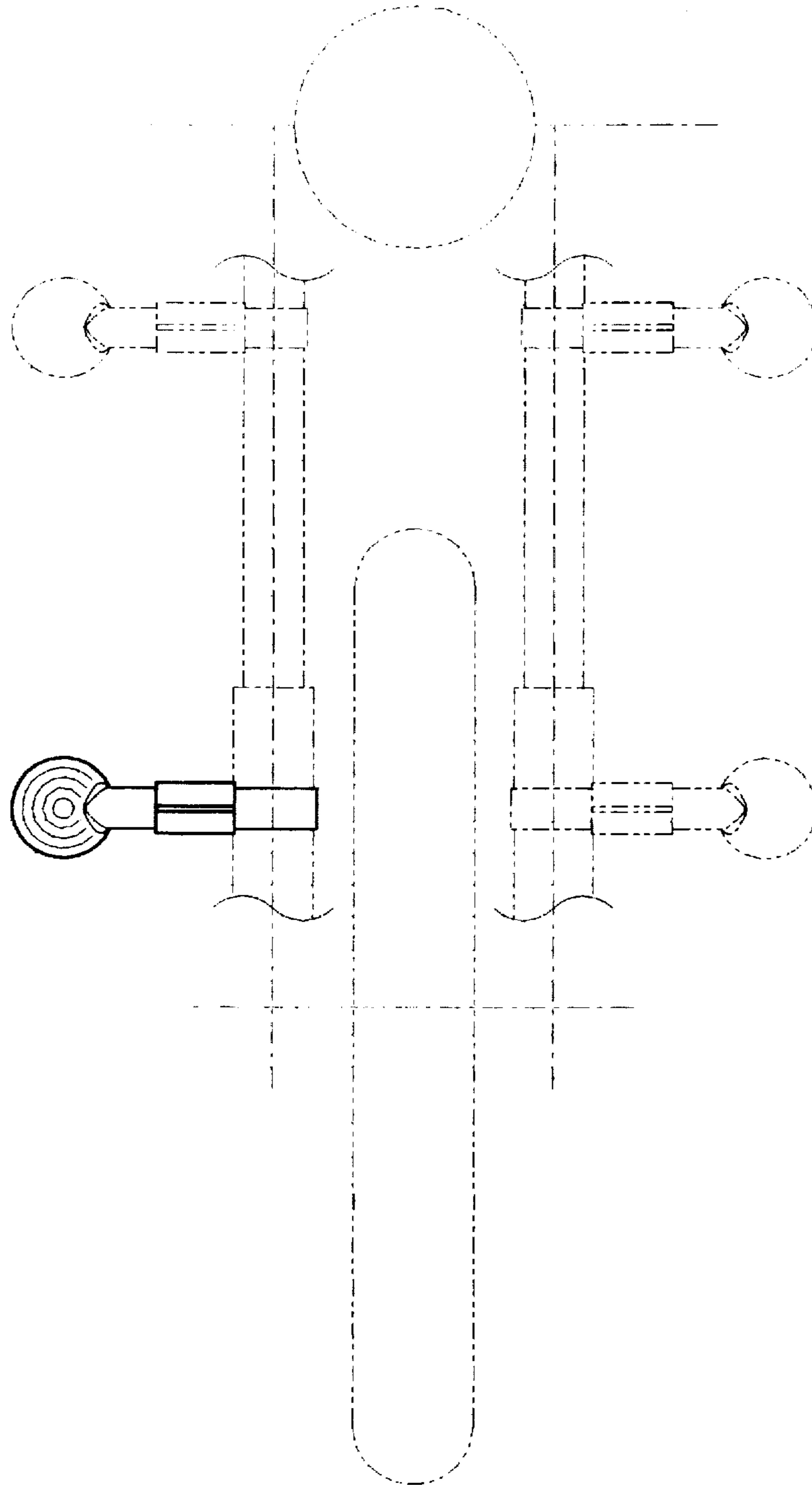


FIG. 3

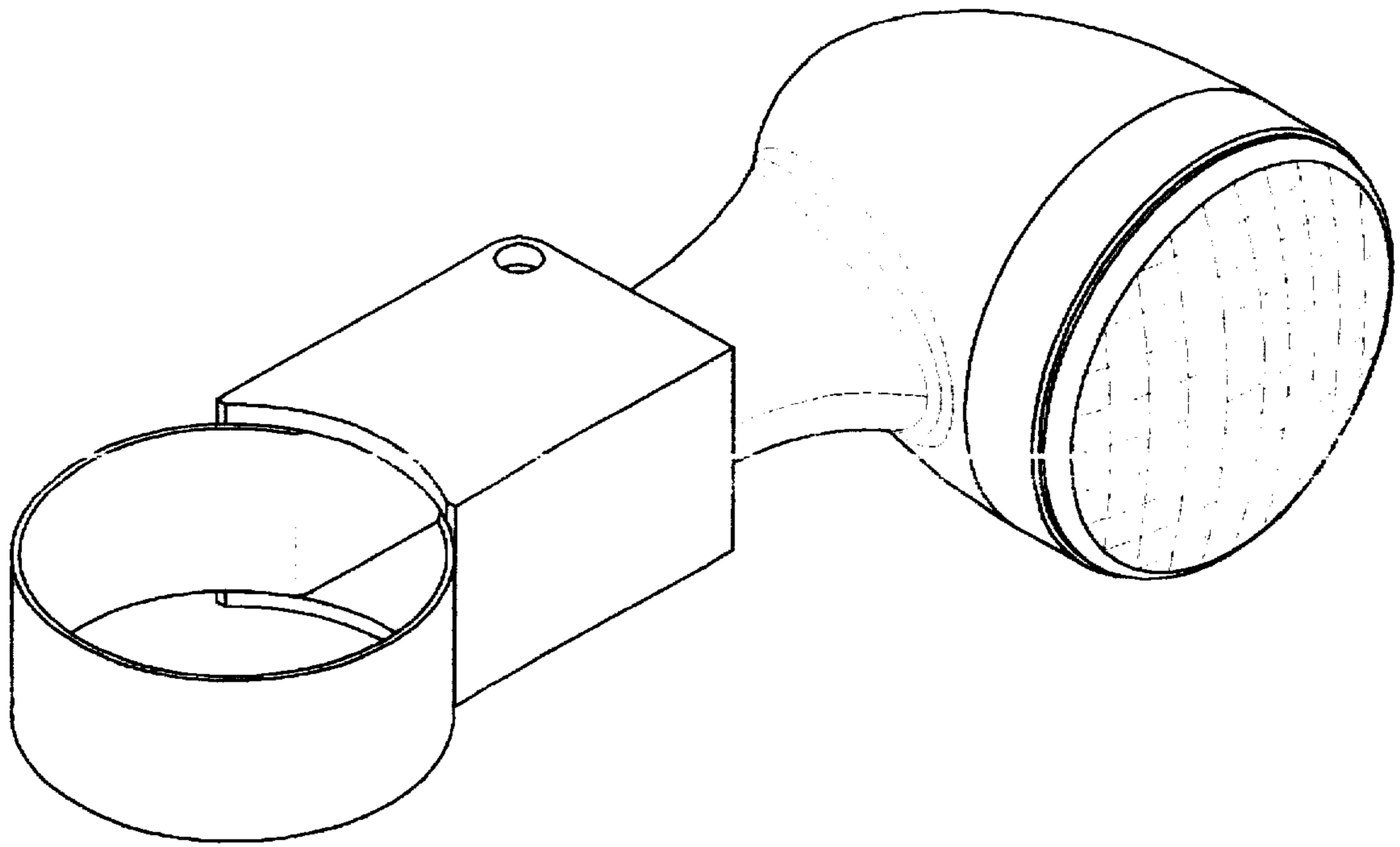


FIG. 4