

US00D397468S

United States Patent [19] Zeller

[11] Patent Number: Des. 397,468

[45] Date of Patent: **Aug. 25, 1998

[54] **BOOK LIGHT**

[76] Inventor: **Noel E. Zeller**, c/o Zelco Industries, Inc. 65 Haven Ave., Mount Vernon, N.Y. 10553

[**] Term: **14 Years**

[21] Appl. No.: **74,191**

[22] Filed: **Jul. 28, 1997**

[51] LOC (6) Cl. **26-05**

[52] U.S. Cl. **D26/60; D26/63**

[58] Field of Search **D26/60, 61, 63, D26/65; 362/269, 275, 285, 418, 419, 427, 98, 191, 396**

[56] **References Cited**

U.S. PATENT DOCUMENTS

D. 271,526	11/1983	Zeller	D26/60
D. 290,519	6/1987	Kuo	D26/60
4,598,340	7/1986	Dwosh et al.	362/98

Primary Examiner—Susan J. Lucas
Attorney, Agent, or Firm—Donald S. Dowden; Cooper & Dunham LLP

[57] **CLAIM**

The ornamental design for a book light, as shown and described.

DESCRIPTION

FIG. 1 is a top right front perspective view showing a first embodiment of my new design in an unfolded position;

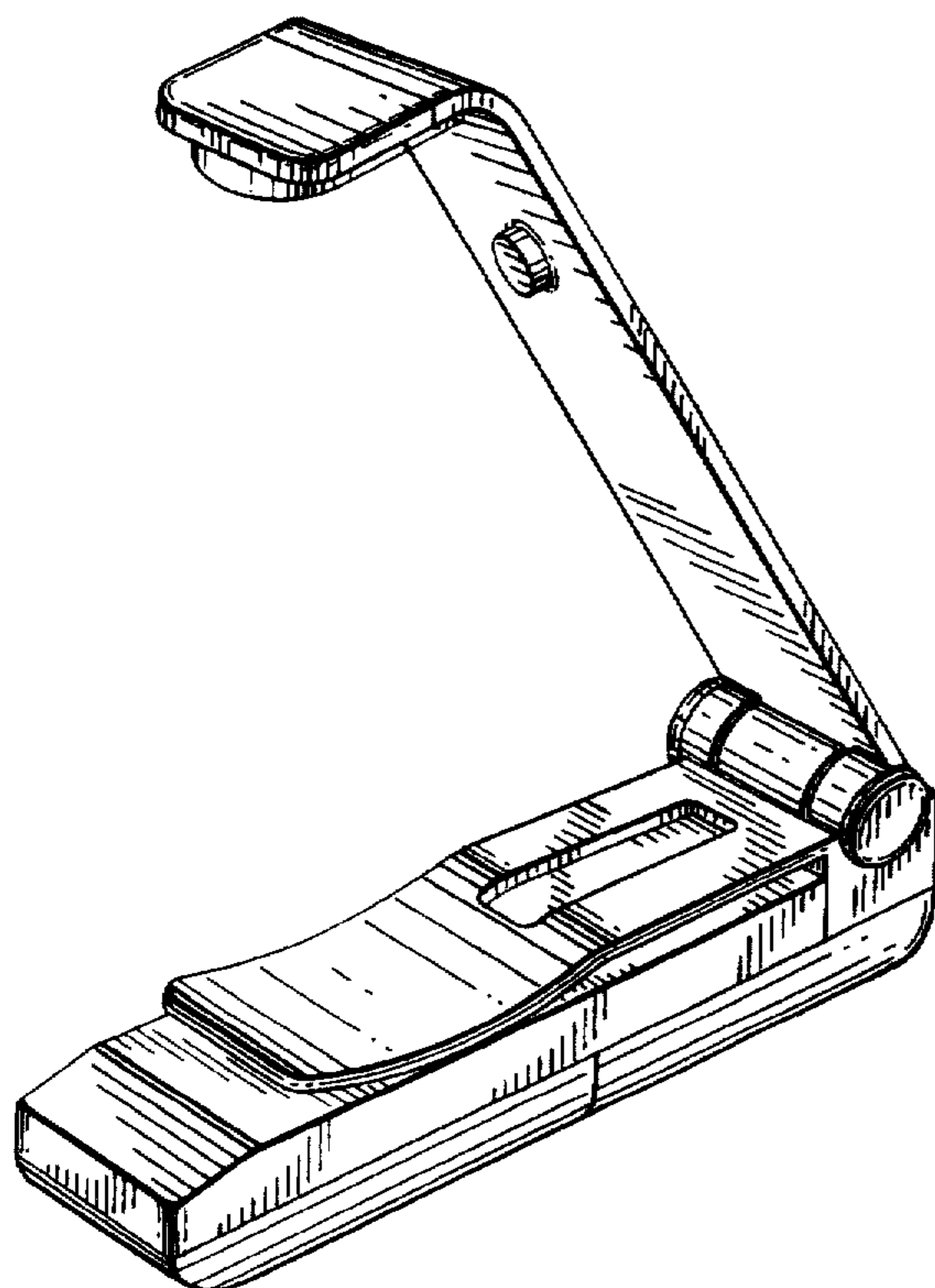
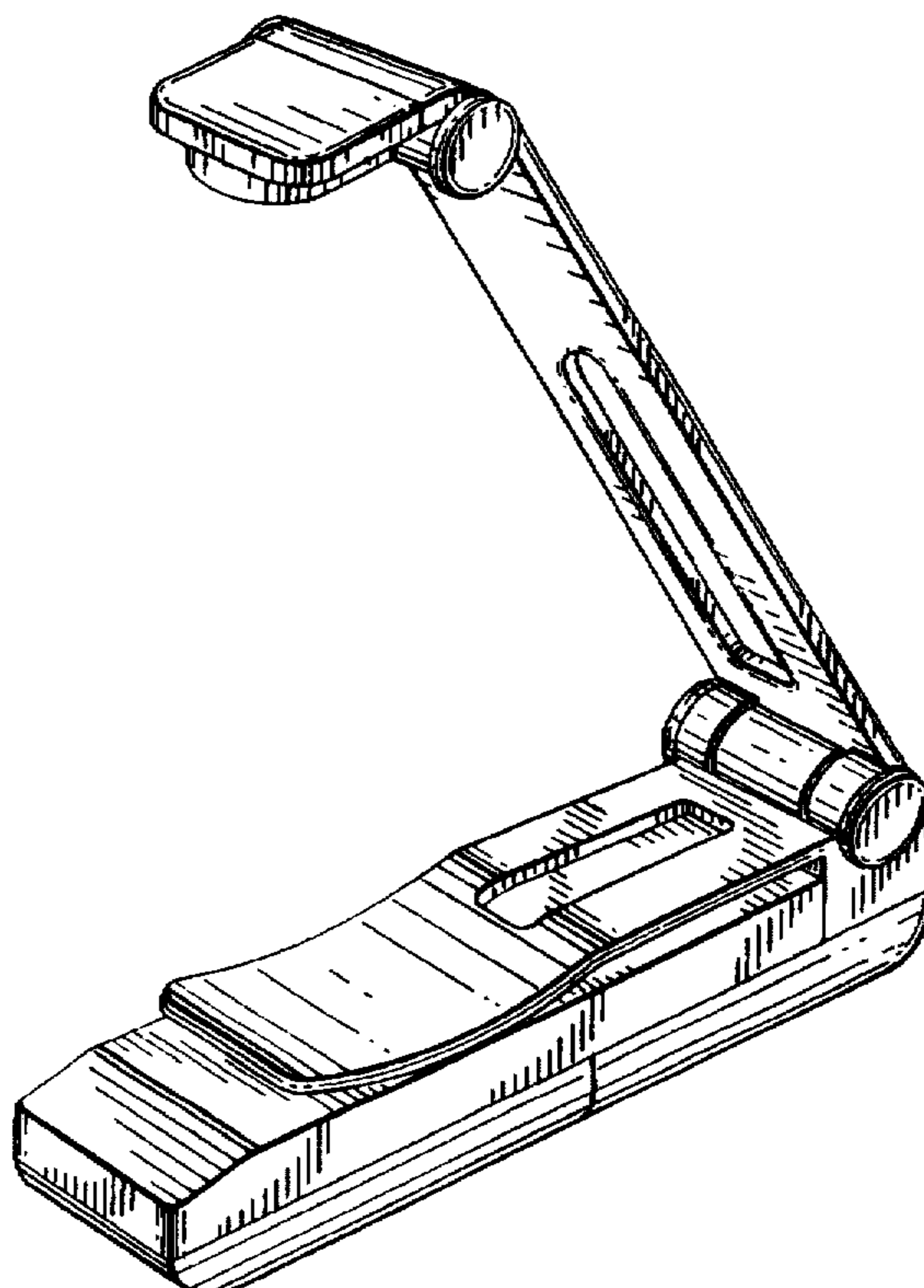


FIG. 2 is a front view thereof;
 FIG. 3 is a rear view thereof;
 FIG. 4 is a right view thereof, the left view thereof being a mirror image thereof;
 FIG. 5 is a top view thereof;
 FIG. 6 is a bottom view thereof;
 FIG. 7 is a top right front perspective view thereof in a folded position;
 FIG. 8 is a front view thereof;
 FIG. 9 is a rear view thereof;
 FIG. 10 is a right view thereof, the left view thereof being a mirror image thereof;
 FIG. 11 is a top view thereof;
 FIG. 12 is a bottom view thereof;
 FIG. 13 is a top right front perspective view showing a second embodiment of my new design in an unfolded position;
 FIG. 14 is a front view thereof;
 FIG. 15 is a rear view thereof;
 FIG. 16 is a right view thereof, the left view thereof being a mirror image thereof;
 FIG. 17 is a top view thereof;
 FIG. 18 is a bottom view thereof;
 FIG. 19 is a top right front perspective view thereof in a folded position;
 FIG. 20 is a front view thereof;
 FIG. 21 is a rear view thereof;
 FIG. 22 is a right view thereof, the left view thereof being a mirror image thereof;
 FIG. 23 is a top view thereof; and
 FIG. 24 is a bottom view thereof.

1 Claim, 10 Drawing Sheets



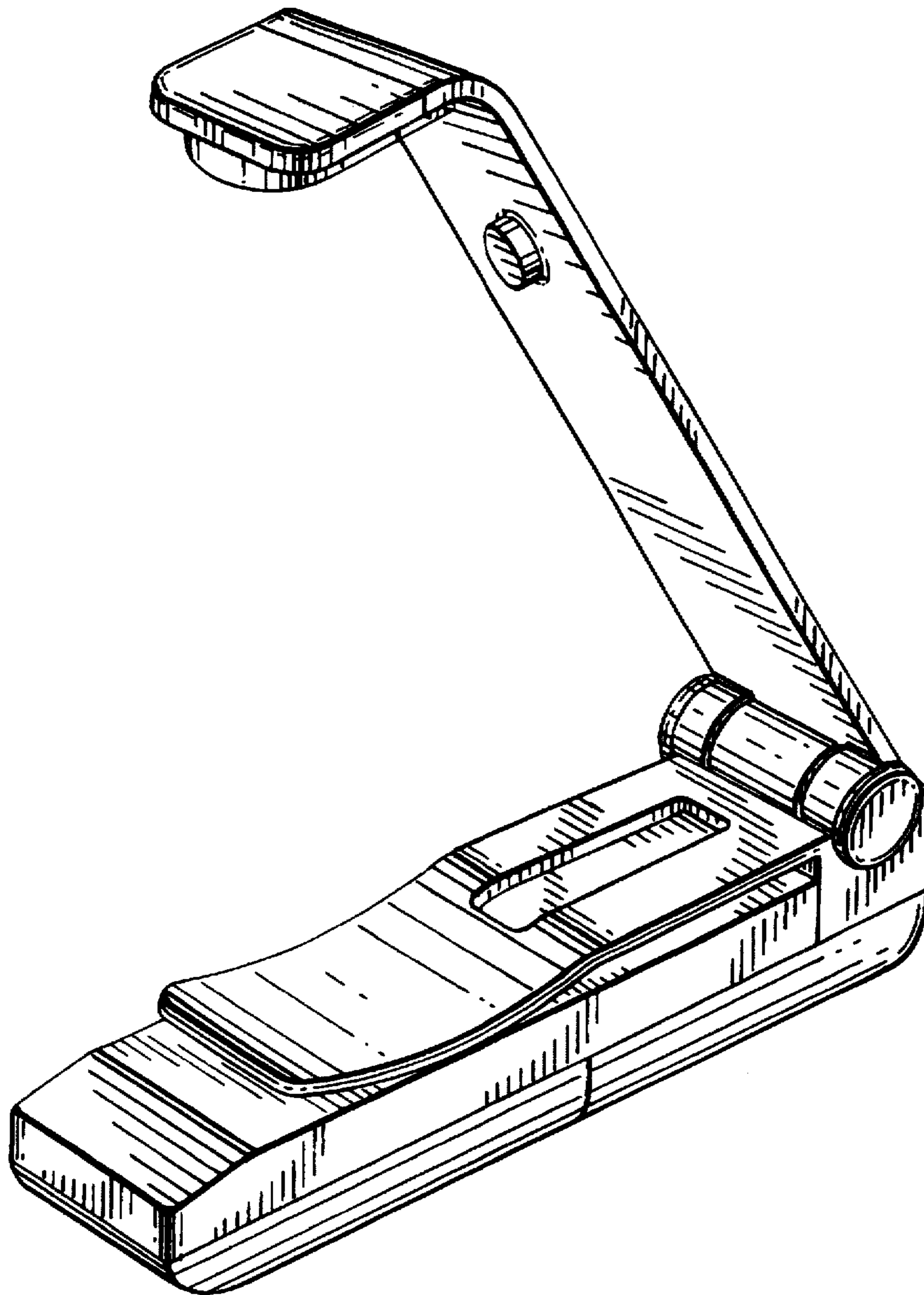


FIG. 1

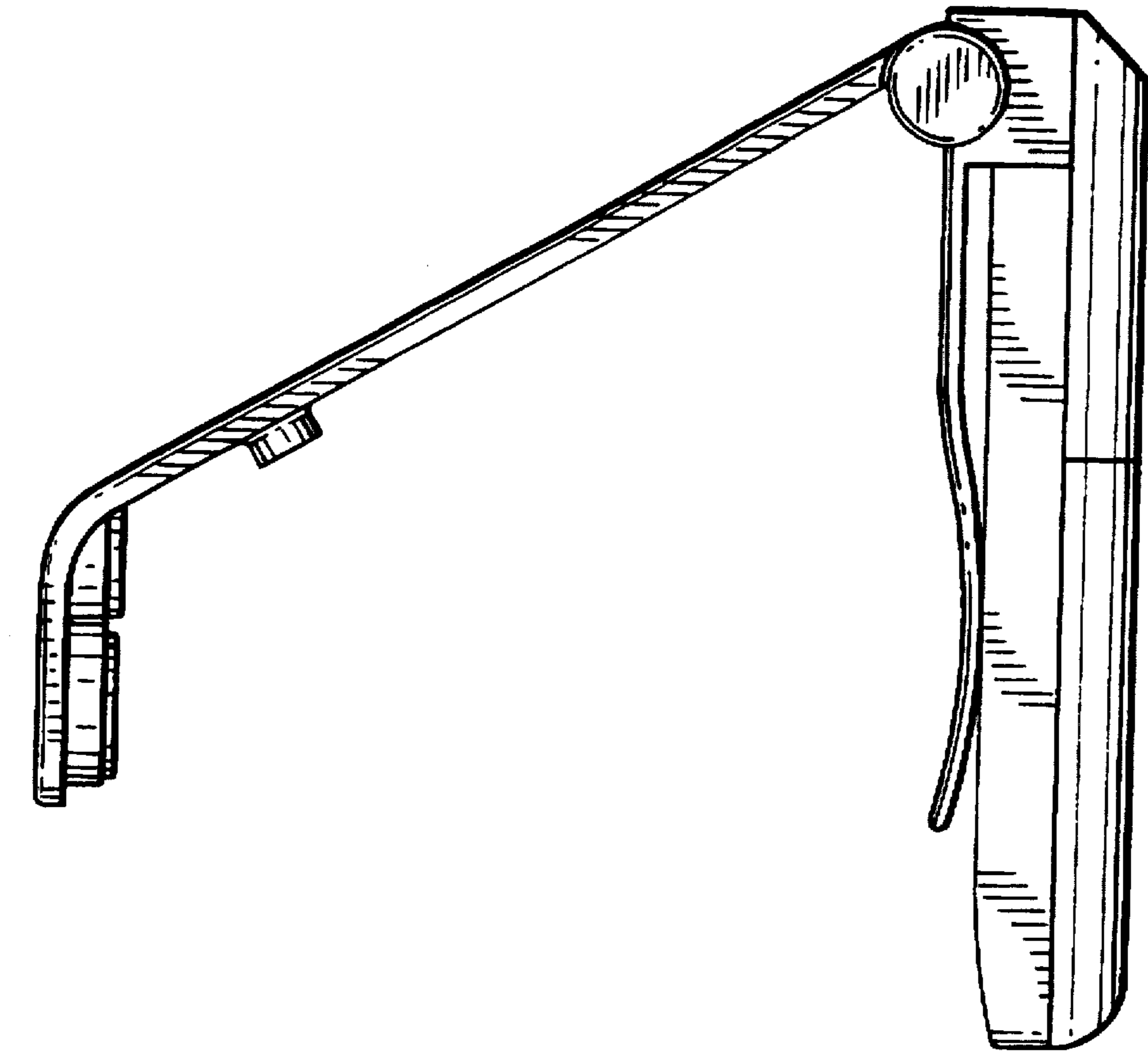


FIG. 4

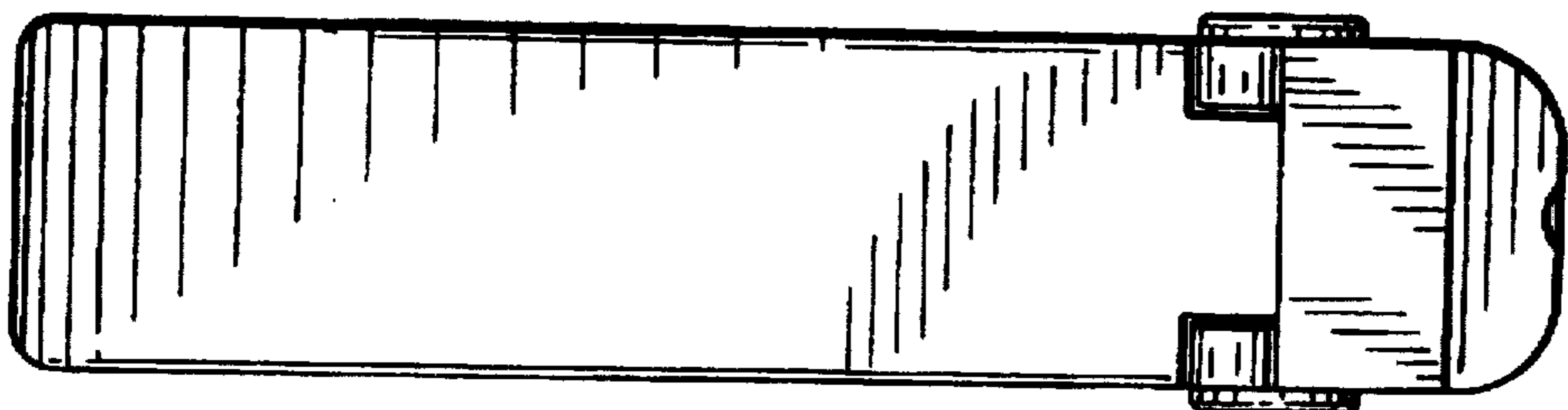


FIG. 3

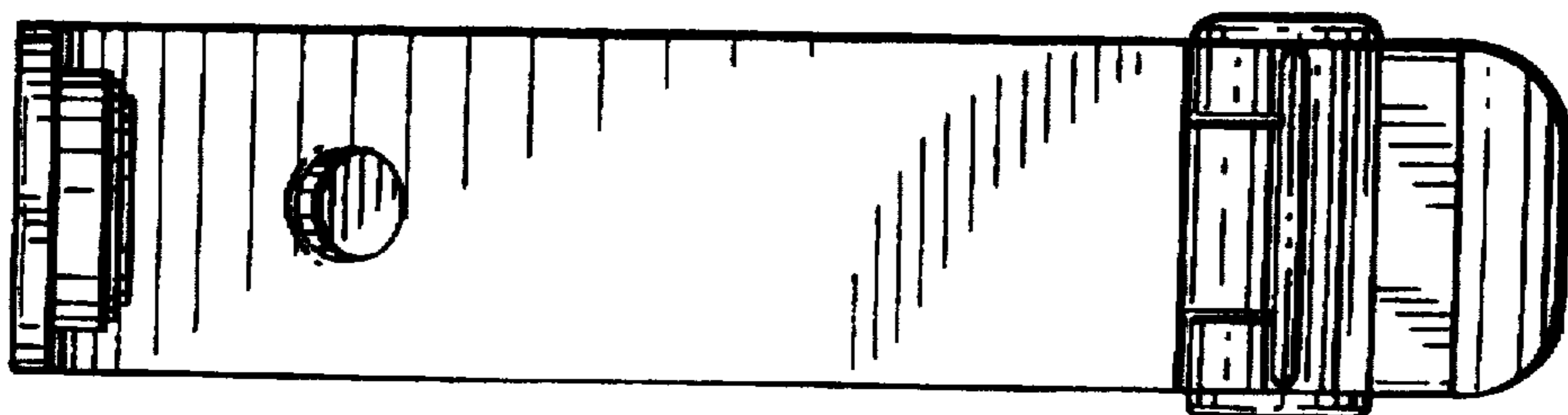


FIG. 2

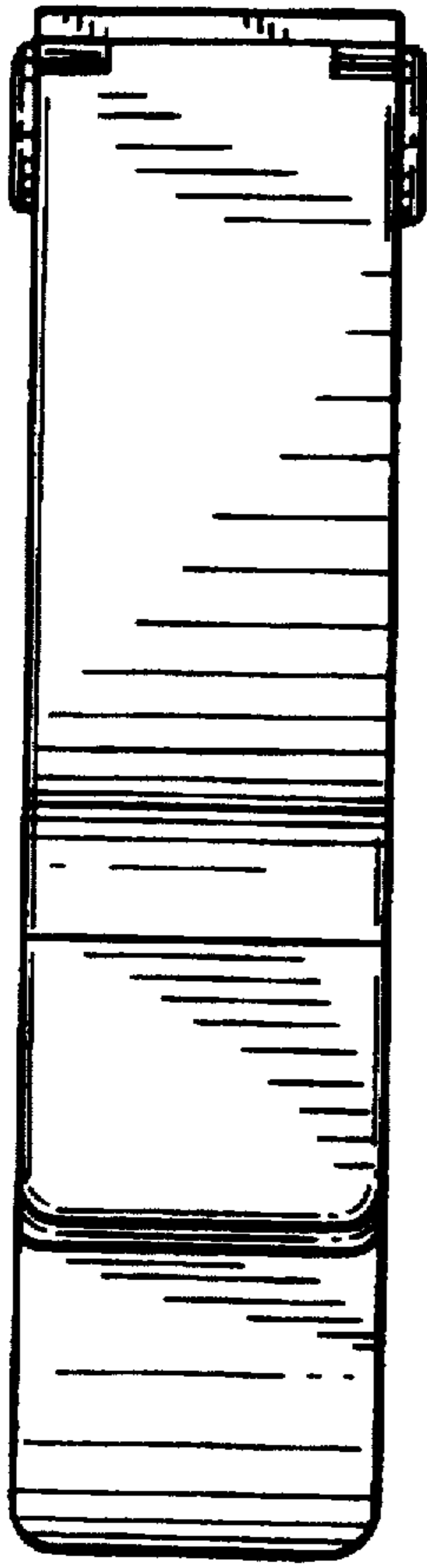


FIG. 5

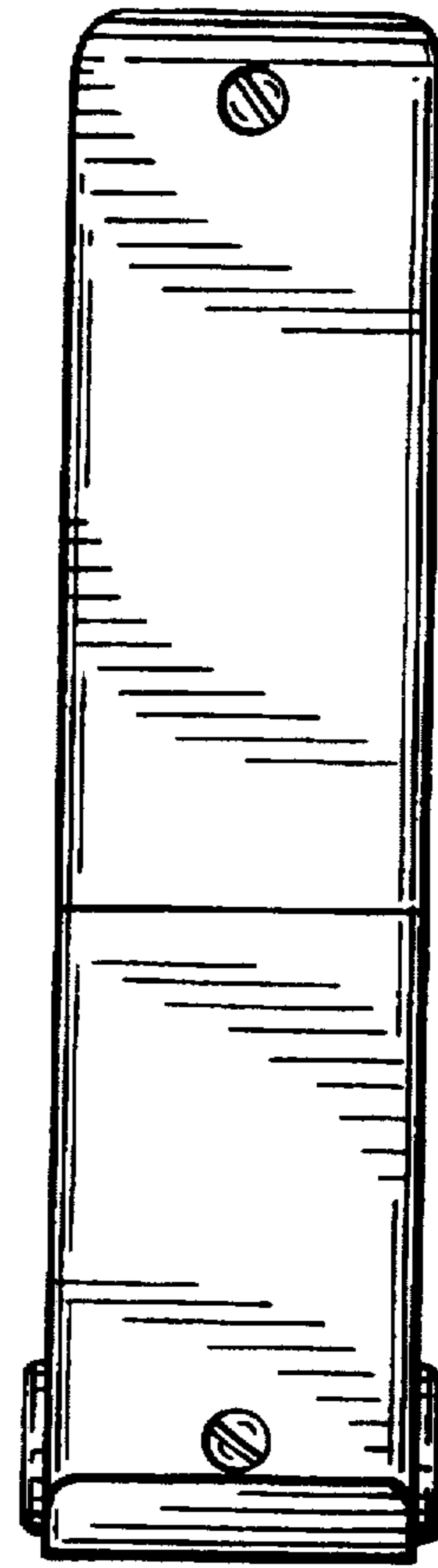


FIG. 6

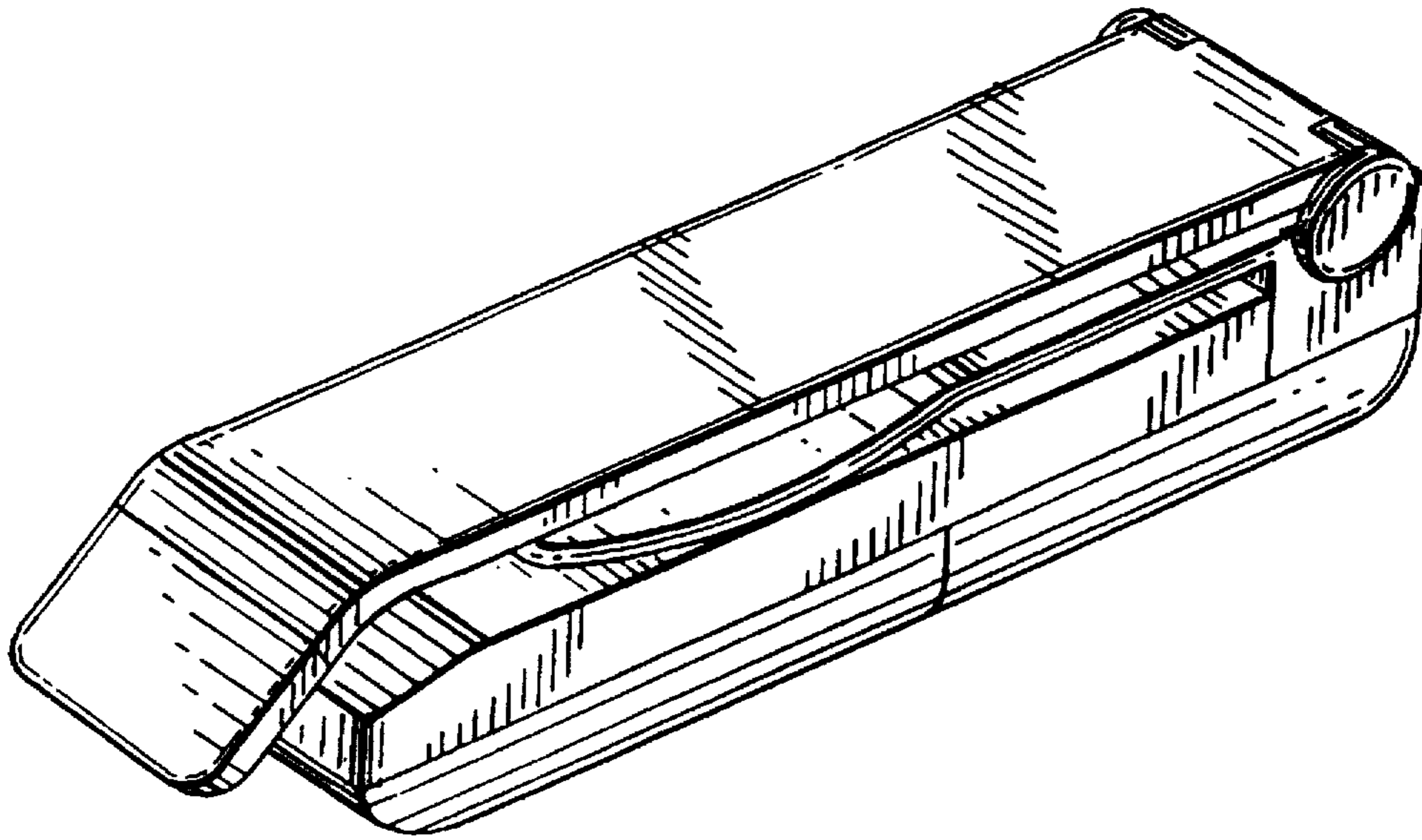


FIG. 7

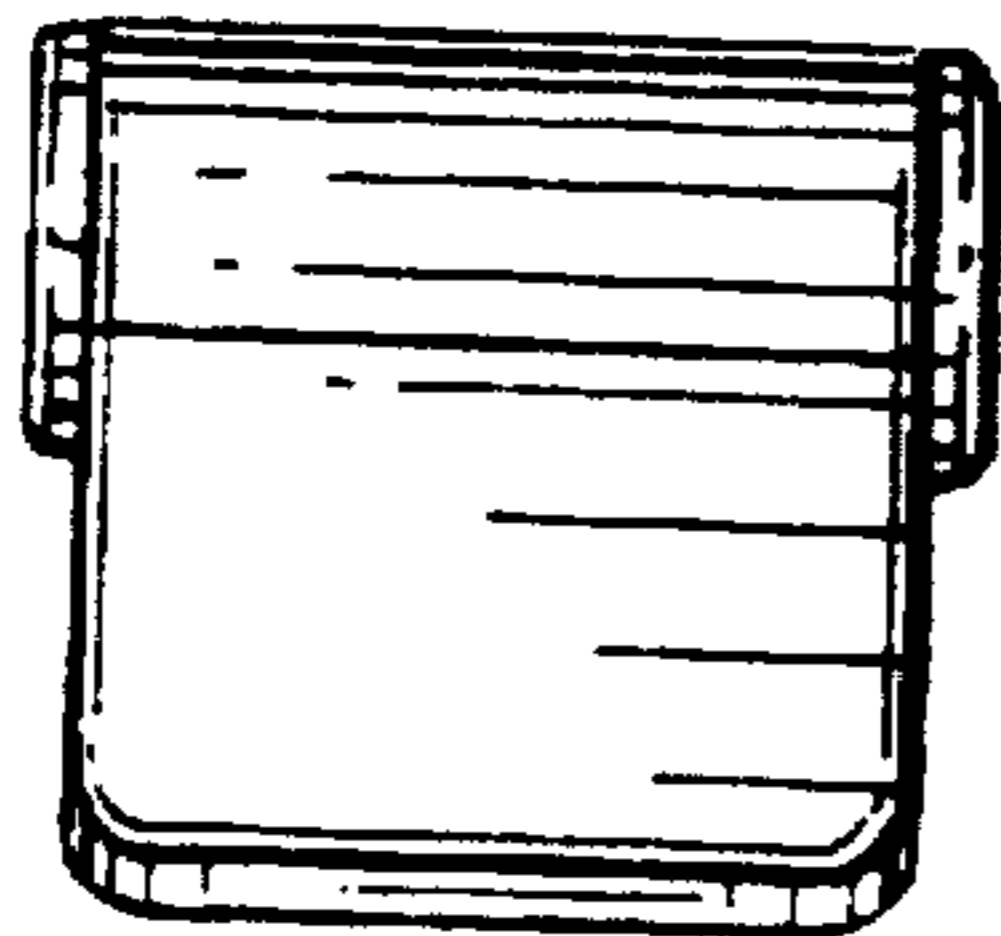


FIG. 8

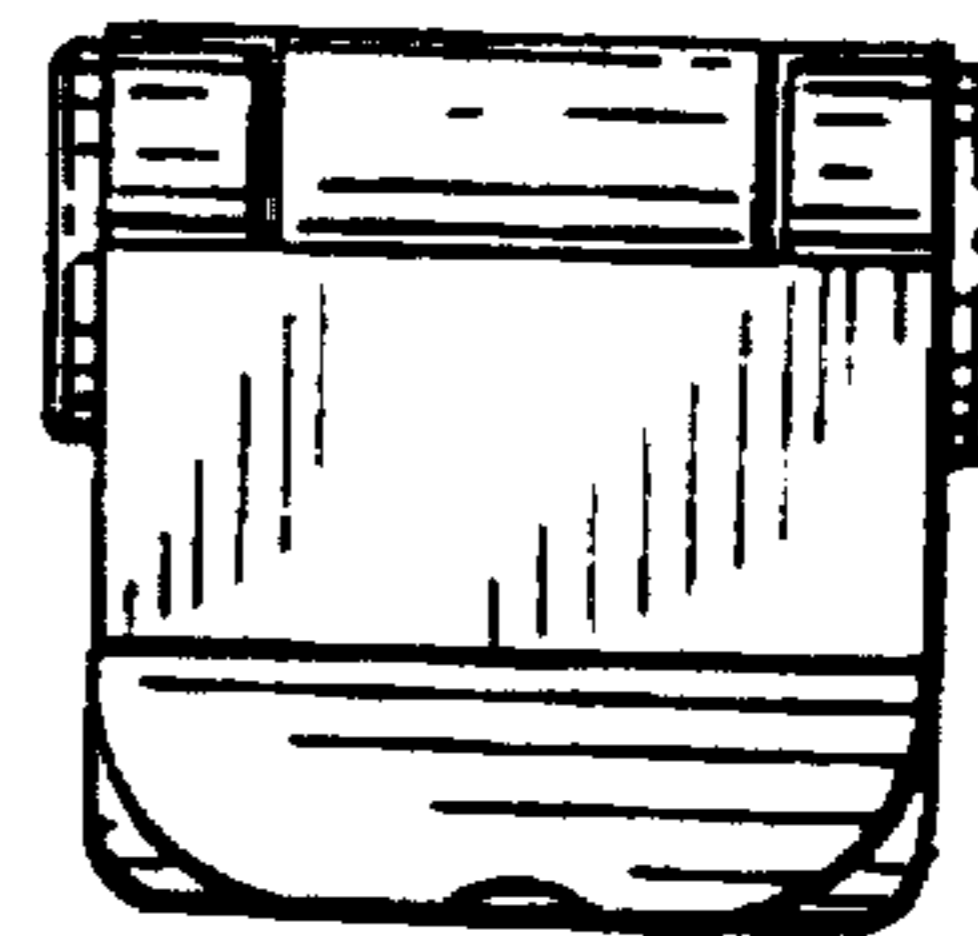


FIG. 9

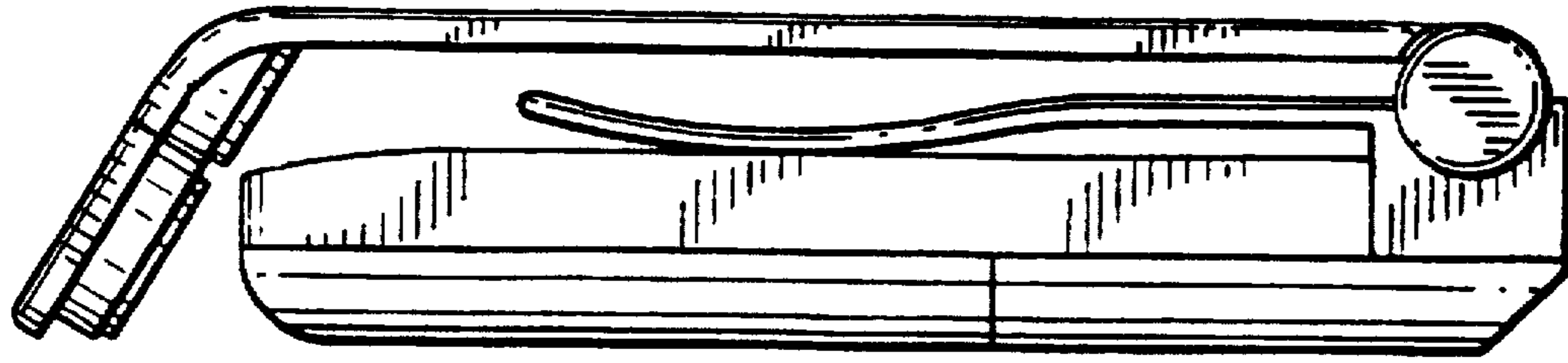


FIG. 10

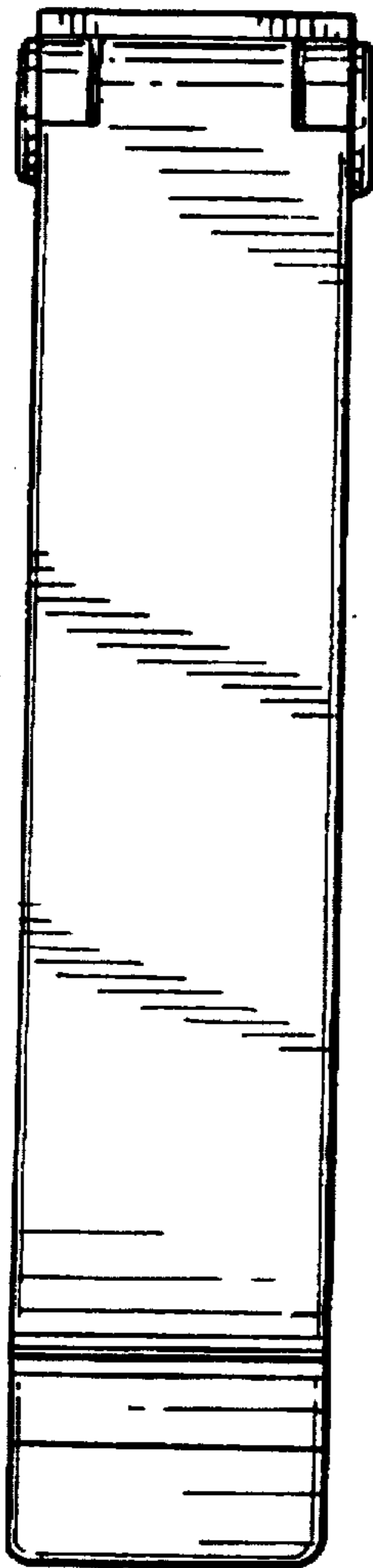


FIG. 11

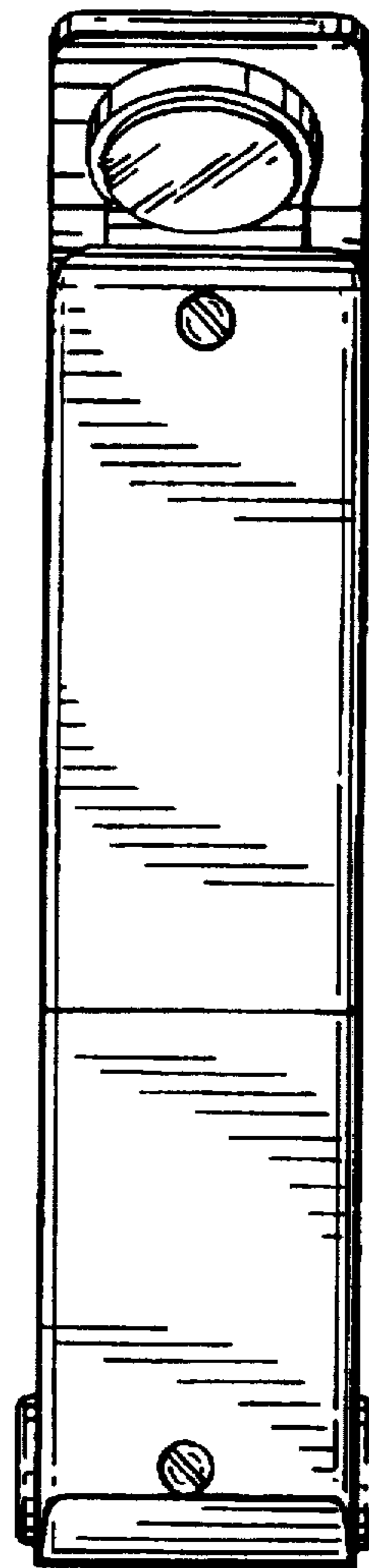


FIG. 12

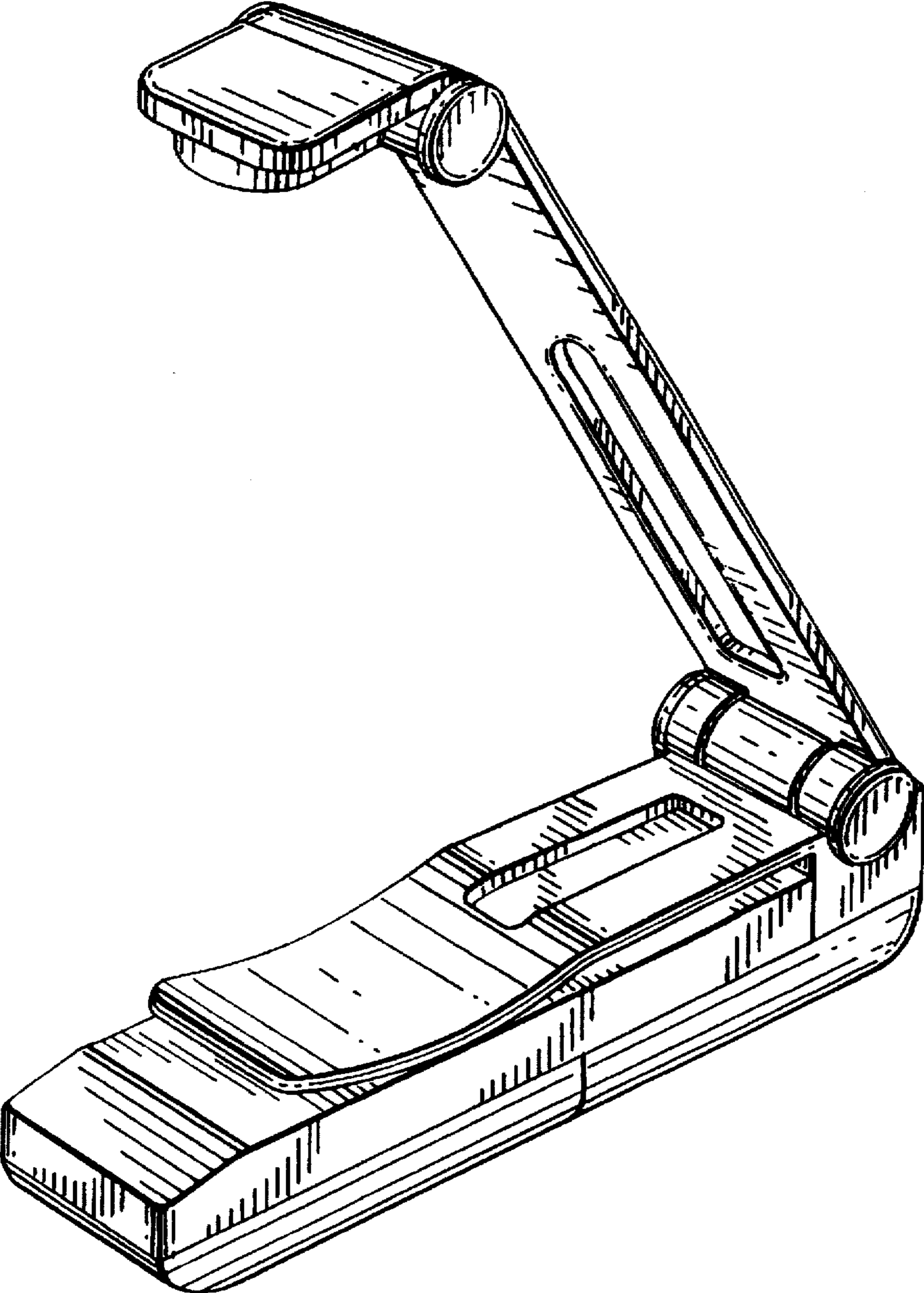


FIG. 13

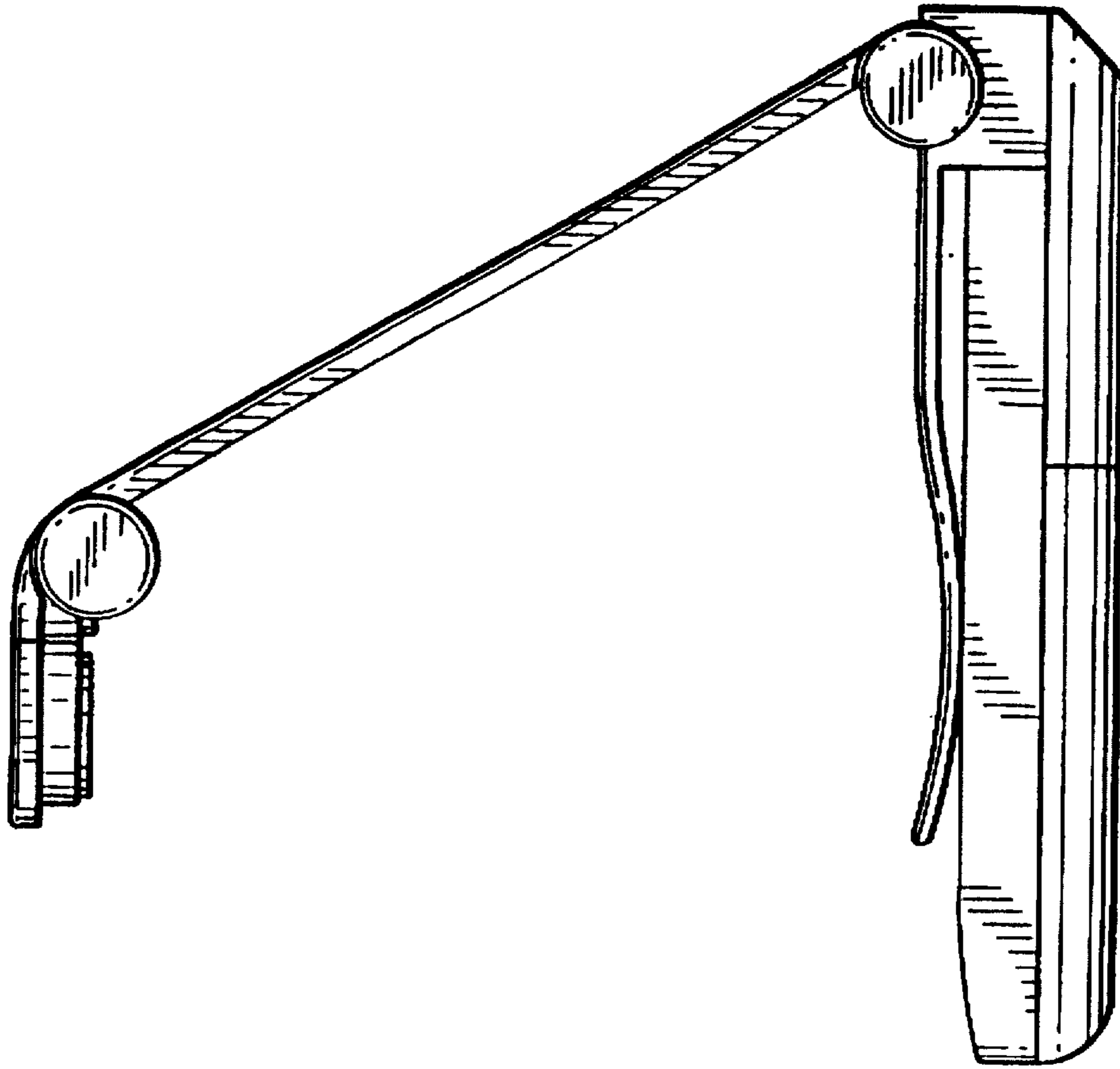


FIG. 16

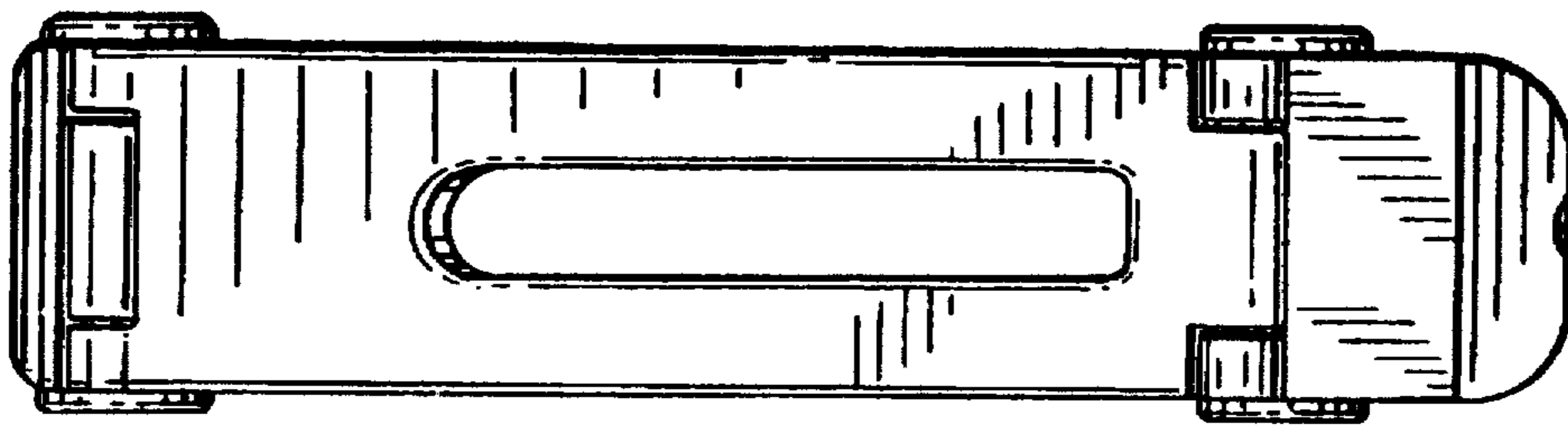


FIG. 15

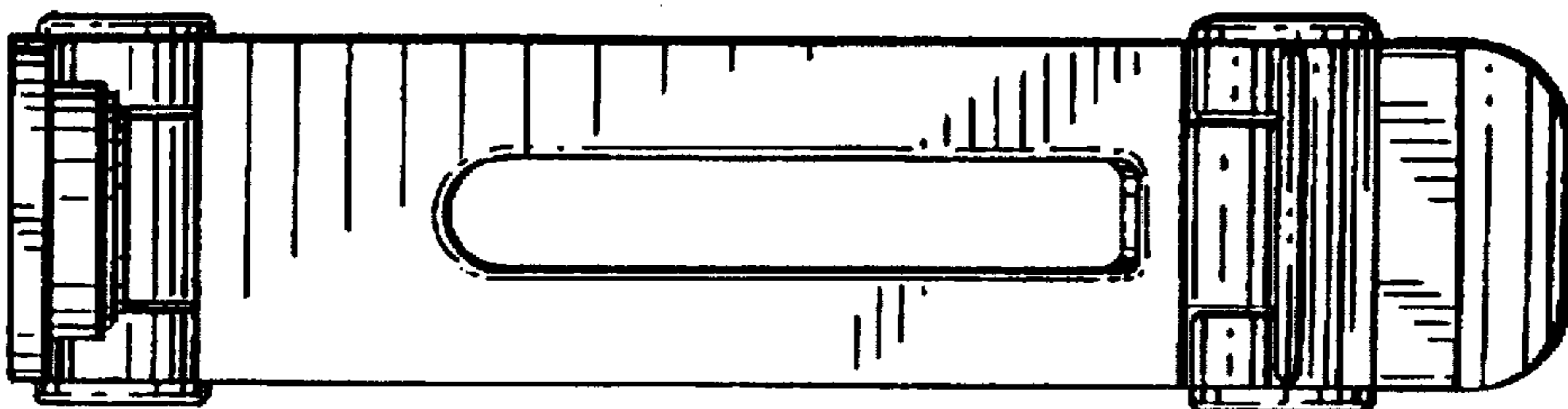


FIG. 14

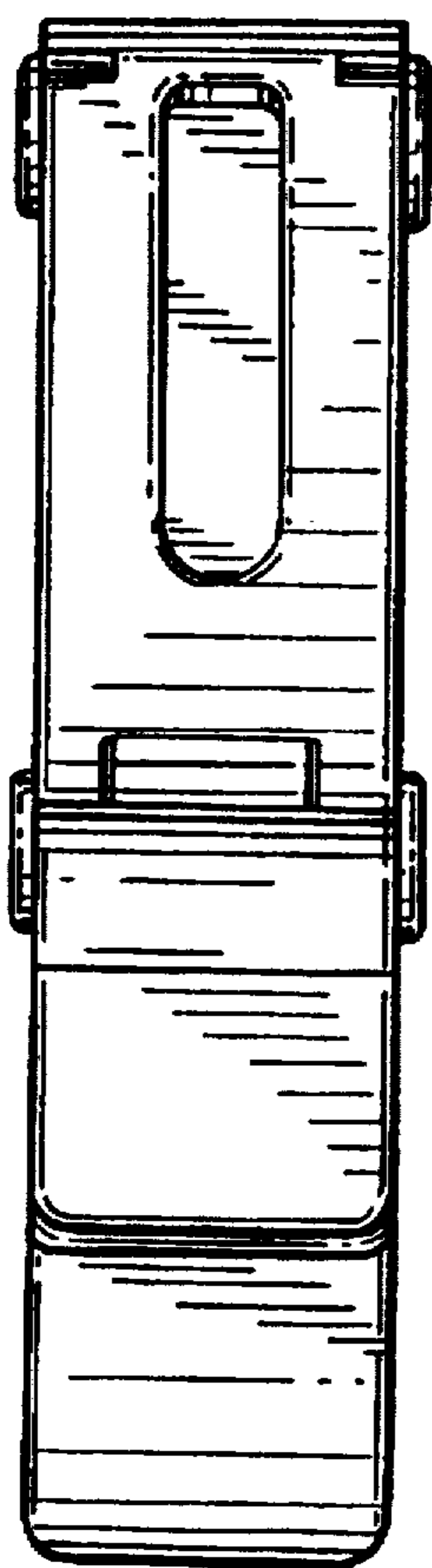


FIG. 17

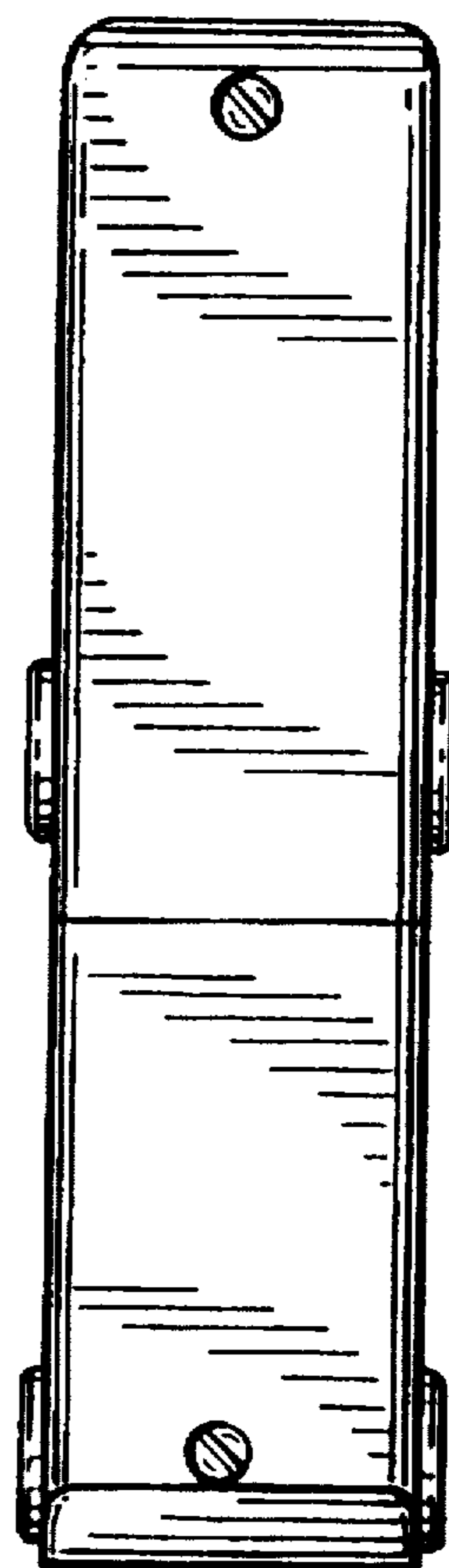


FIG. 18

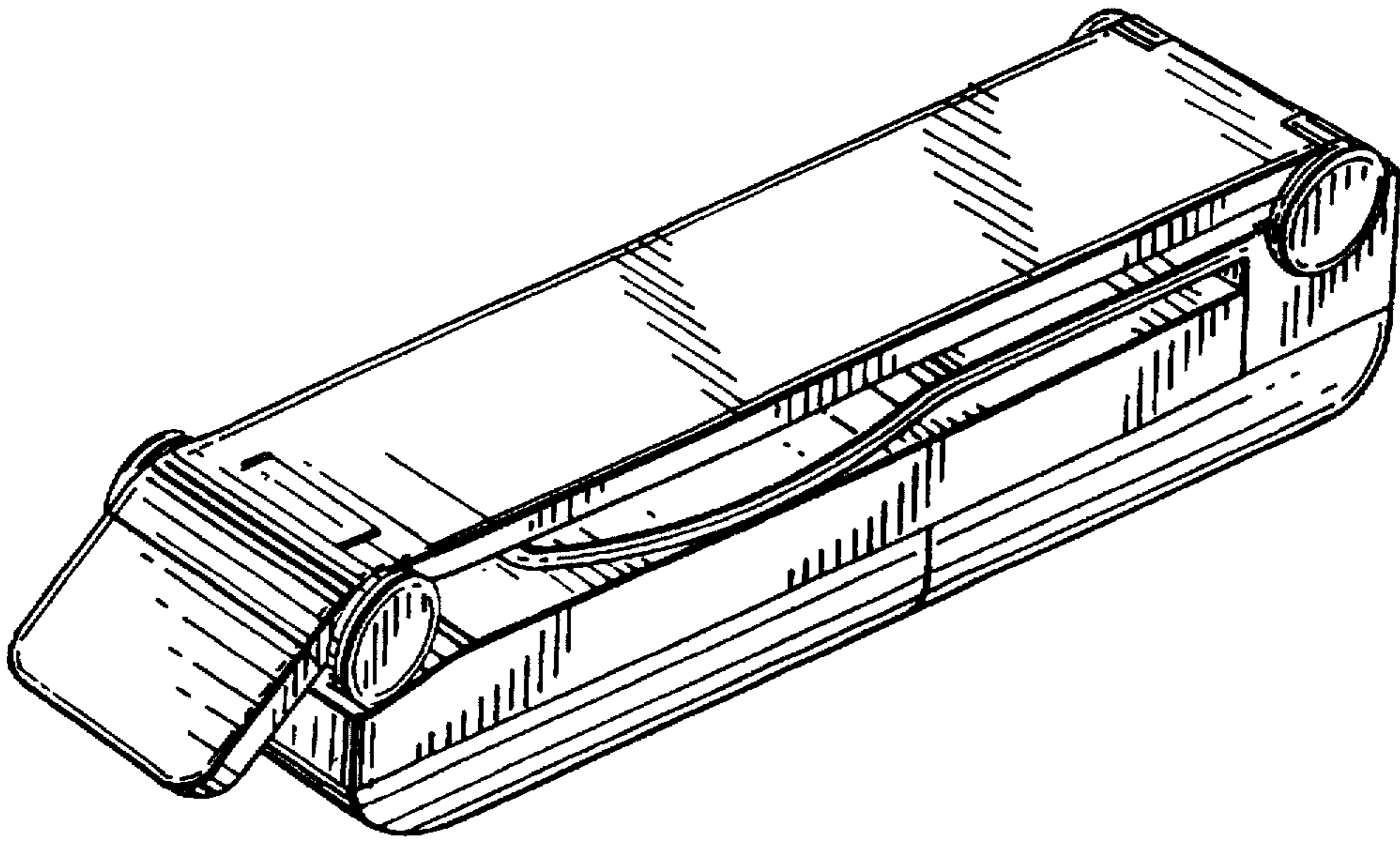


FIG. 19

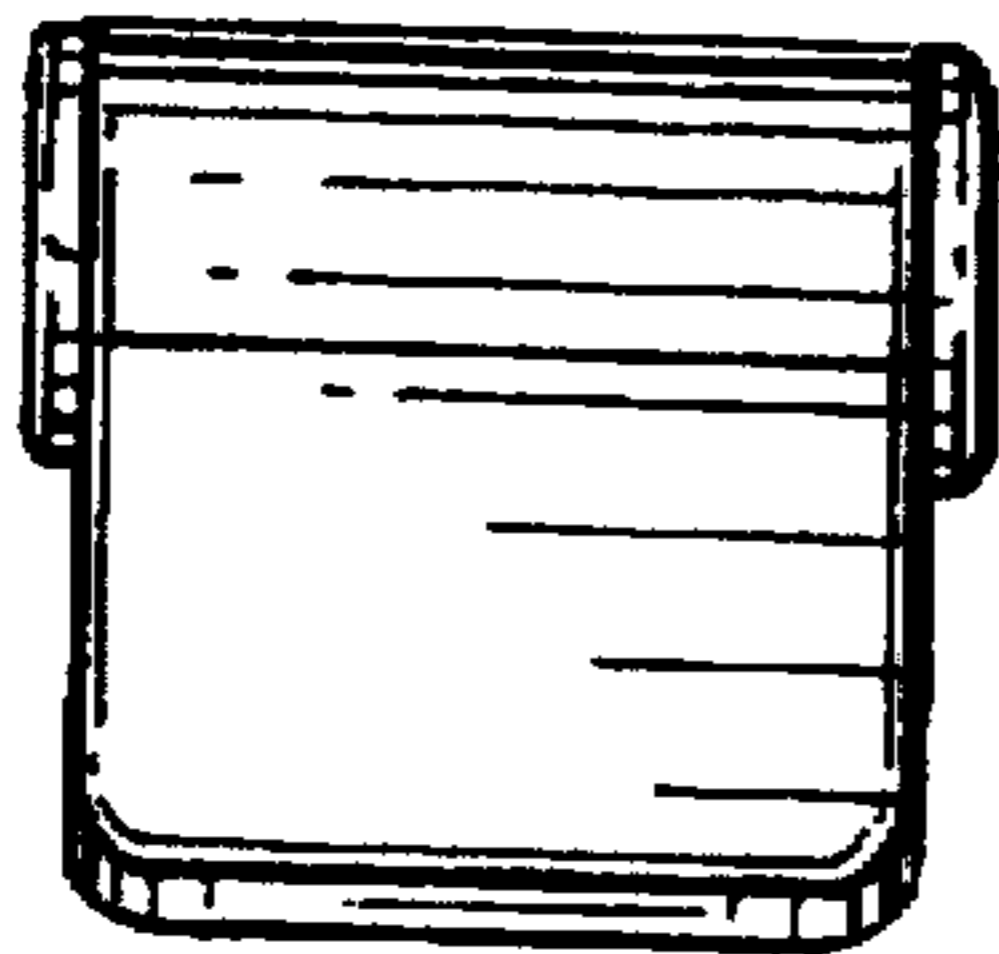


FIG. 20

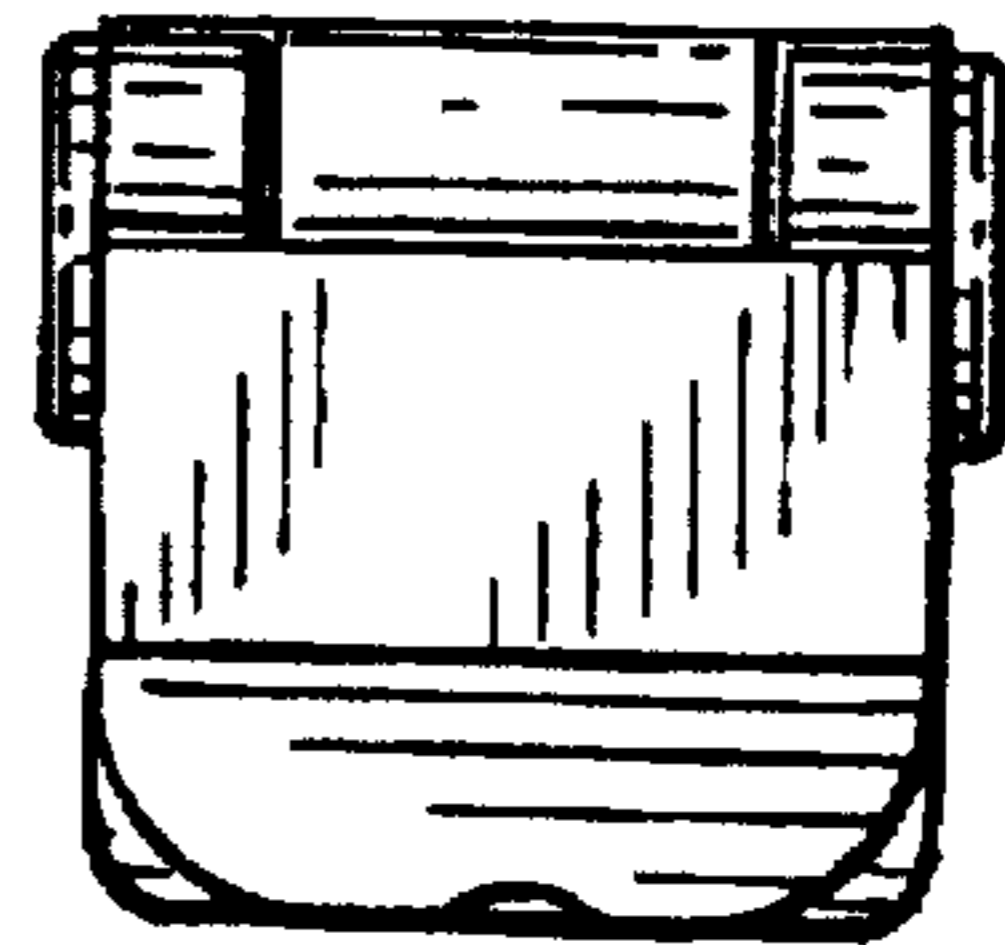


FIG. 21

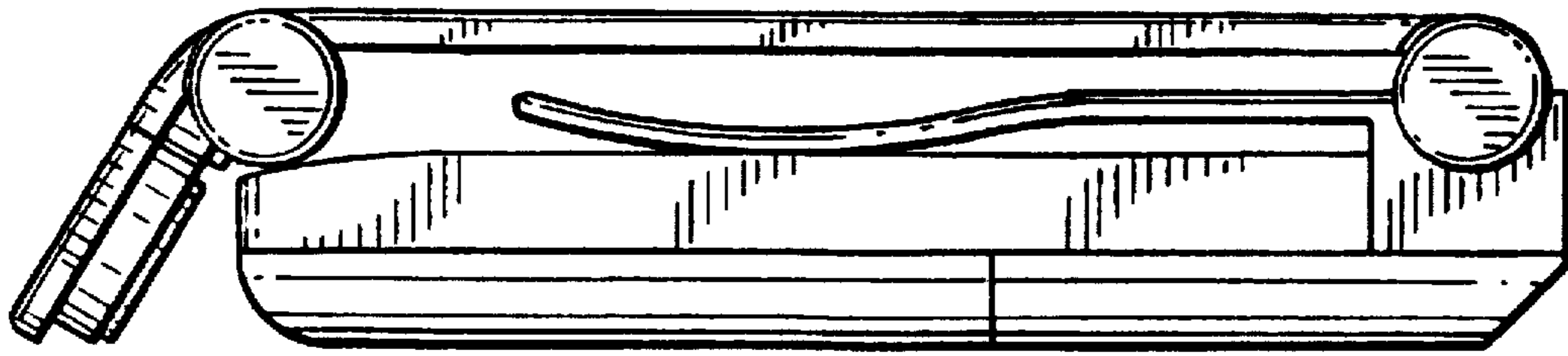


FIG. 22

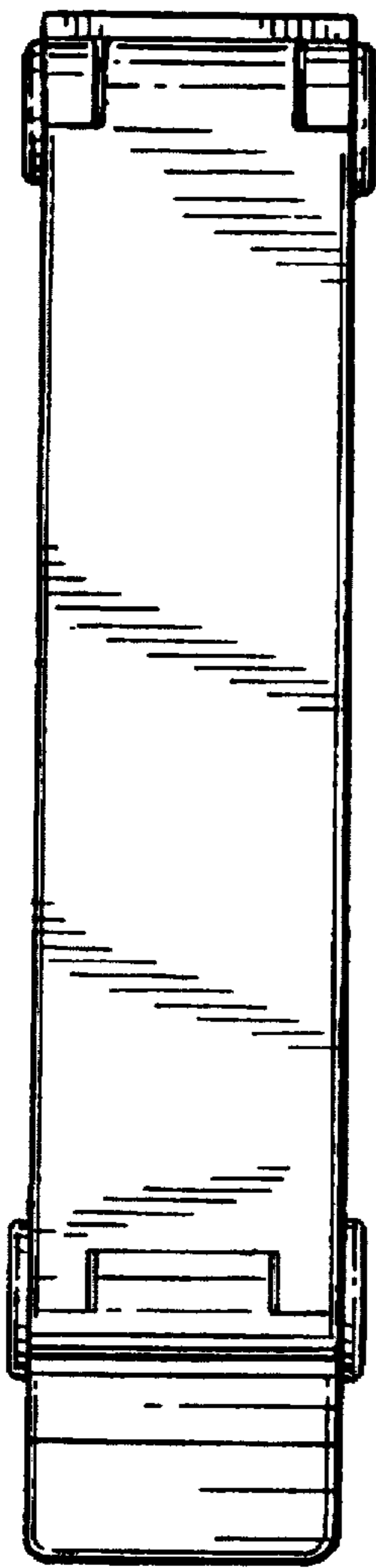


FIG. 23

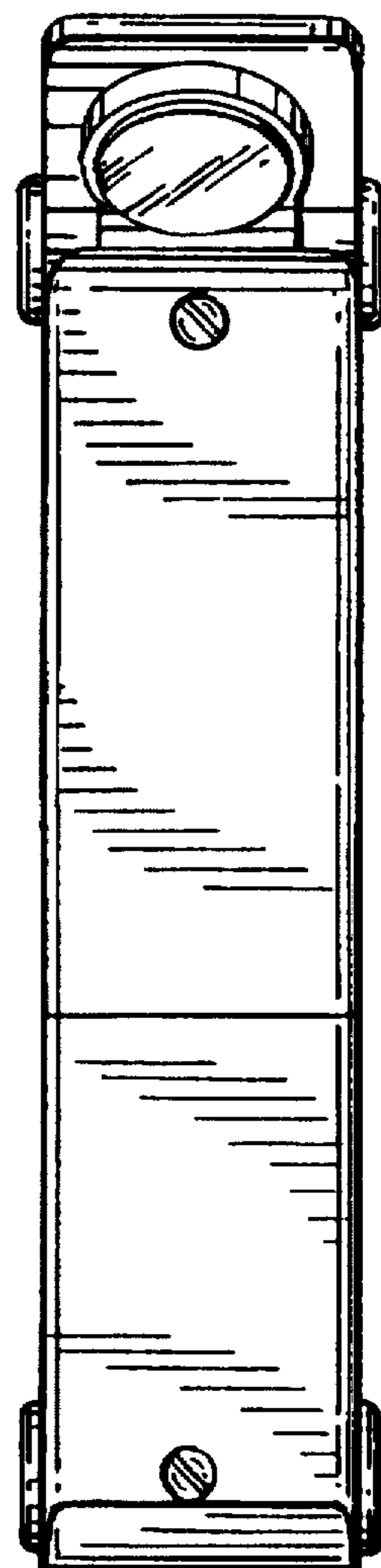


FIG. 24