



US00D397467S

United States Patent [19]

[11] Patent Number: **Des. 397,467**

Howard et al.

[45] Date of Patent: ****Aug. 25, 1998**

[54] LANTERN

[57] CLAIM

[75] Inventors: **John Donaldson Howard**, Brewster, N.Y.; **Gary Evan van Deursen**, Evergreen, Colo.

The ornamental design for a lantern, as shown.

[73] Assignee: **The Coleman Company, Inc.**, Kans.

DESCRIPTION

[**] Term: **14 Years**

FIG. 1 is a perspective view thereof with a handle in a first position;

[21] Appl. No.: **71,566**

FIG. 2 is a front elevational view thereof with the handle in the first position;

[22] Filed: **Jun. 2, 1997**

FIG. 3 is a left side elevational view thereof with the handle in the first position;

[51] LOC (6) Cl. **26-02**

FIG. 4 is a rear elevational view thereof with the handle in the first position;

[52] U.S. Cl. **D26/41**

FIG. 5 is a right side elevational view thereof with the handle in the first position;

[58] Field of Search D26/37-50; 362/157, 362/158, 183-202

FIG. 6 is a top plan view thereof with the handle in the first position;

[56] References Cited

FIG. 7 is a bottom plan view thereof with the handle in the first position;

U.S. PATENT DOCUMENTS

FIG. 8 is a perspective view thereof with the handle in a second position; and,

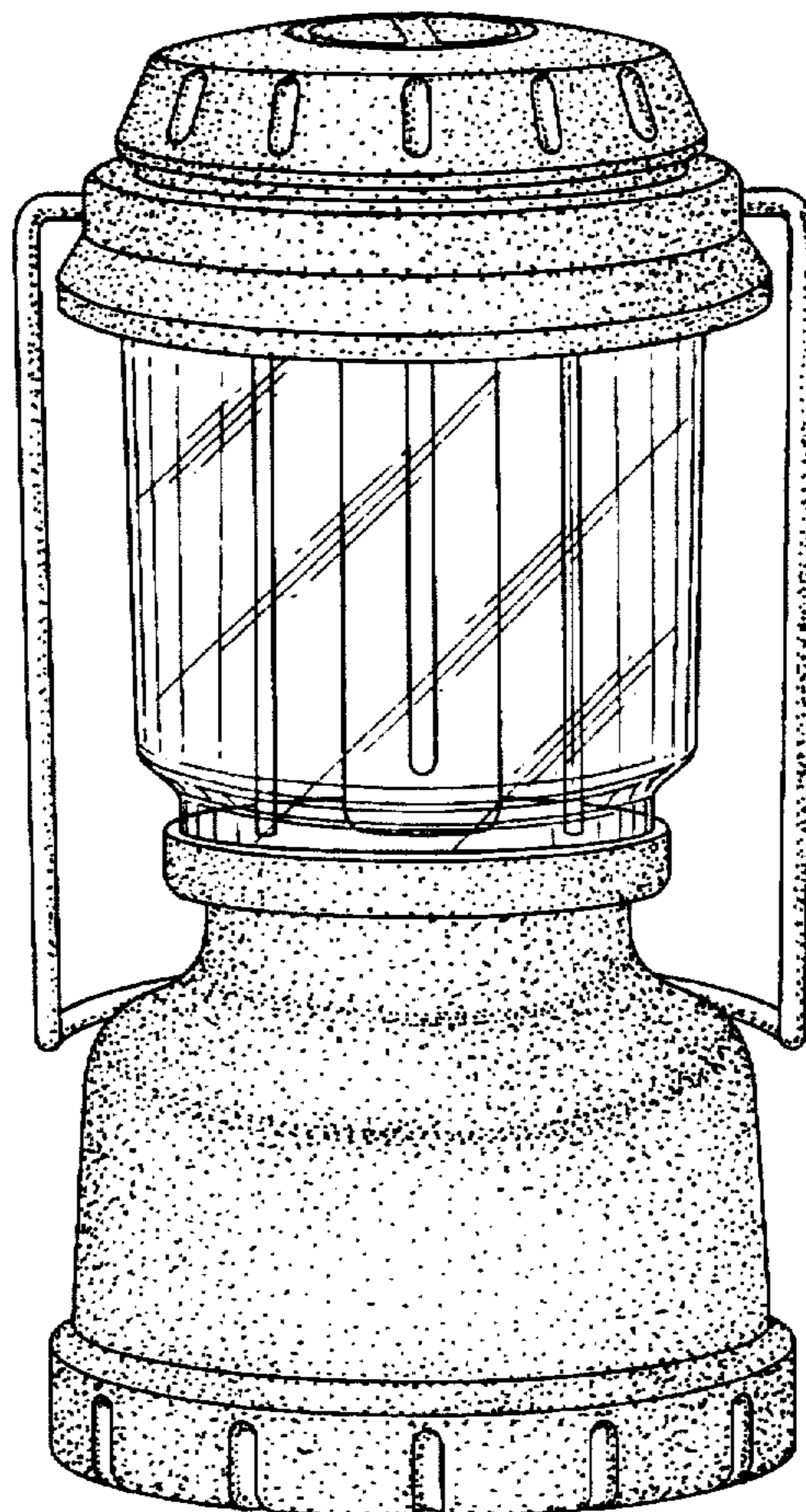
D. 190,674	6/1961	Hoenisch	D26/41
D. 232,756	9/1974	Oakley	D26/41
D. 234,311	2/1975	Oakley	D26/41
D. 282,211	1/1986	Tang	D26/41
D. 344,348	2/1994	Zo	D26/41

FIG. 9 is a top plan view thereof with the handle in the second position.

The front elevational view, back elevational view, left side elevational view, right side elevational view, and bottom plan view of the lantern with the handle in the second position have been omitted because these views are readily apparent from the views illustrated in FIGS. 8 and 9.

Primary Examiner—Marcus A. Jackson
Attorney, Agent, or Firm—Fitzpatrick, Cella, Harper & Scinto

1 Claim, 9 Drawing Sheets



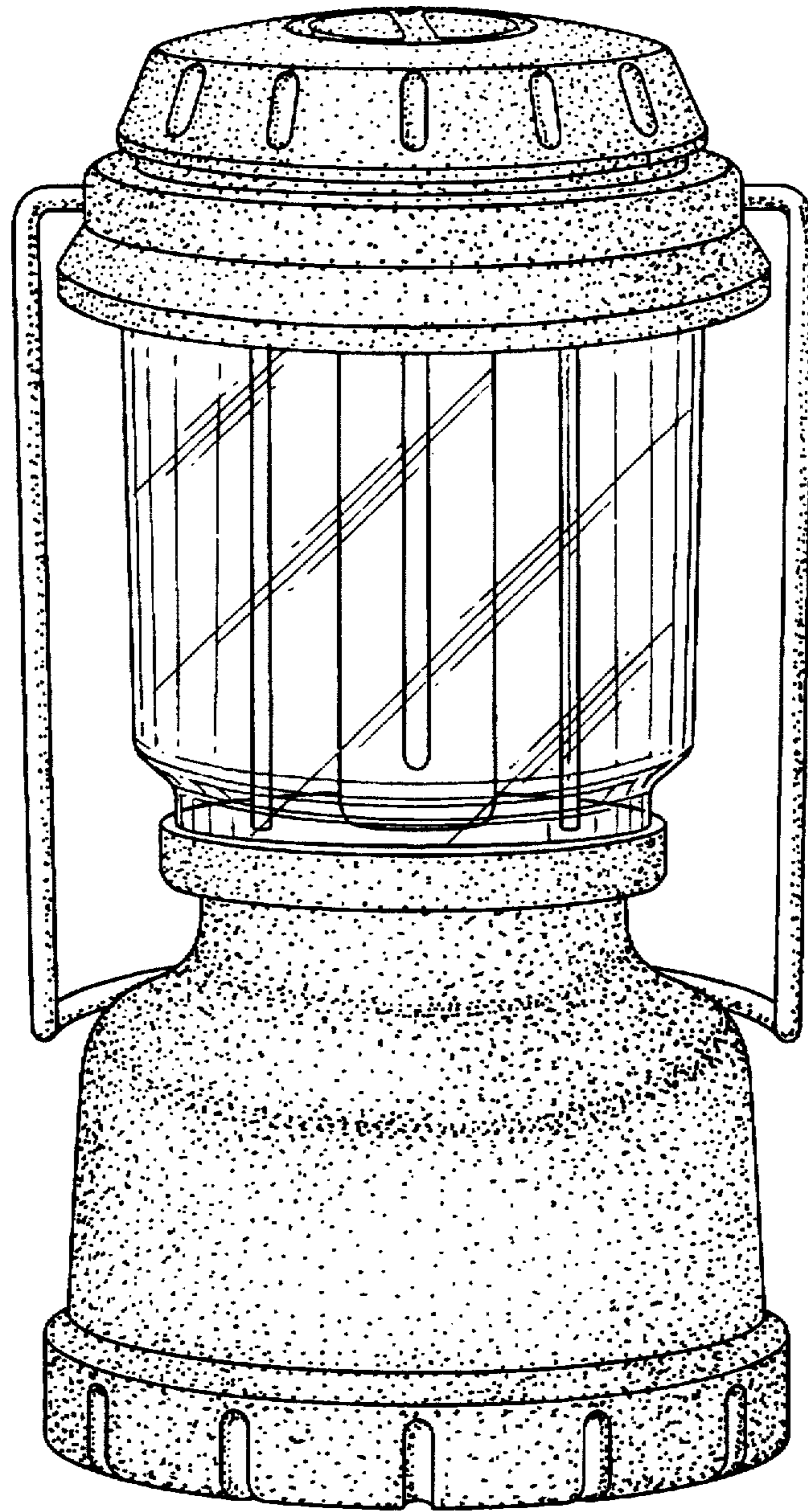


FIG. 1

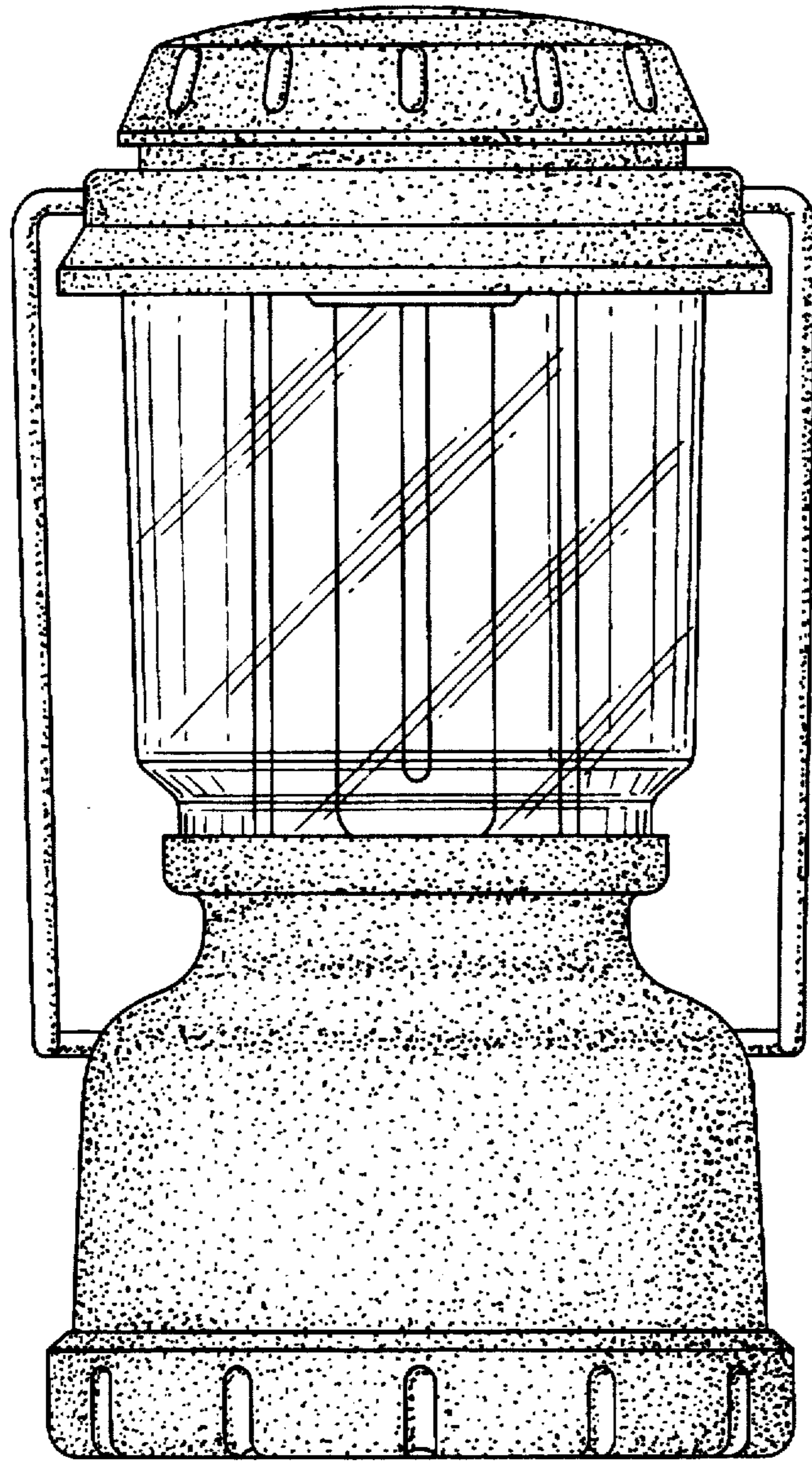


FIG. 2

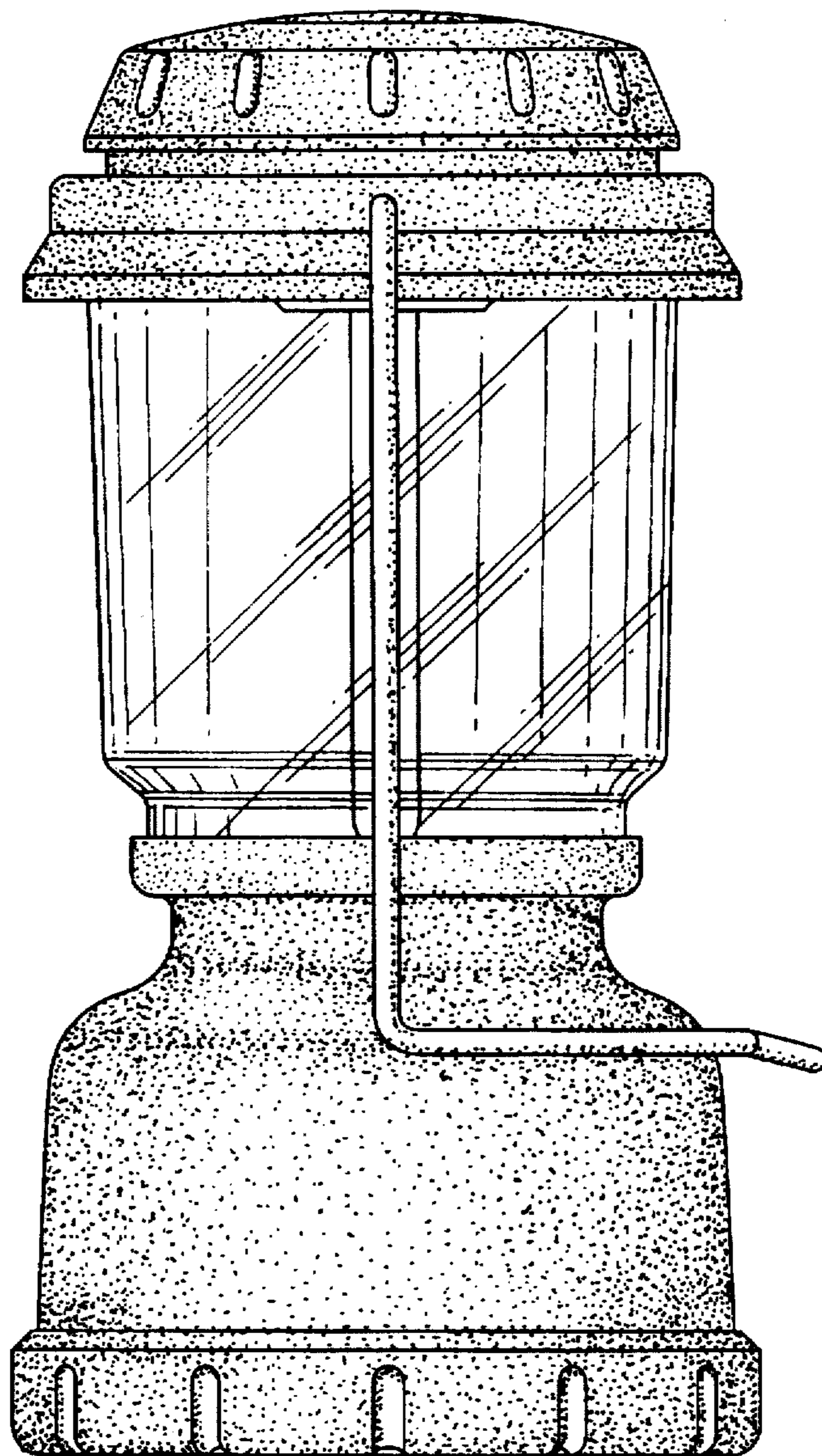


FIG. 3

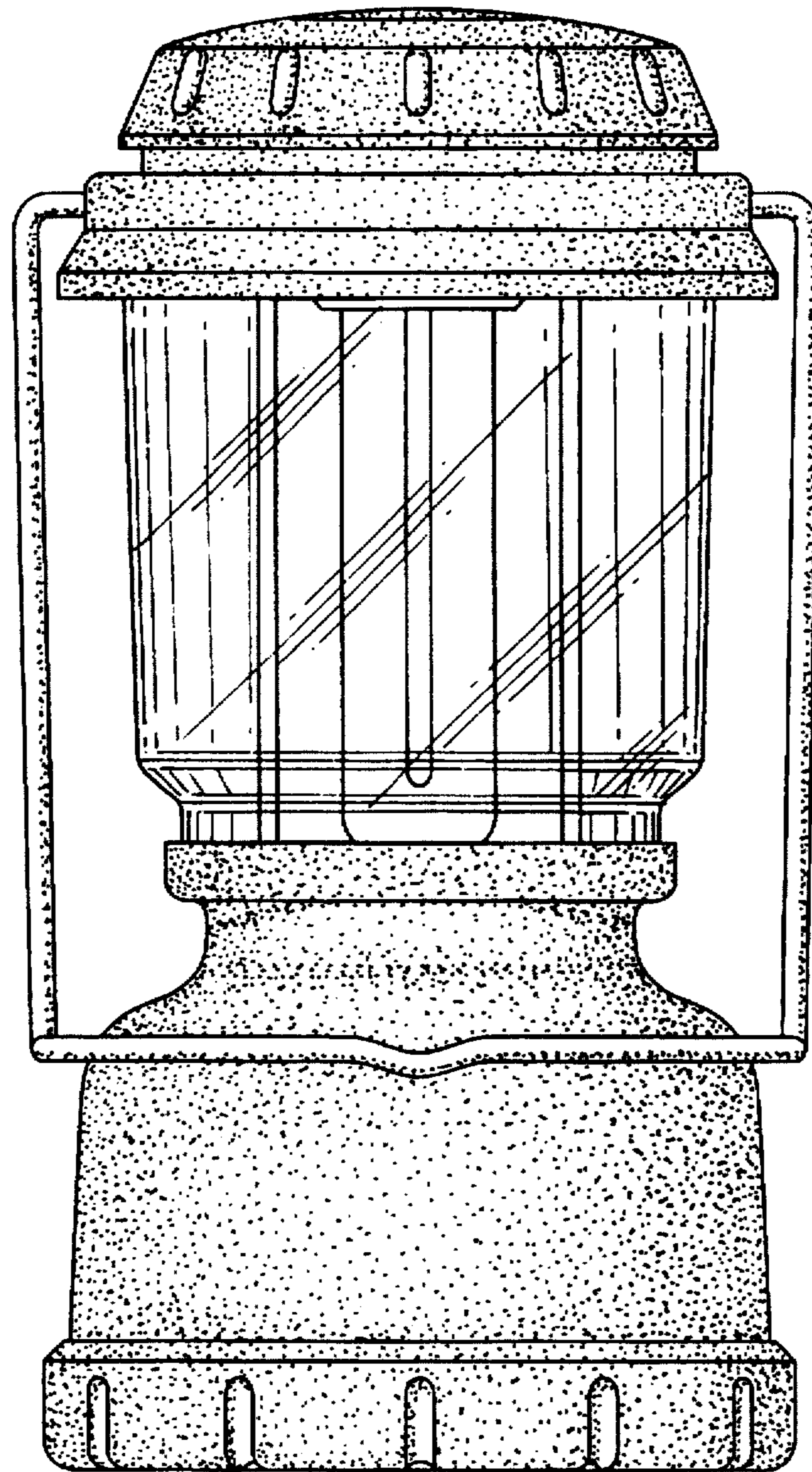


FIG. 4

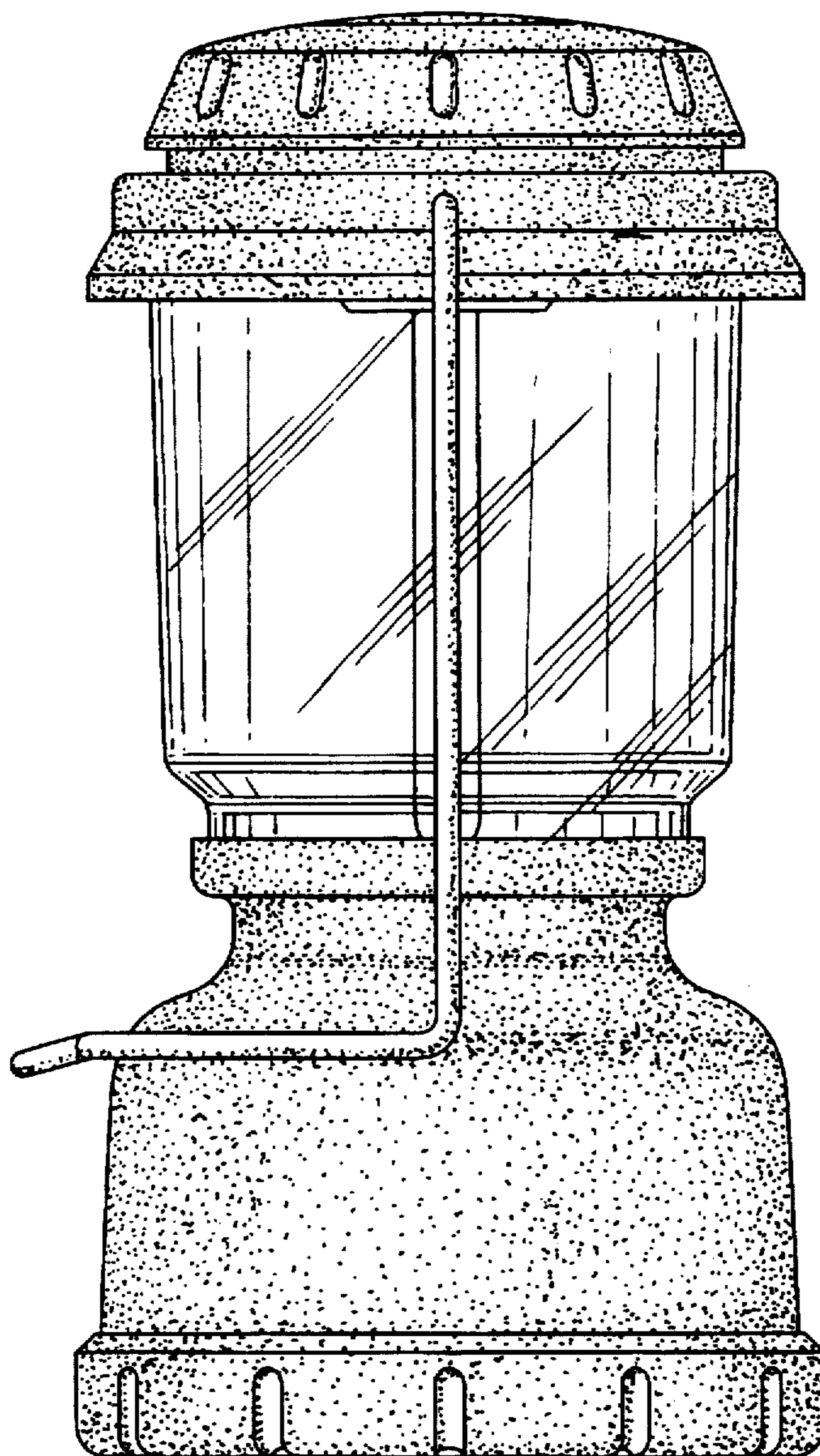


FIG. 5

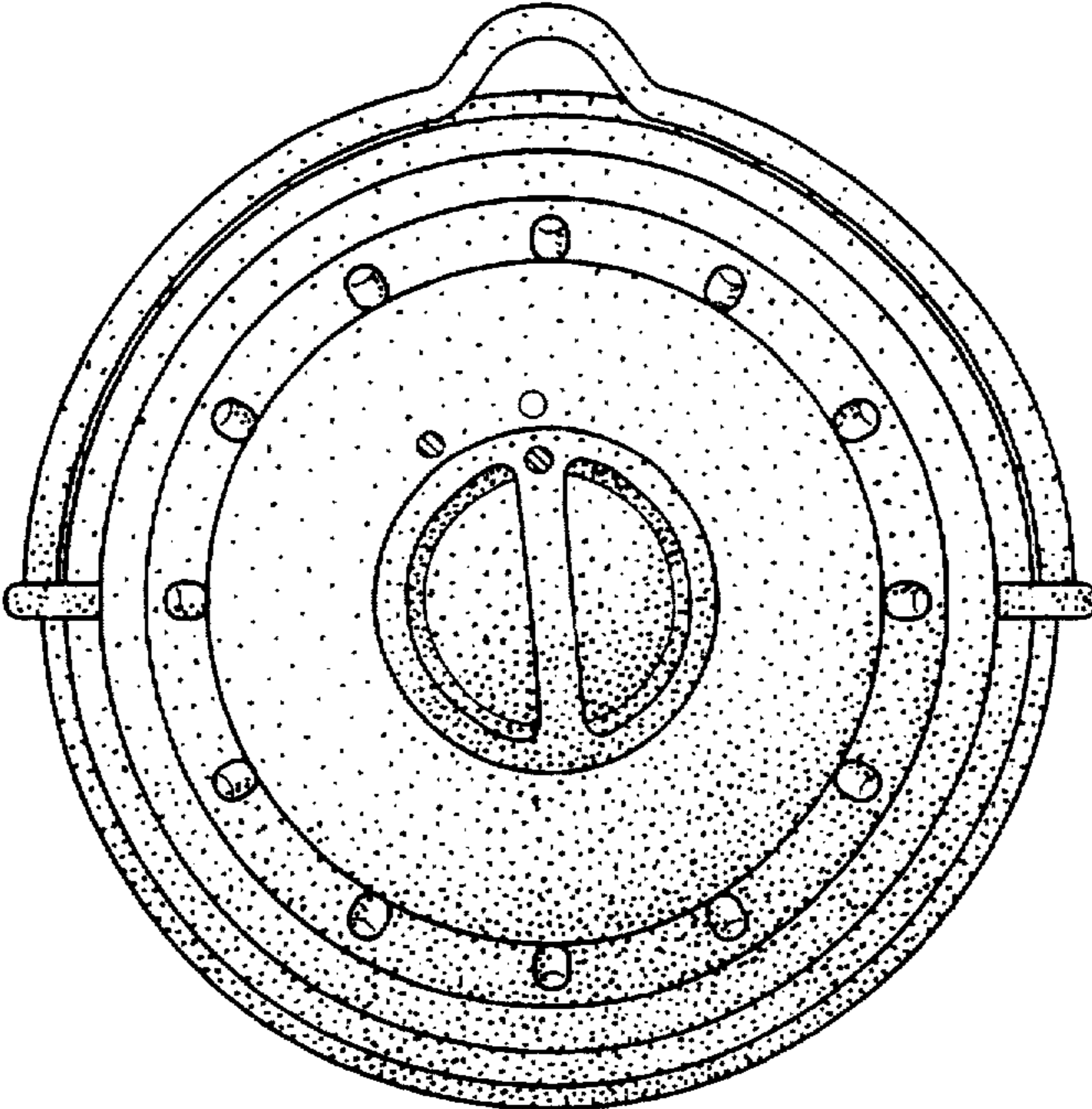


FIG. 6

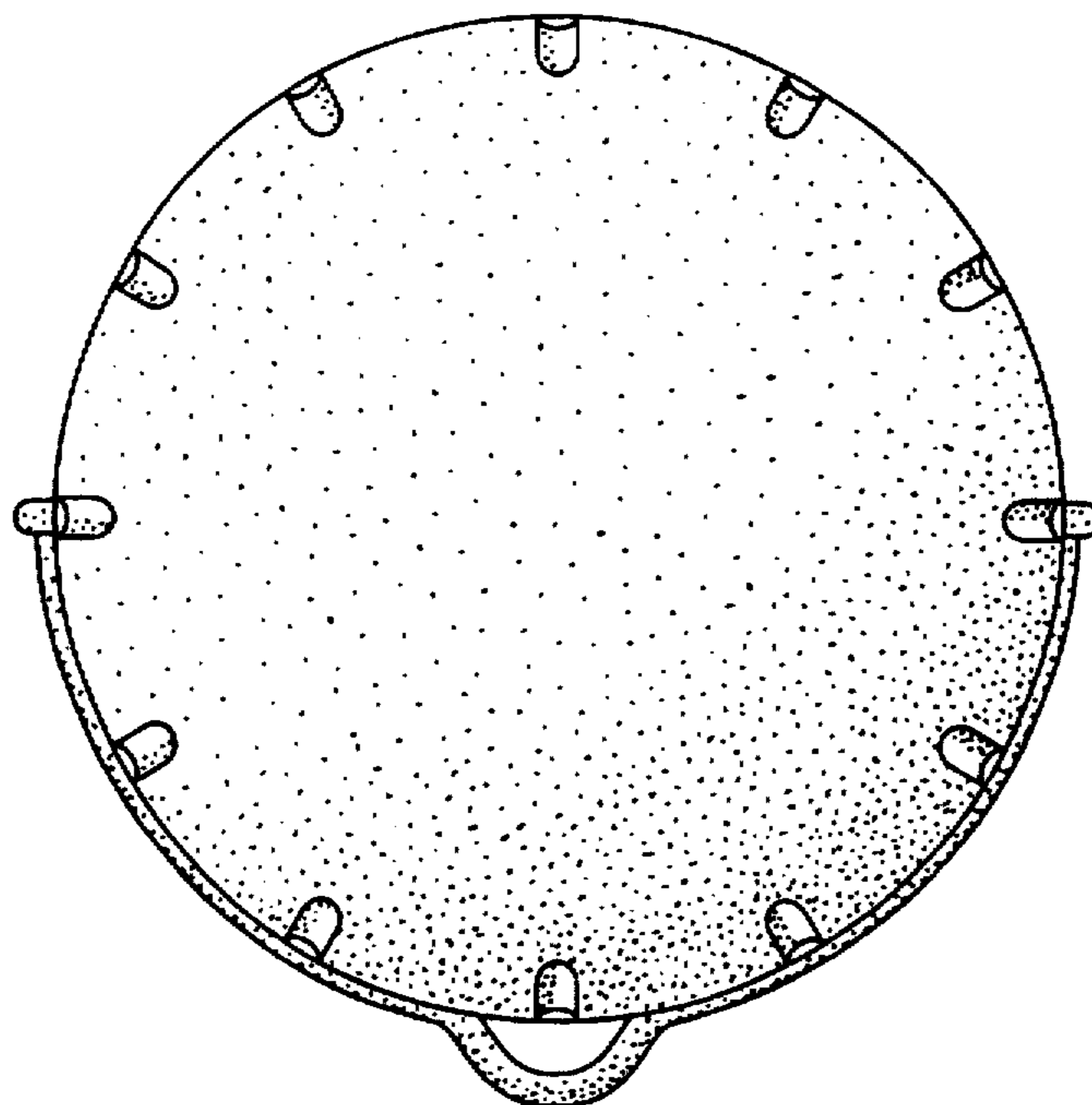


FIG. 7

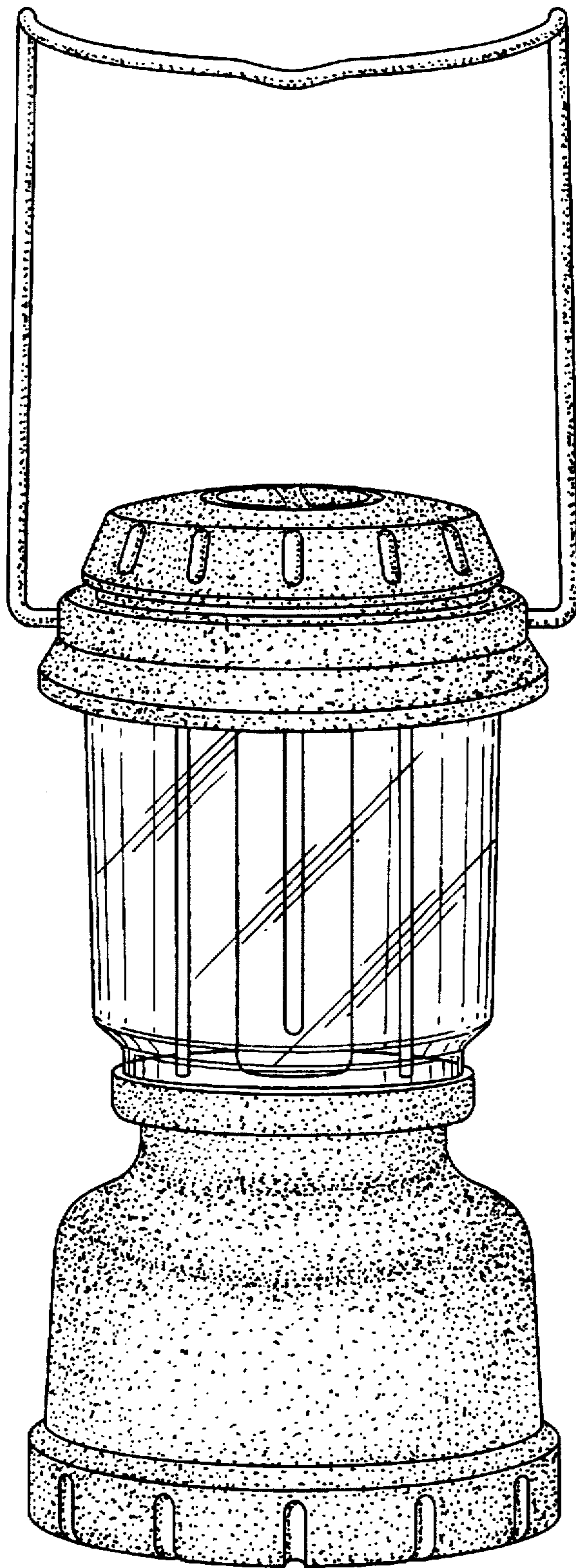


FIG. 8

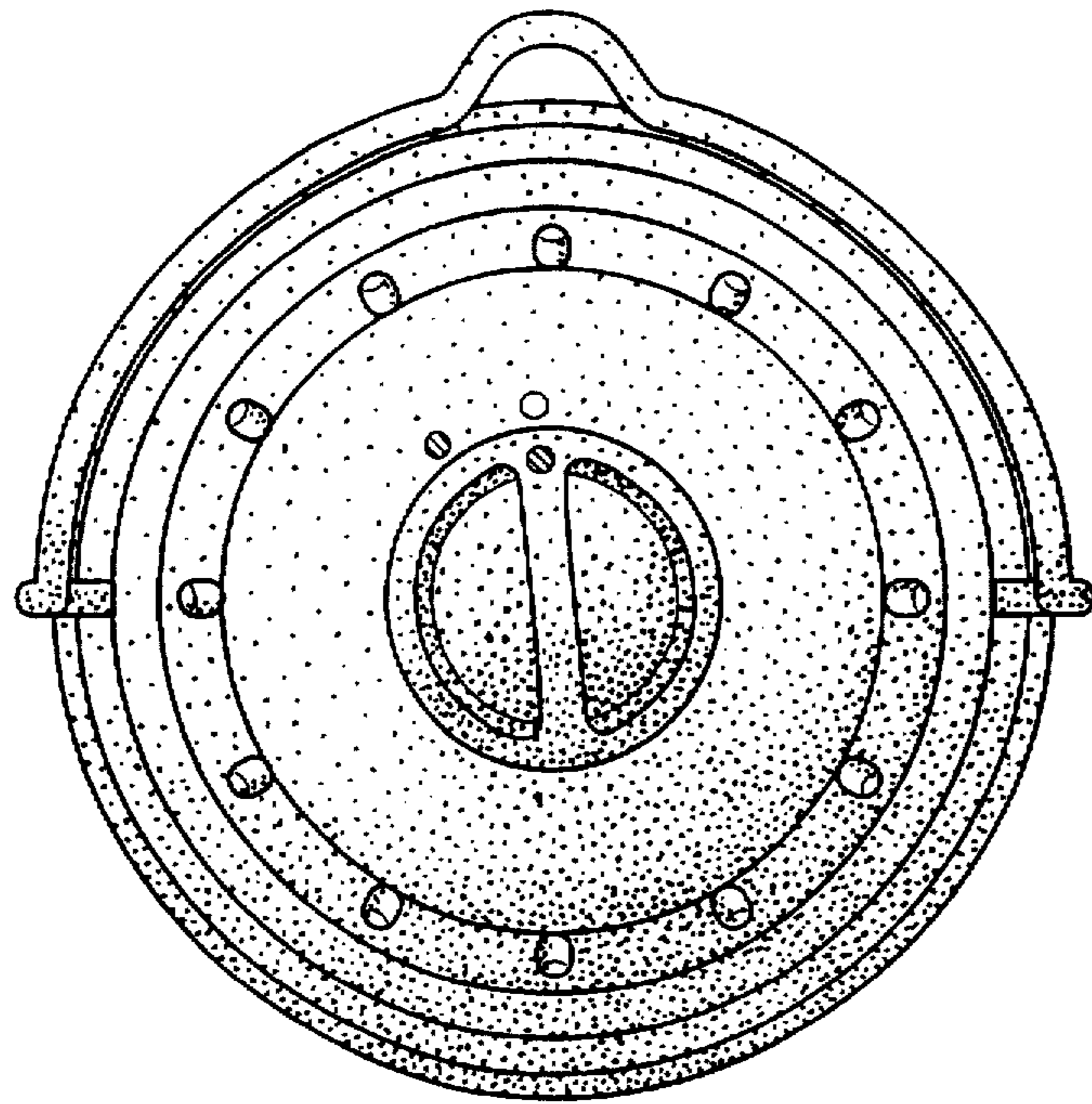


FIG. 9