



US00D397465S

United States Patent [19]

Youri

[11] Patent Number: Des. 397,465

[45] Date of Patent: **Aug. 25, 1998

[54] TOILET LIGHT

[76] Inventor: Franklin Youri, 4398 Silva Ave., San Jose, Calif. 95118

[**] Term: 14 Years

[21] Appl. No.: 56,531

[22] Filed: Jul. 1, 1996

[51] LOC (6) Cl. 26-02

[52] U.S. Cl. D26/38

[58] Field of Search D26/37-50; 362/157, 362/158, 183, 184, 187-202

[56] References Cited

U.S. PATENT DOCUMENTS

D. 361,633	8/1995	Chabria	D26/37
D. 366,721	1/1996	Borden	D26/37
D. 367,087	2/1996	Mathews	D26/37
D. 375,372	11/1996	Allen	D26/37
D. 383,228	9/1997	Petruzzi	D26/37

Primary Examiner—Marcus A. Jackson

[57] CLAIM

The ornamental design for a toilet light, as shown and described.

DESCRIPTION

FIG. 1 is a right view of the toilet light showing my new design;

FIG. 2 is a left view thereof;

FIG. 3 is a rear elevational view thereof;

FIG. 4 is a front elevational view thereof;

FIG. 5 is a top plan view thereof;

FIG. 6 is a bottom plan view thereof with adhesive tape; and,

FIG. 7 is an isometric view thereof;

FIG. 8 is a reduced perspective view thereof, with the broken line showing for illustrative purposes only and forming no part of the claimed design; and,

FIG. 9 is a perspective view thereof.

1 Claim, 3 Drawing Sheets

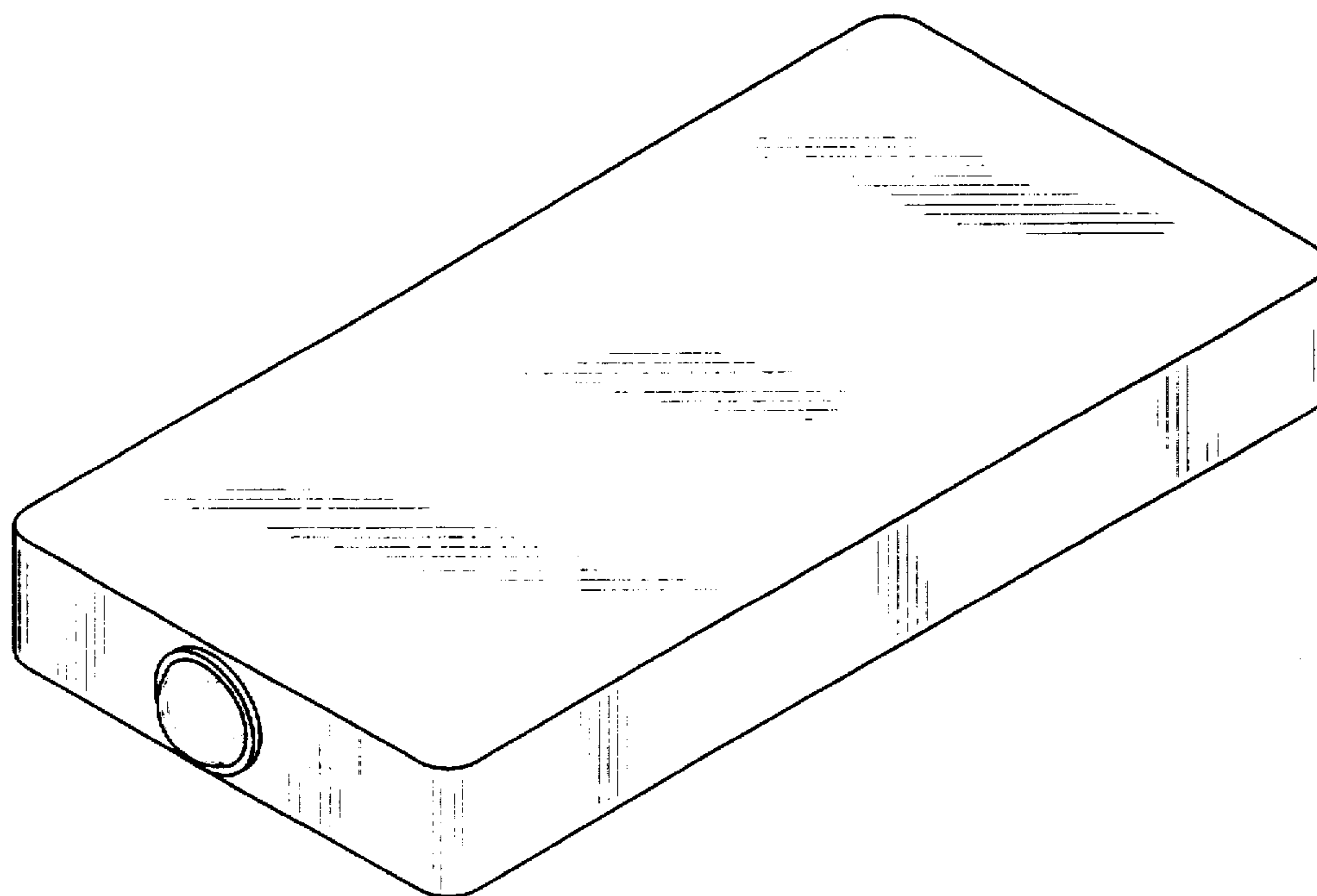


FIG. 1

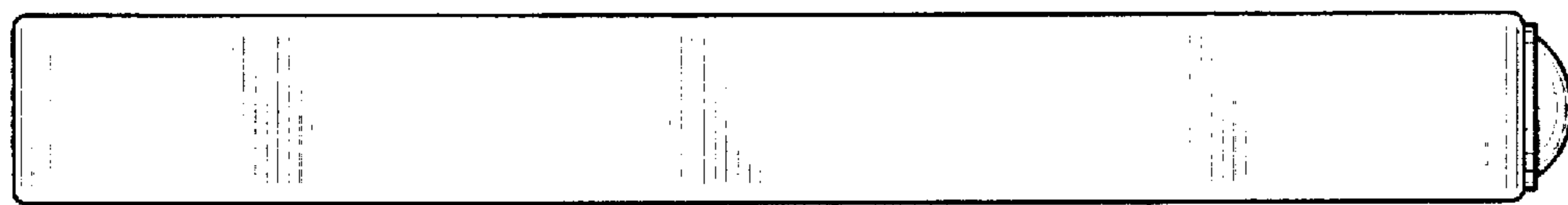


FIG. 2

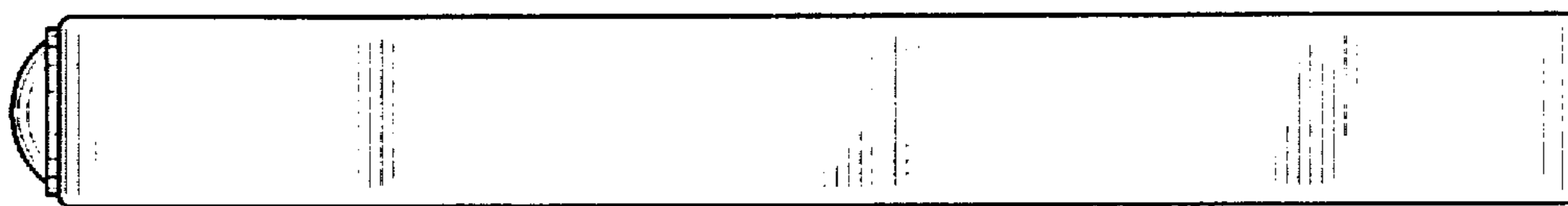


FIG. 3



FIG. 4

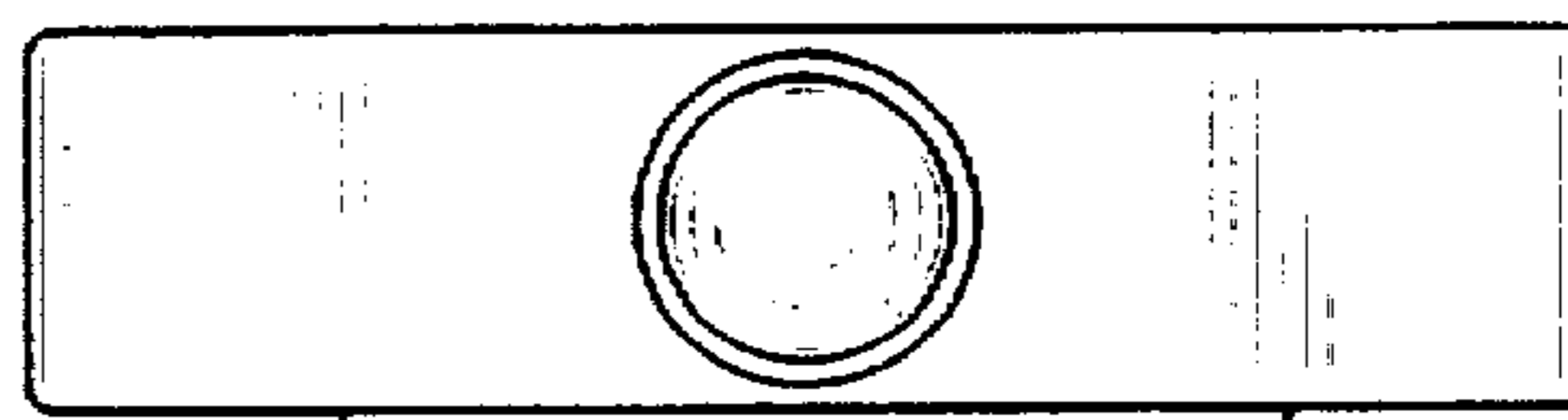


FIG. 5

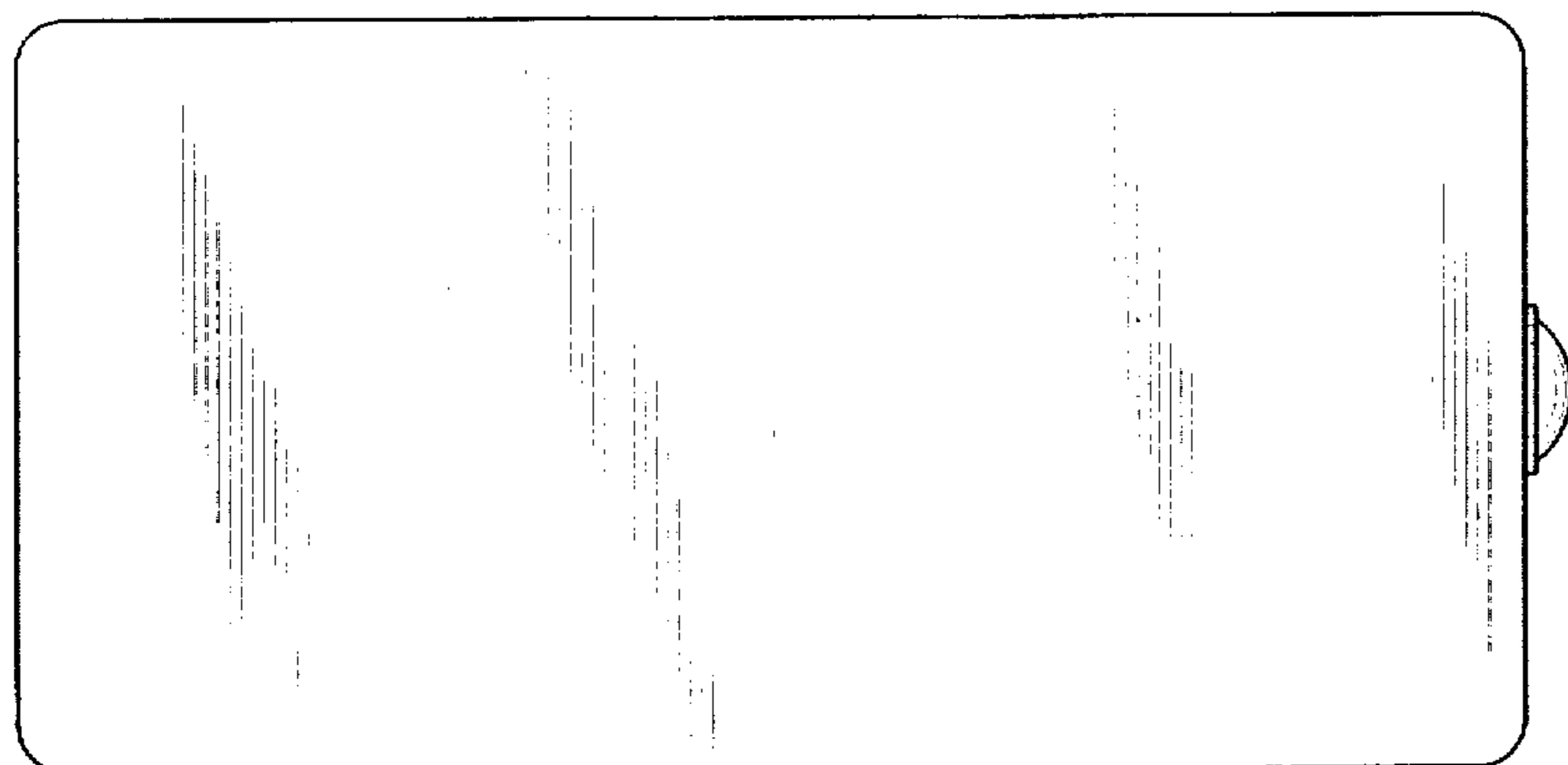


FIG. 6

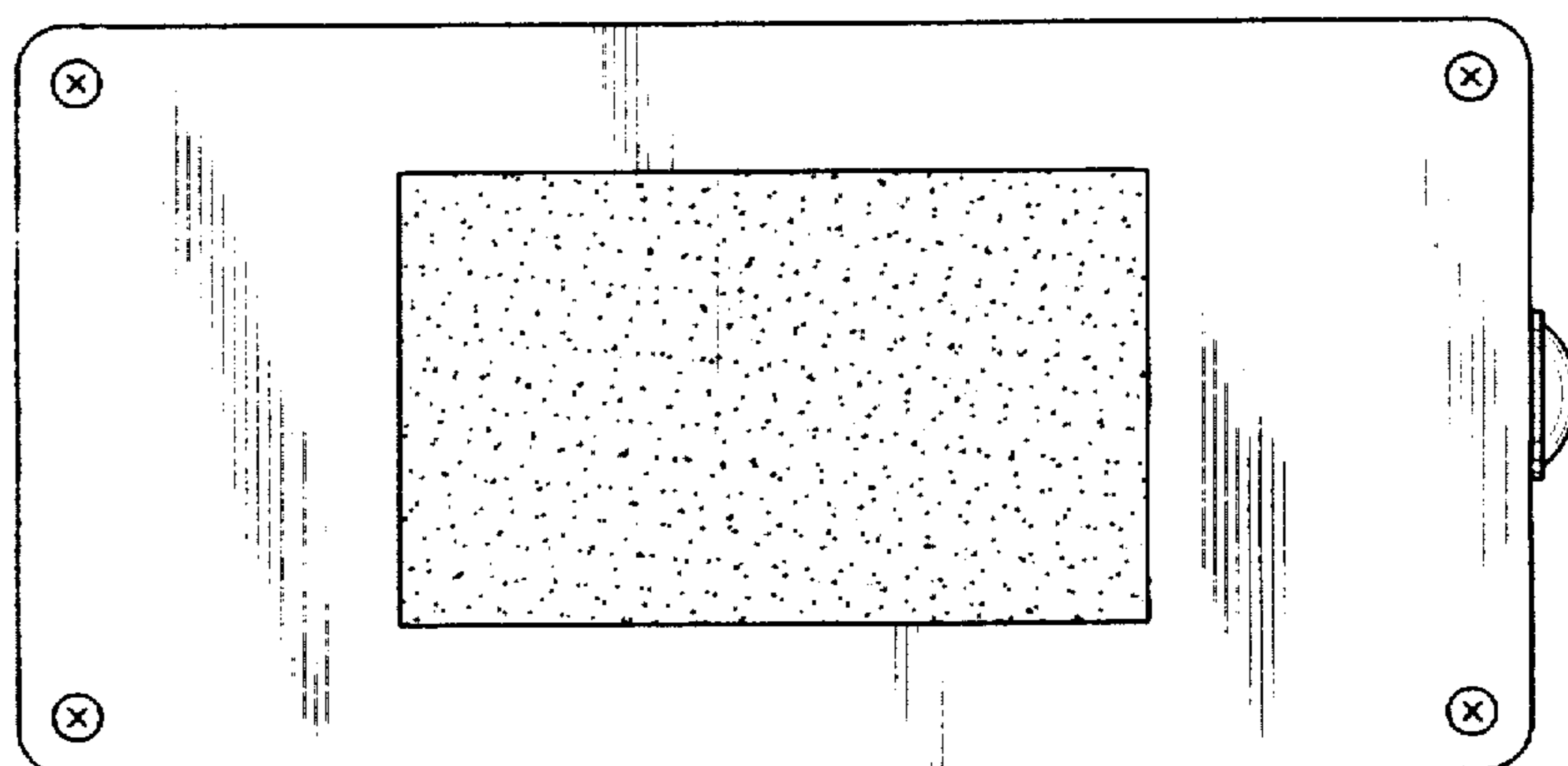


FIG. 7

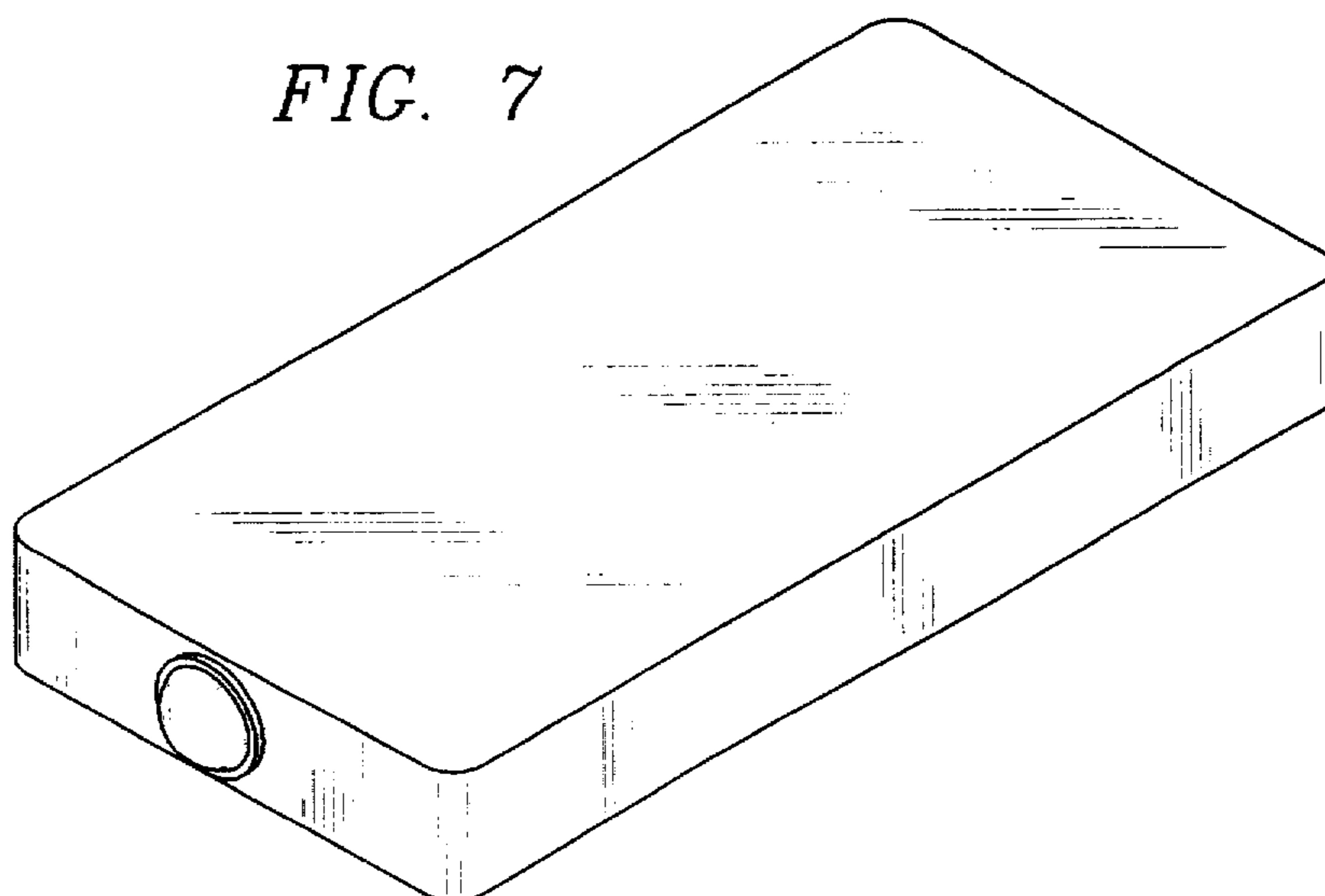


FIG. 8

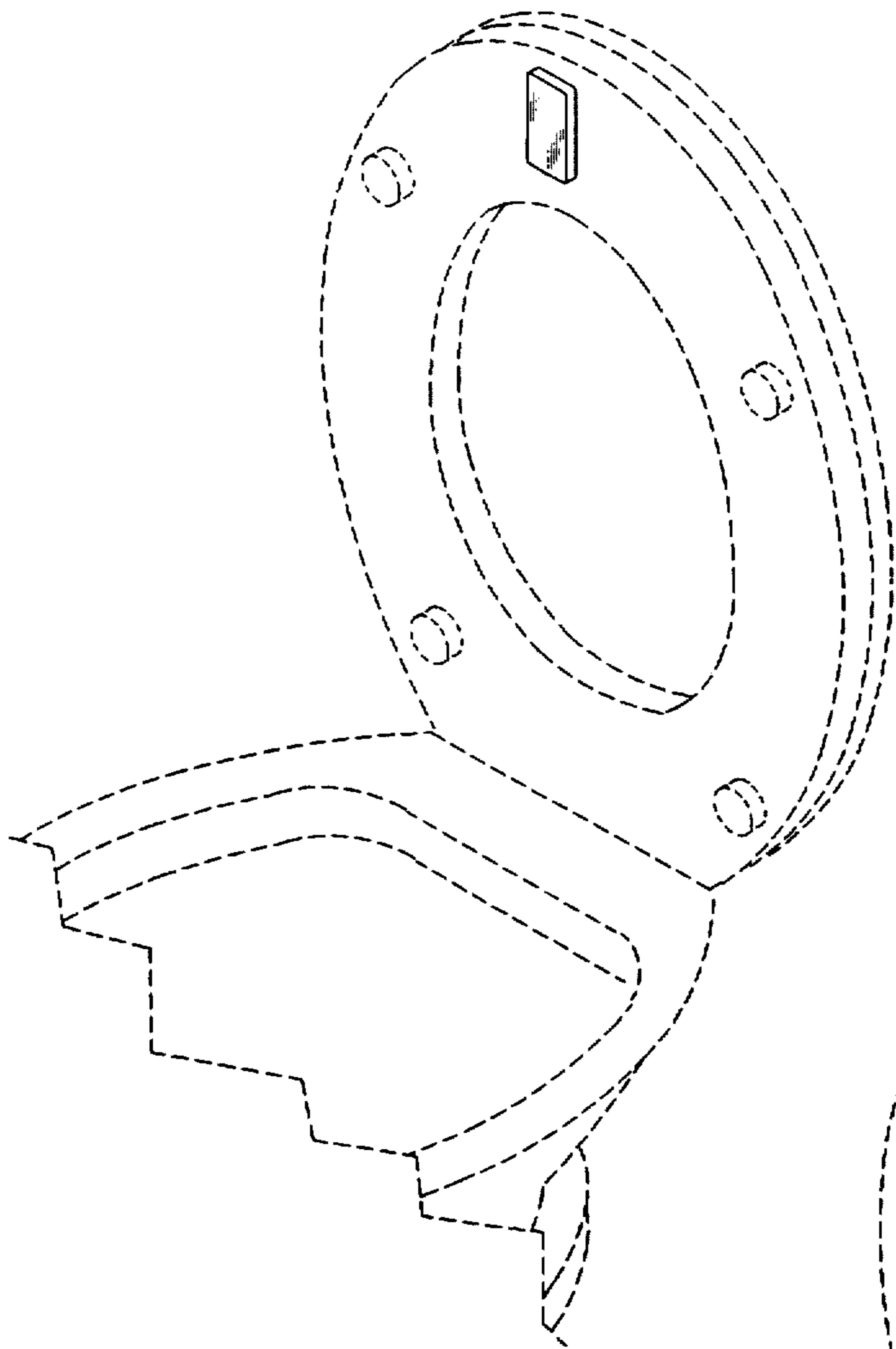


FIG. 9

