



US00D397464S

United States Patent [19]

Concari et al.

[11] Patent Number: **Des. 397,464**

[45] Date of Patent: ****Aug. 25, 1998**

[54] FLASHLIGHT

[75] Inventors: **Gabriel E. Concari**, Eldersburg;
Gregory Scott Snider, Bel Air, both of Md.

[73] Assignee: **Black & Decker Inc.**, Newark, Del.

[**] Term: **14 Years**

[21] Appl. No.: **75,966**

[22] Filed: **Jul. 29, 1997**

[51] LOC (6) Cl. **26-02**

[52] U.S. Cl. **D26/37**

[58] Field of Search **D26/37-50; 362/157, 362/158, 183-208**

[56] **References Cited**

U.S. PATENT DOCUMENTS

D. 153,282	4/1949	Haas	D26/49
D. 205,679	9/1966	Moore et al.	..	
D. 280,028	8/1985	Petterson	D26/49
D. 331,118	11/1992	Yeung	D26/49
D. 334,993	4/1993	Lee	..	
D. 345,958	4/1994	Keller et al.	..	

D. 351,675	10/1994	Sharrah et al.	..	
D. 356,651	3/1995	Stephen	D26/49
D. 367,935	3/1996	Burns	..	
D. 368,318	3/1996	Furth et al.	D26/49
4,388,673	6/1983	Maglica	362/183
5,165,048	11/1992	Keller et al.	320/2
5,432,689	7/1995	Sharrah et al.	362/183

Primary Examiner—Marcus A. Jackson
Attorney, Agent, or Firm—Bruce S. Shapiro; Dennis A. Dearing; John D. Del Ponti

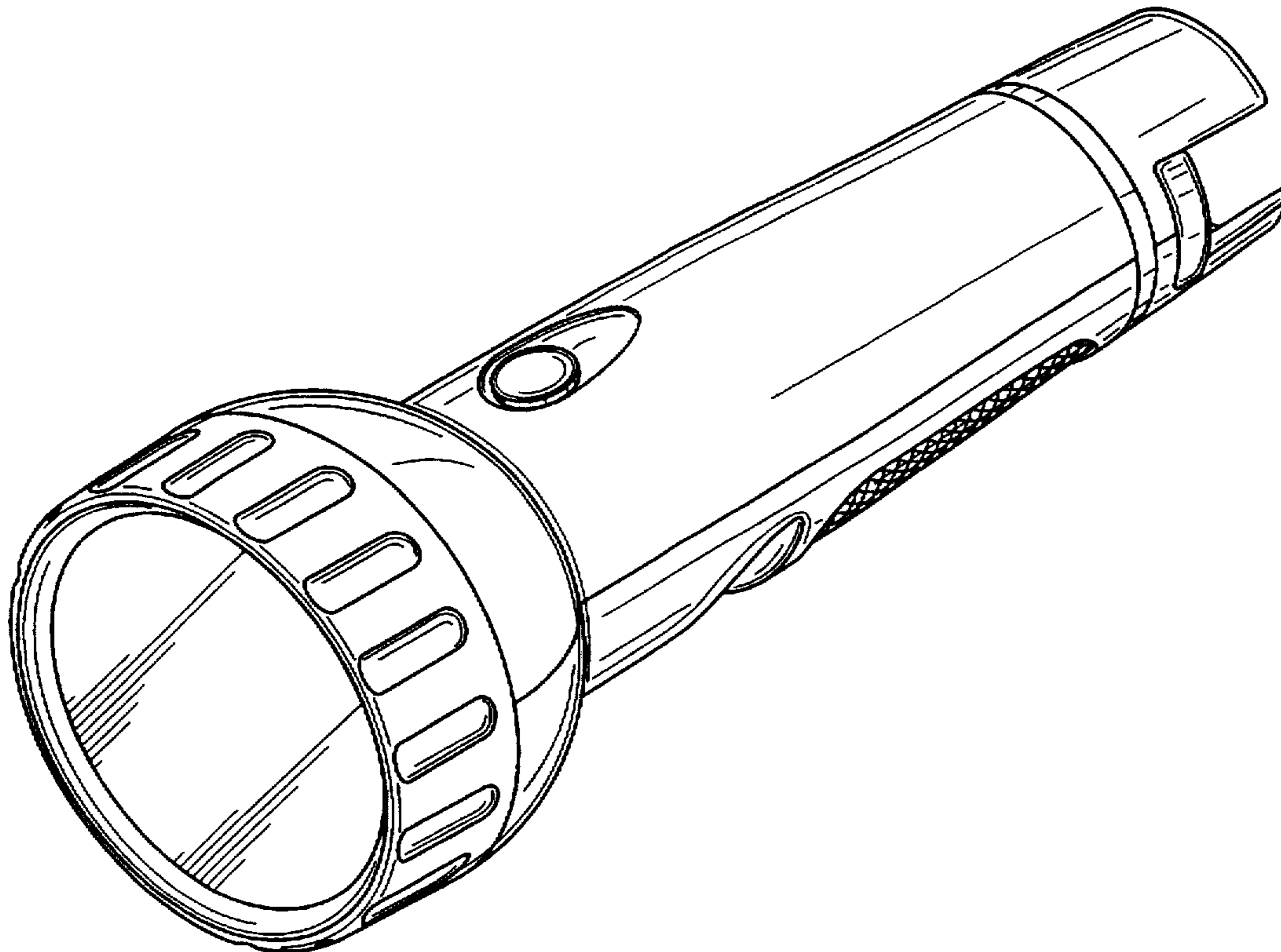
[57] **CLAIM**

The ornamental design for a flashlight, as shown and described.

DESCRIPTION

FIG. 1 is a front perspective view of a flashlight showing our new design;
FIG. 2 is a left side elevational view thereof;
FIG. 3 is a right side elevational view thereof;
FIG. 4 is a front elevational view thereof;
FIG. 5 is a rear elevational view thereof;
FIG. 6 is a top plan view thereof; and,
FIG. 7 is a bottom plan view thereof.

1 Claim, 4 Drawing Sheets



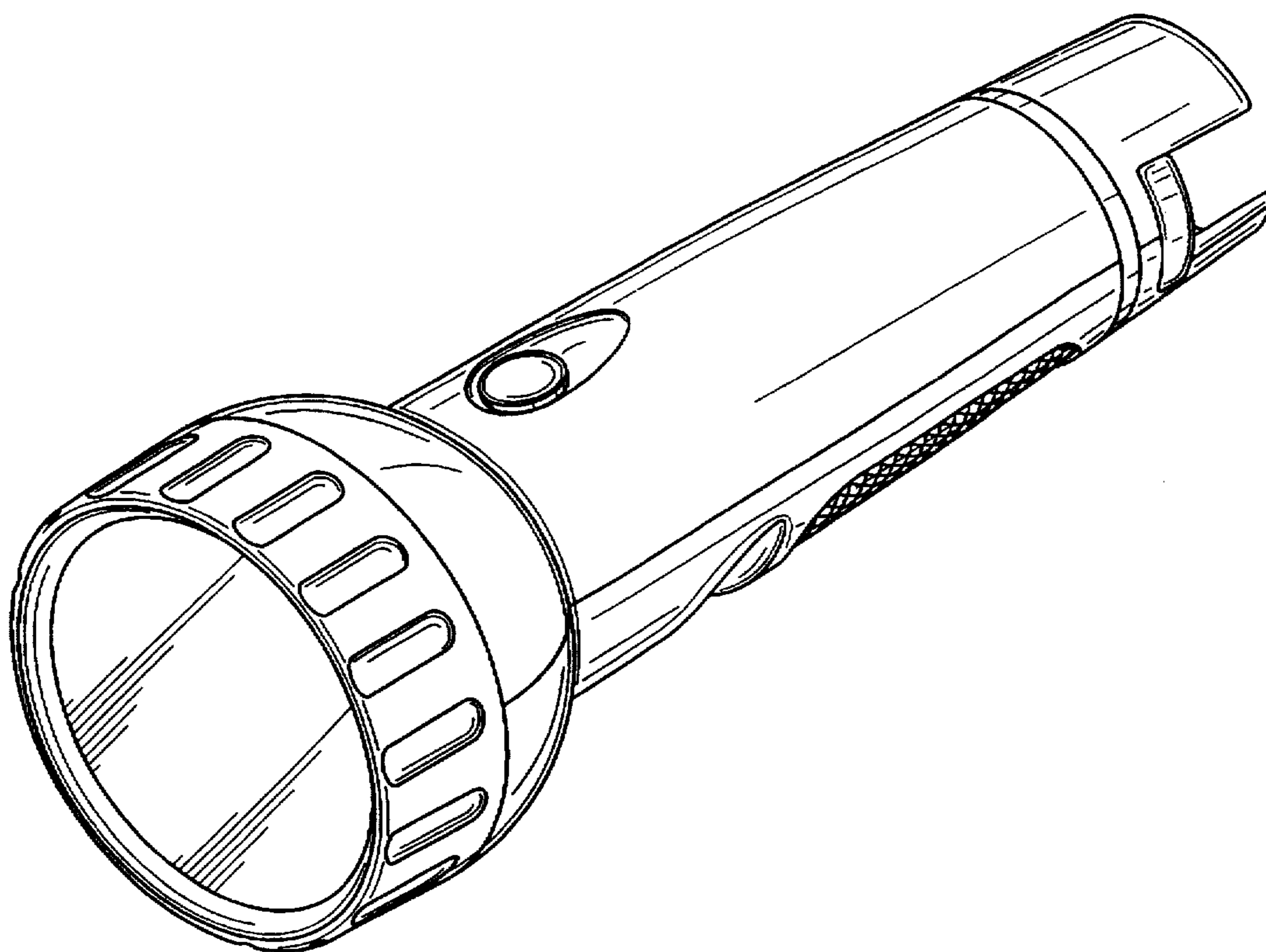


FIG. 1

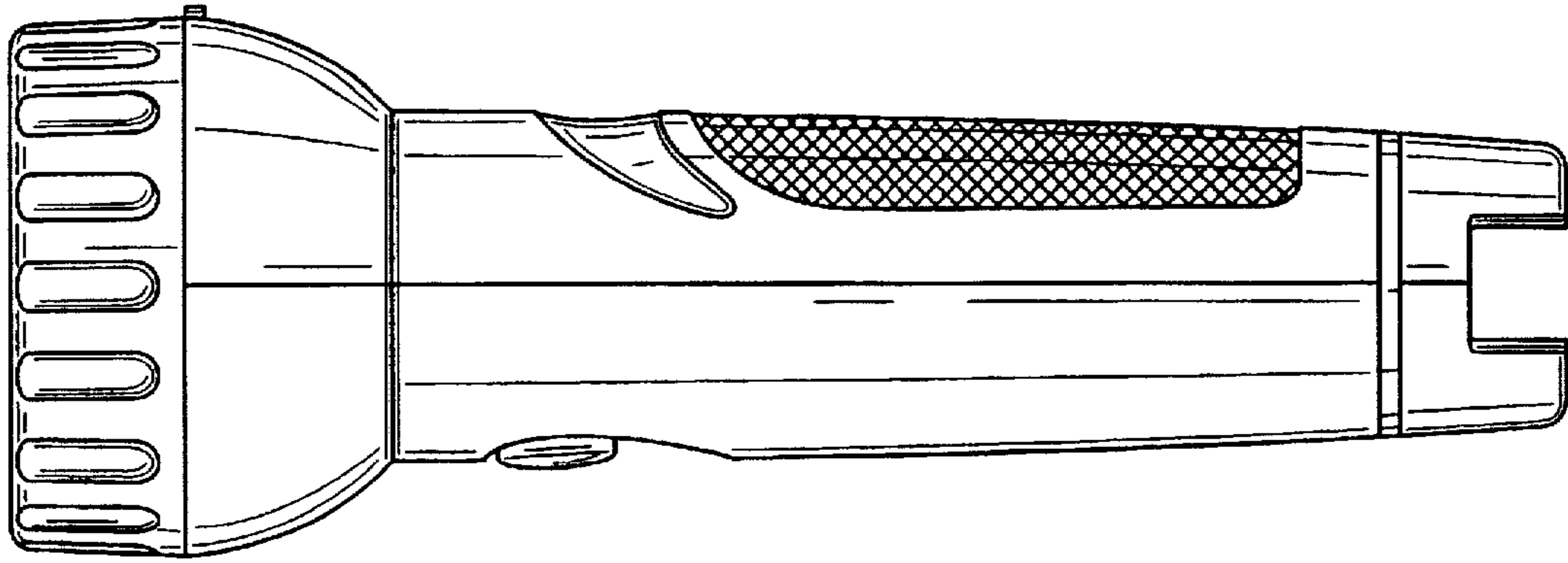


FIG. 3

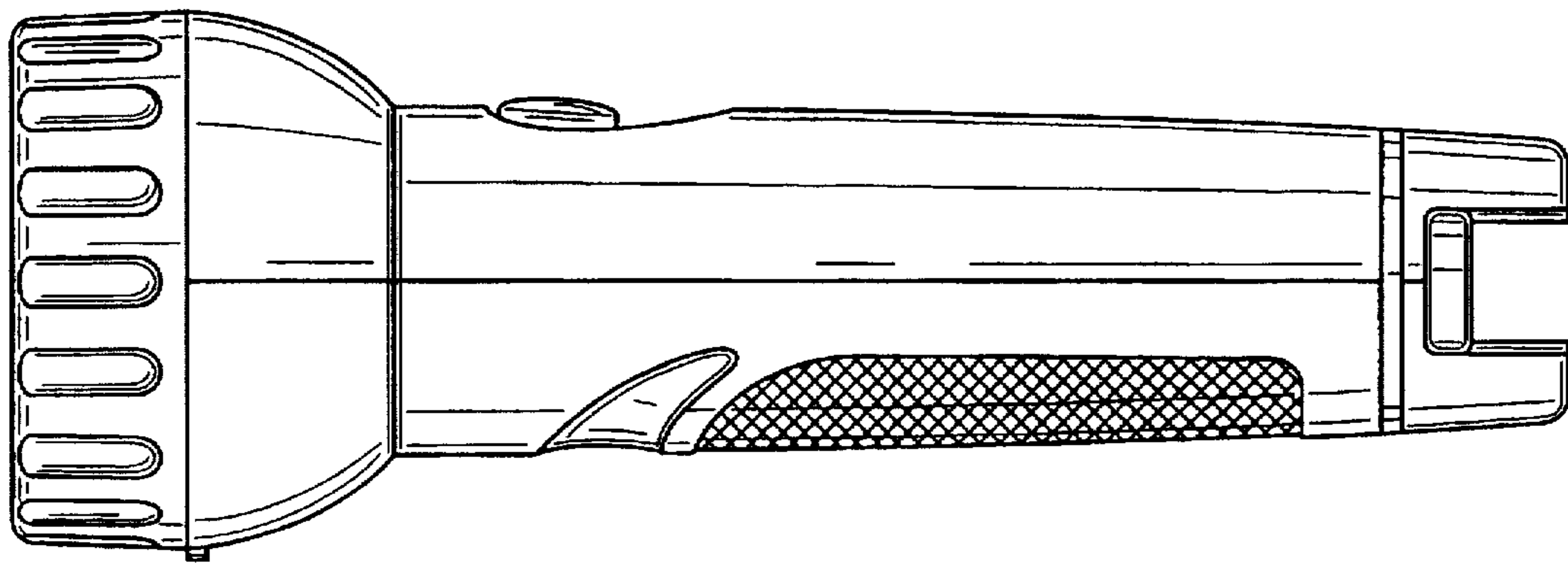


FIG. 2

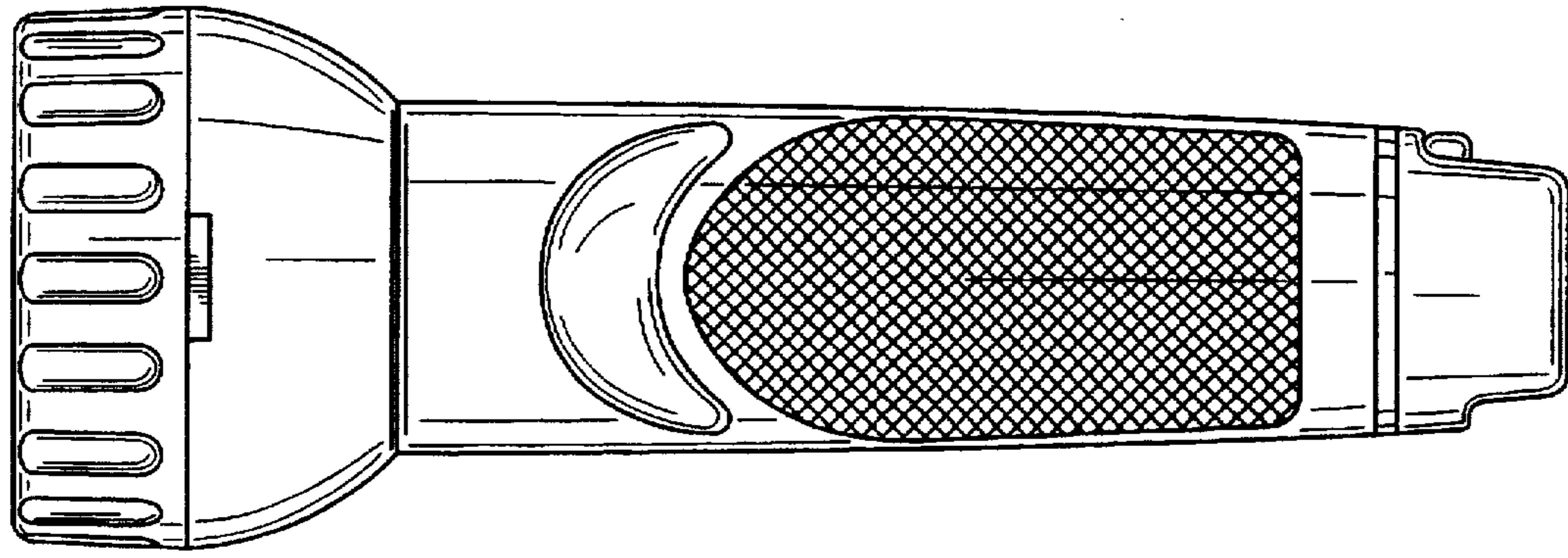


FIG. 5

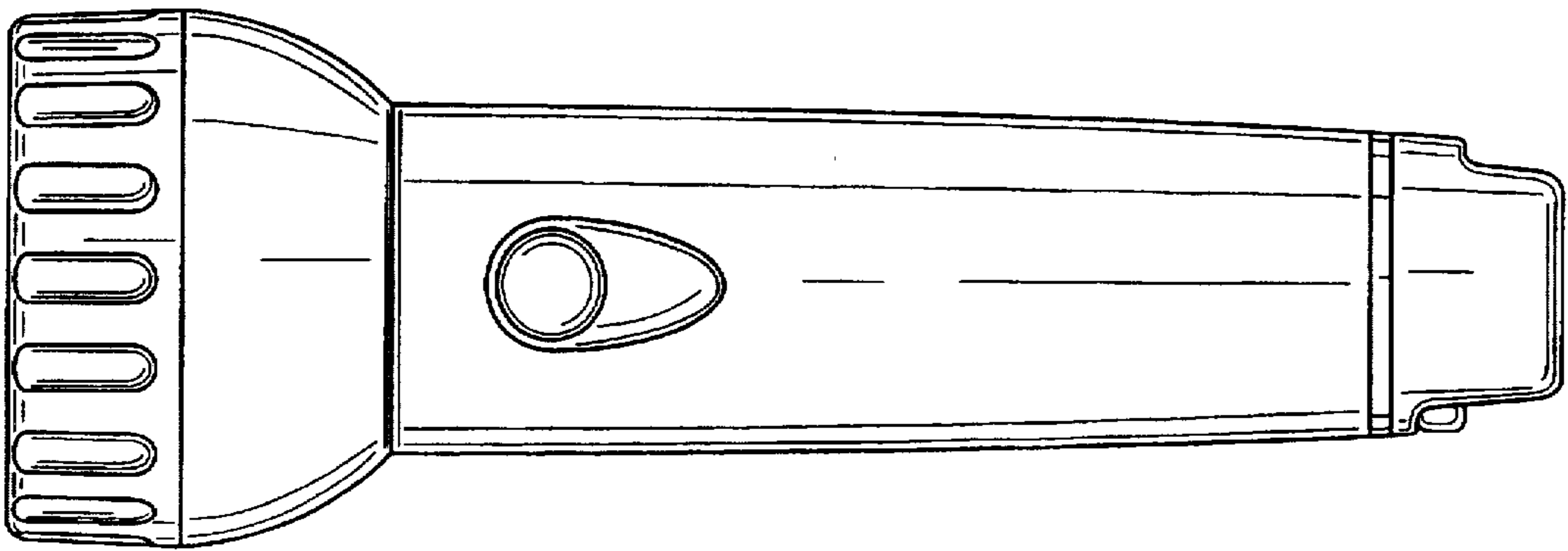


FIG. 4

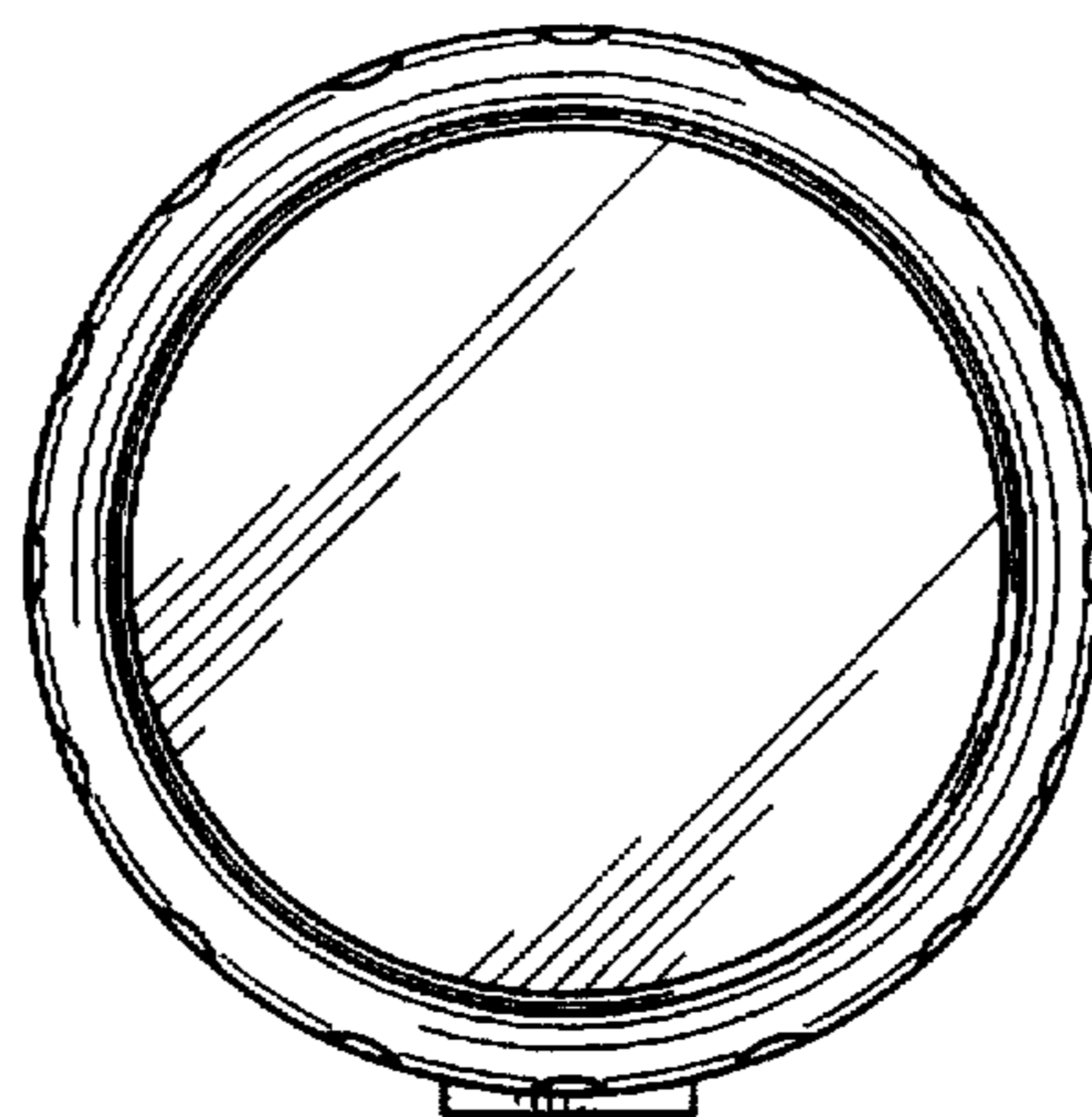


FIG. 6

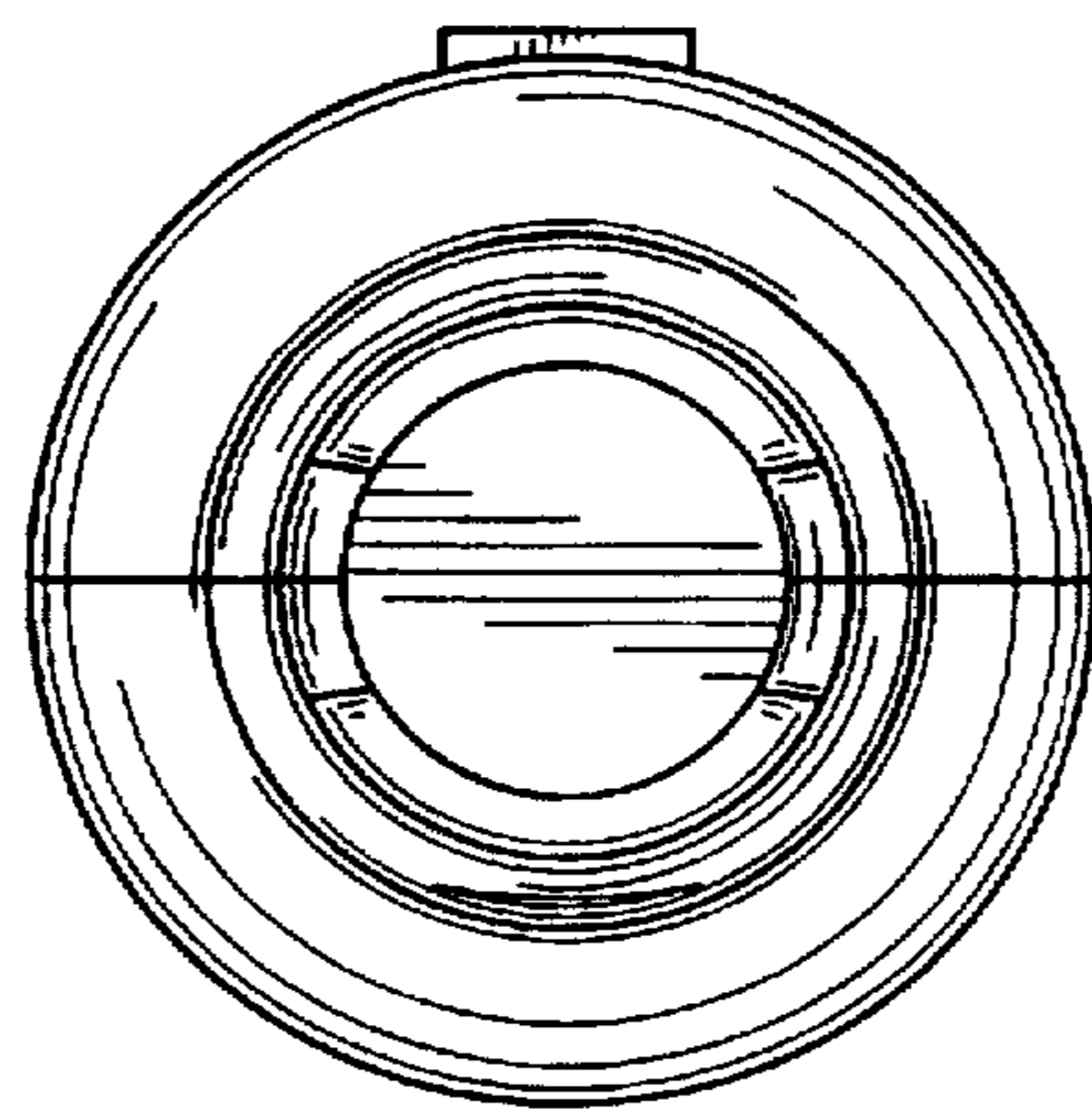


FIG. 7