



US00D397458S

United States Patent [19]

Higano et al.

[11] Patent Number: **Des. 397,458**

[45] Date of Patent: ****Aug. 25, 1998**

[54] LAMP

D. 334,243	3/1993	Higano	D26/2
3,555,341	1/1971	Cartis	313/318
5,018,992	5/1991	Bergin et al.	313/318

[75] Inventors: **Masahito Higano**, Kamitsuga-gun;
Munehiko Yamagita, Utsunomiya, both
of Japan

Primary Examiner—Marcus A. Jackson
Attorney, Agent, or Firm—Morrison Law Firm

[73] Assignee: **Moriyama Sangyo Kabushiki Kaisha**,
Tokyo, Japan

[**] Term: **14 Years**

[57] CLAIM

The ornamental design for a lamp, as shown and described.

[21] Appl. No.: **74,243**

DESCRIPTION

[22] Filed: **Jul. 30, 1997**

[30] Foreign Application Priority Data

Sep. 30, 1996 [JP] Japan 8-29238

[51] LOC (6) Cl. **26-02**

[52] U.S. Cl. **D26/2**

[58] Field of Search D26/1, 2, 3; D13/134;
313/313, 315, 316, 317, 318; 439/56, 611

FIG. 1 is a perspective view of a lamp showing our design;

FIG. 2 is a front elevational view thereof;

FIG. 3 is a rear elevational view thereof;

FIG. 4 is a top plan view thereof;

FIG. 5 is a bottom plan view thereof;

FIG. 6 is a left side elevational view thereof; and

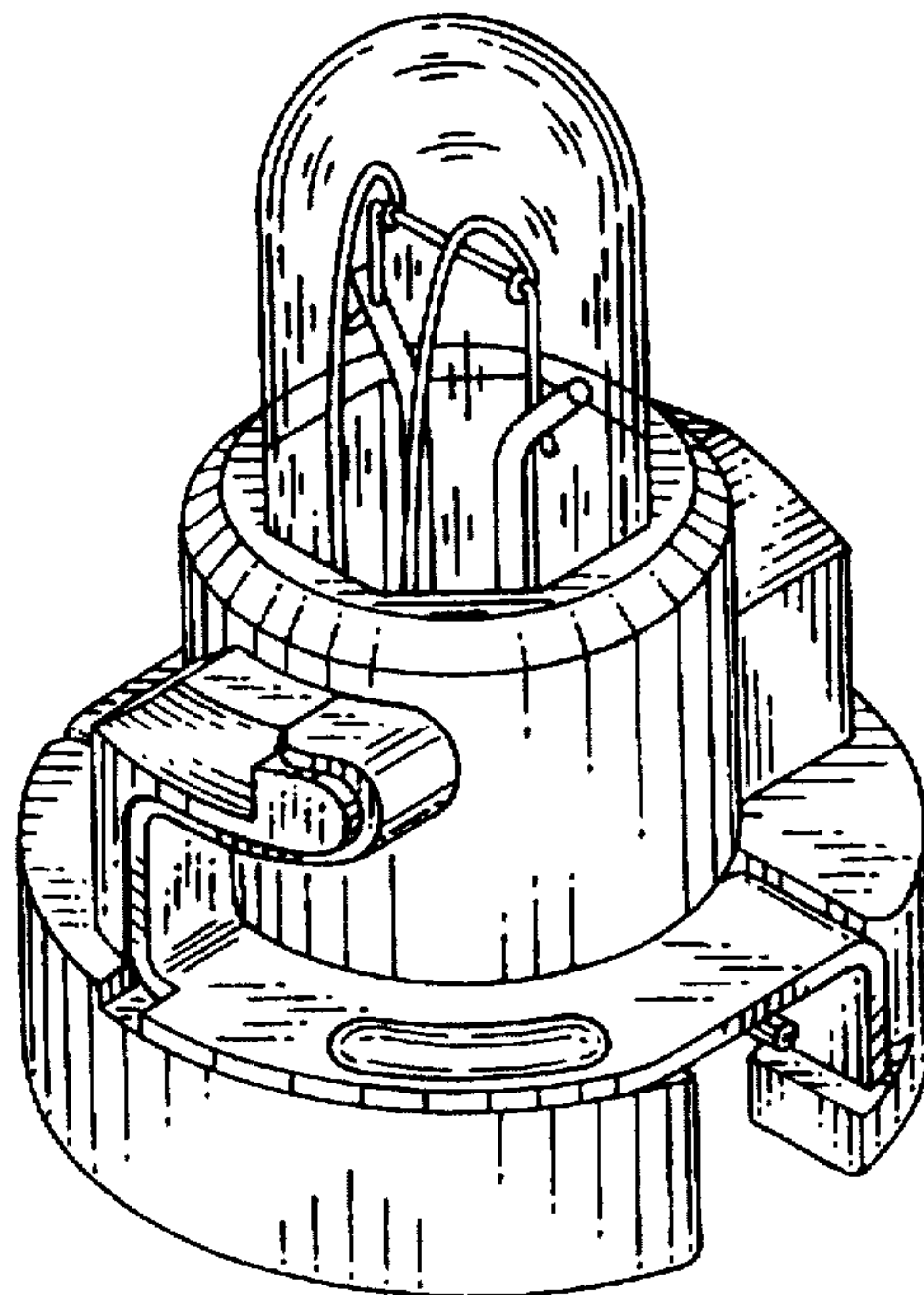
FIG. 7 is a right side elevational view thereof.

[56] References Cited

U.S. PATENT DOCUMENTS

D. 280,766 9/1985 Jujita et al. D26/2

1 Claim, 4 Drawing Sheets



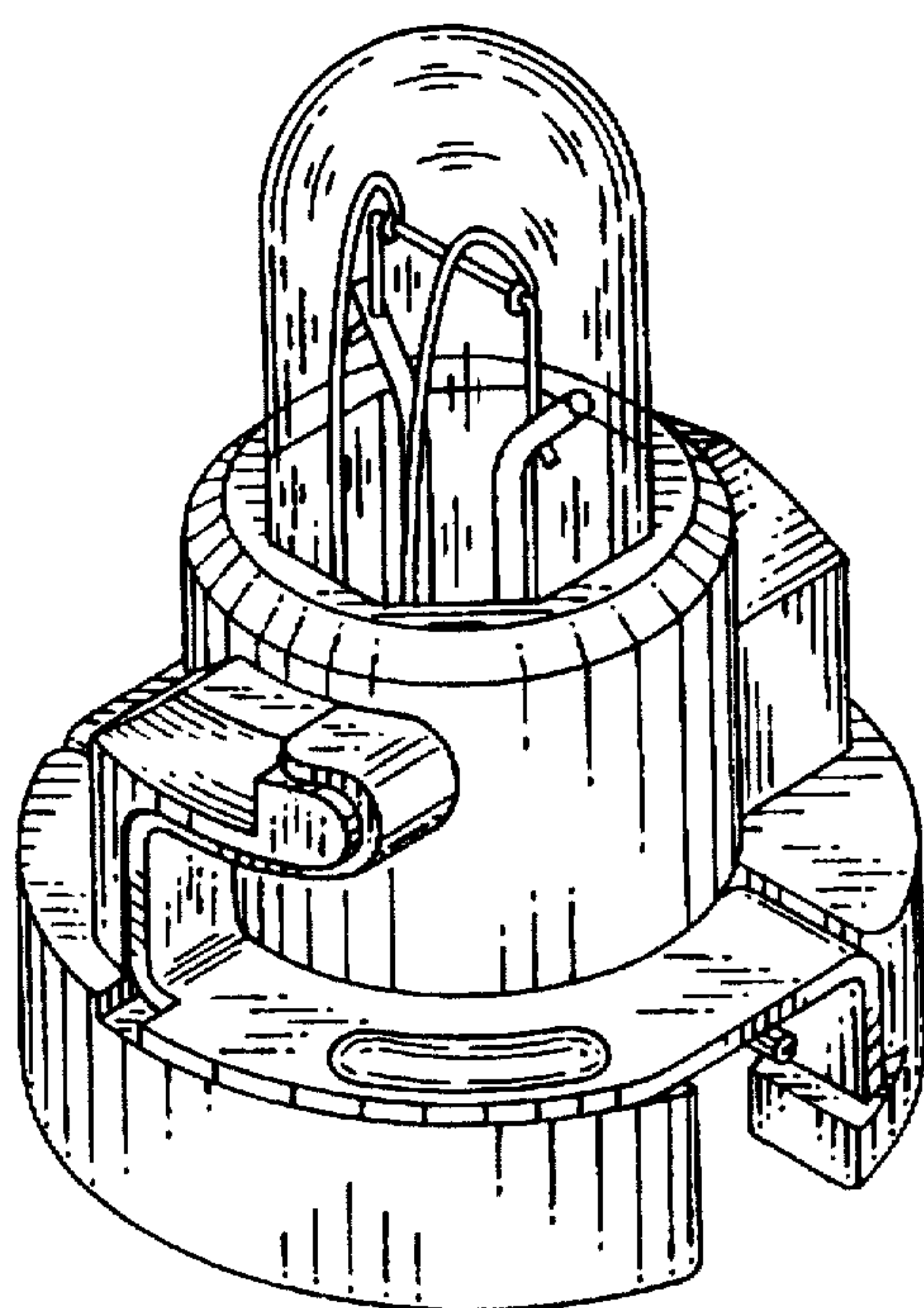


FIG. 1

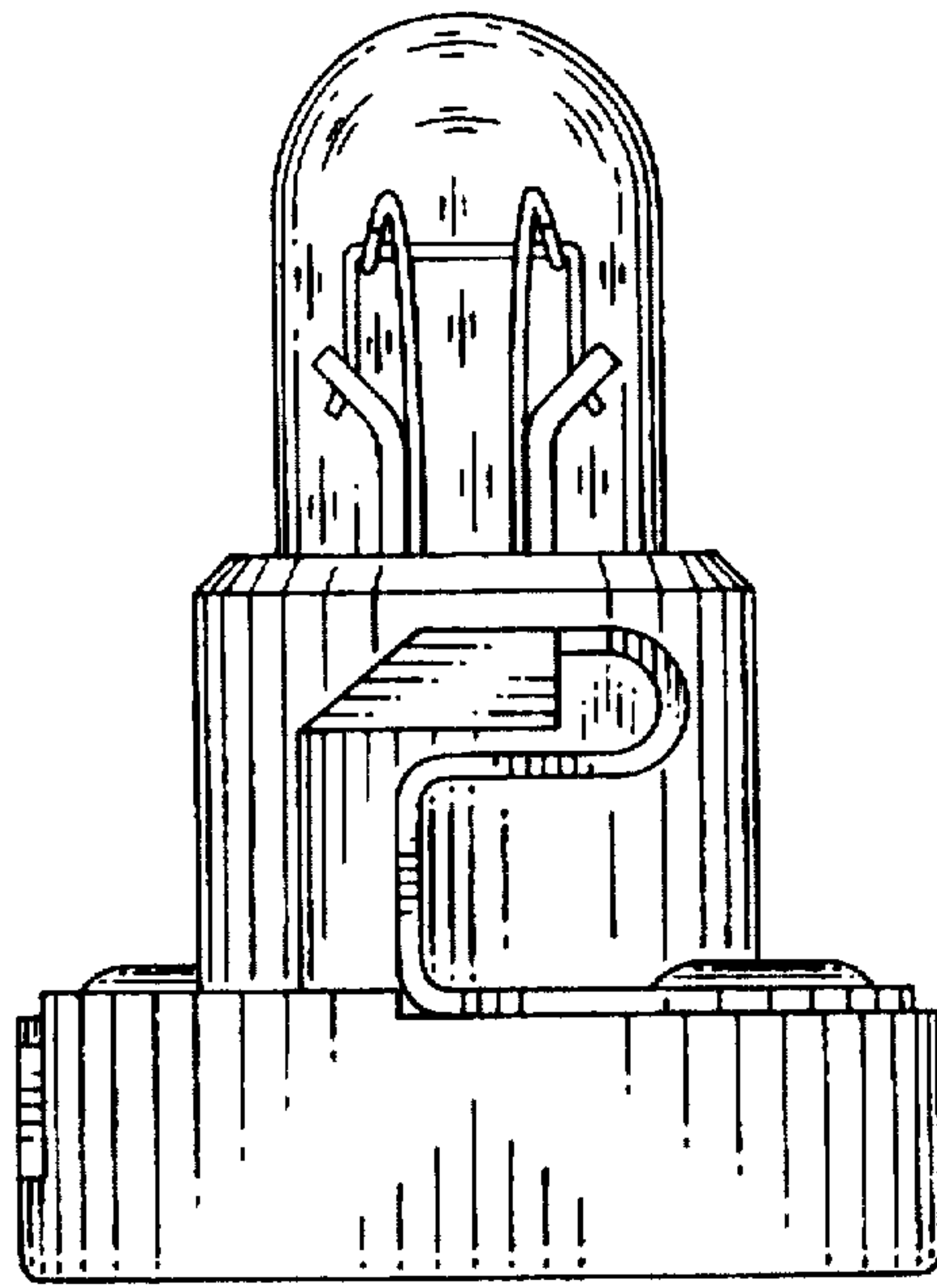


FIG. 2

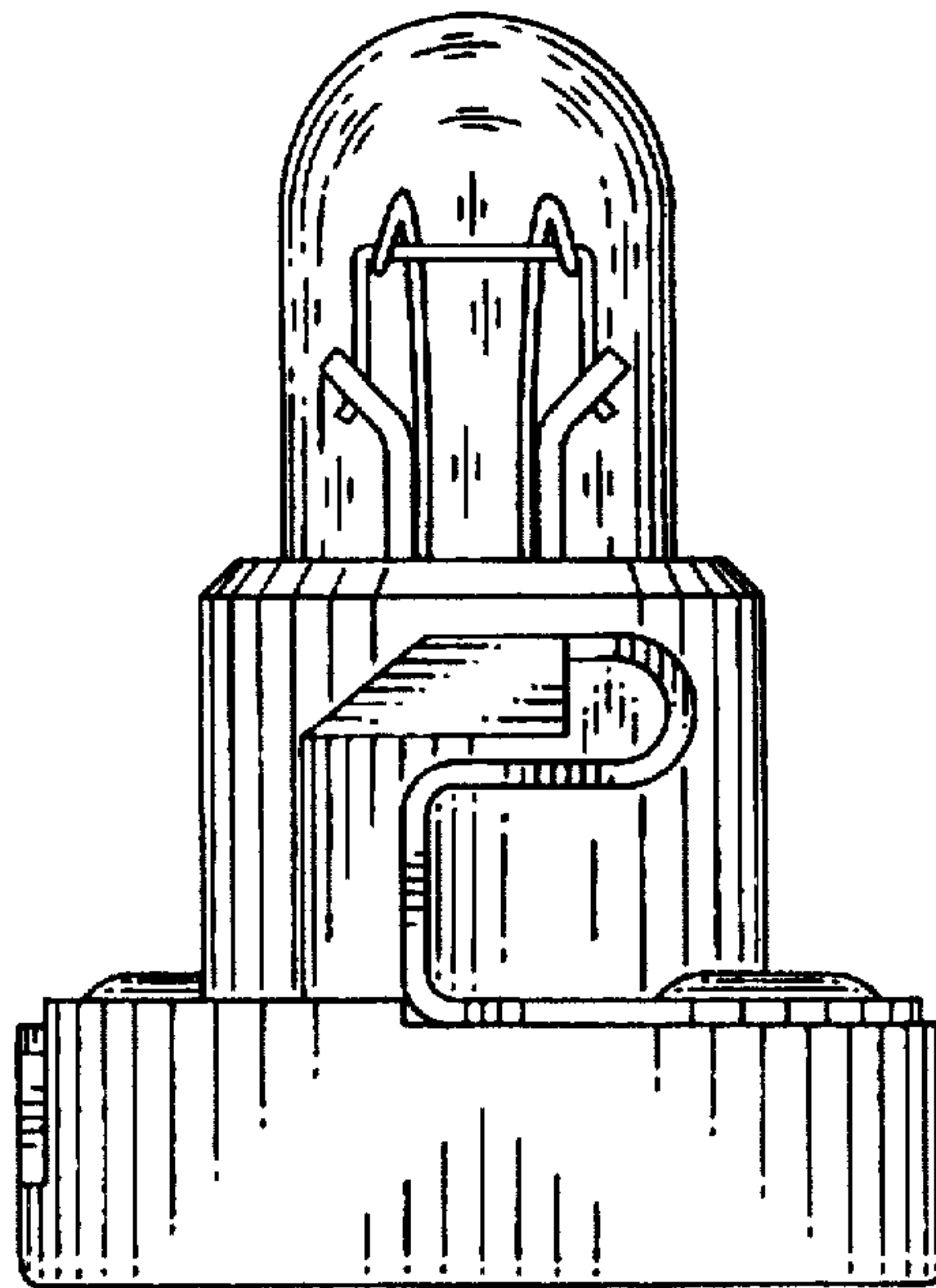


FIG. 3

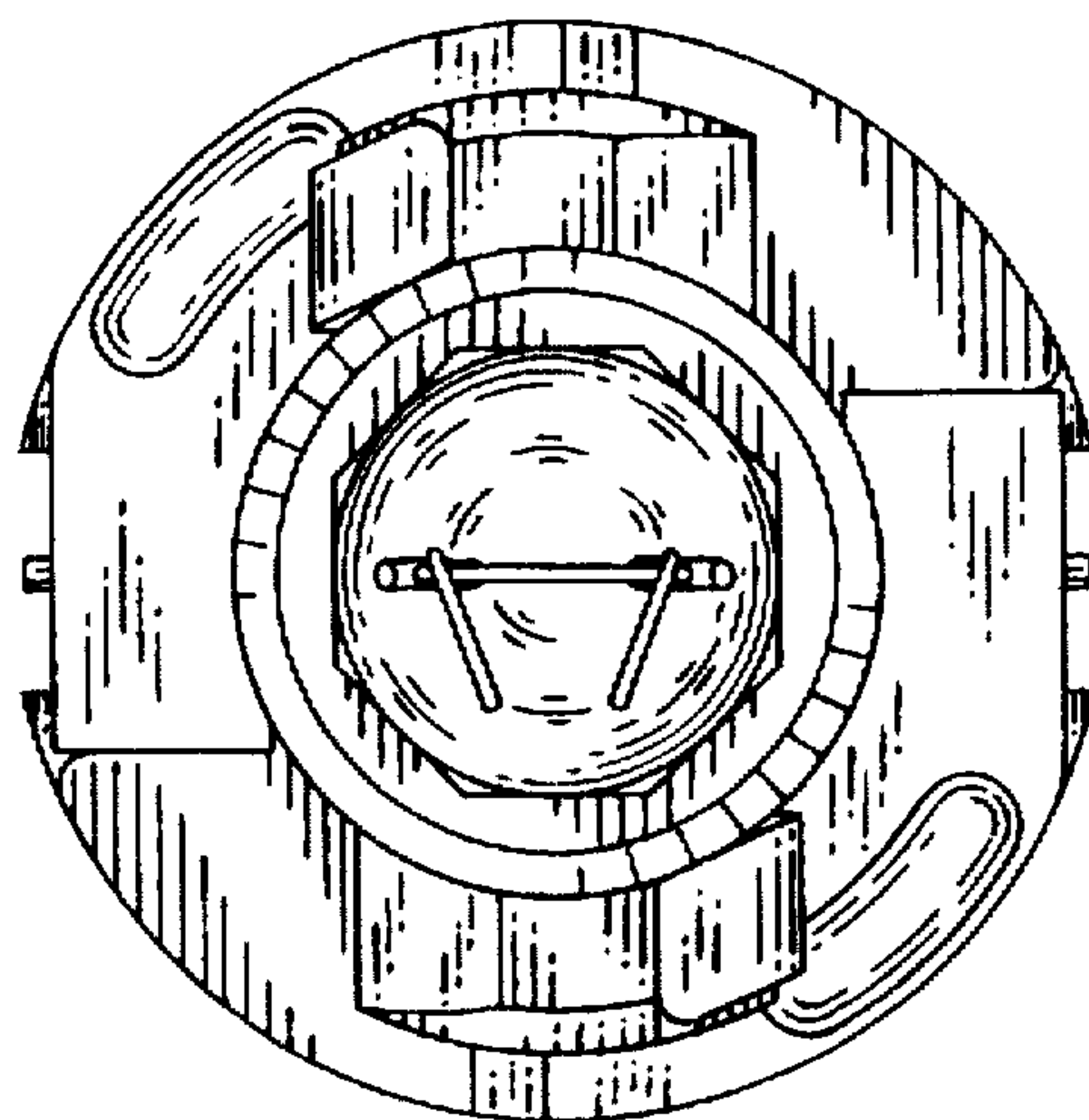


FIG. 4

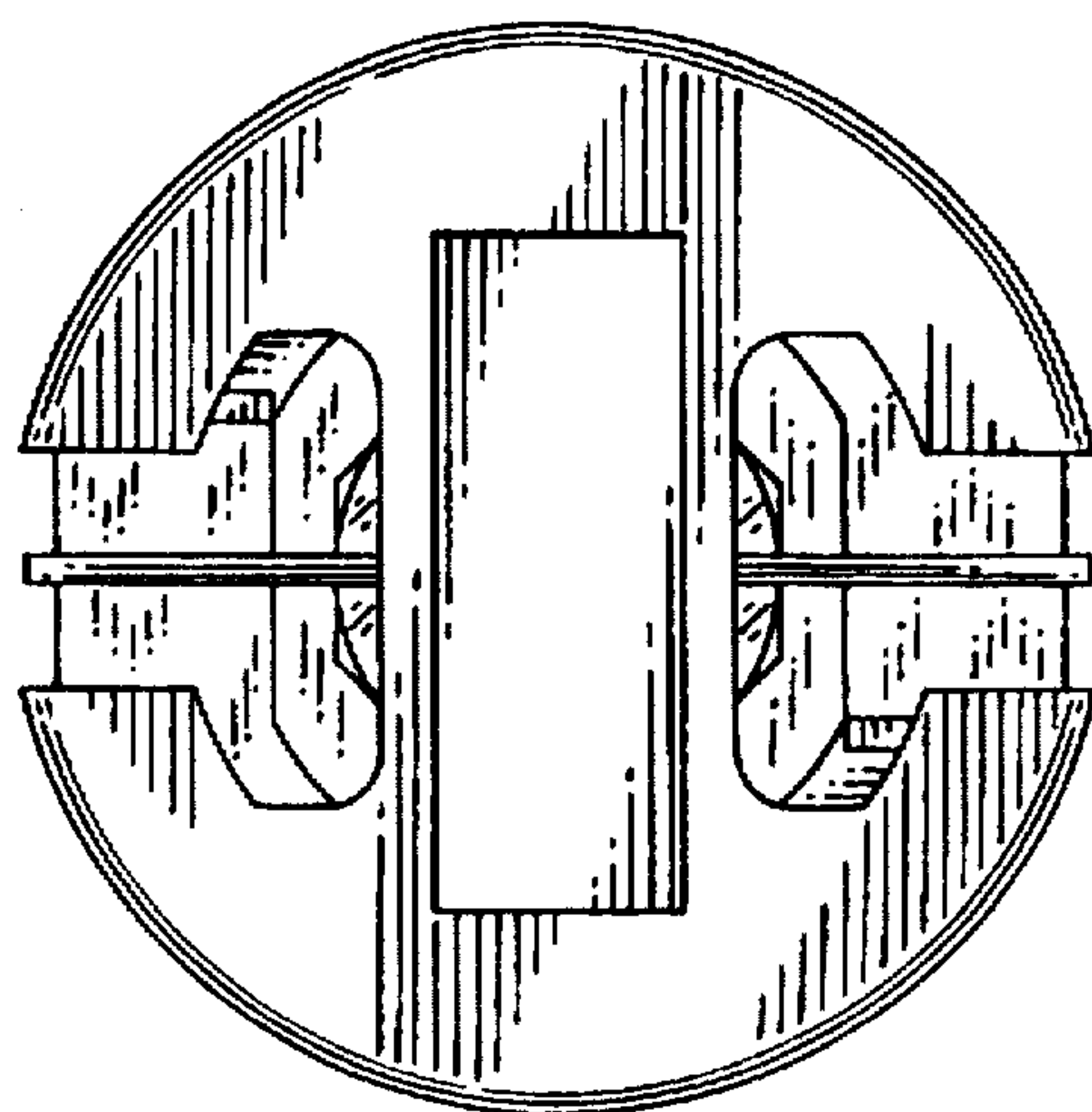


FIG. 5

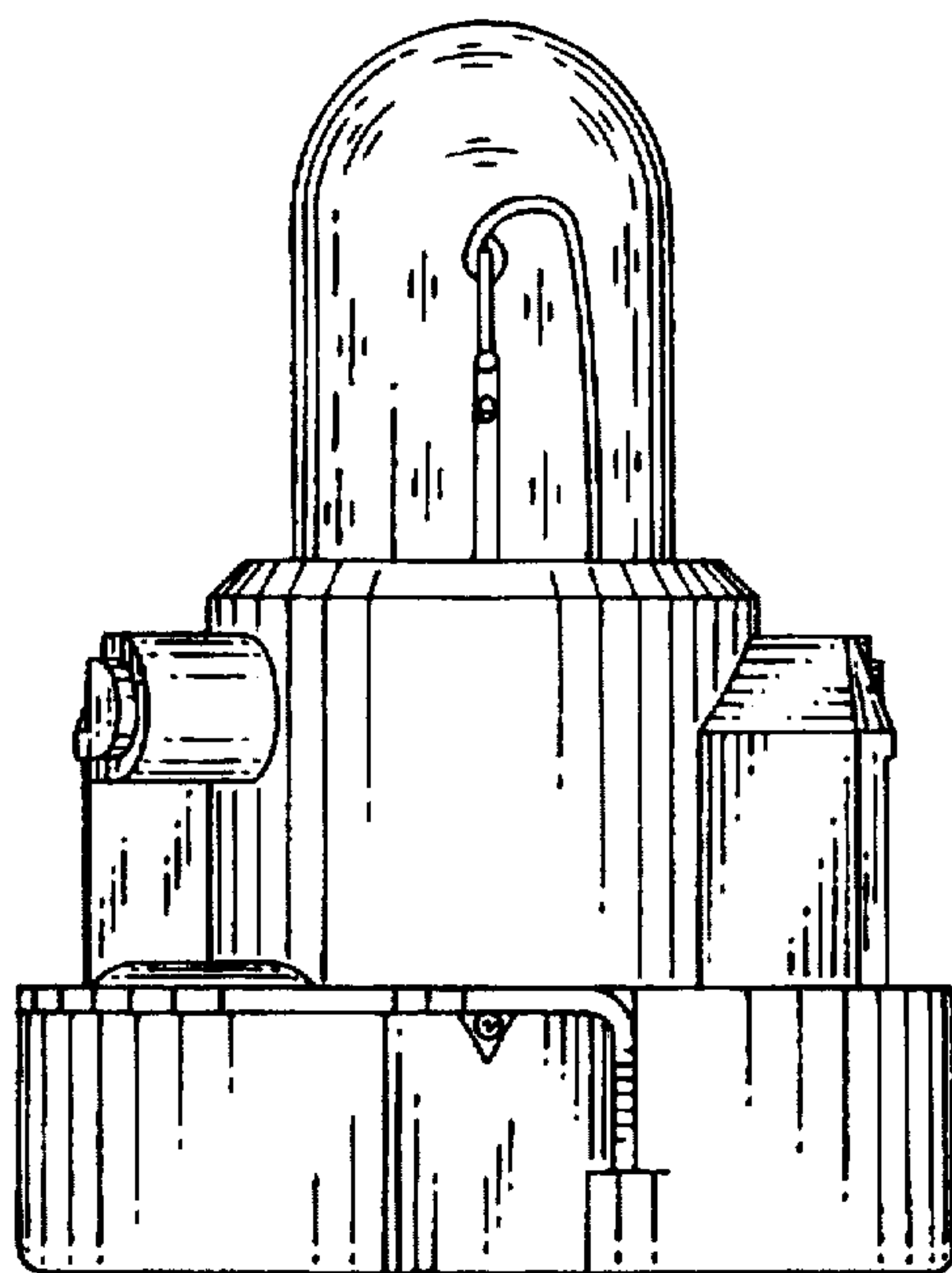


FIG. 6

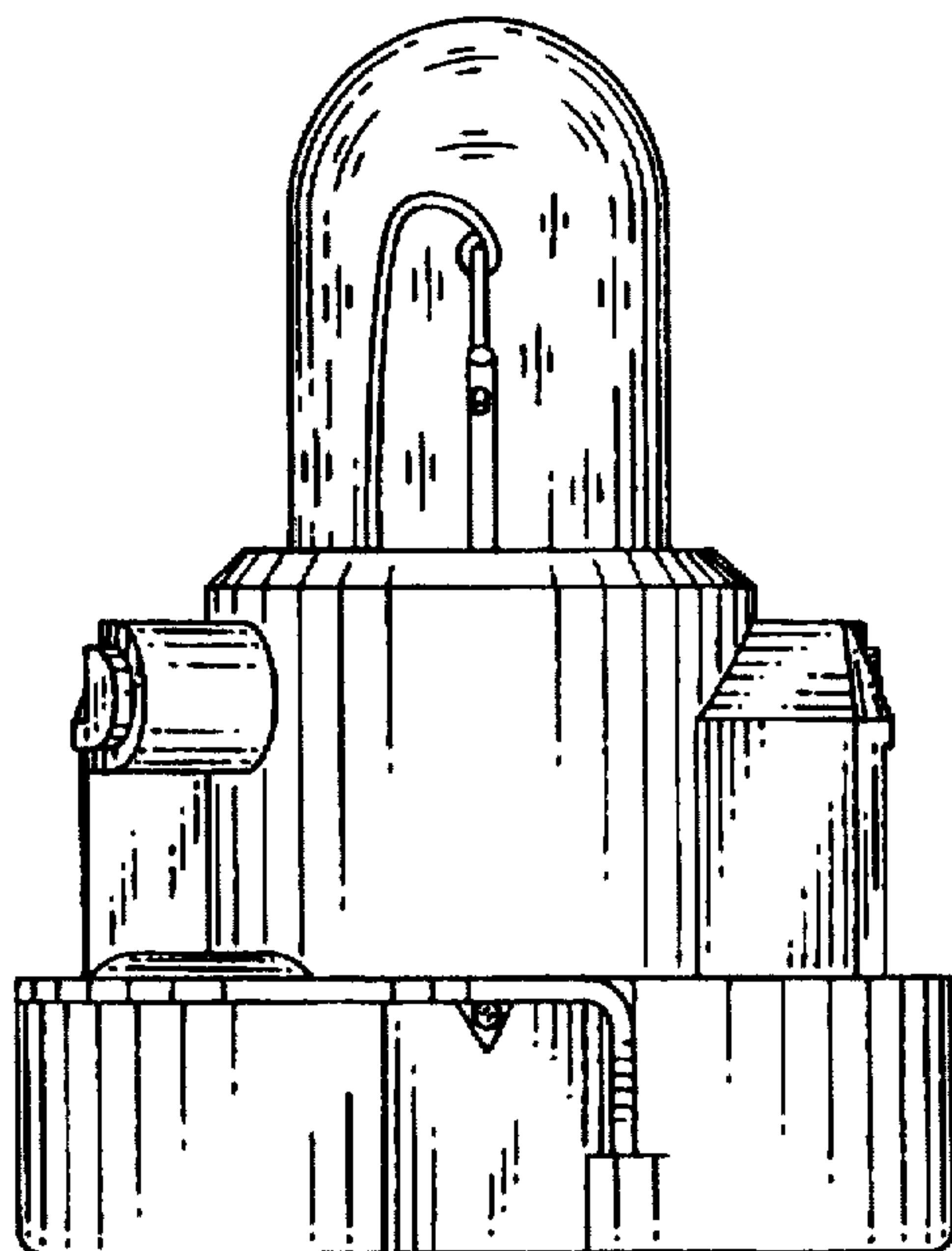


FIG. 7