

US00D397452S

United States Patent [19]
Franson

[11] **Patent Number: Des. 397,452**
[45] **Date of Patent: **Aug. 25, 1998**

[54] **WINDOW COMPONENT EXTRUSION**

3,859,754 1/1975 Budich et al. 52/204.5

[75] **Inventor: Jeffrey R. Franson, Maple Valley, Wash.**

Primary Examiner—Doris Clark
Attorney, Agent, or Firm—Richardson & Folise

[73] **Assignee: Mikron Industries, Inc., Kent, Wash.**

[57] **CLAIM**

[**] **Term: 14 Years**

The ornamental design for a window component extrusion, as shown and described.

[21] **Appl. No.: 77,877**

[22] **Filed: Oct. 10, 1997**

DESCRIPTION

[51] **LOC (6) Cl. 25-01**

[52] **U.S. Cl. D25/124**

[58] **Field of Search D25/60, 52, 119-125; 52/204.5; 49/501, 504, DIG. 2**

FIG. 1 is a top right perspective view of the window component extrusion which is broken in the center indicating indefinite length; and,

FIG. 2 is a bottom left perspective view of the window component extrusion shown in FIG. 1.

[56] **References Cited**

U.S. PATENT DOCUMENTS

D. 347,286 5/1994 Bancroft D25/124

1 Claim, 1 Drawing Sheet

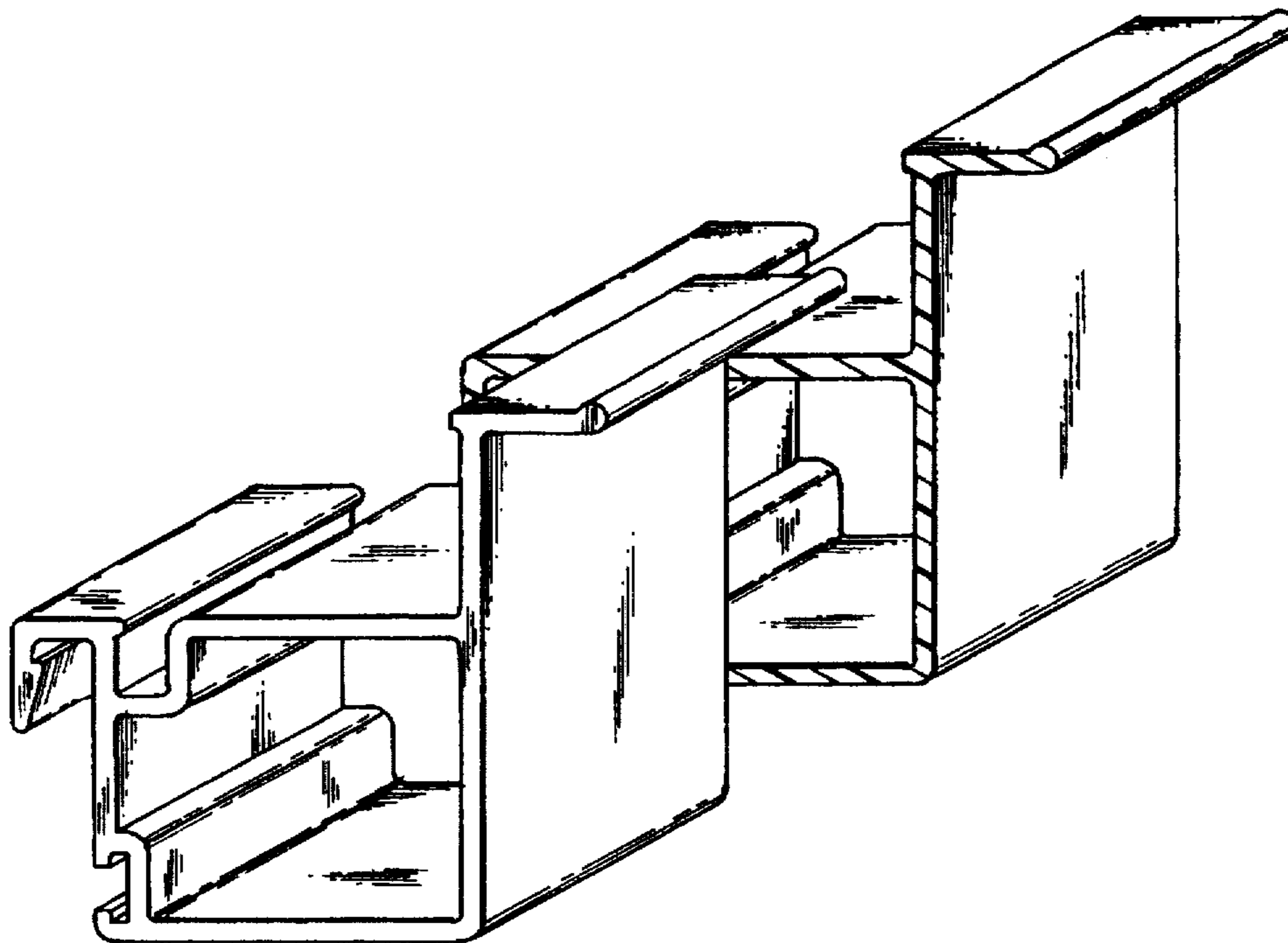


FIG. 1

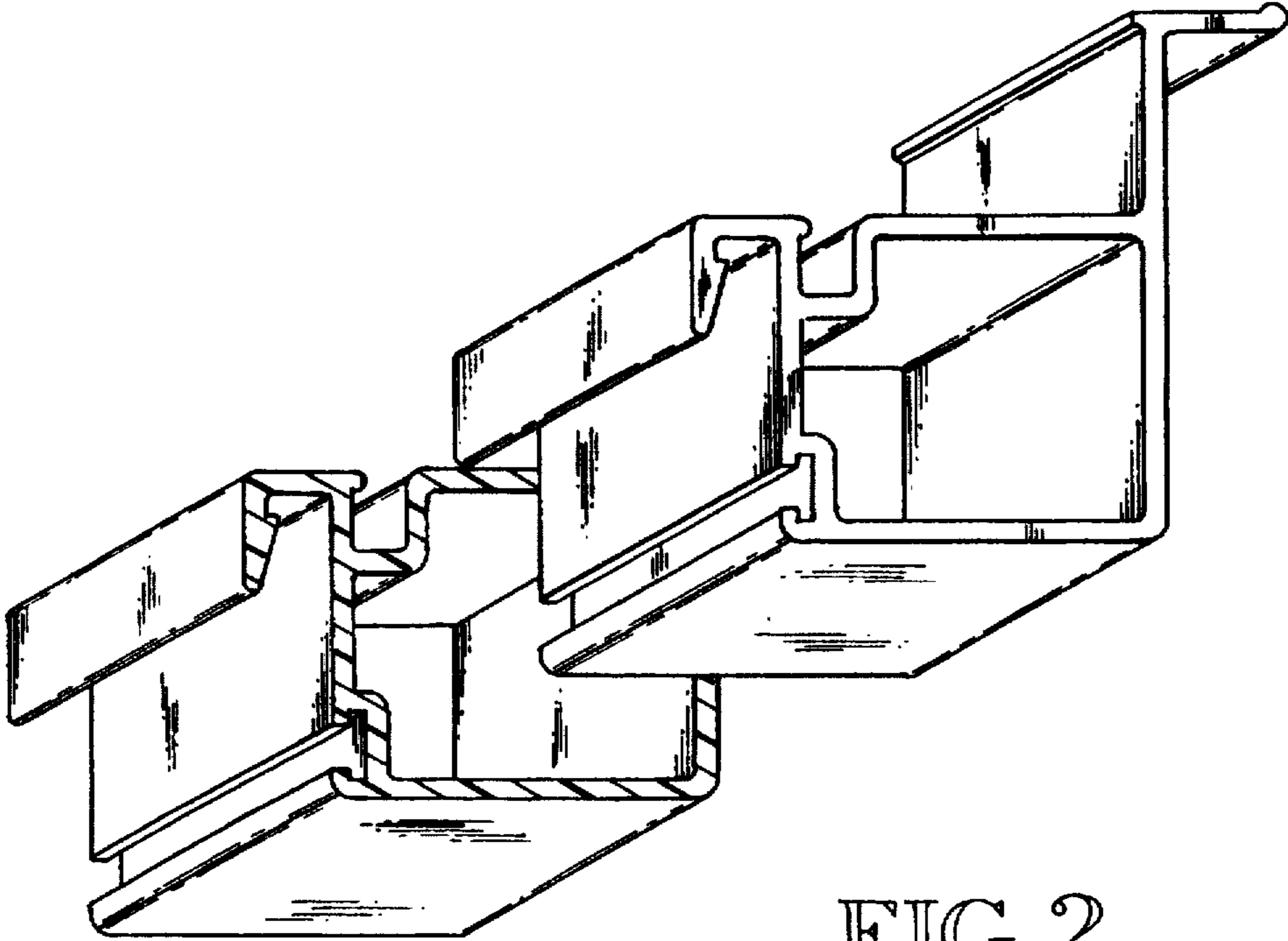
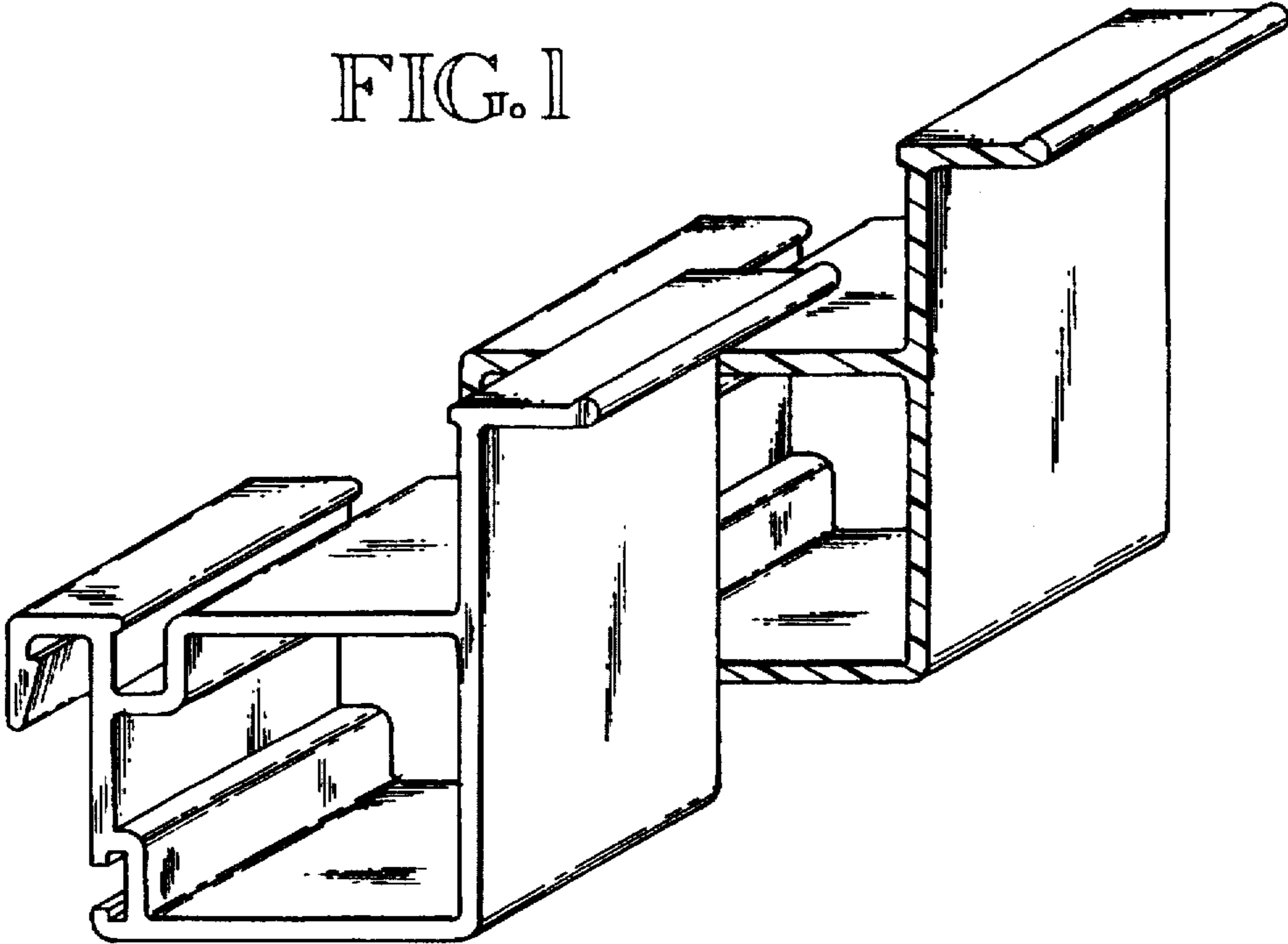


FIG. 2