



US00D397448S

**United States Patent** [19]  
**Brevi**

[11] **Patent Number:** **Des. 397,448**  
[45] **Date of Patent:** **\*\*Aug. 25, 1998**

[54] **BARRIER**  
[75] **Inventor:** **Mauro Brevi, Bergamo, Italy**  
[73] **Assignee:** **Brevi S.r.l., Telgate, Italy**  
[\*\*] **Term:** **14 Years**

4,162,590 7/1979 Earley ..... 49/55  
4,677,791 7/1987 Larson et al. .... D25/50  
5,117,585 6/1992 Andrisin, III ..... 49/55

*Primary Examiner*—Doris Clark  
*Attorney, Agent, or Firm*—Guido Modiano; Albert Josif

[21] **Appl. No.:** **73,319**  
[22] **Filed:** **Jul. 3, 1997**

[57] **CLAIM**  
The ornamental design for: “barrier,” as shown and described.

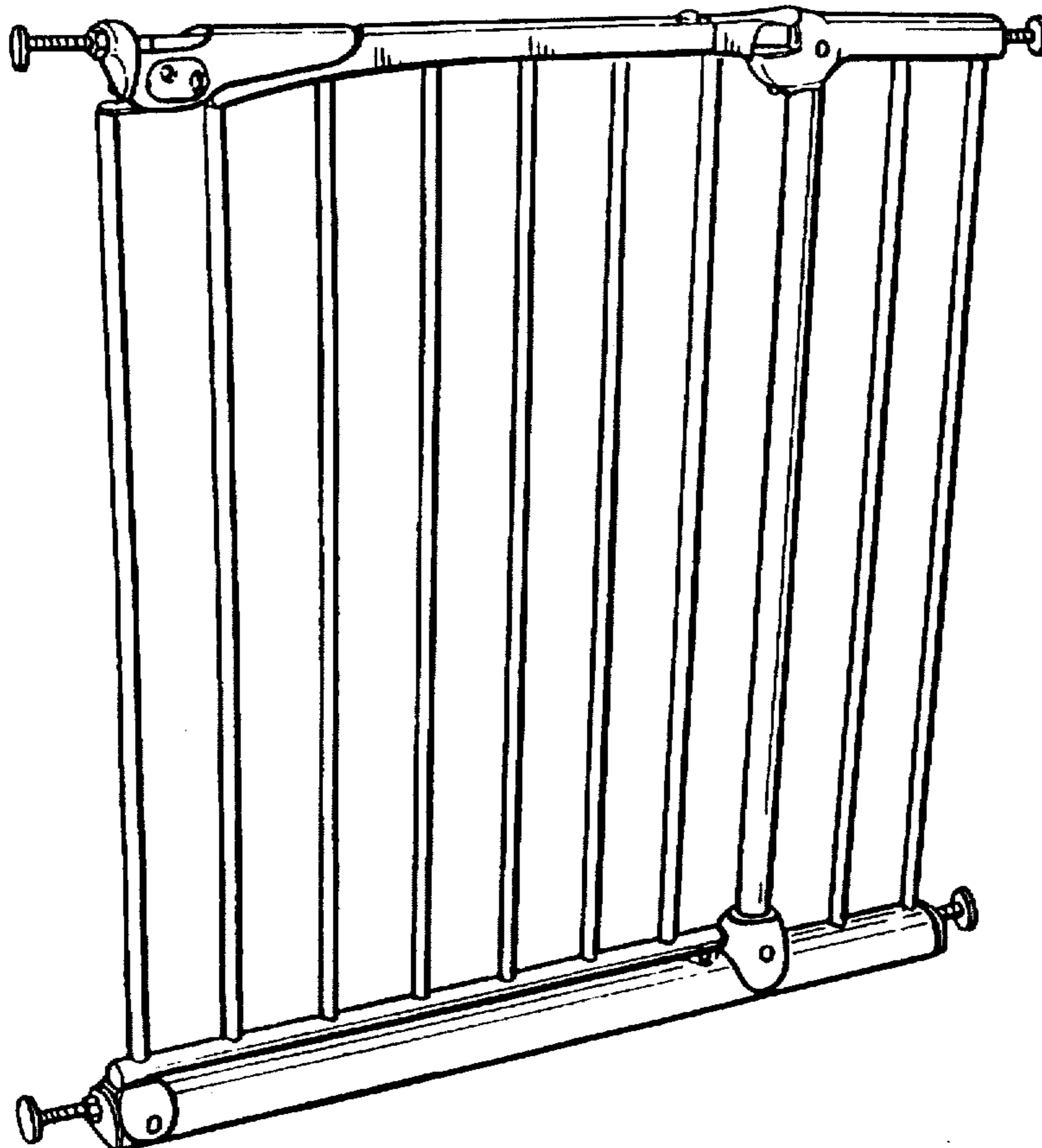
[30] **Foreign Application Priority Data**  
Jan. 10, 1997 [IT] Italy ..... MI9700019  
[51] **LOC (6) Cl.** ..... **25-02**  
[52] **U.S. Cl.** ..... **D25/50**  
[58] **Field of Search** ..... D25/50, 38, 138;  
49/55

**DESCRIPTION**

FIG. 1 is a perspective front view of the dynamic barrier in the closed position showing my new design;  
FIG. 2 is a perspective rear view thereof in the open position;  
FIG. 3 is a front elevational view thereof;  
FIG. 4 is a rear elevational view thereof;  
FIG. 5 is an elevational view thereof, taken from the left side;  
FIG. 6 is an elevational view thereof, taken from the right side;  
FIG. 7 is a top plan view thereof; and,  
FIG. 8 is a bottom plan thereof.

[56] **References Cited**  
**U.S. PATENT DOCUMENTS**  
D. 239,543 4/1976 Kratky ..... D25/50  
2,756,469 7/1956 Cattermole et al. .... 49/55  
2,896,277 7/1959 Halligan ..... 49/55

**1 Claim, 3 Drawing Sheets**



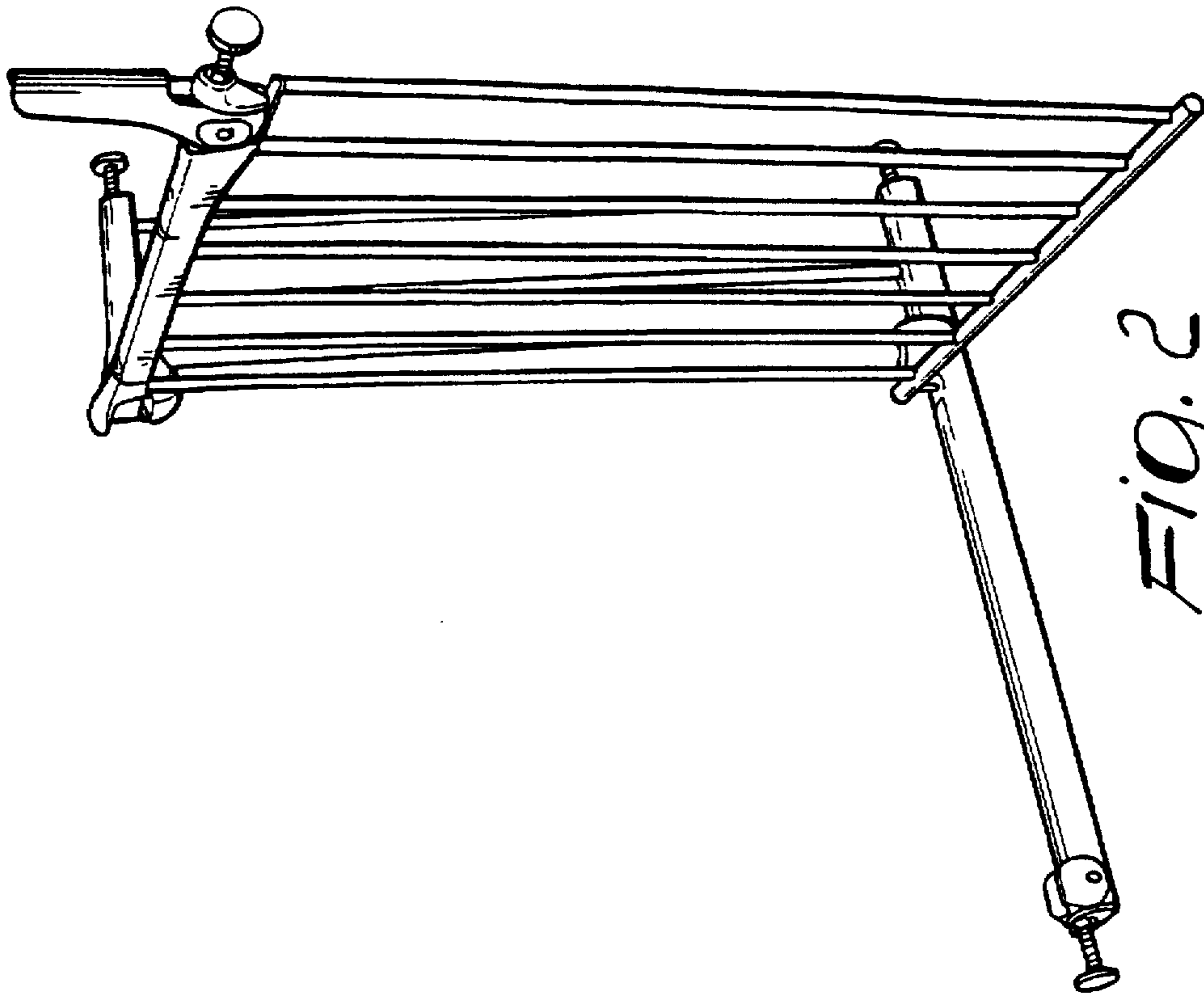
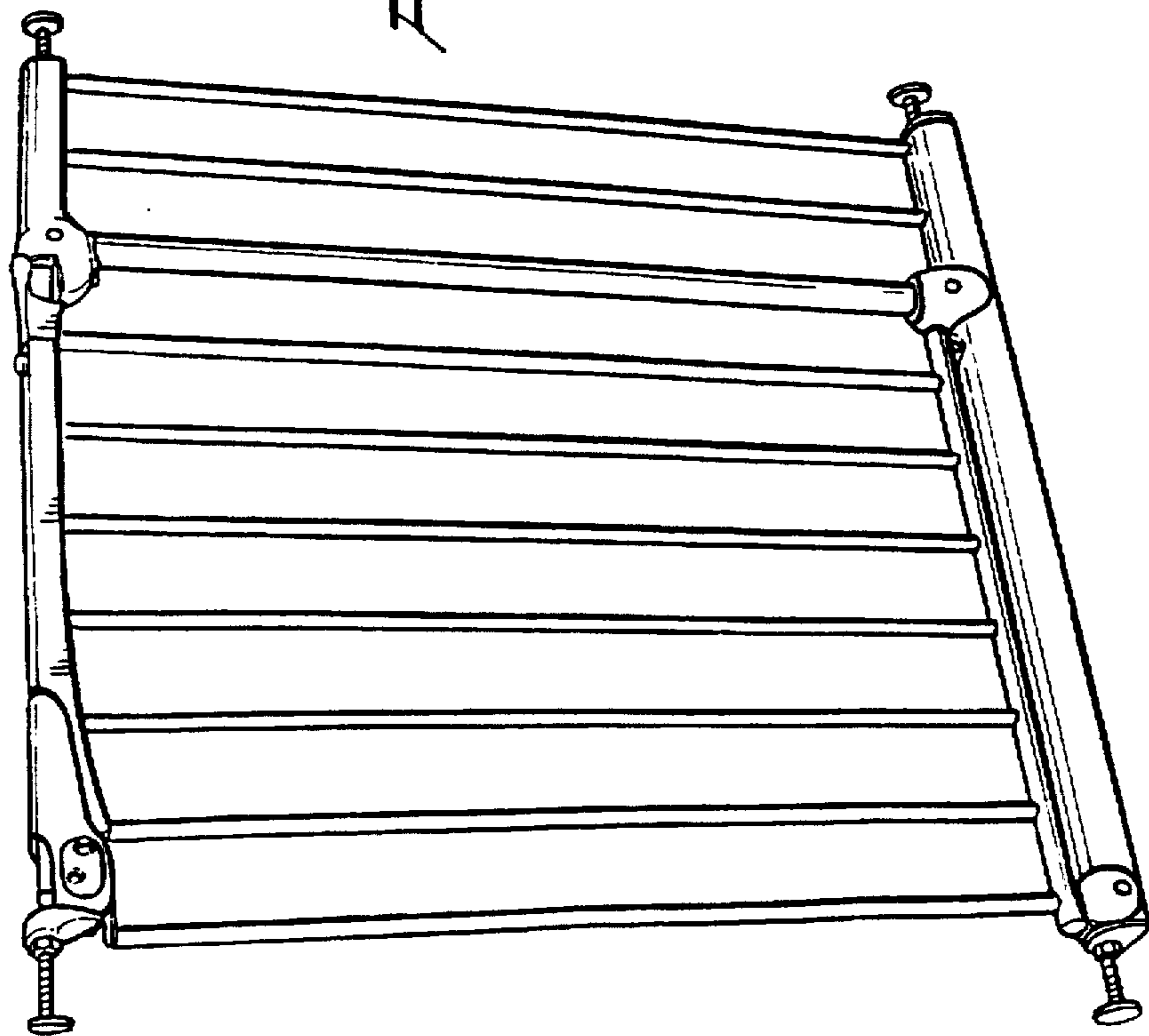
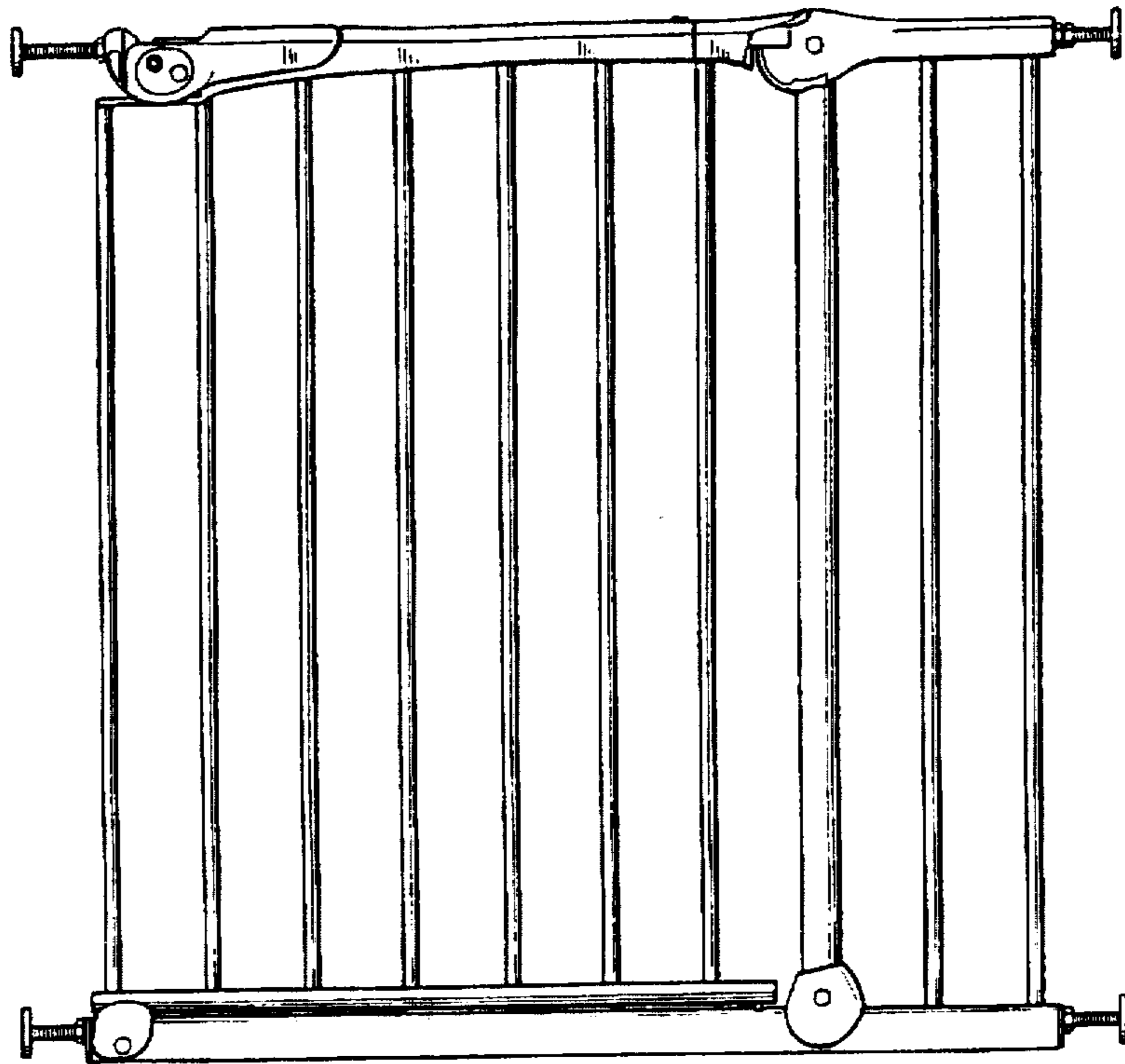
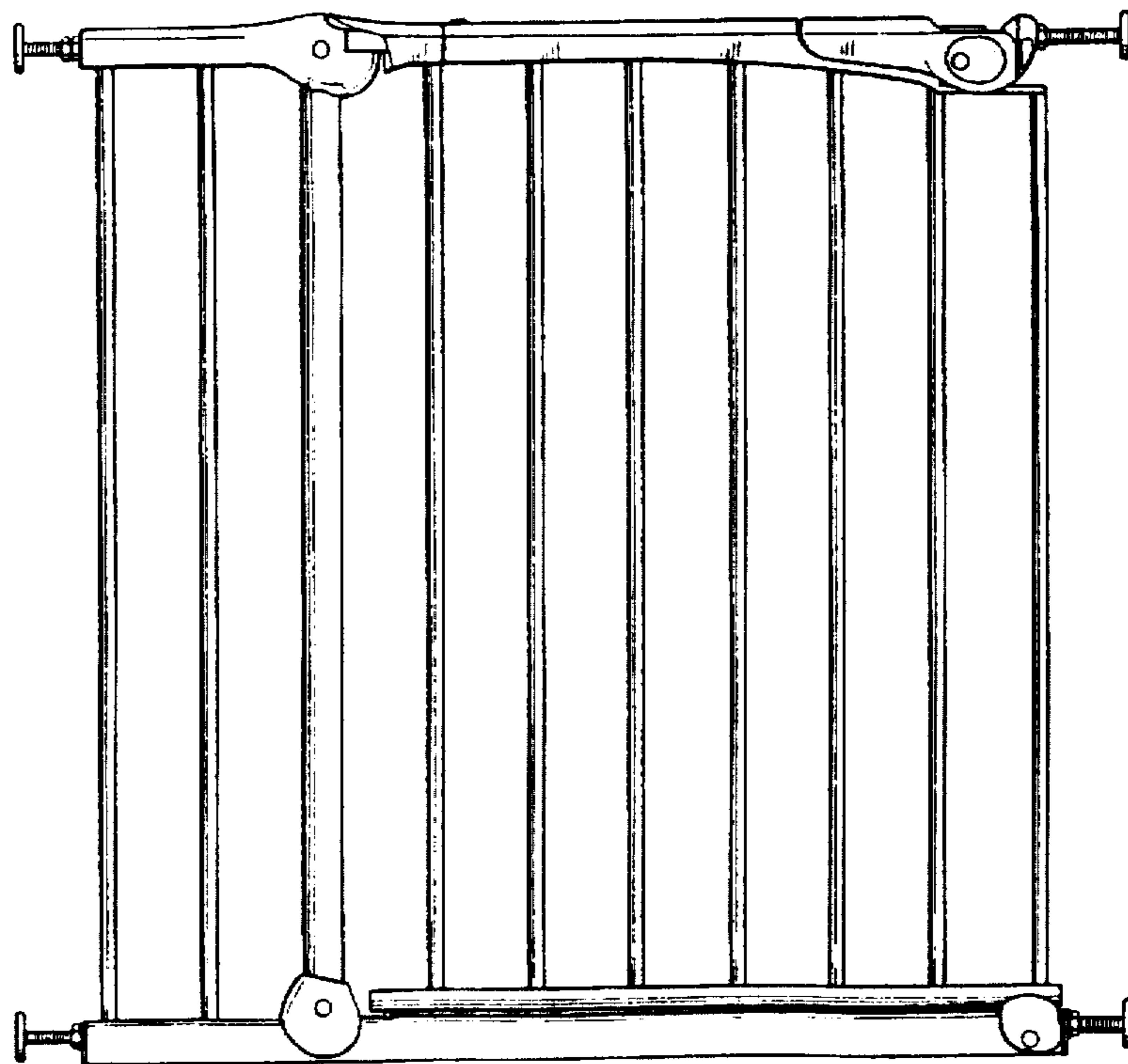


FIG. 1





*FIG. 3*



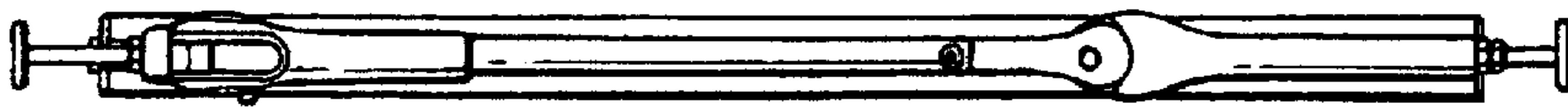
*FIG. 4*



*FIG. 5*



*FIG. 6*



*FIG. 7*



*FIG. 8*