



US00D397440S

# United States Patent [19]

Baars

[11] Patent Number: **Des. 397,440**

[45] Date of Patent: **\*\*Aug. 25, 1998**

[54] **SURGICAL X-RAY APPARATUS**

[75] Inventor: **Jan Erik Baars, Eindhoven, Netherlands**

[73] Assignee: **U.S. Philips Corporation, New York, N.Y.**

[\*\*] Term: **14 Years**

[21] Appl. No.: **64,262**

[22] Filed: **Nov. 22, 1996**

[30] **Foreign Application Priority Data**

May 23, 1996 [WO] WIPO ..... DMA/003334

[51] LOC (6) Cl. .... **24-01**

[52] U.S. Cl. .... **D24/158**

[58] Field of Search ..... D24/158, 159;  
378/198, 197

[56] **References Cited**

### U.S. PATENT DOCUMENTS

D. 291,916 9/1987 Davis ..... D24/158

3,070,695 12/1962 Stickney et al. .  
4,887,287 12/1989 Cobben ..... 378/198  
5,008,921 4/1991 Kaul et al. .... 378/198  
5,642,395 6/1997 Anderton et al. .... 378/198

*Primary Examiner—Stella Reid*  
*Attorney, Agent, or Firm—Ernestine C. Bartlett*

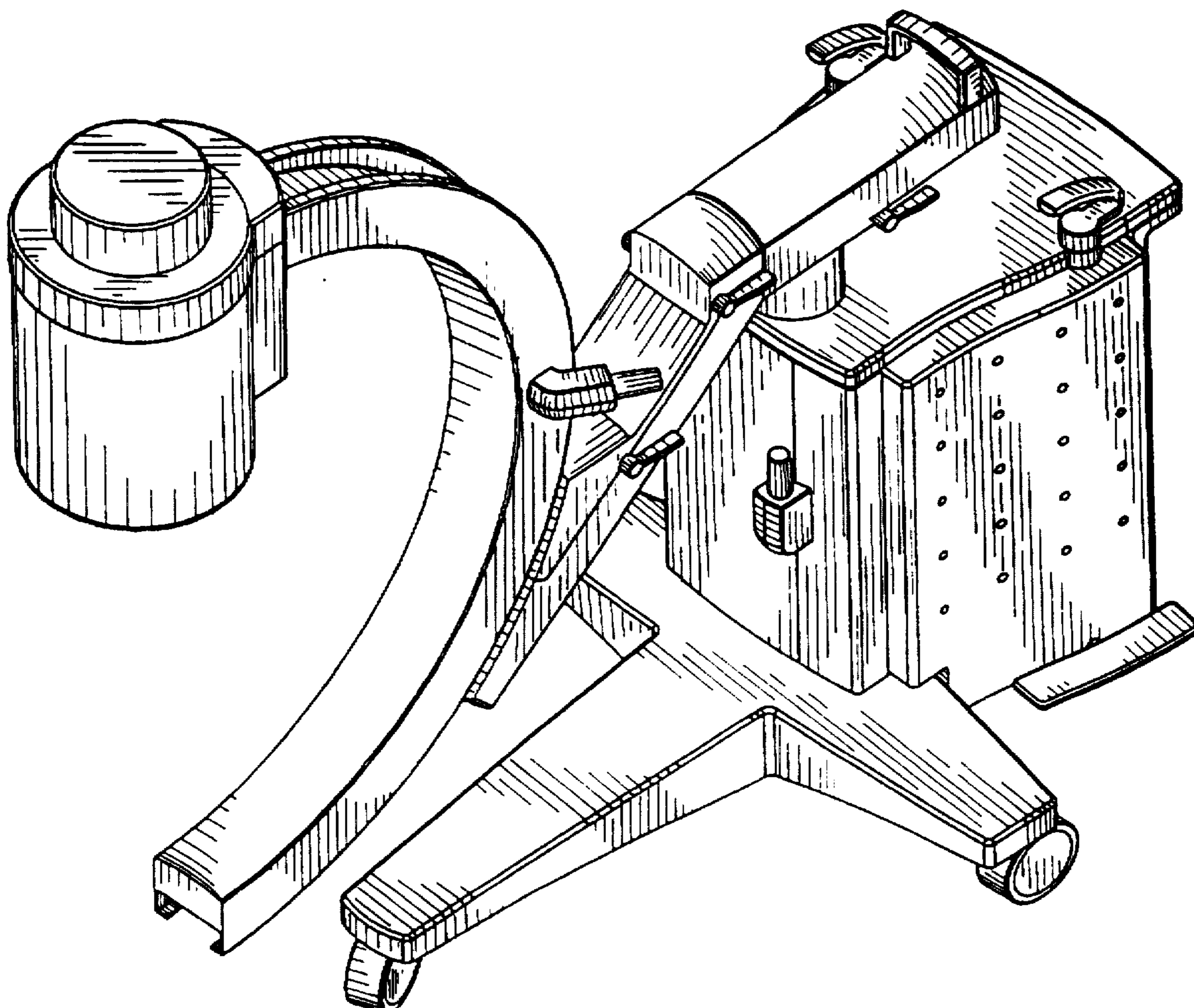
### [57] CLAIM

The ornamental design for a surgical X-ray apparatus, as shown.

### DESCRIPTION

FIG. 1 is a perspective view showing my new design;  
FIG. 2 is a front elevational view thereof;  
FIG. 3 is a rear elevational view thereof;  
FIG. 4 is a right side elevational view thereof;  
FIG. 5 is a left side elevational view thereof;  
FIG. 6 is a top plan view thereof; and,  
FIG. 7 is a bottom plan view thereof.

**1 Claim, 7 Drawing Sheets**



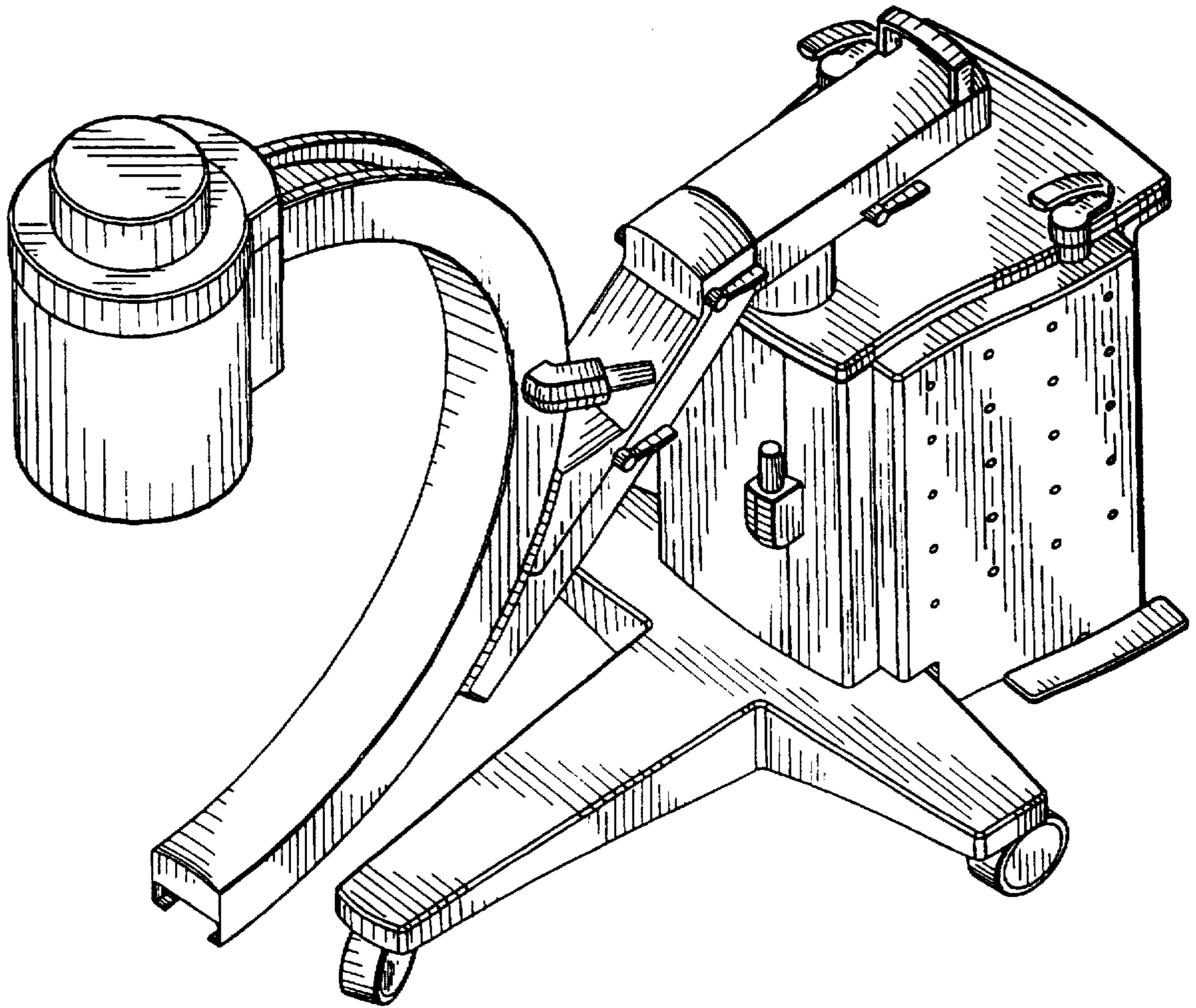


FIG. 1

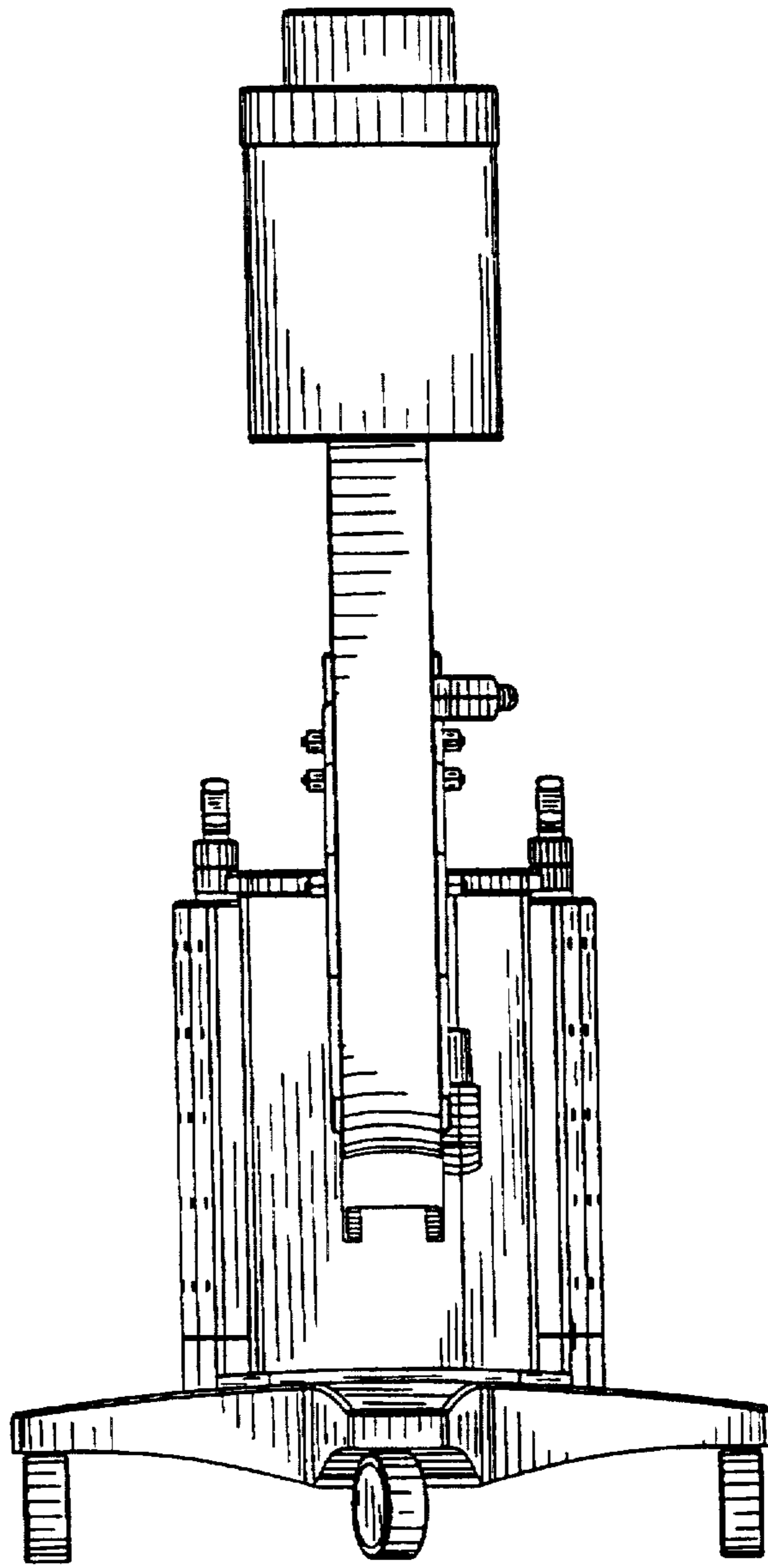


FIG.2

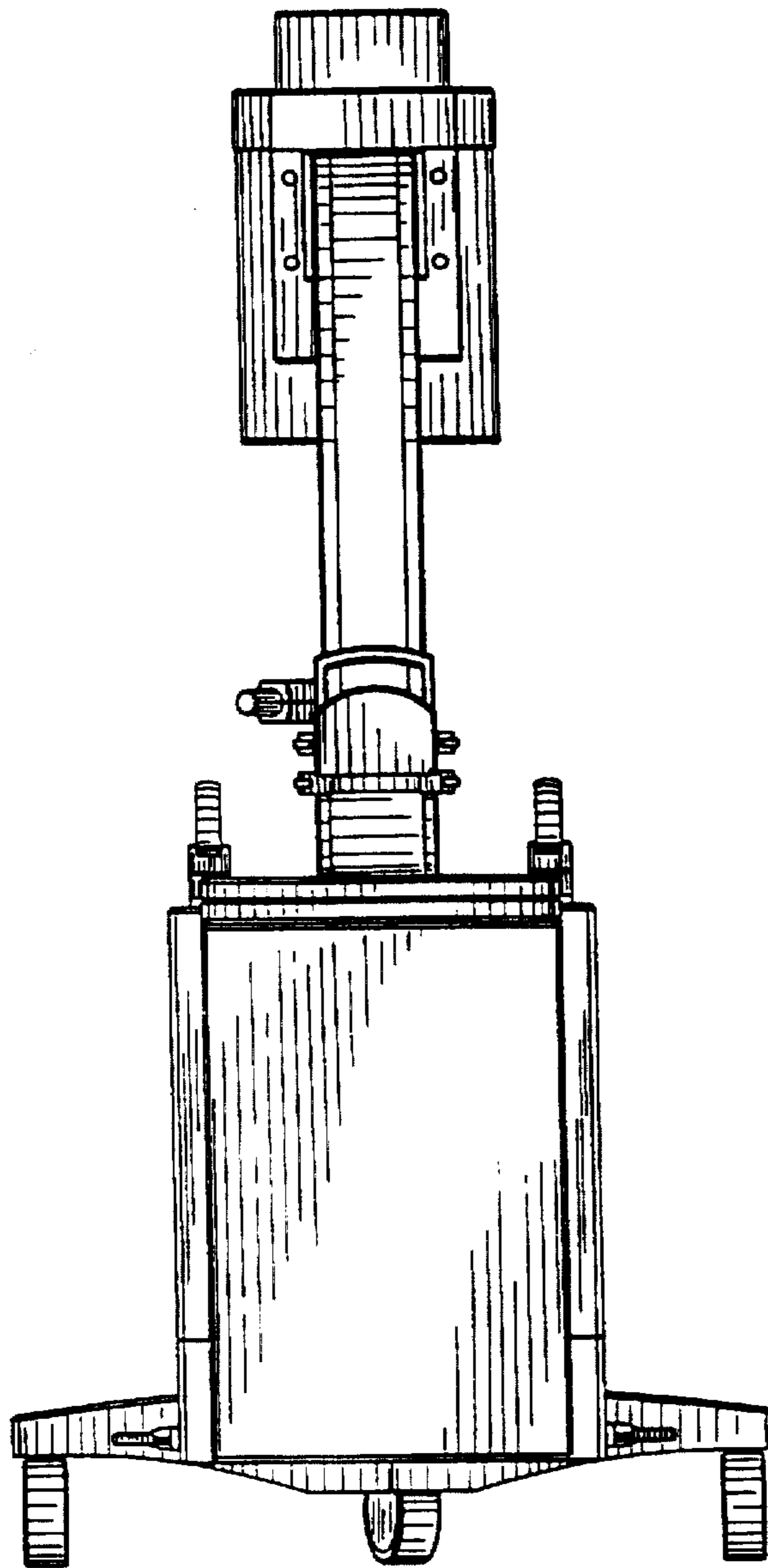


FIG.3

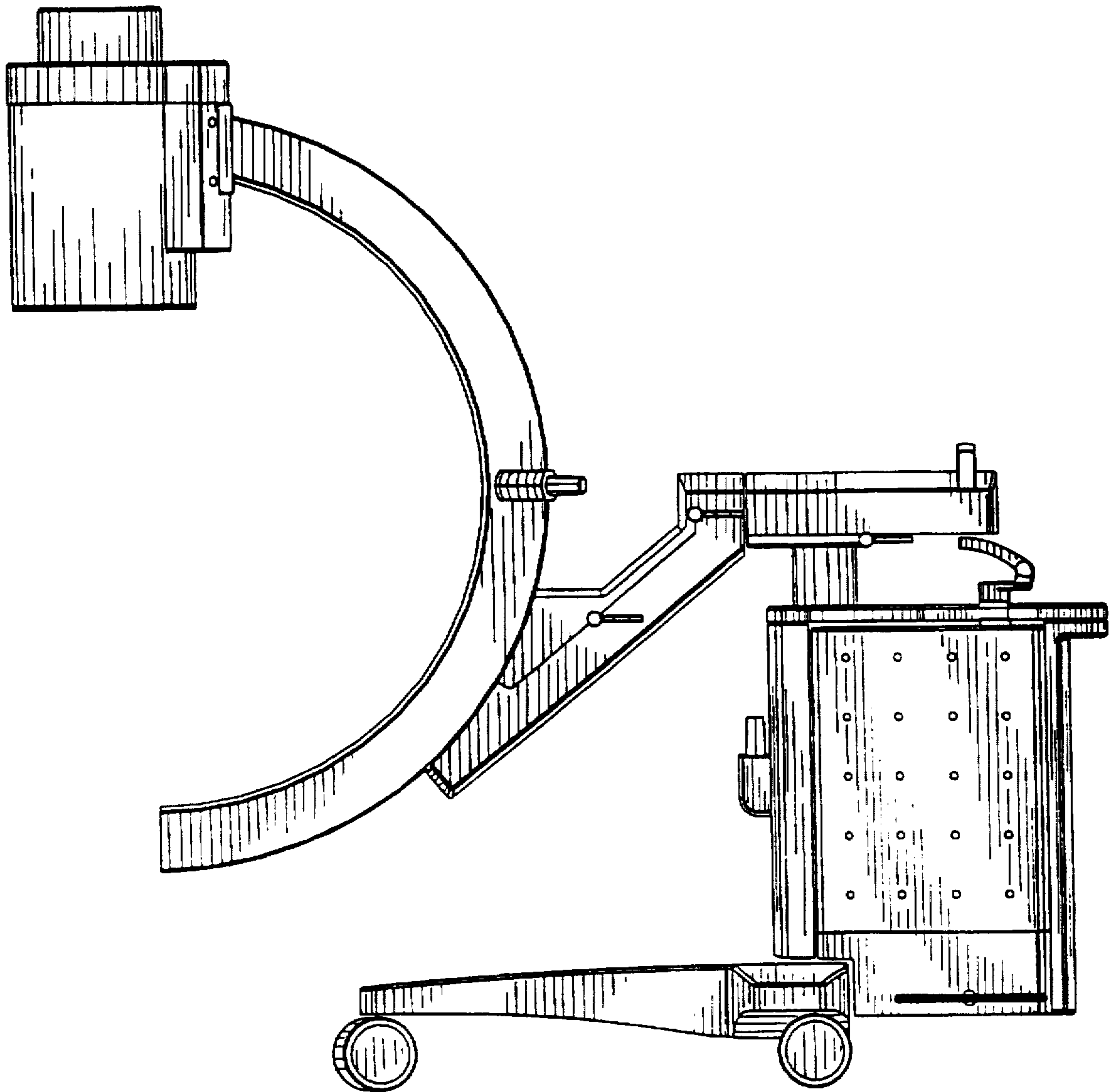


FIG.4

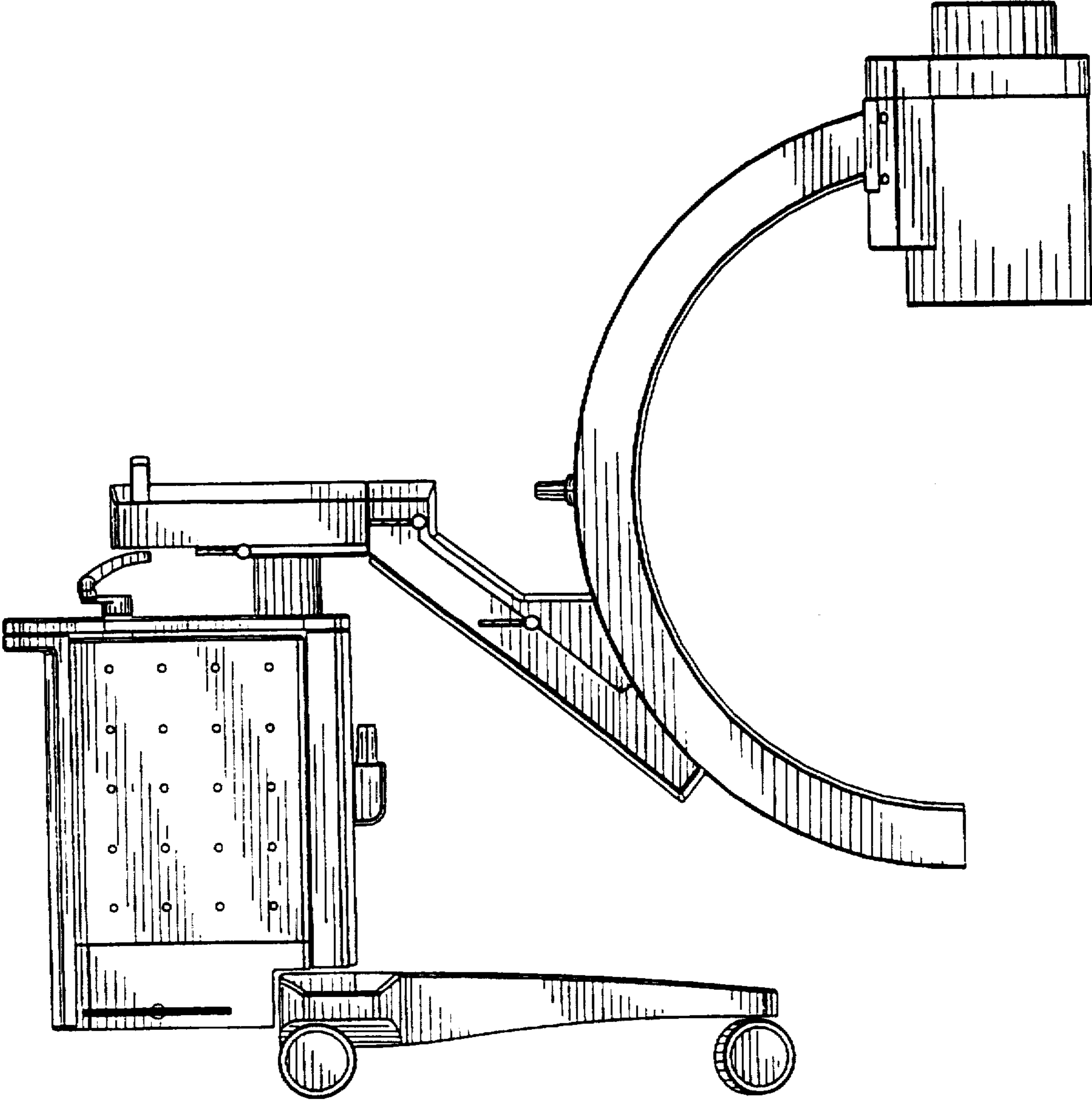


FIG. 5

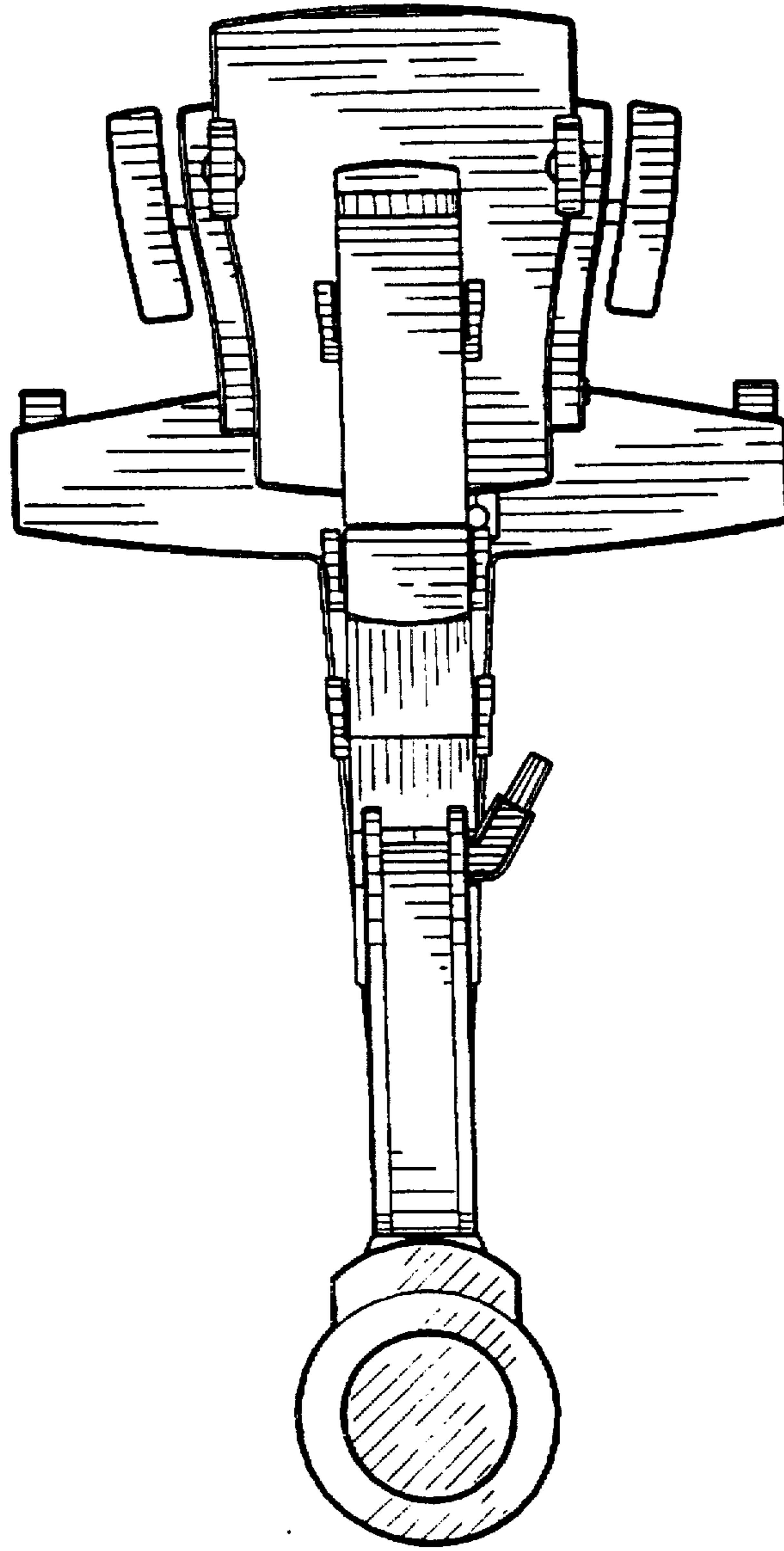


FIG. 6

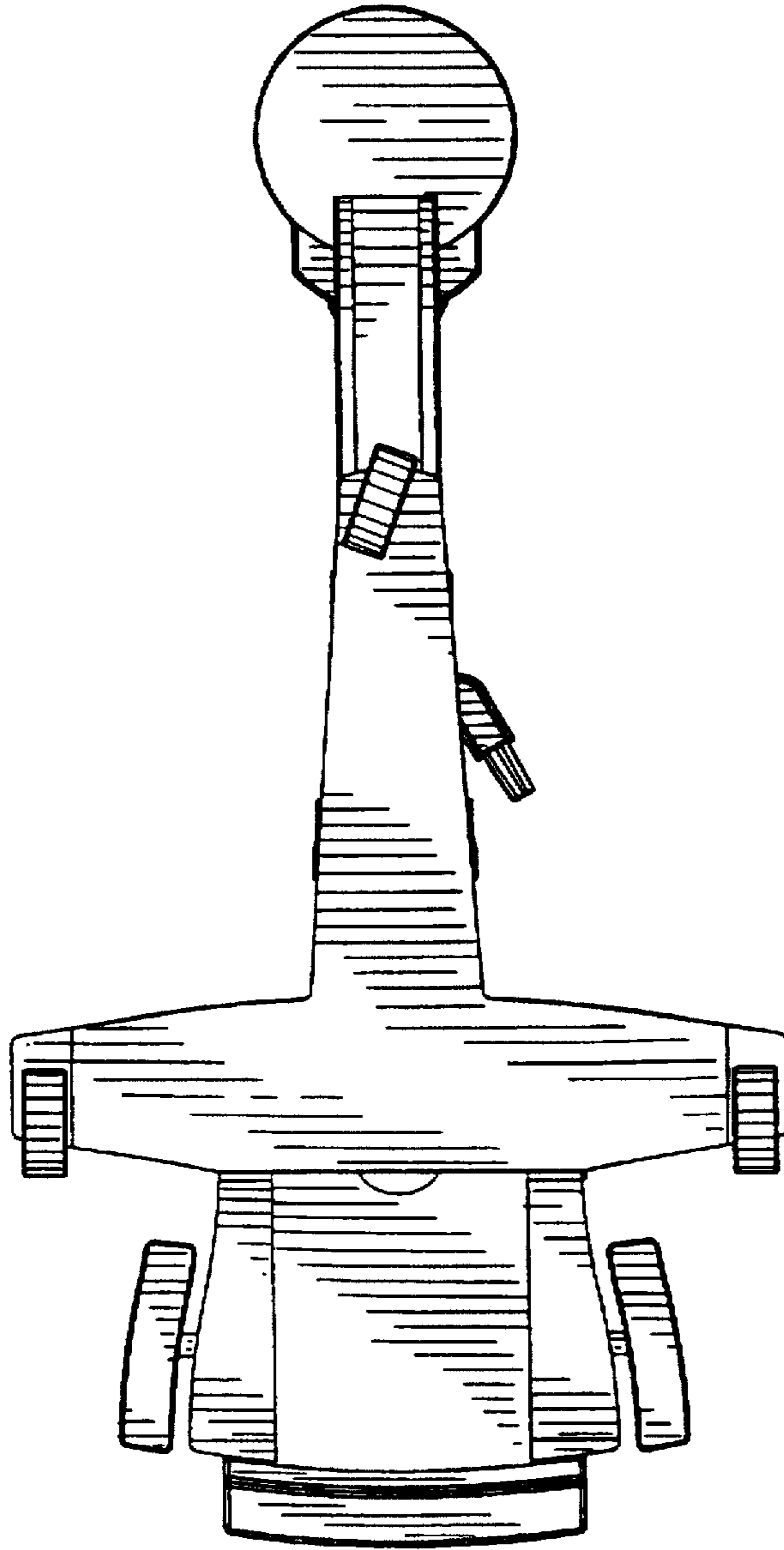


FIG. 7