



US00D397439S

United States Patent [19]

Koros et al.

[11] Patent Number: **Des. 397,439**

[45] Date of Patent: ****Aug. 25, 1998**

[54] **SPINAL IMPLANT**

5,458,638 10/1995 Kushich et al. 606/61 X

[76] Inventors: **Tibor Koros; Gabriel Koros**, both of
610 Flinn Ave., Moorpark, Calif. 93021

Primary Examiner—Stella Reid
Attorney, Agent, or Firm—Richard D. Slehofer

[**] Term: **14 Years**

[57] **CLAIM**

[21] Appl. No.: **27,857**

The ornamental design for a spinal implant, as shown and described.

[22] Filed: **Jul. 22, 1994**

DESCRIPTION

[51] **LOC (6) Cl.** **24-03**

FIG. 1 is an isometric view of a spinal implant, showing our new design;

[52] **U.S. Cl.** **D24/155**

FIG. 2 is a front elevational view thereof;

[58] **Field of Search** D24/155; 623/17;
606/61, 60, 73, 72

FIG. 3 is a right side elevational view thereof, the left side elevational view being identical thereto;

FIG. 4 is a rear elevational view thereof; and,

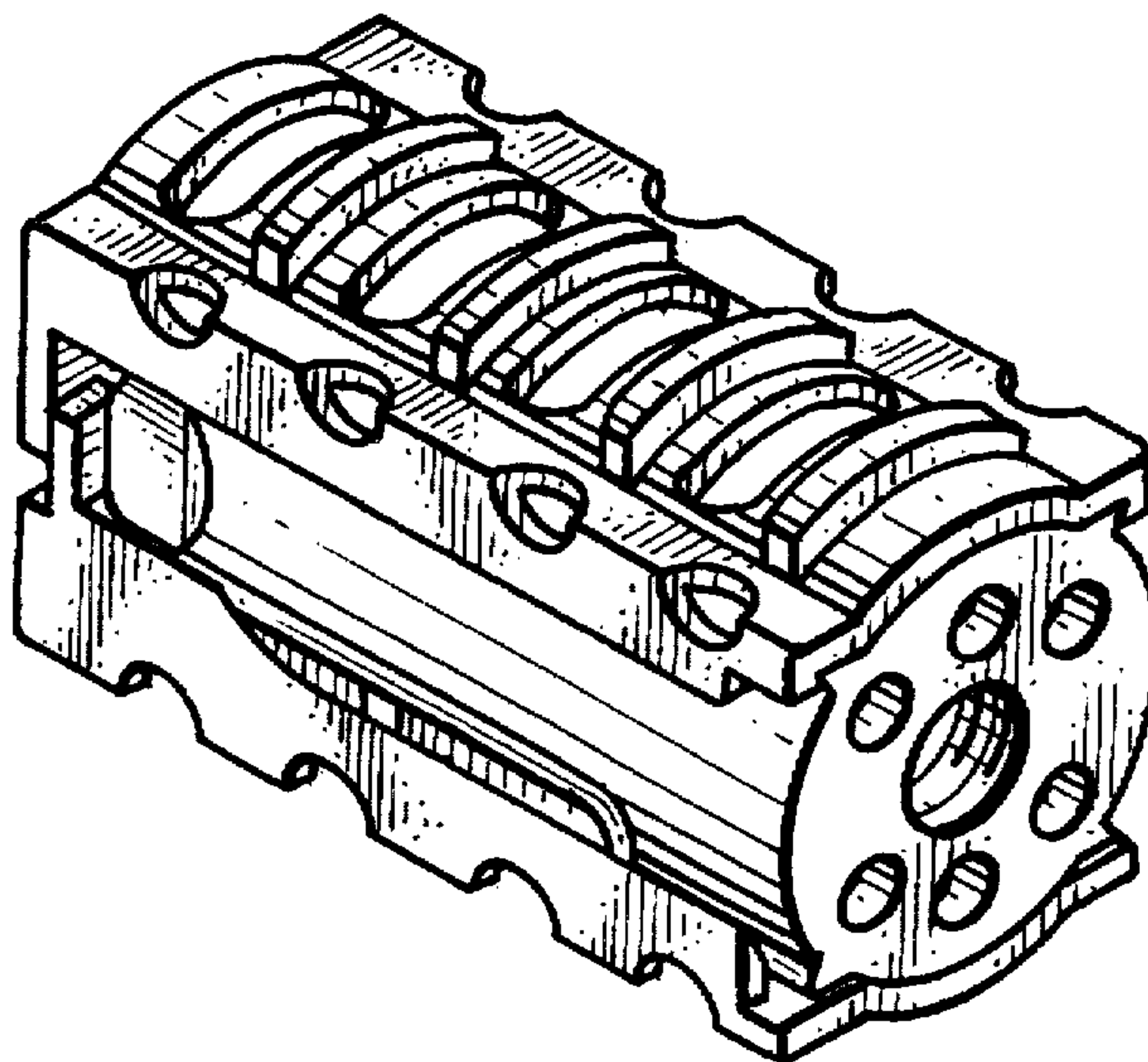
FIG. 5 is a top plan view thereof, the bottom plan view being identical thereto.

[56] **References Cited**

U.S. PATENT DOCUMENTS

5,015,247	5/1991	Michelson	623/17	X
5,192,327	3/1993	Brantigan	623/17	
5,443,514	8/1995	Steffe	623/17	

1 Claim, 1 Drawing Sheet



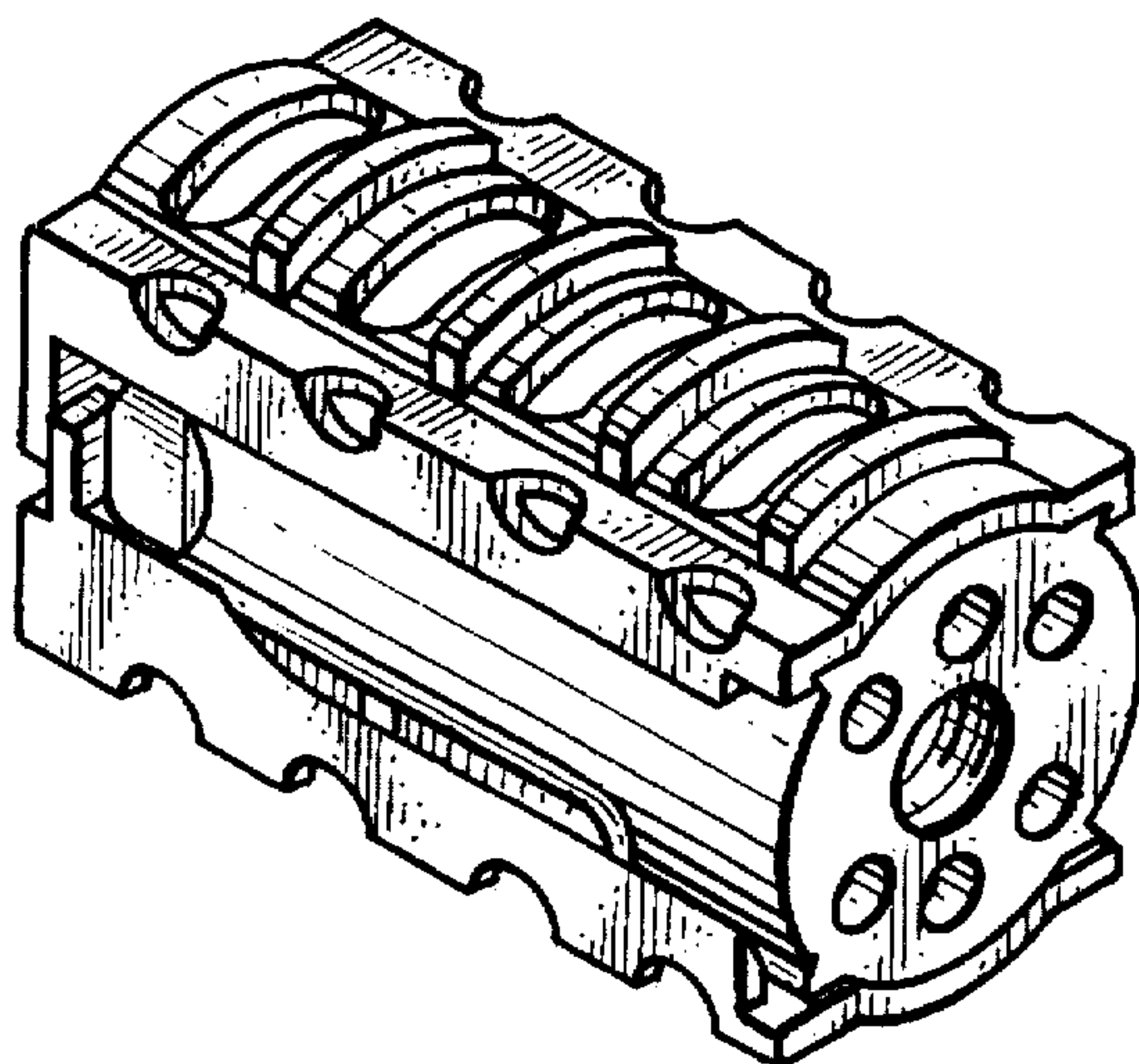


Fig. 1.

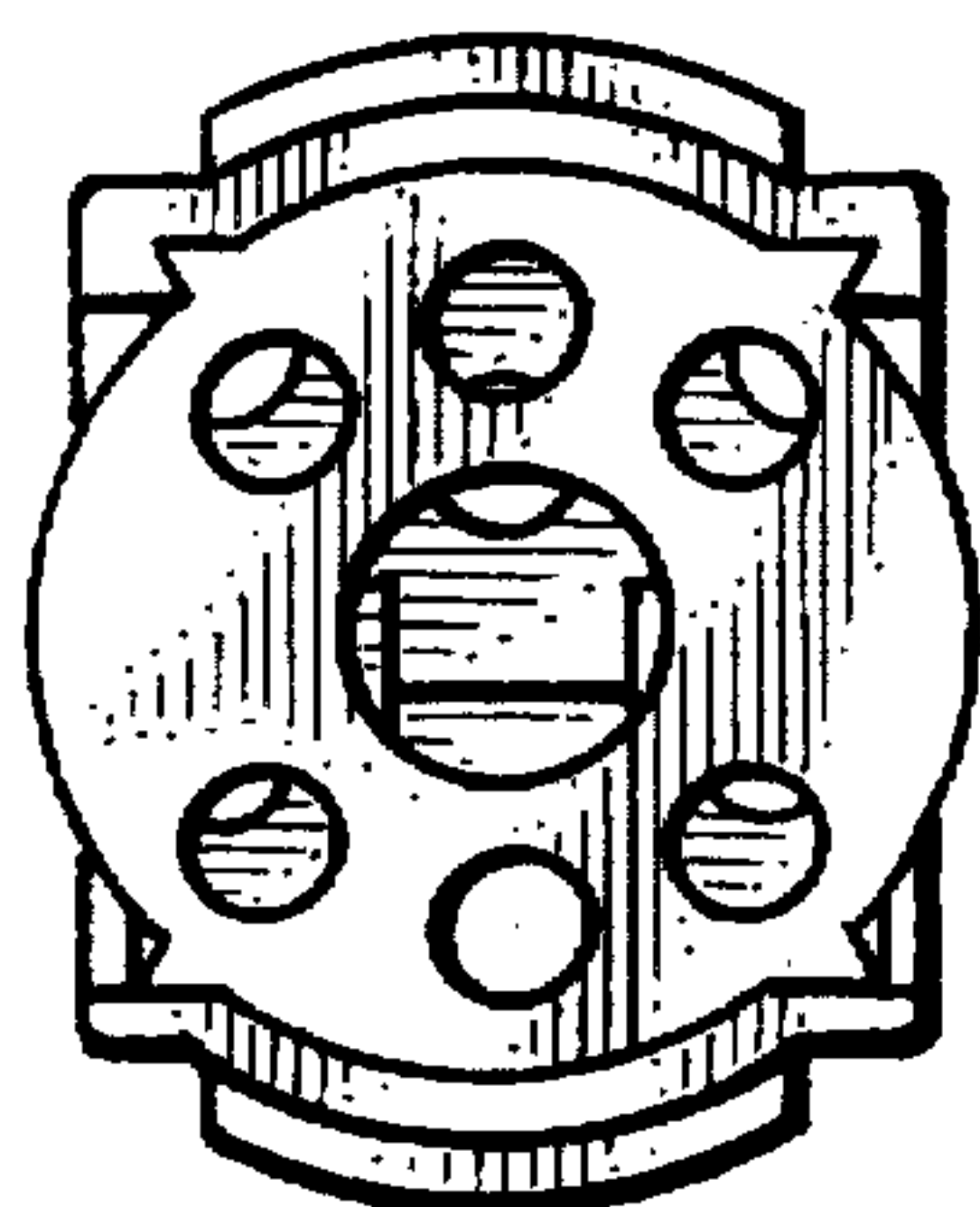


Fig. 2.

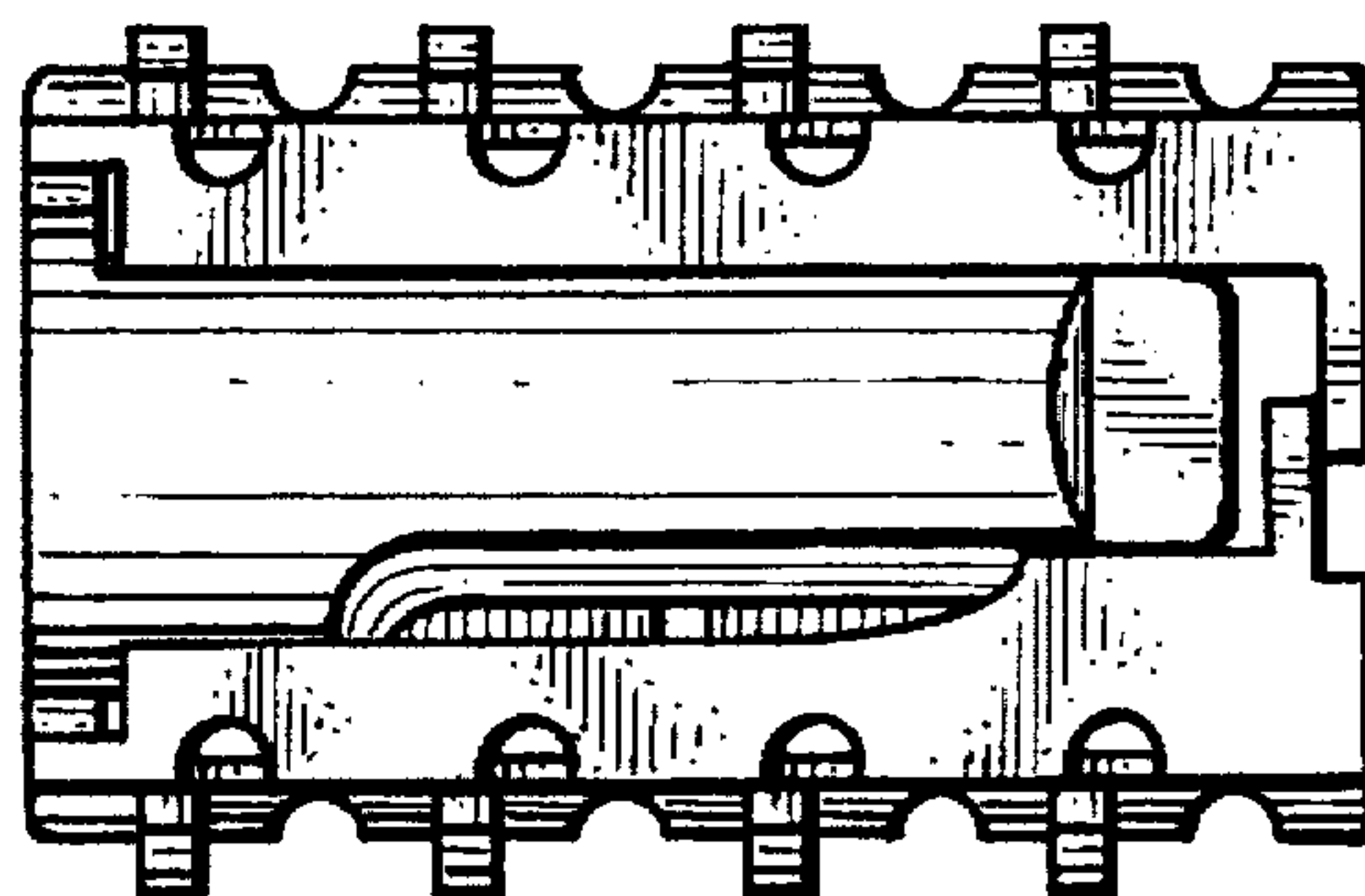


Fig. 3.

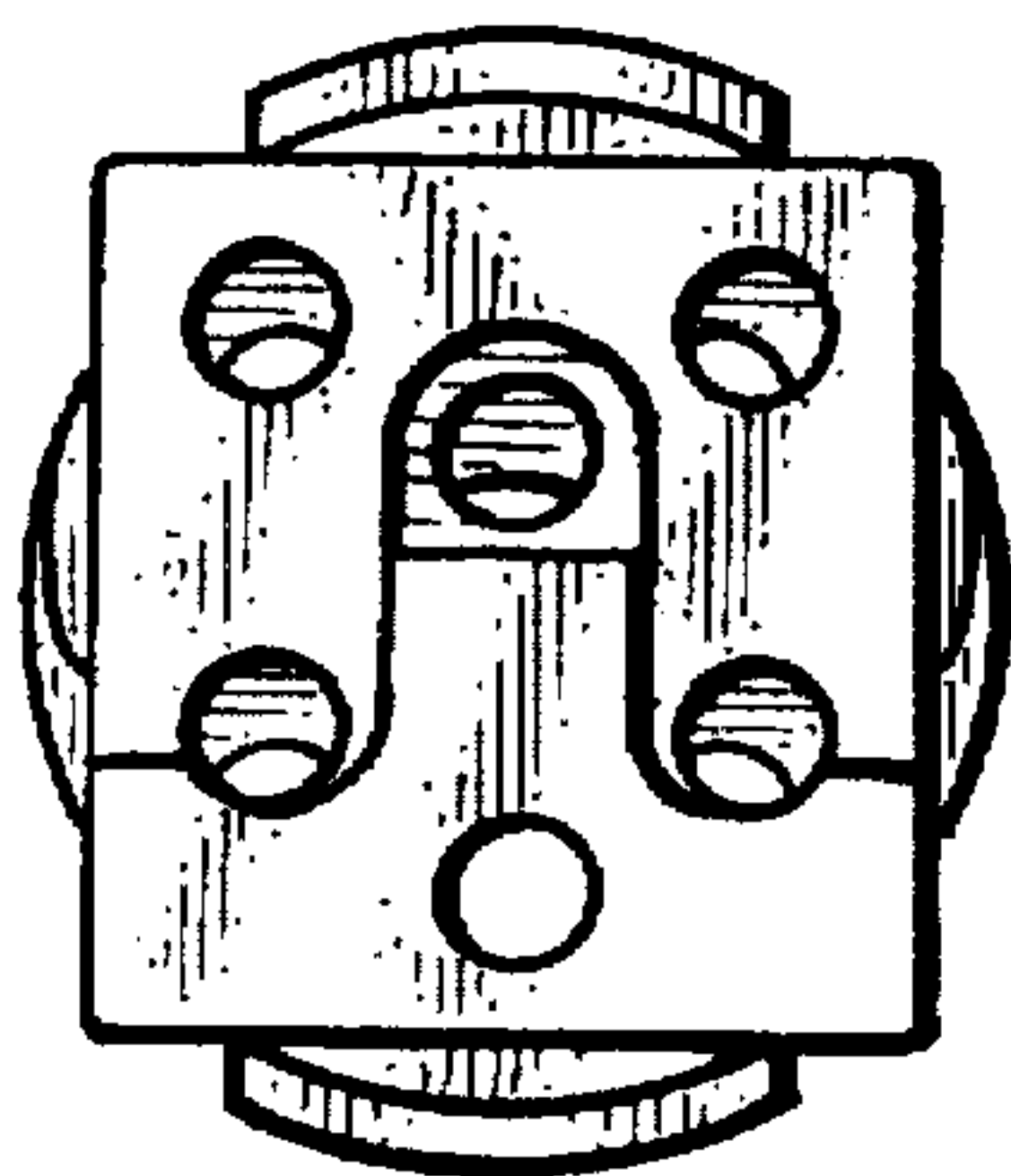


Fig. 4.

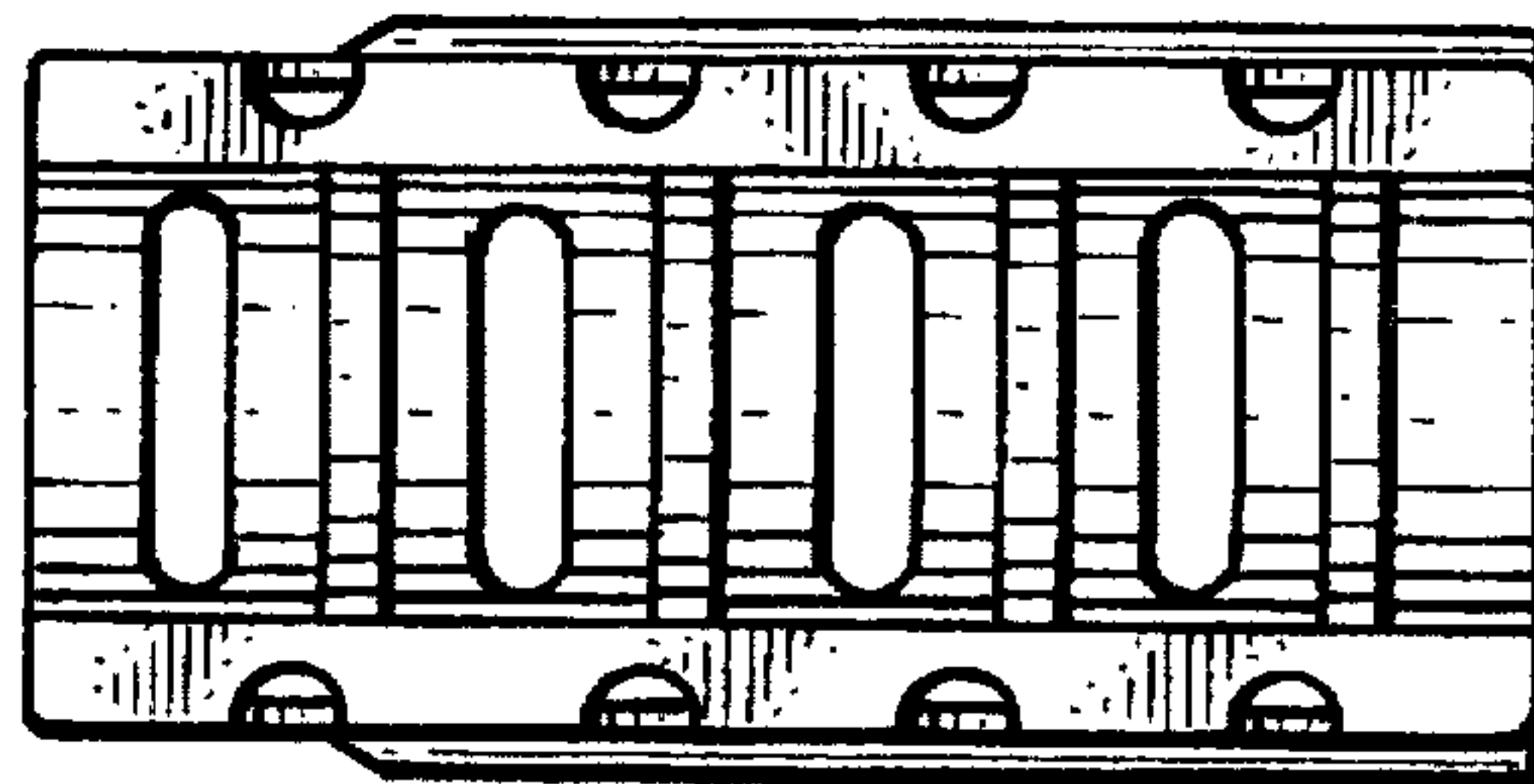


Fig. 5.