



US00D397436S

**United States Patent** [19]  
**Michelson**

[11] **Patent Number: Des. 397,436**  
[45] **Date of Patent: \*\*Aug. 25, 1998**

[54] **COMBINED DISTRACTOR AND SLEEVE FOR INSERTING SPINAL IMPLANTS**

[76] **Inventor: Gary Karlin Michelson, 438 Sherman Canal, Venice, Calif. 90291**

[\*\*] **Term: 14 Years**

[21] **Appl. No.: 60,514**

[22] **Filed: Sep. 30, 1996**

**Related U.S. Application Data**

[62] **Division of Ser. No. 23,141, May 19, 1994, Pat. No. Des. 374,283.**

[51] **LOC (6) Cl. .... 24-02**

[52] **U.S. Cl. .... D24/135; D24/133**

[58] **Field of Search .... D24/133, 135; 606/61, 63, 191, 198; 128/20**

[56] **References Cited**

**U.S. PATENT DOCUMENTS**

2,832,343 4/1958 Mose ..... D24/135

3,486,505 12/1969 Morrison ..... D24/135  
5,306,309 4/1994 Wagner et al. .... 606/61  
5,370,662 12/1994 Stone et al. .... 606/232  
5,425,772 6/1995 Brantigan ..... 606/61

*Primary Examiner—Doris Clark*

*Attorney, Agent, or Firm—Lewis Anten, Esq.; Amedeo Ferraro, Esq.*

[57] **CLAIM**

The ornamental design for the combined distractor and sleeve for inserting spinal implants, as shown and described.

**DESCRIPTION**

FIG. 1 is a right side perspective view, the left side being a mirror image thereof;

FIG. 2 is a fragmentary top plan view thereof;

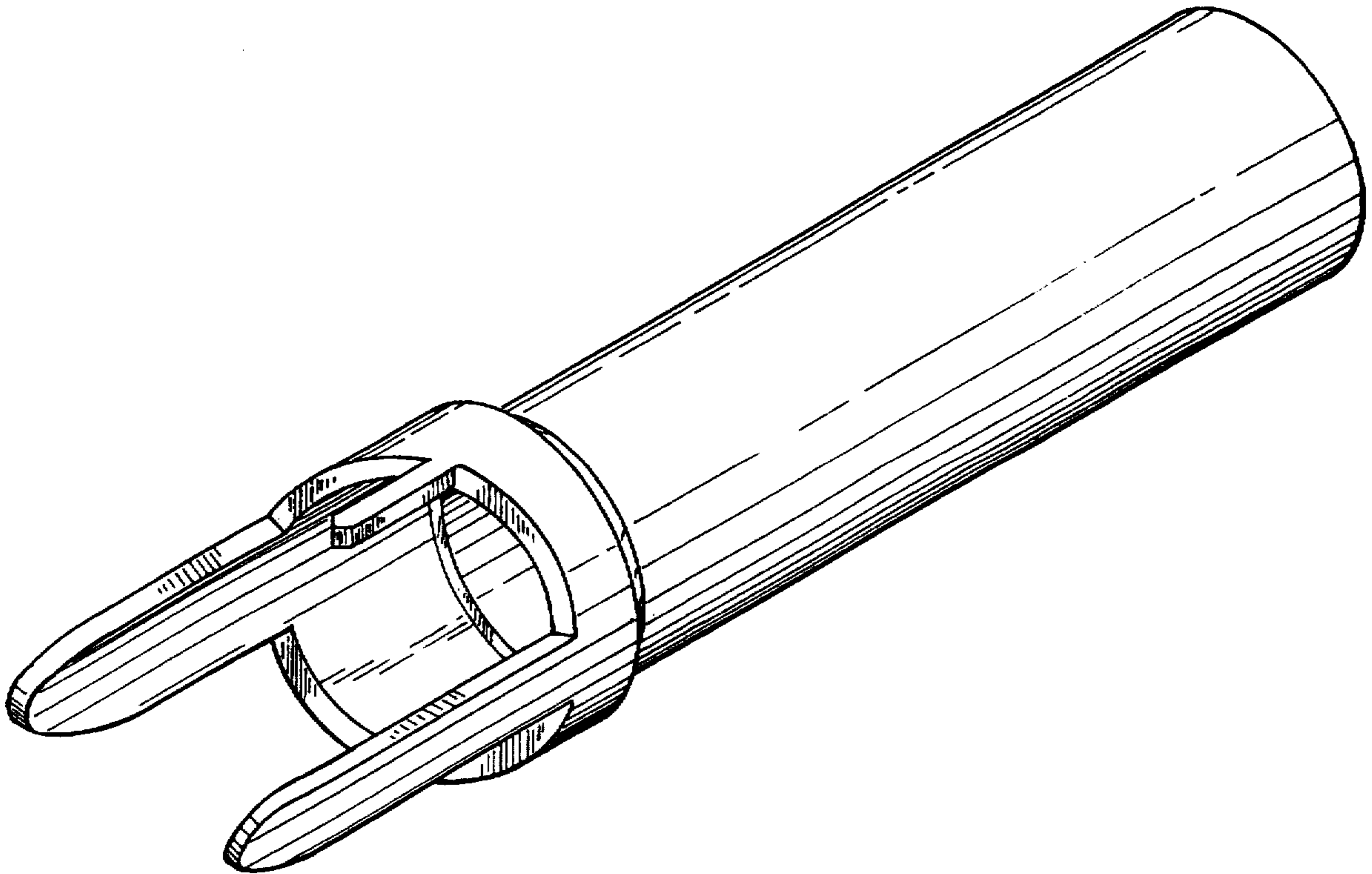
FIG. 3 is a rear view thereof;

FIG. 4 is a front view thereof;

FIG. 5 is a fragmentary left side elevational view, the right side being a mirror image thereof; and,

FIG. 6 is a fragmentary bottom plan view thereof.

**1 Claim, 2 Drawing Sheets**



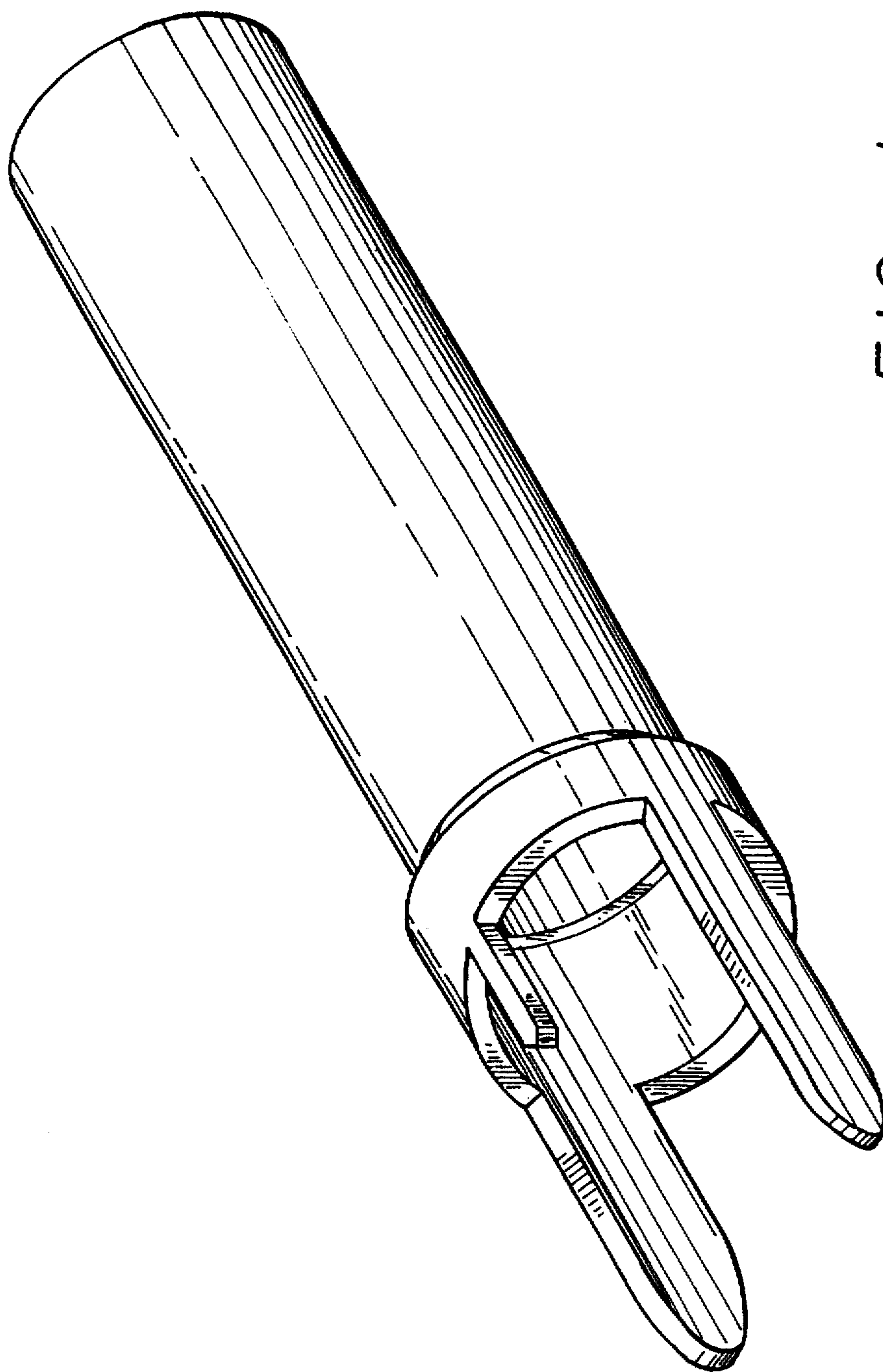


FIG. 1

FIG. 3

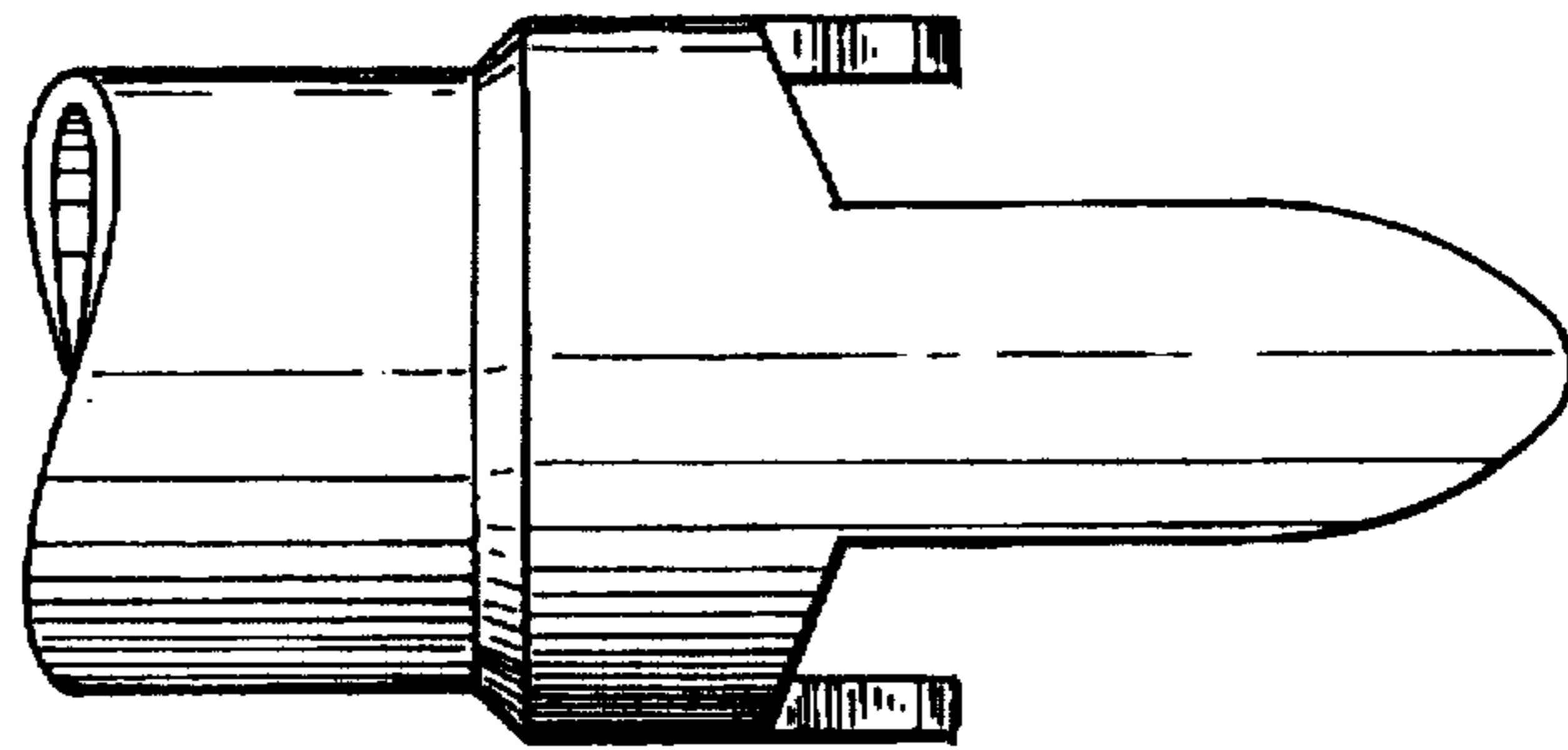
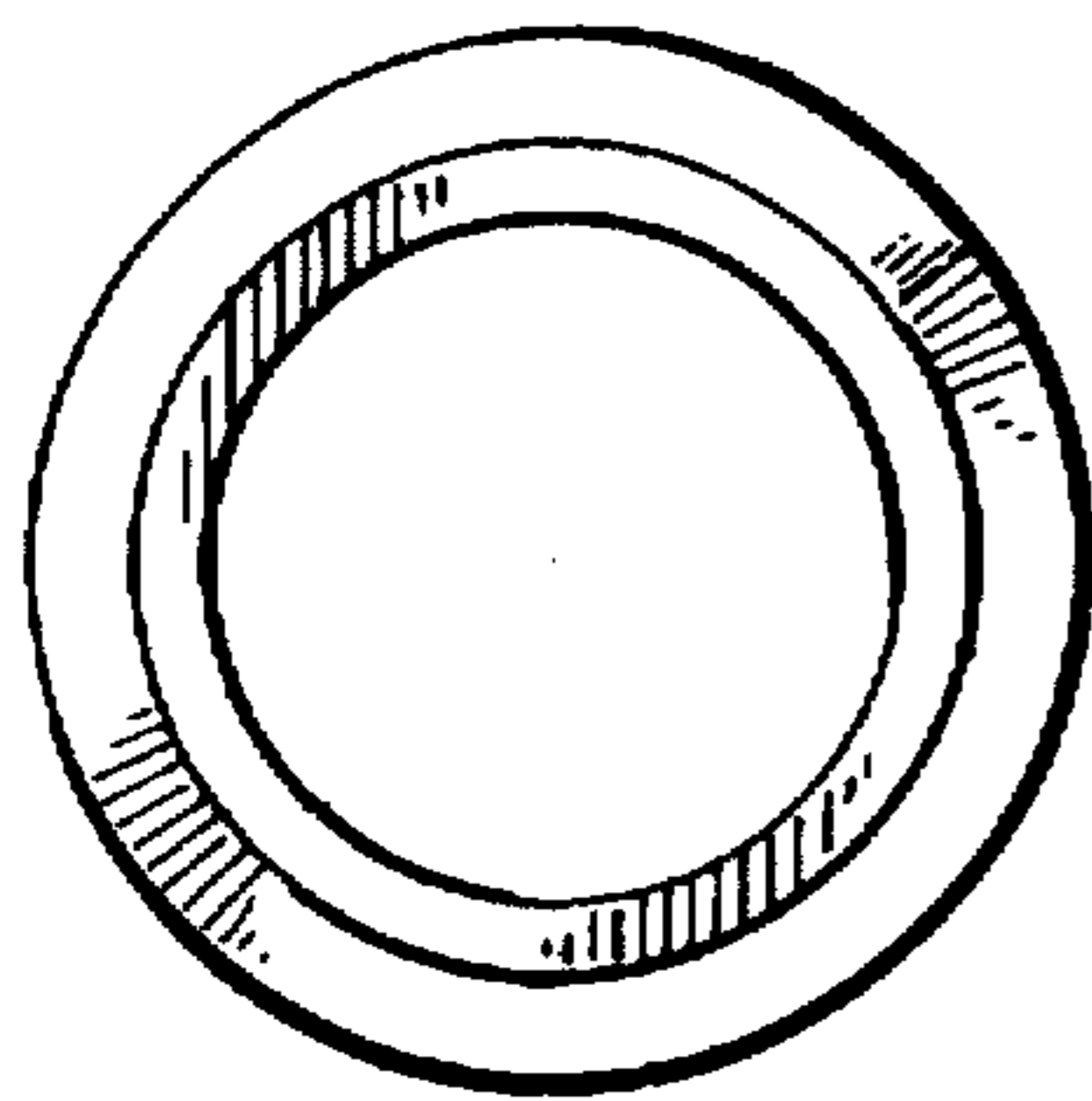


FIG. 2

FIG. 5

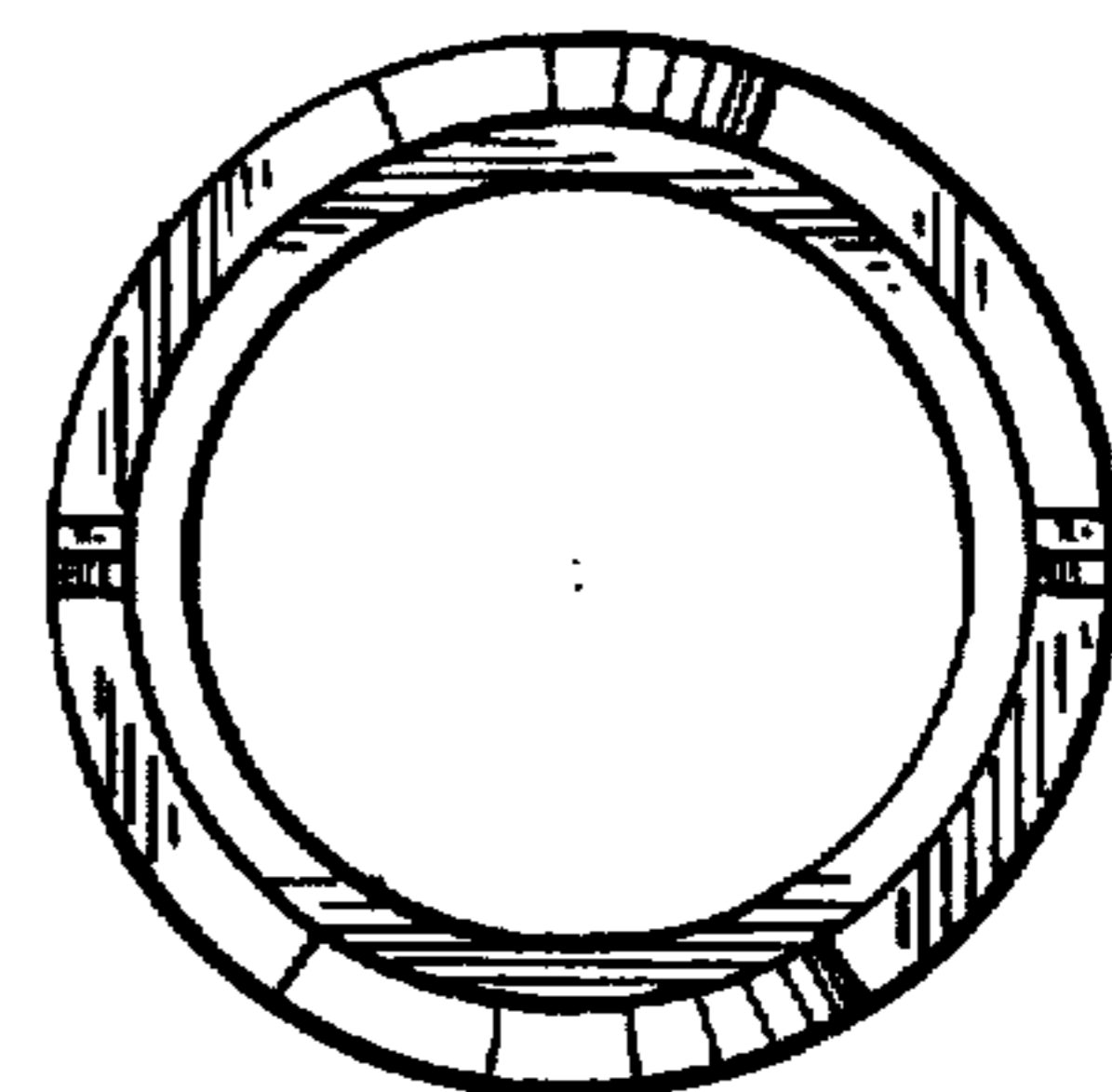
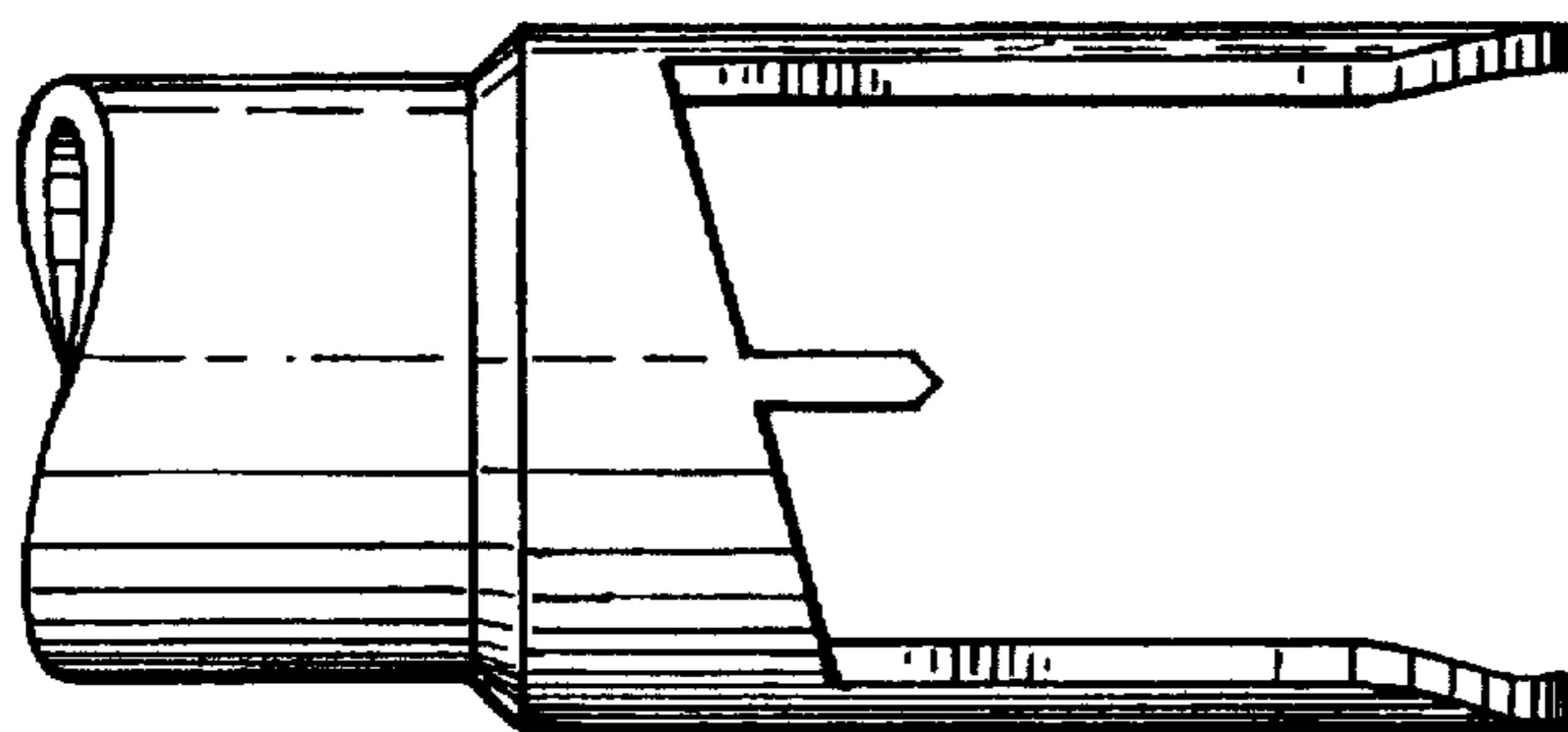


FIG. 4

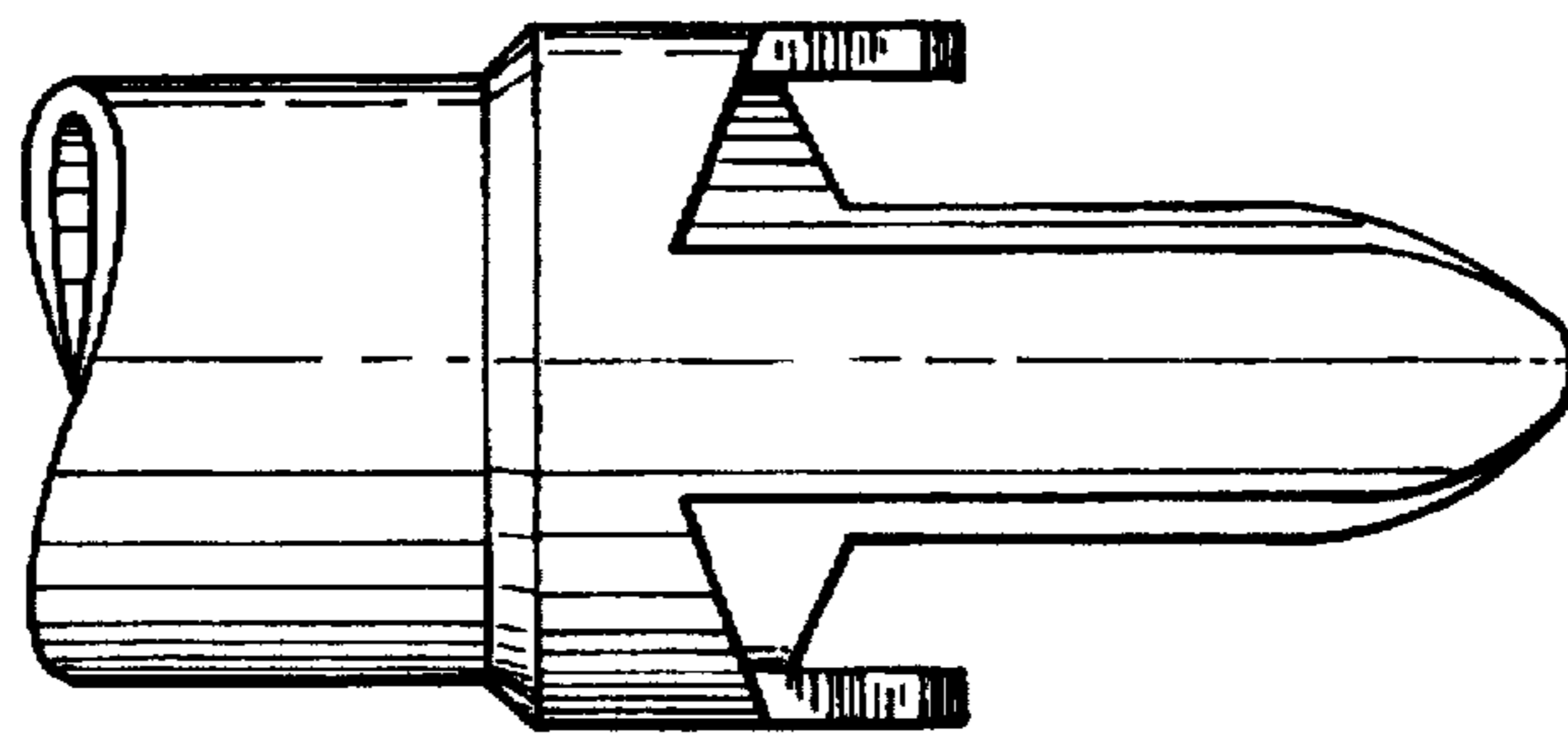


FIG. 6