



US00D397430S

United States Patent [19]

[11] Patent Number: Des. 397,430

Ediger et al.

[45] Date of Patent: **Aug. 25, 1998

[54] HOUSING FOR A HEATER

D. 376,005 11/1996 Litvin D23/381

[75] Inventors: **Glen W. Ediger**, North Newton; **Gary P. Israel**, Andover; **Kevin E. Keller**; **Michael C. Coup**, both of Wichita, all of Kans.

Primary Examiner—Lisa Lichtenstein
Attorney, Agent, or Firm—Edward L. Brown, Jr.

[73] Assignee: **Vornado Air Circulation Systems, Inc.**, Wichita, Kans.

[57] CLAIM

The ornamental design for a housing for a heater, as shown and described.

[**] Term: 14 Years

DESCRIPTION

[21] Appl. No.: 67,013

FIG. 1 is a front elevational view;

[22] Filed: Feb. 20, 1997

FIG. 2 is a rear elevational view;

[51] LOC (6) Cl. 23-03

FIG. 3 is a bottom view;

[52] U.S. Cl. D23/386; D23/332; D23/335; D23/337

FIG. 4 is a top view;

[58] Field of Search D23/335, 386, D23/332, 328, 337, 370, 411, 381, 382, 336; 416/246, 247; 392/365-369

FIG. 5 is a left side elevational view; and,

FIG. 6 is a front perspective view from the left side.

[56] References Cited

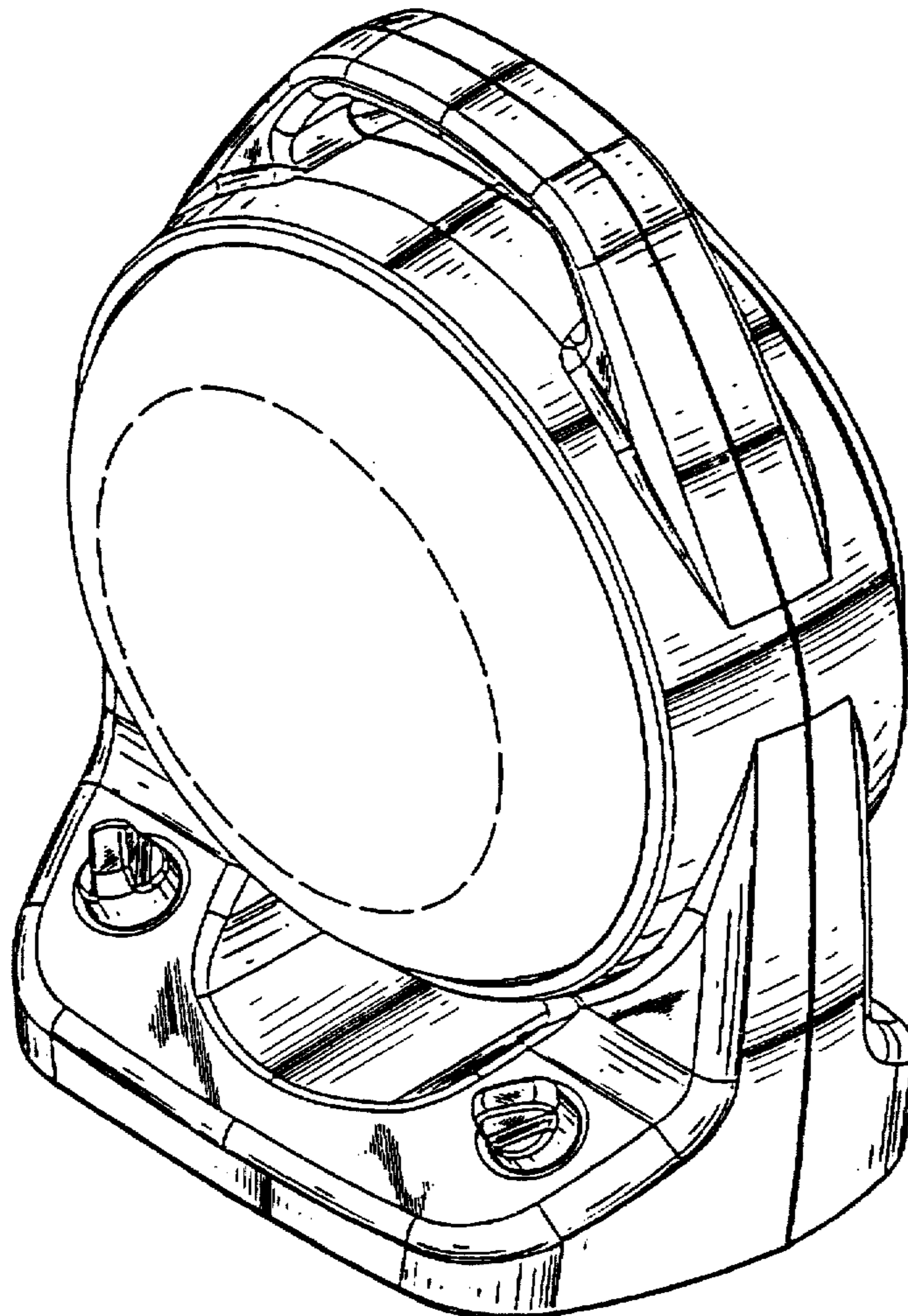
The right side elevational view of the housing for a heater is a mirror image of the left side.

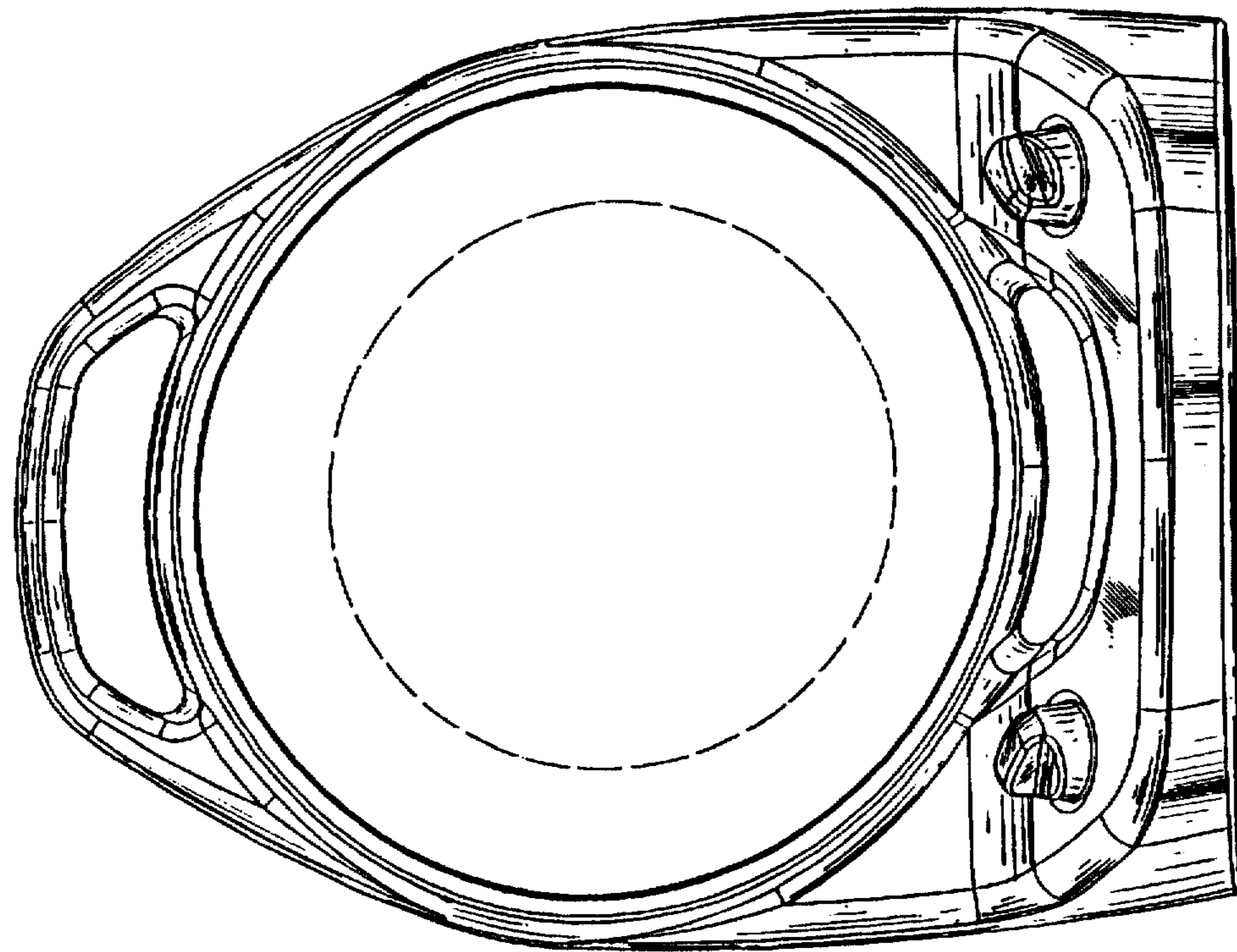
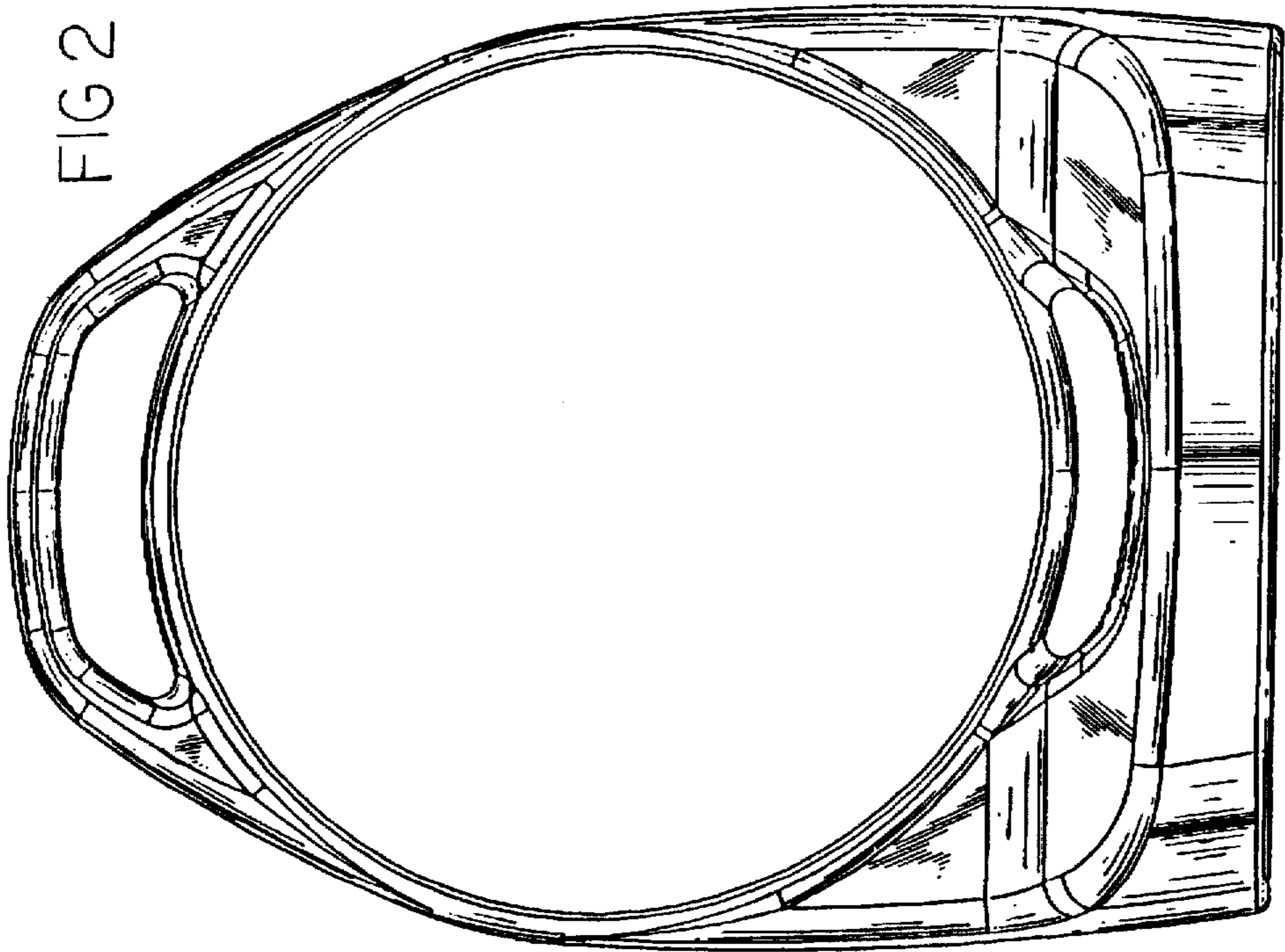
U.S. PATENT DOCUMENTS

The broken line showing of the grill in FIGS. 1, 4, 5 & 6 is for illustrative purposes only and forms no part of the claimed design.

D. 353,660 12/1994 Cuning D23/328

1 Claim, 3 Drawing Sheets





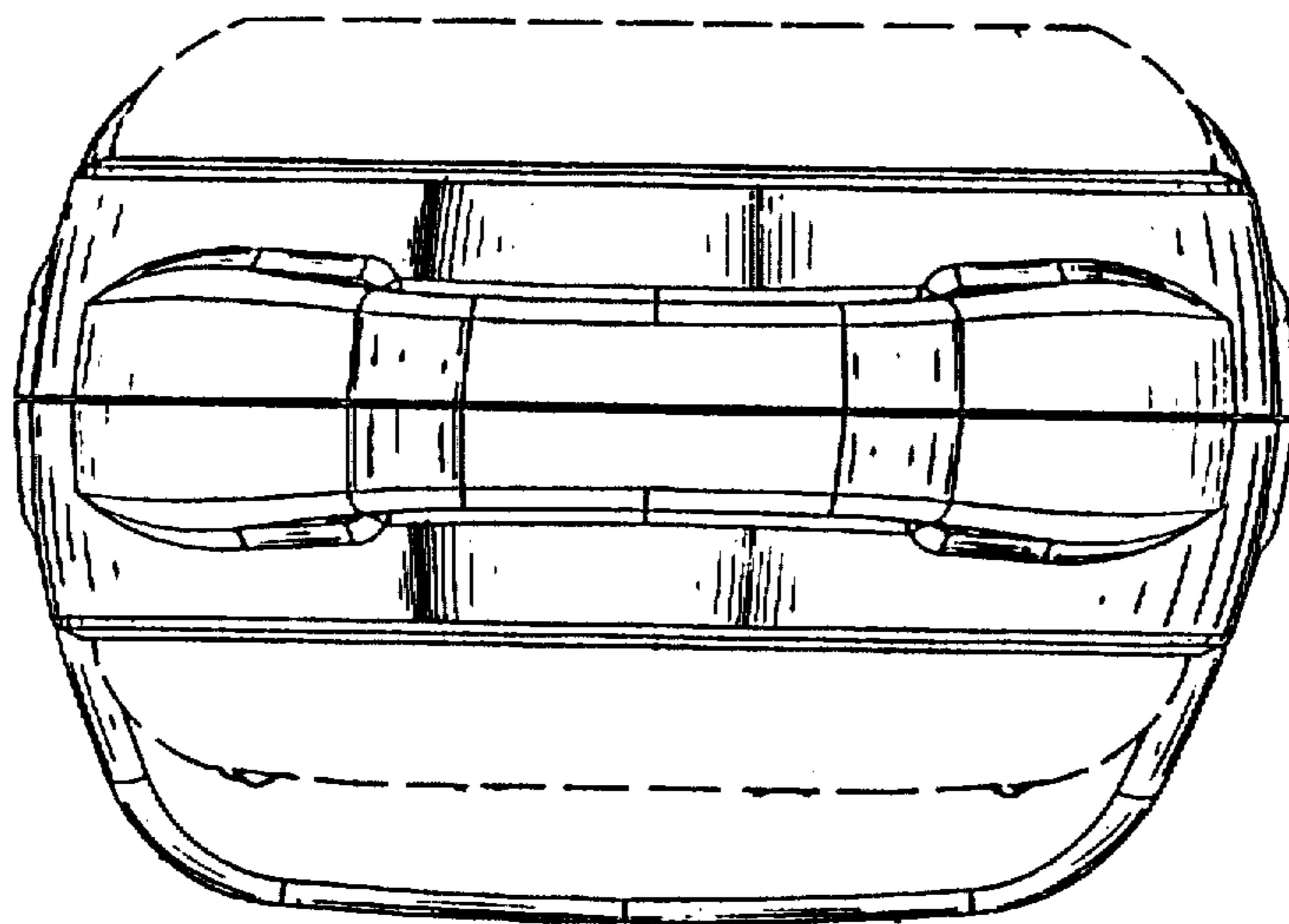


FIG 4

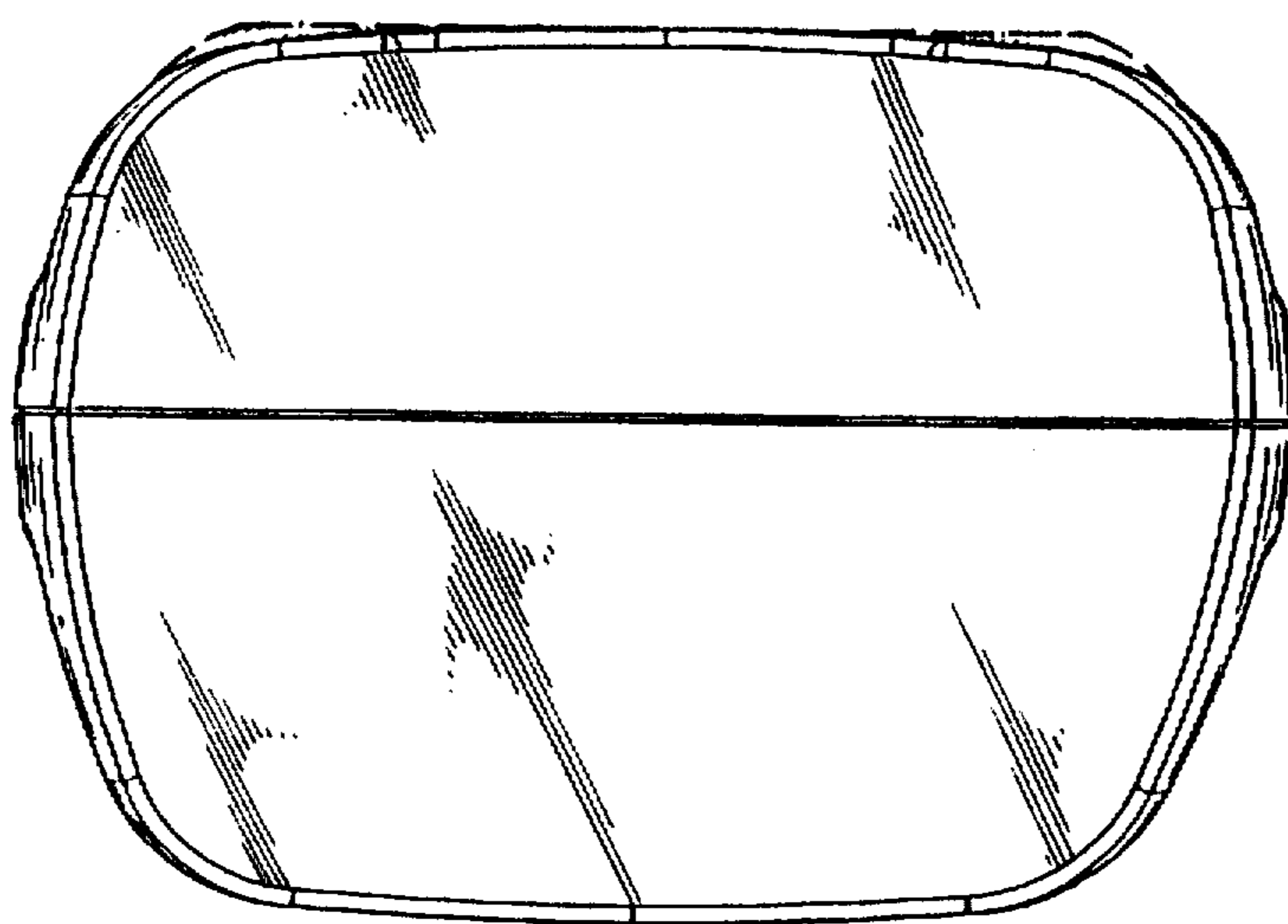


FIG 3

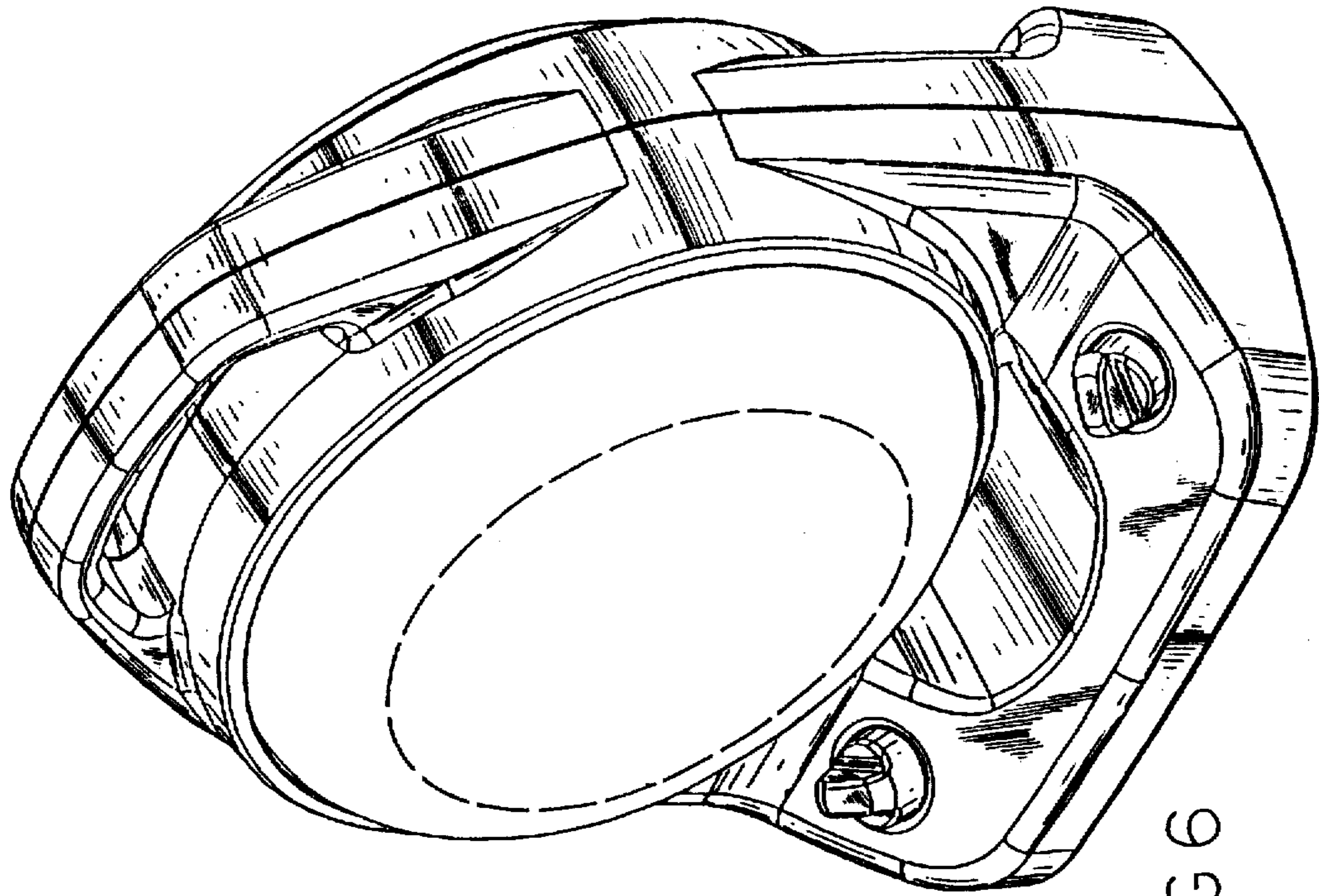


FIG 6

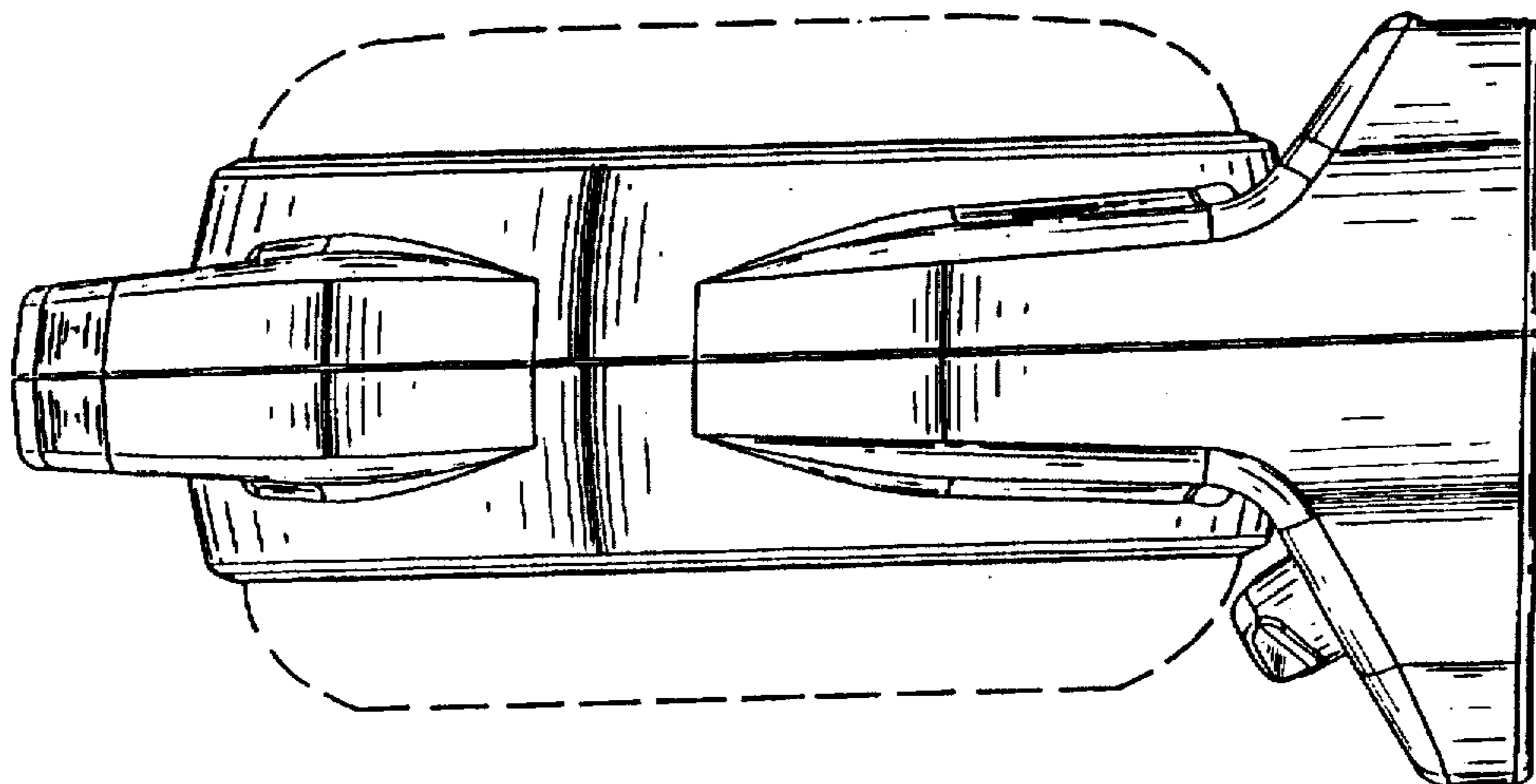


FIG 5