



US00D397429S

United States Patent [19]
Vignot

[11] **Patent Number:** **Des. 397,429**
[45] **Date of Patent:** ****Aug. 25, 1998**

[54] **AIR CONDITIONING APPLIANCE**
[75] **Inventor:** **Eric Vignot, Bussy-Saint-Georges, France**
[73] **Assignee:** **Laboratoires Prodene Klint, Mitry Mory, France**
[**] **Term:** **14 Years**

*Primary Examiner—Lisa Lichtenstein
Attorney, Agent, or Firm—Roland Plottel*

[57] **CLAIM**

The ornamental design for an air conditioning appliance, as shown.

DESCRIPTION

[21] **Appl. No.:** **74,613**
[22] **Filed:** **Aug. 5, 1997**
[30] **Foreign Application Priority Data**
Feb. 14, 1997 [XH] Hague Agreement DM039181
[51] **LOC (6) Cl.** **23-04**
[52] **U.S. Cl.** **D23/351; D23/333**
[58] **Field of Search** **D23/333, 351-354; 62/262; 454/203**

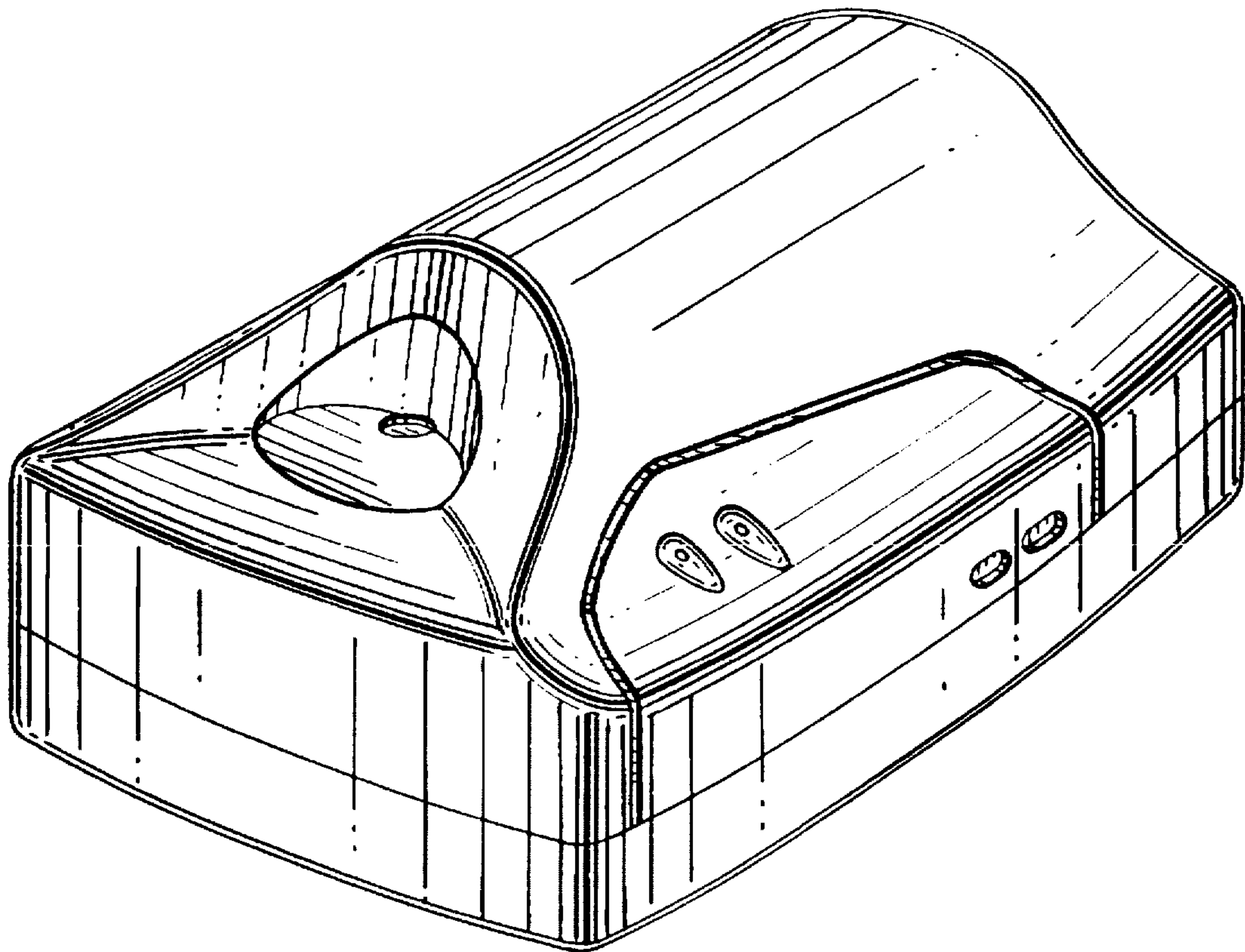
FIG. 1 is a top plan view of an air conditioning appliance, showing my new design;
FIG. 2 is a bottom plan view thereof;
FIG. 3 is a rear elevational view thereof;
FIG. 4 is a front elevational view thereof;
FIG. 5 is a left side elevational view thereof;
FIG. 6 is a right side elevational view thereof; and,
FIG. 7 is a top, front, and left side perspective view thereof.

[56] **References Cited**

U.S. PATENT DOCUMENTS

D. 310,409 9/1990 Allen et al. D23/351

1 Claim, 5 Drawing Sheets



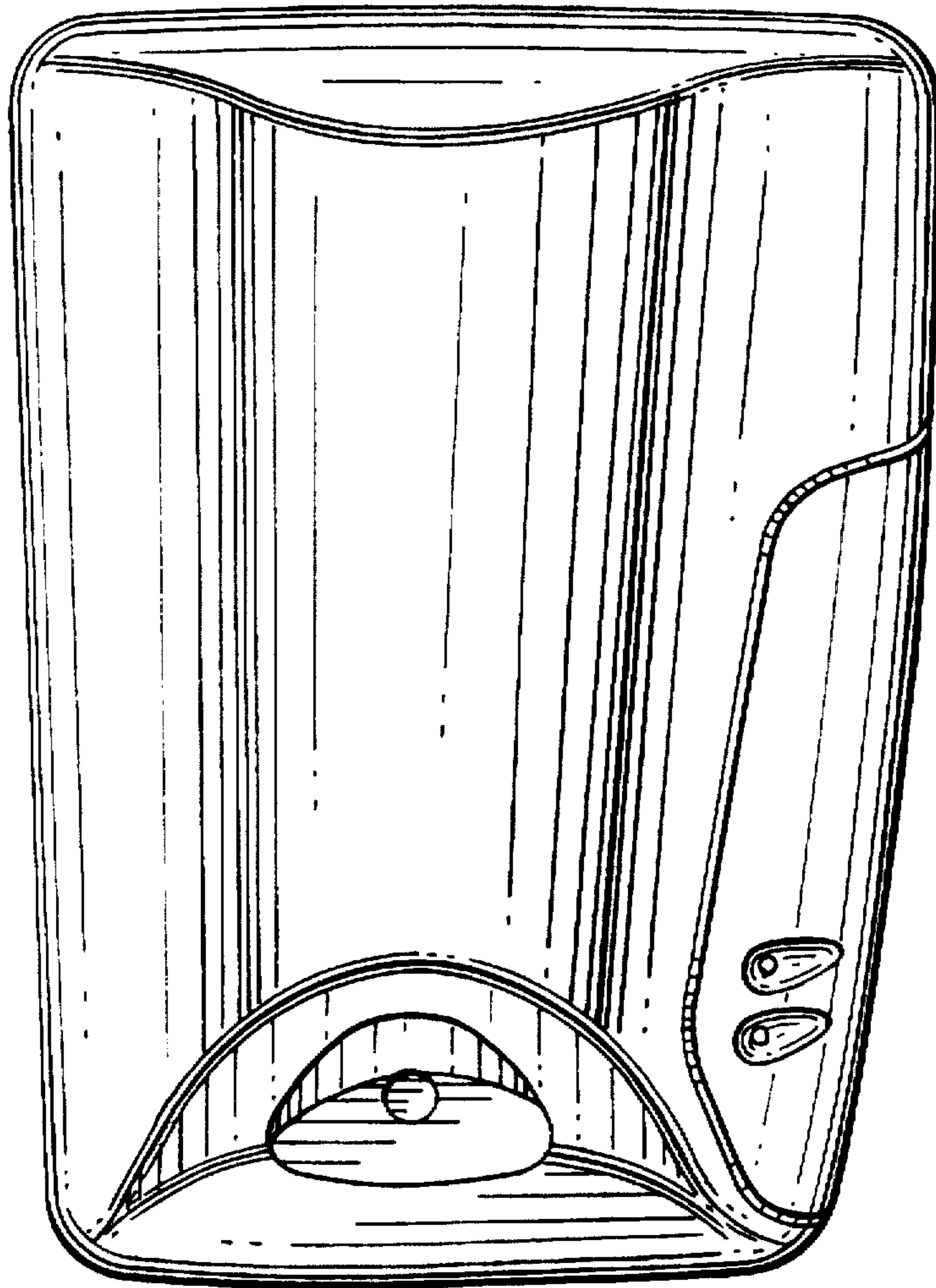


FIG. 1

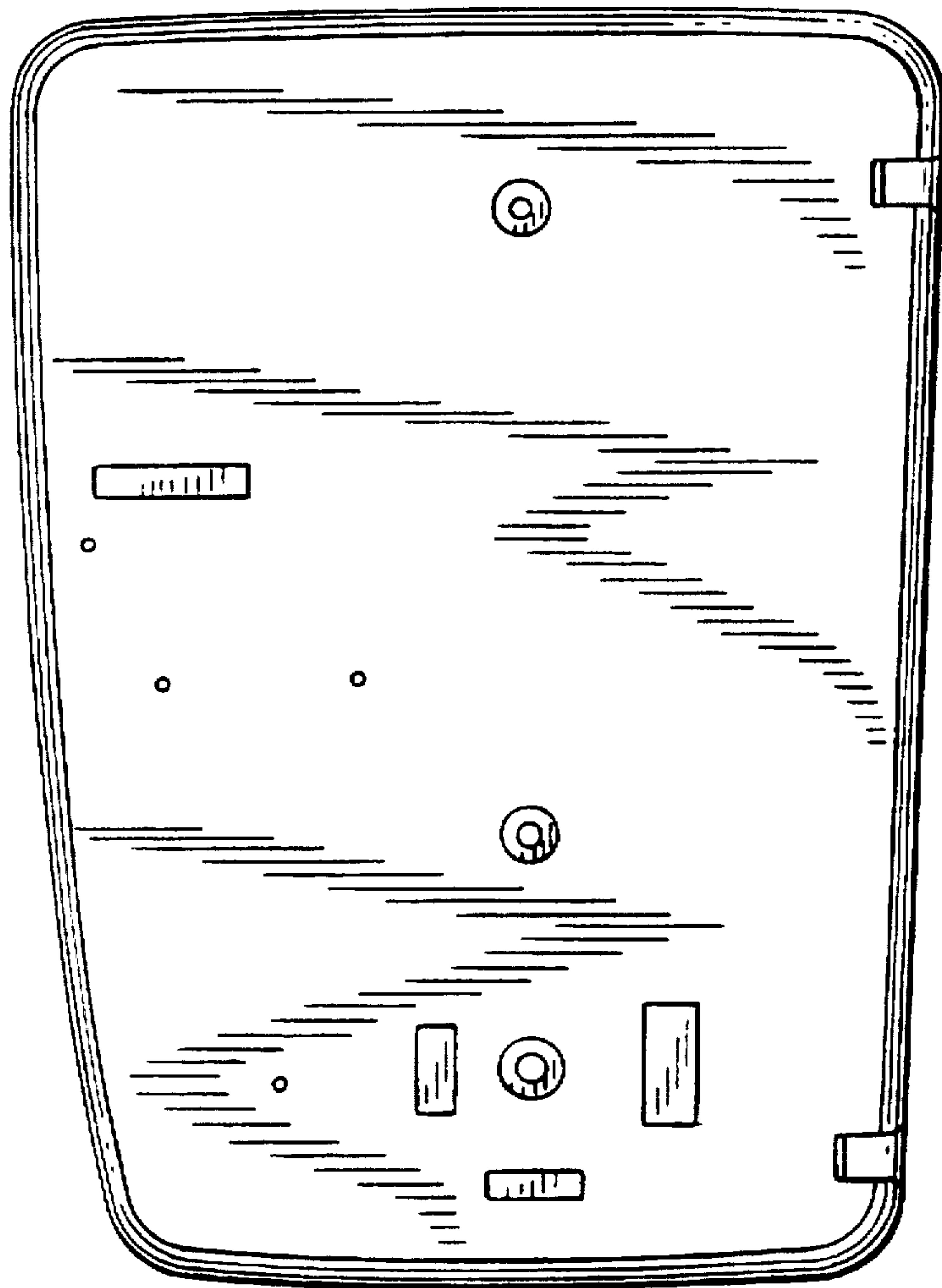


FIG. 2

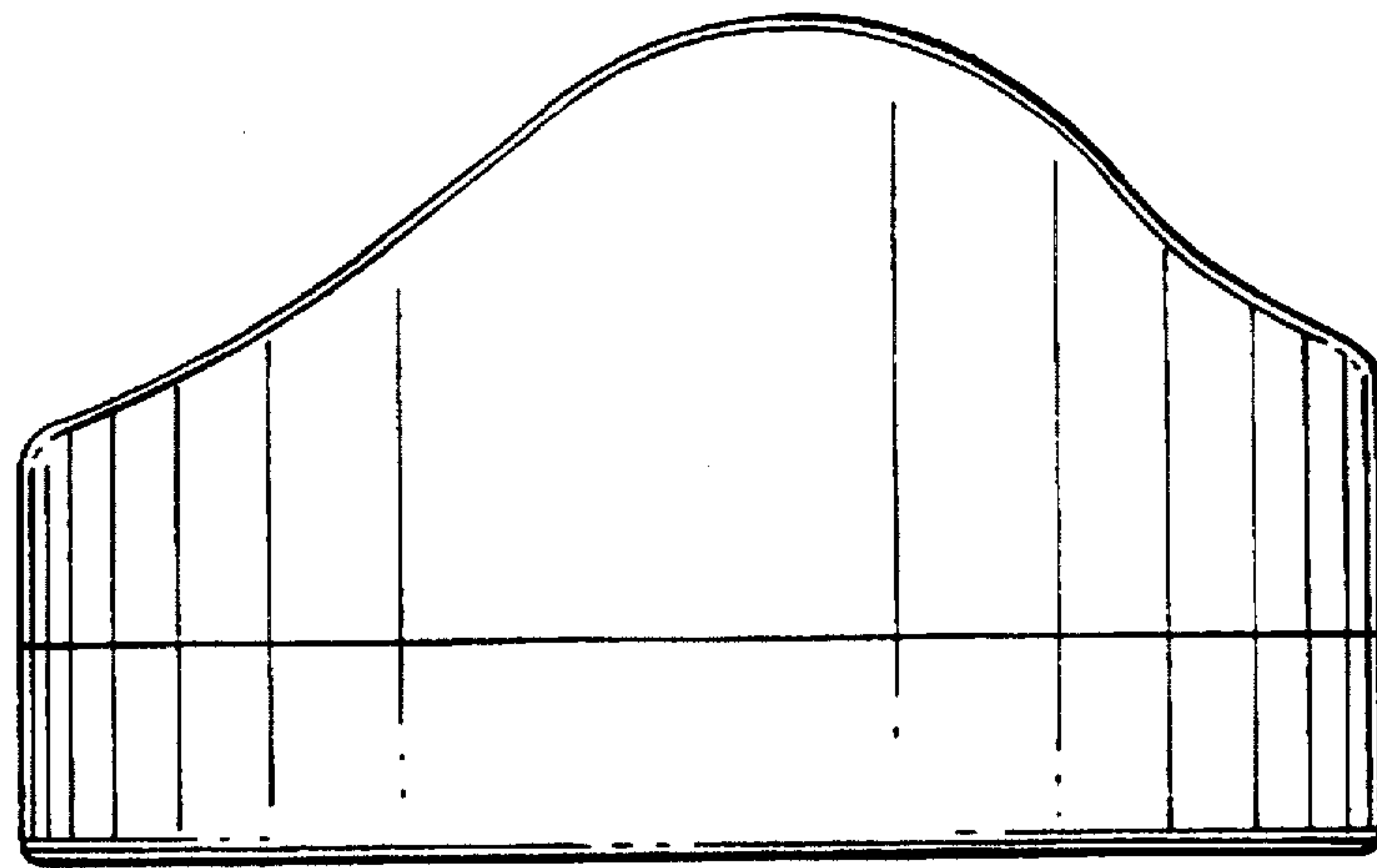


FIG. 3

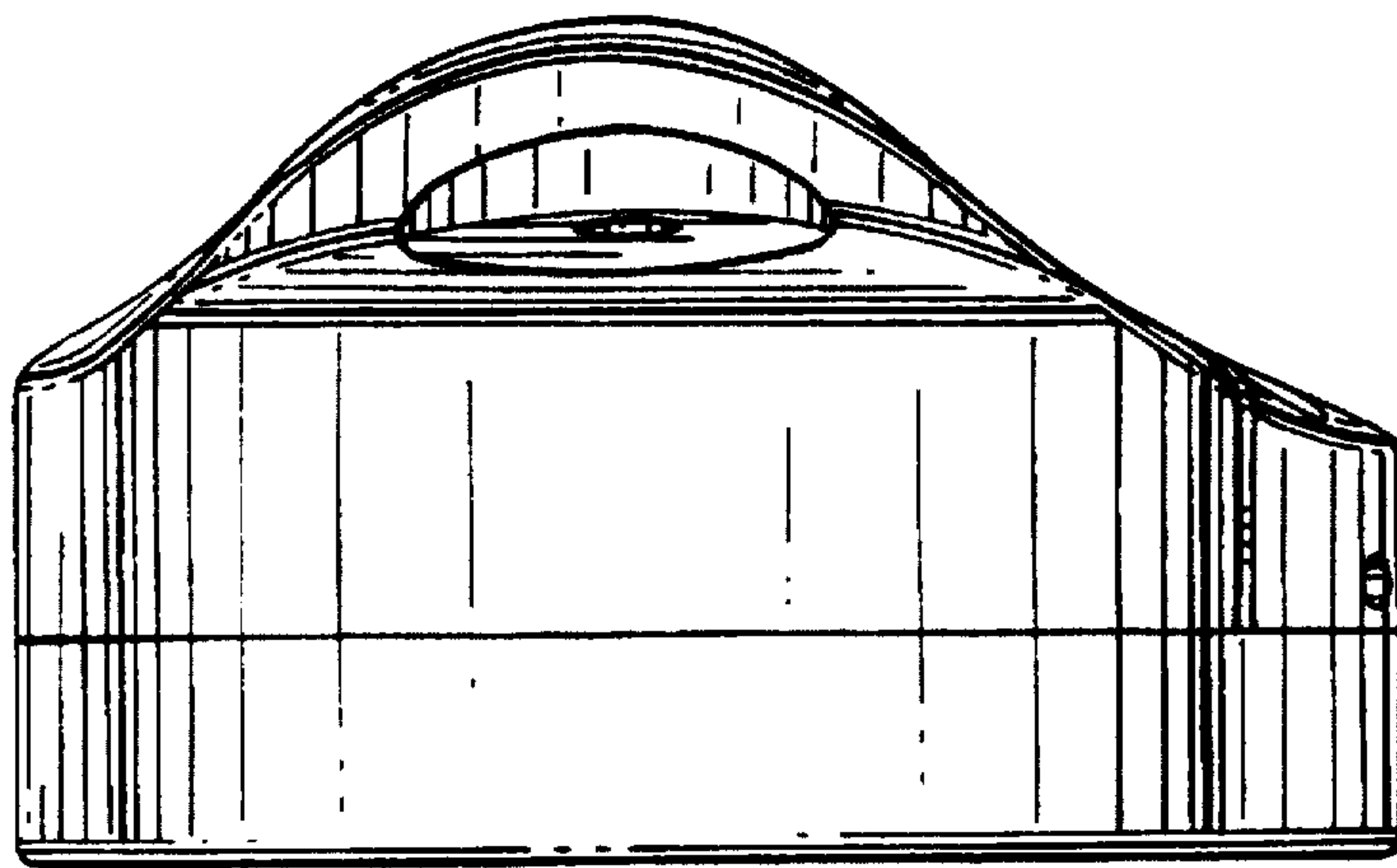


FIG. 4

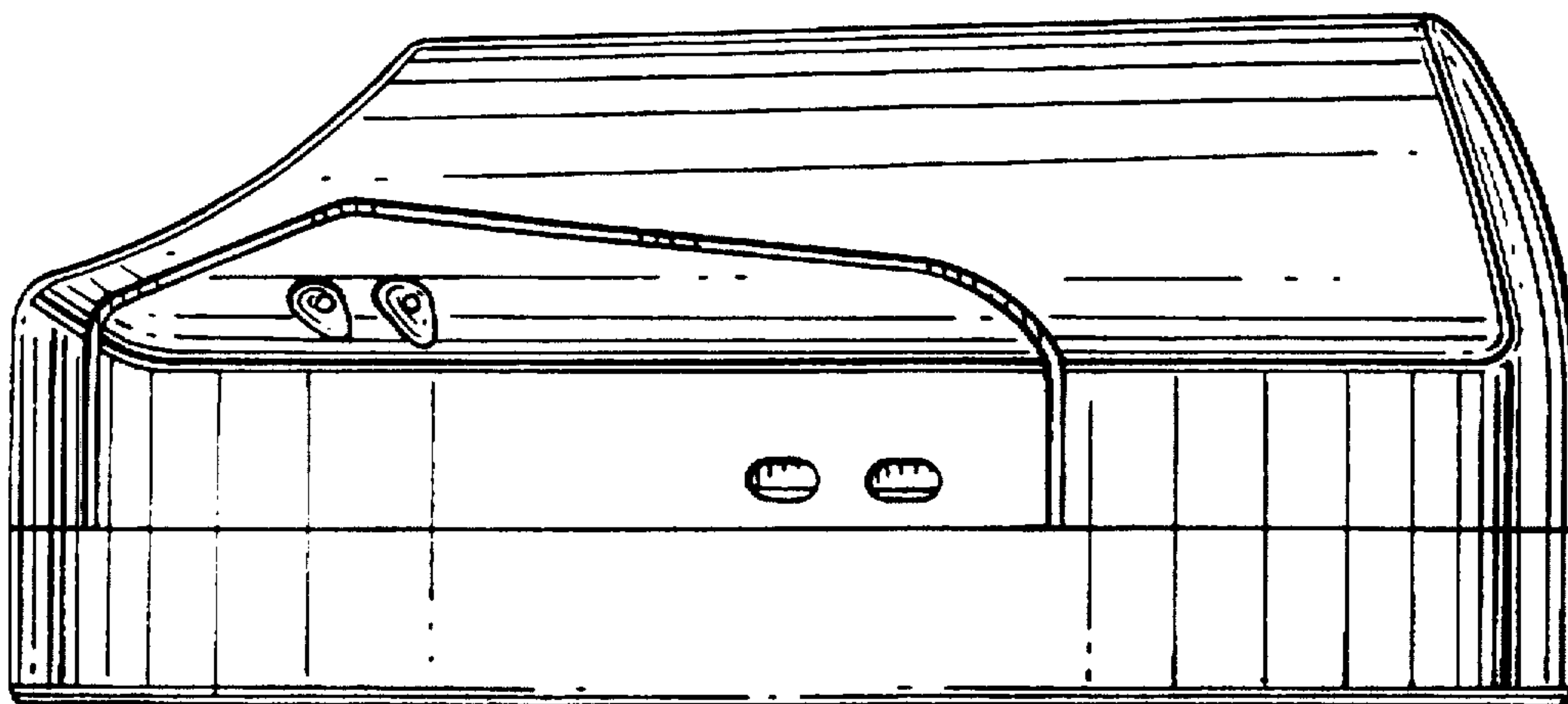


FIG. 5

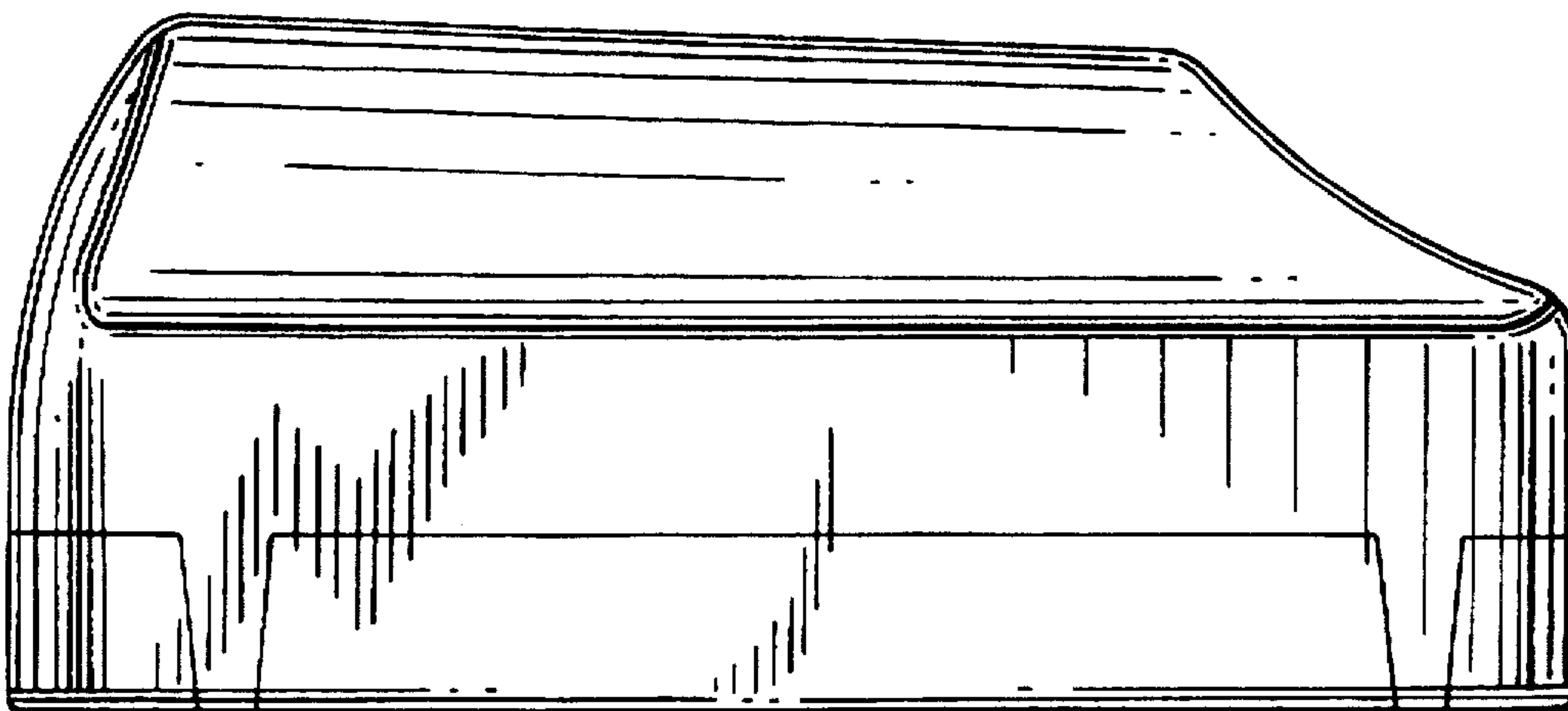


FIG. 6

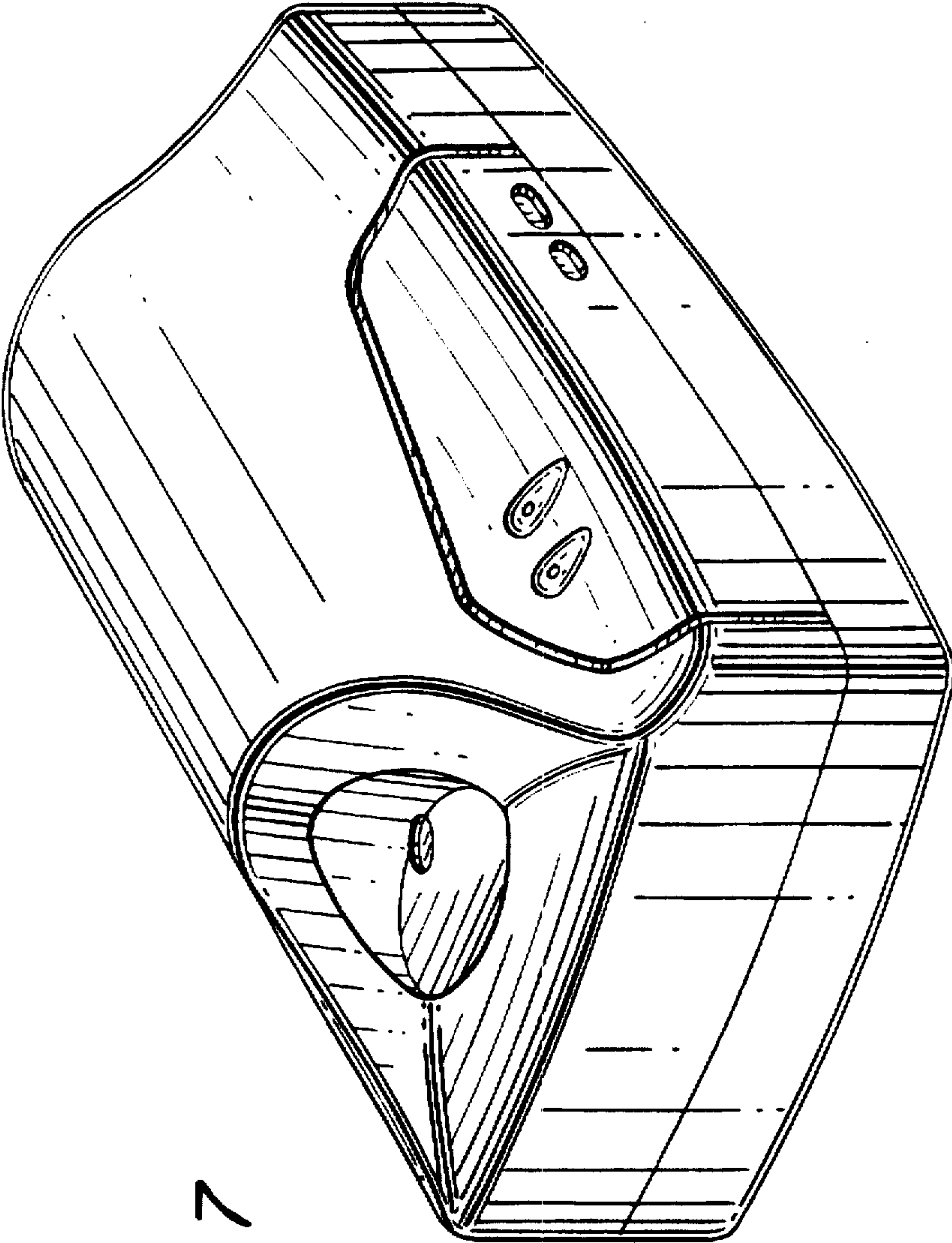


FIG. 7