



US00D397427S

United States Patent [19]

Junkel et al.

[11] Patent Number: Des. 397,427

[45] Date of Patent: **Aug. 25, 1998

[54] **COMBINED PORTABLE FAN AND SPRAY MISTING DEVICE**

[75] Inventors: **Eric F. Junkel**, Des Plaines; **Lee Radtke**, Lake Zurich; **Linda M. Usher**, Chicago, all of Ill.

[73] Assignee: **Circulair, Inc.**, Chicago, Ill.

[**] Term: **14 Years**

[21] Appl. No.: **76,493**

[22] Filed: **Sep. 17, 1997**

Related U.S. Application Data

[62] Division of Ser. No. 69,929, Apr. 29, 1997.

[51] LOC (6) Cl. **23-04**

[52] U.S. Cl. **D23/328; D9/300; D9/337; D23/332; D23/378; D23/379**

[58] Field of Search **D23/332, 338, D23/370, 378, 379; 416/146 R, 63, 234, 223 R; 239/333, 290, 289; D9/300, 337, 448**

[56] References Cited

U.S. PATENT DOCUMENTS

D. 332,913 2/1993 Carroll D9/448

D. 345,301	3/1994	Goehring	D9/300
D. 349,954	8/1994	Steiner et al.	D23/328
D. 350,281	9/1994	Coe	D9/300
2,909,316	10/1959	Prohaczka et al.	416/246
3,006,510	10/1961	Sagarin	D9/448

FOREIGN PATENT DOCUMENTS

443216 12/1948 Italy 416/5

Primary Examiner—Lisa Lichtenstein
Attorney, Agent, or Firm—Gifford, Krass, Groh, Sprinkle, Patmore, Anderson & Citkowski, P.C.

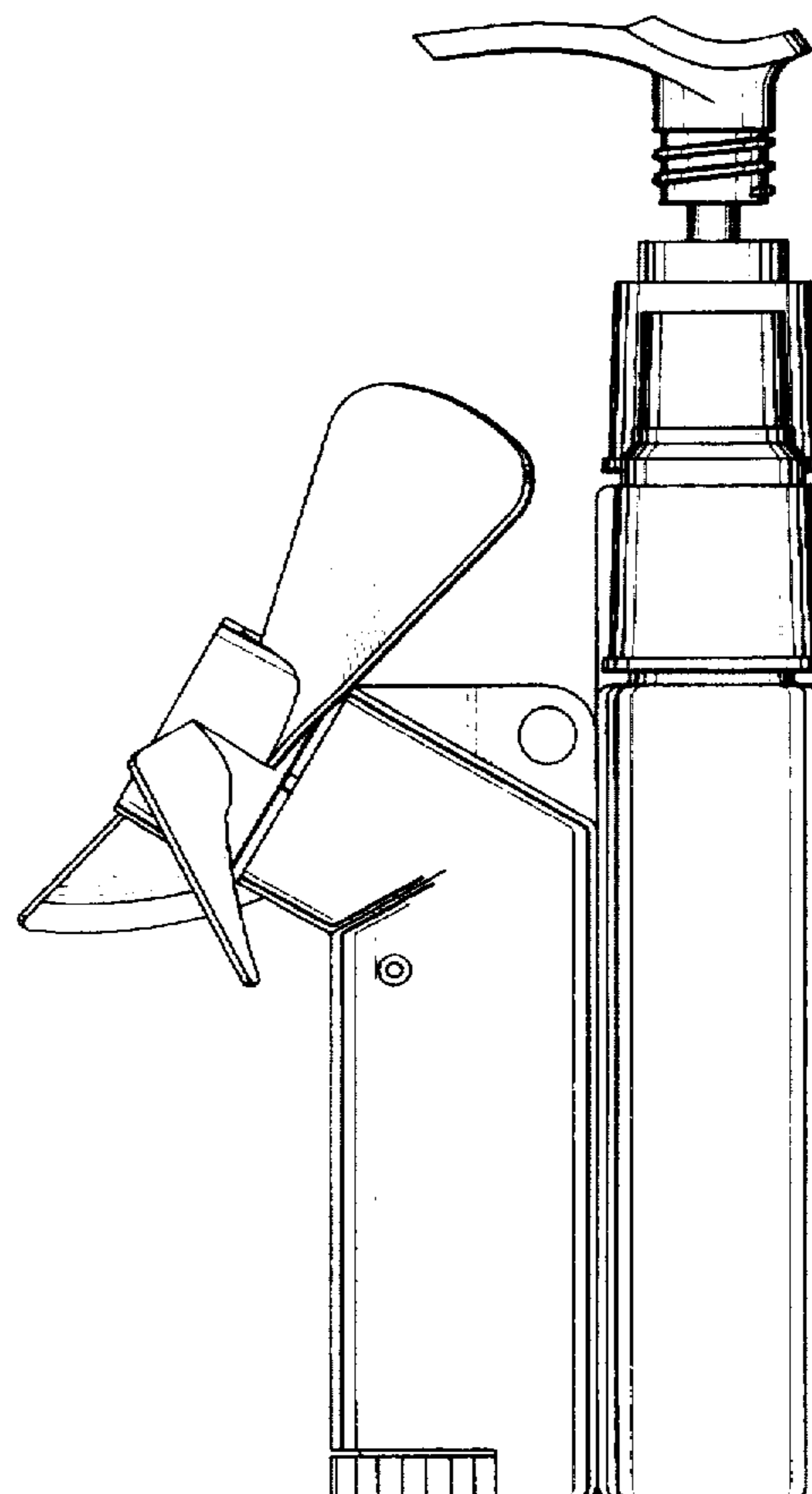
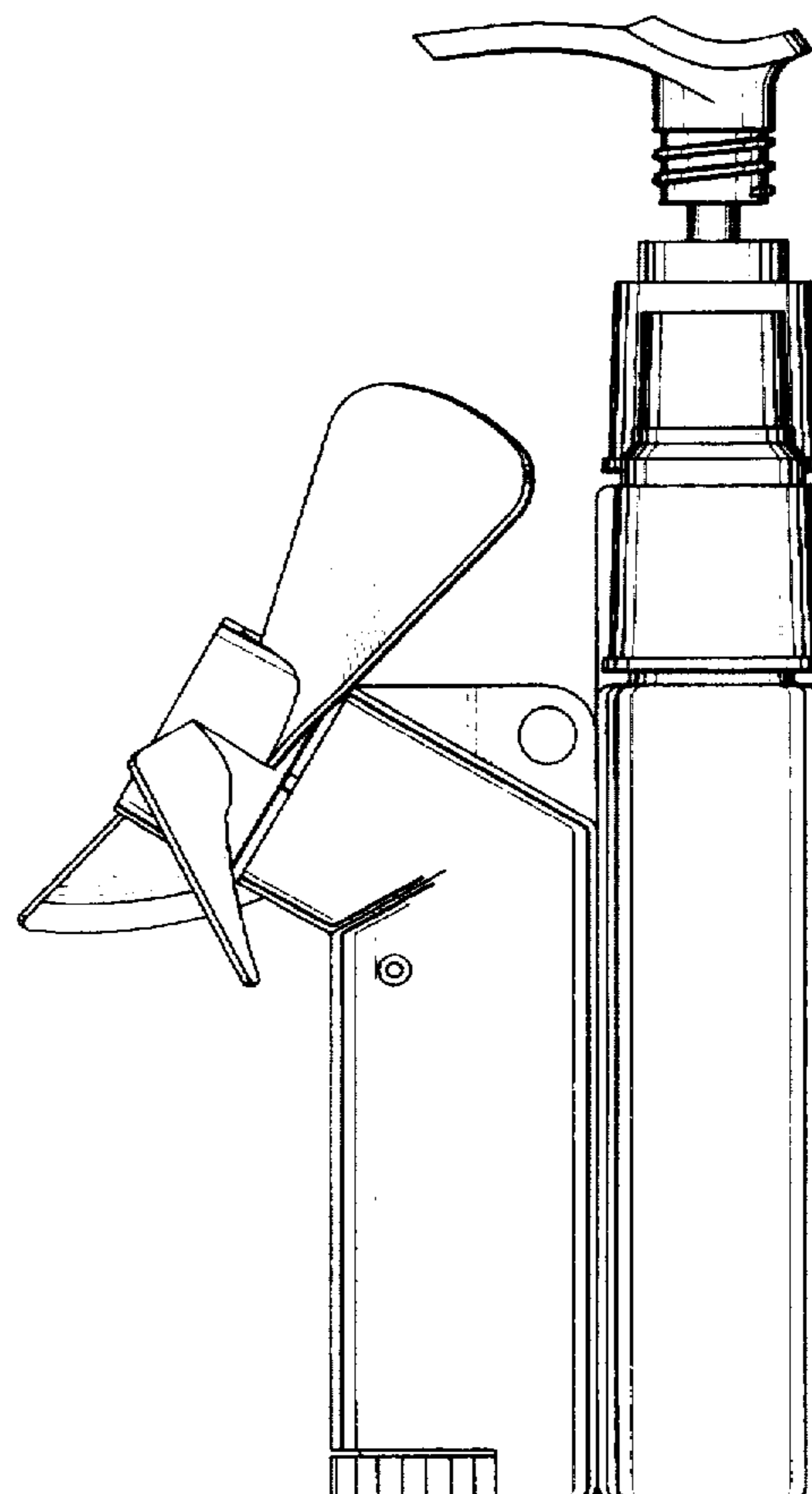
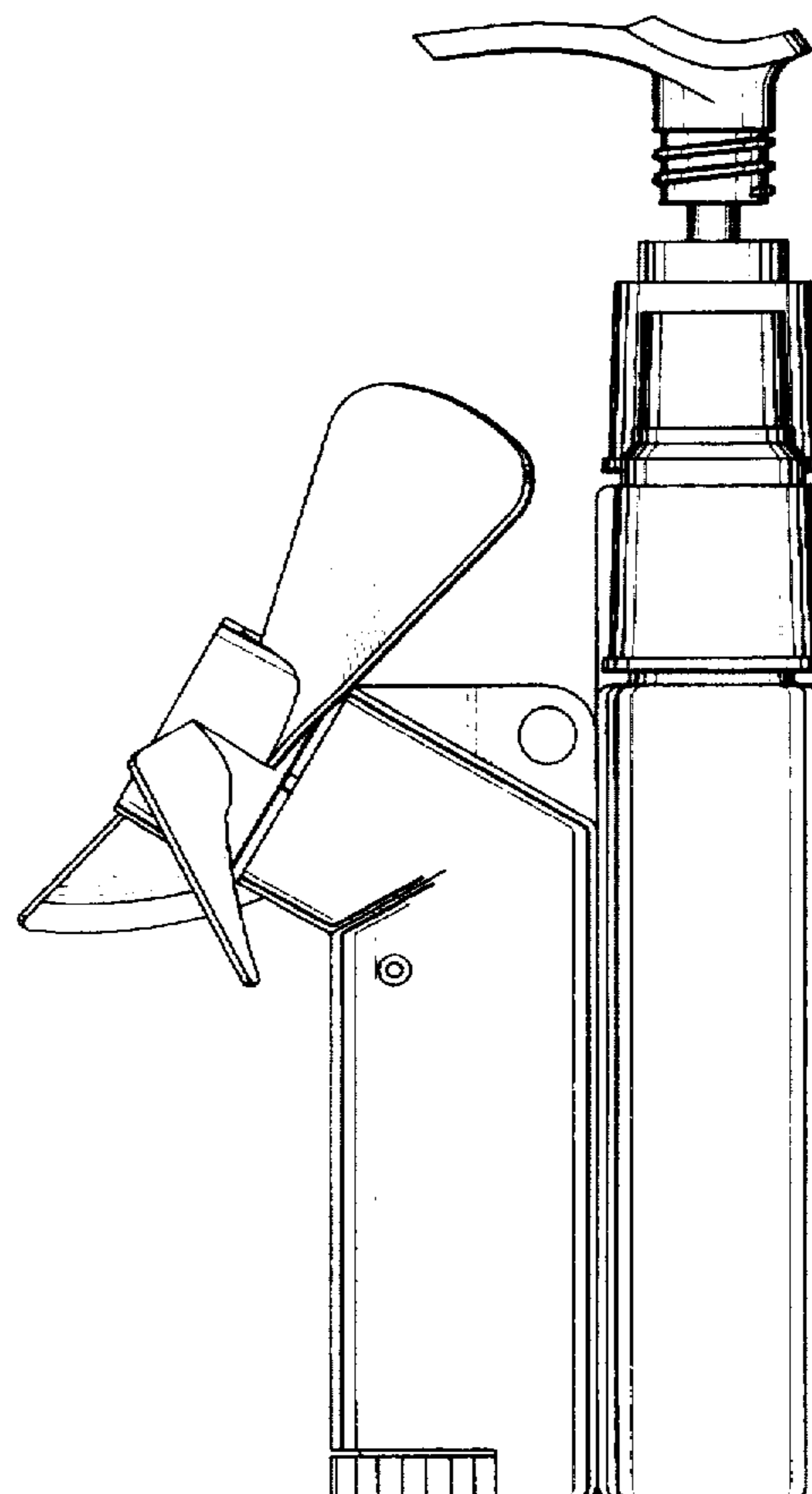
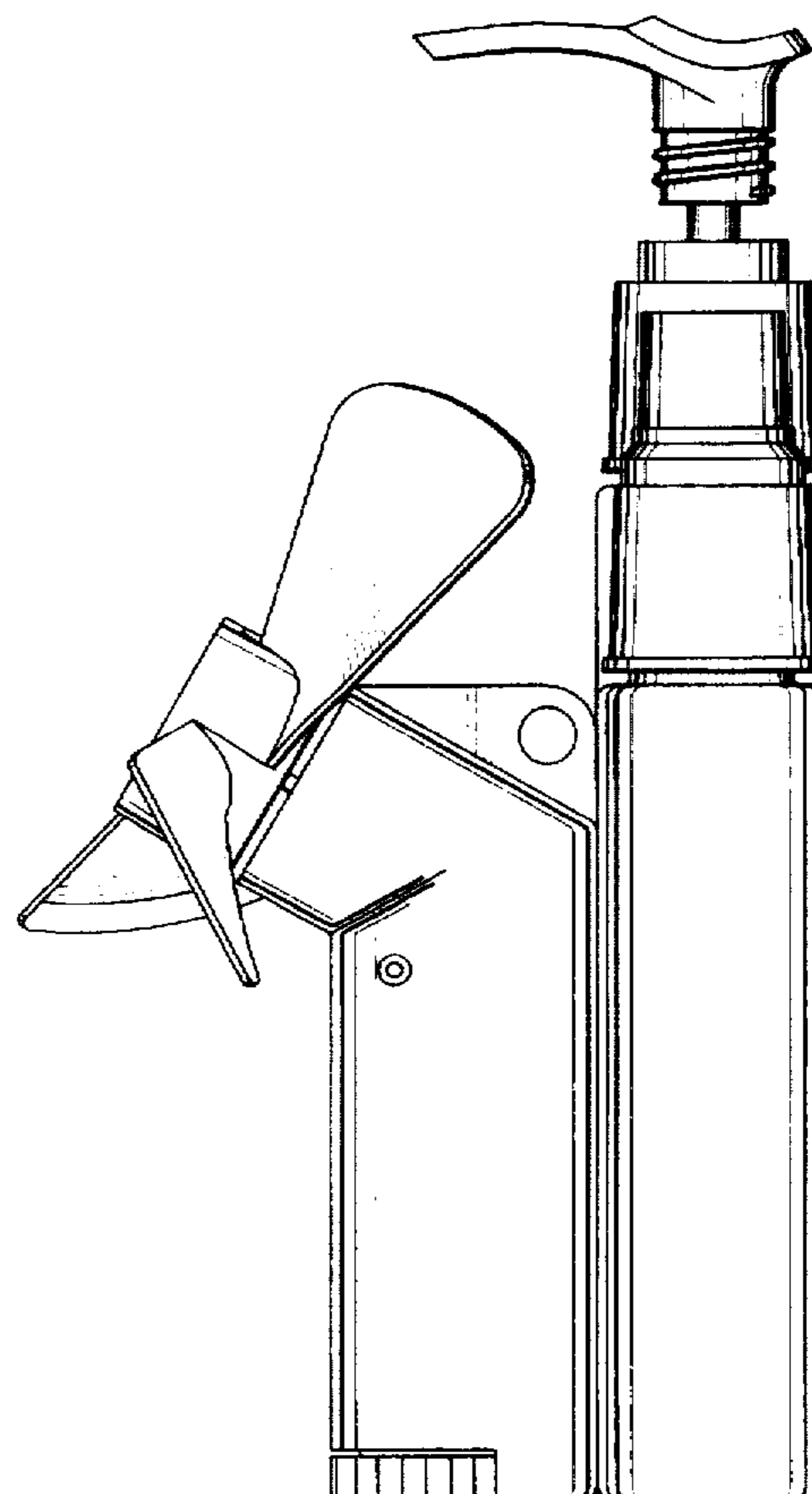
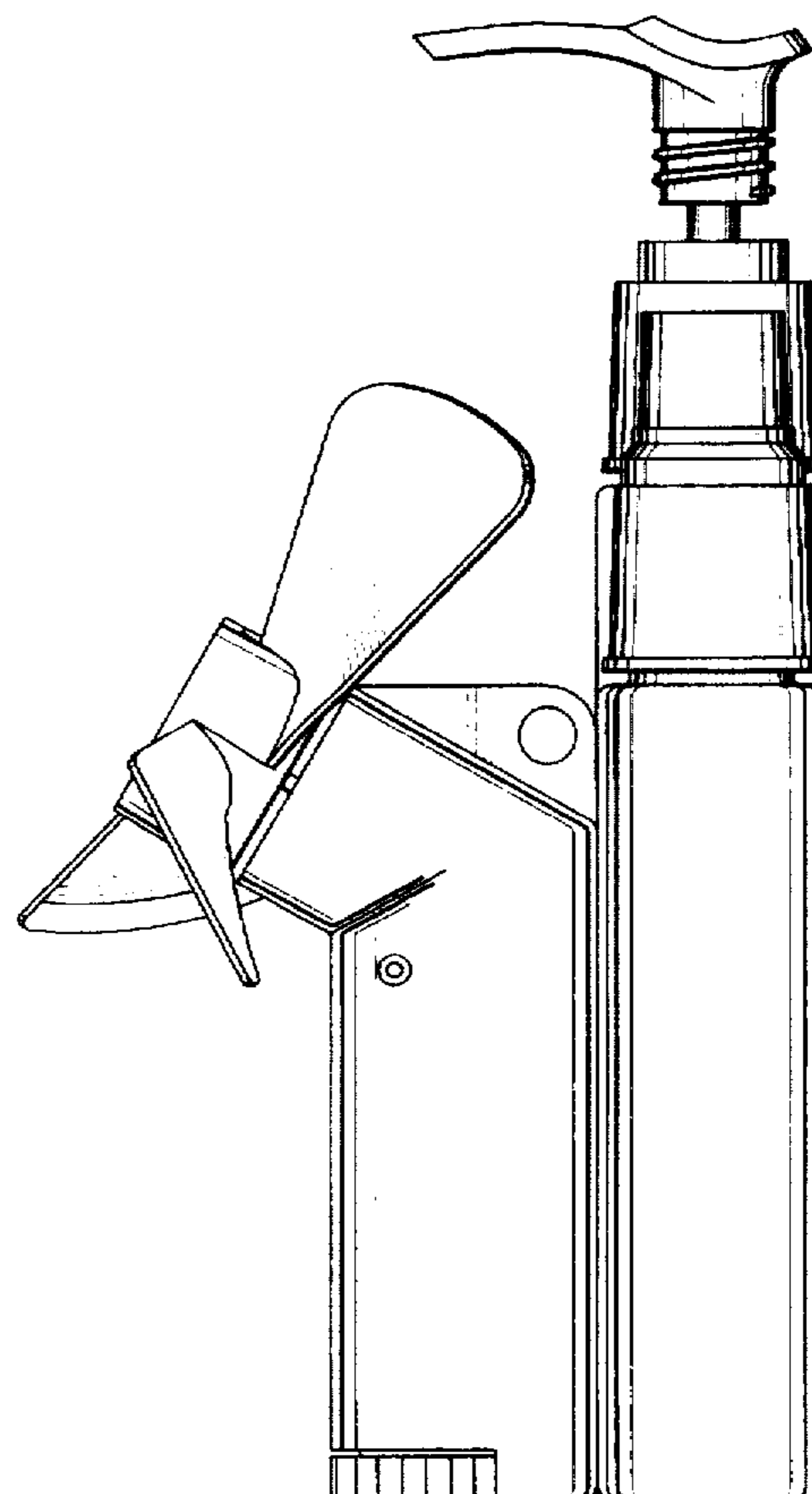
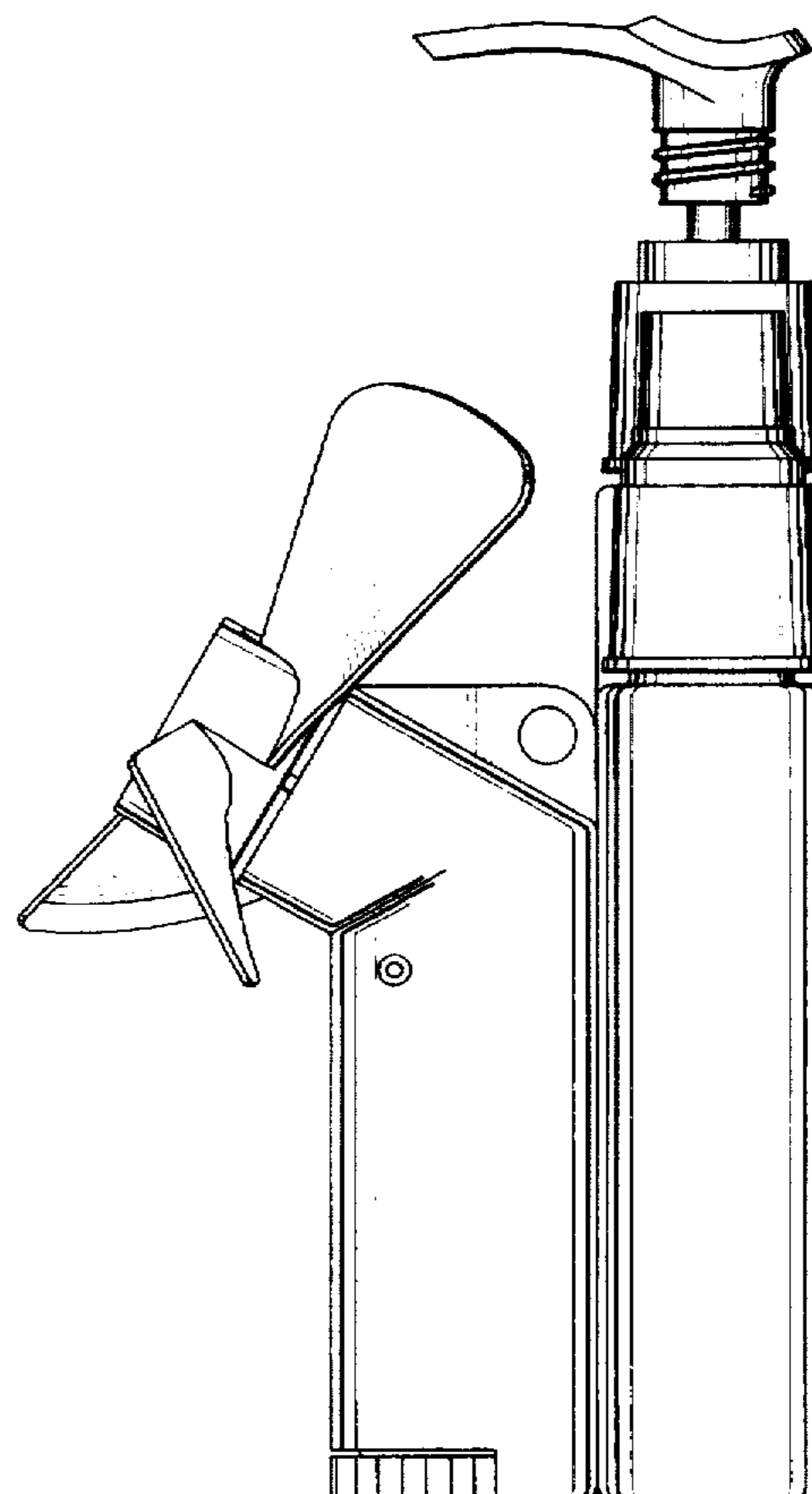
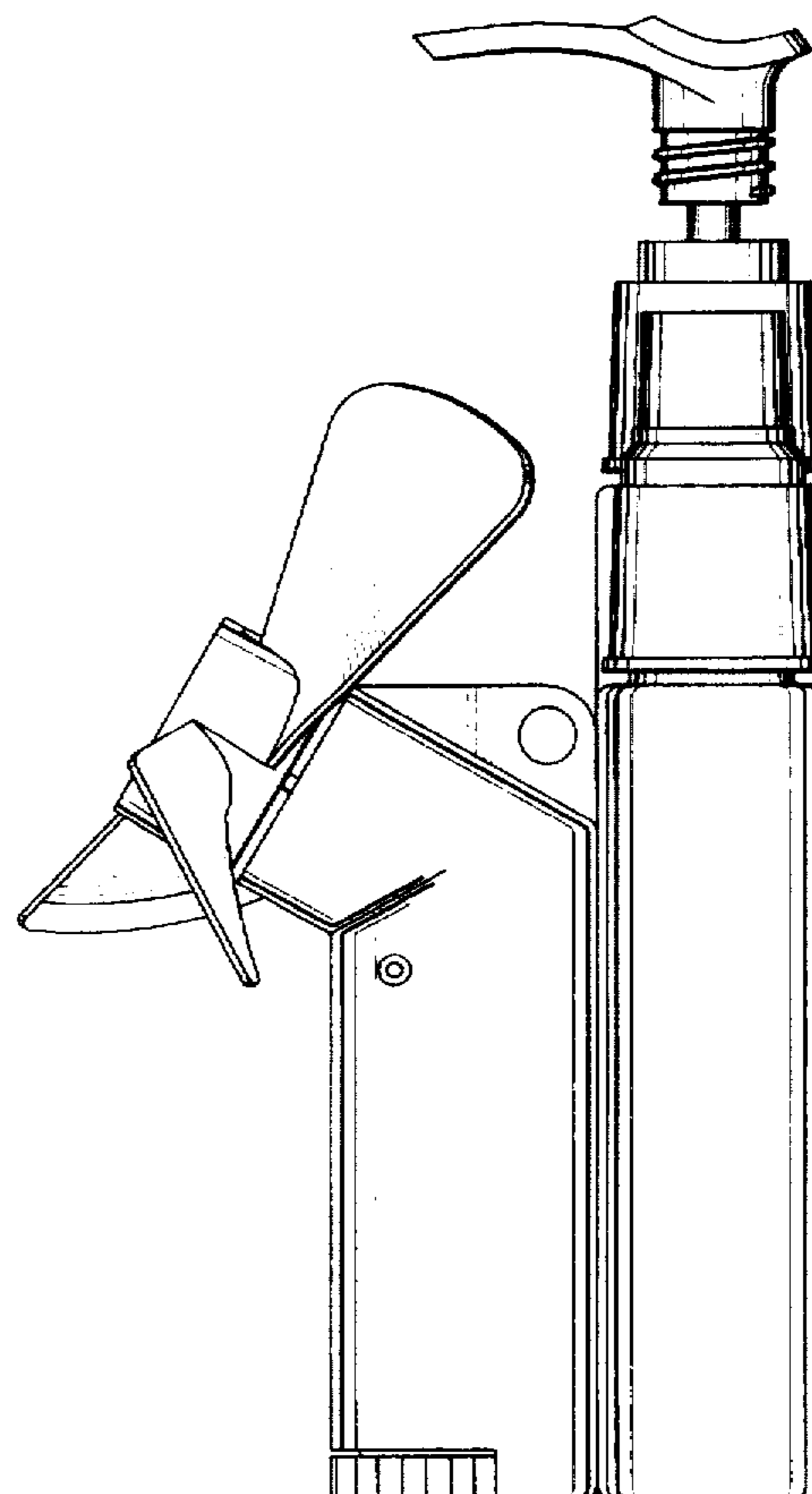
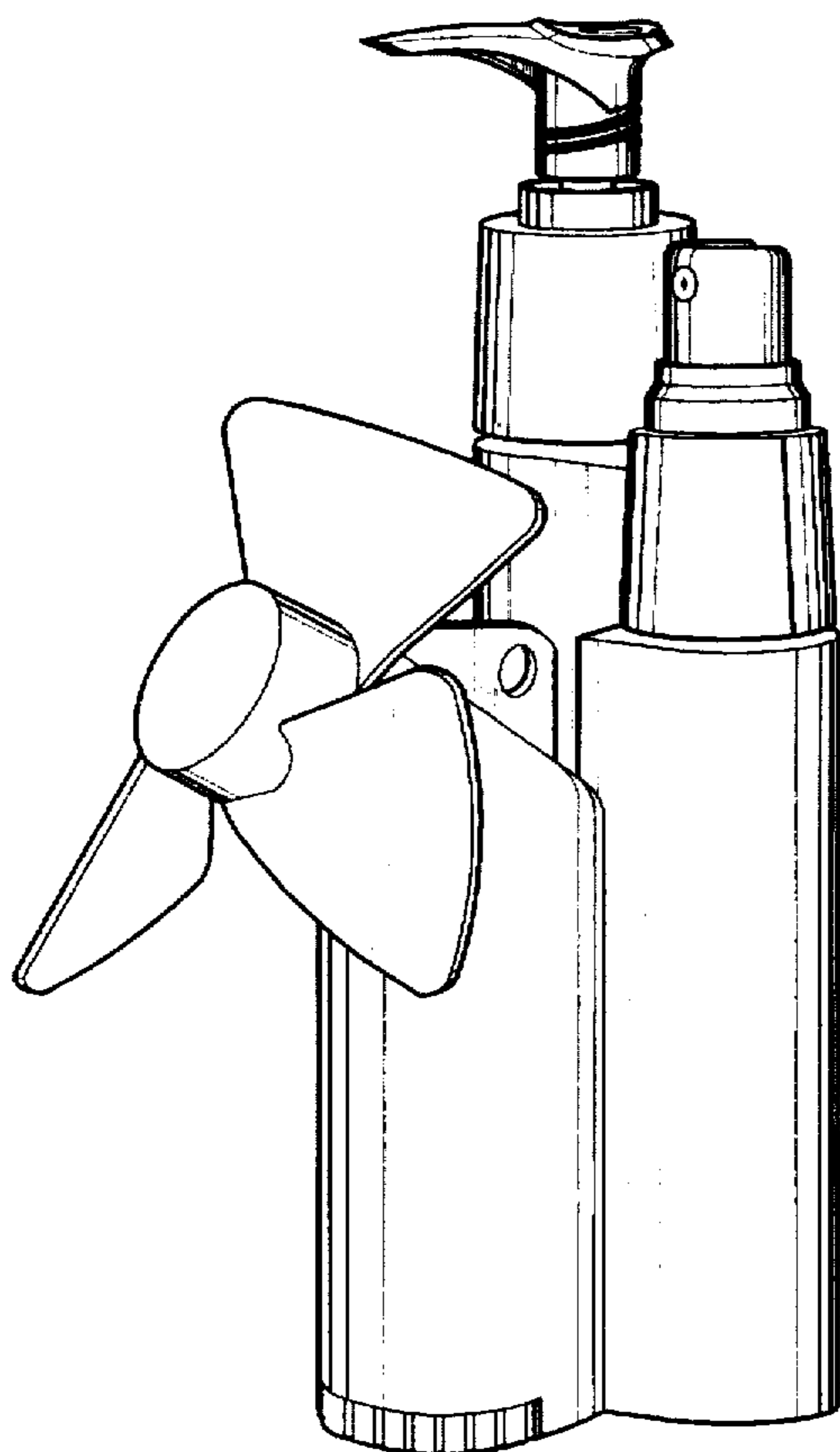
[57] CLAIM

The ornamental design for a combined portable fan and spray misting device, as shown.

DESCRIPTION

FIG. 1 is a perspective view of the combined portable fan and spray misting device showing our new design; FIG. 2 is a front elevational view thereof; FIG. 3 is a rear elevational view thereof; FIG. 4 is a top plan view thereof; FIG. 5 is a bottom plan view thereof; FIG. 6 is a left side view thereof; FIG. 7 is a right side view thereof; and, FIG. 8 is a perspective view of the portable fan portion of the claimed design shown separately for clarity of illustration.

1 Claim, 3 Drawing Sheets



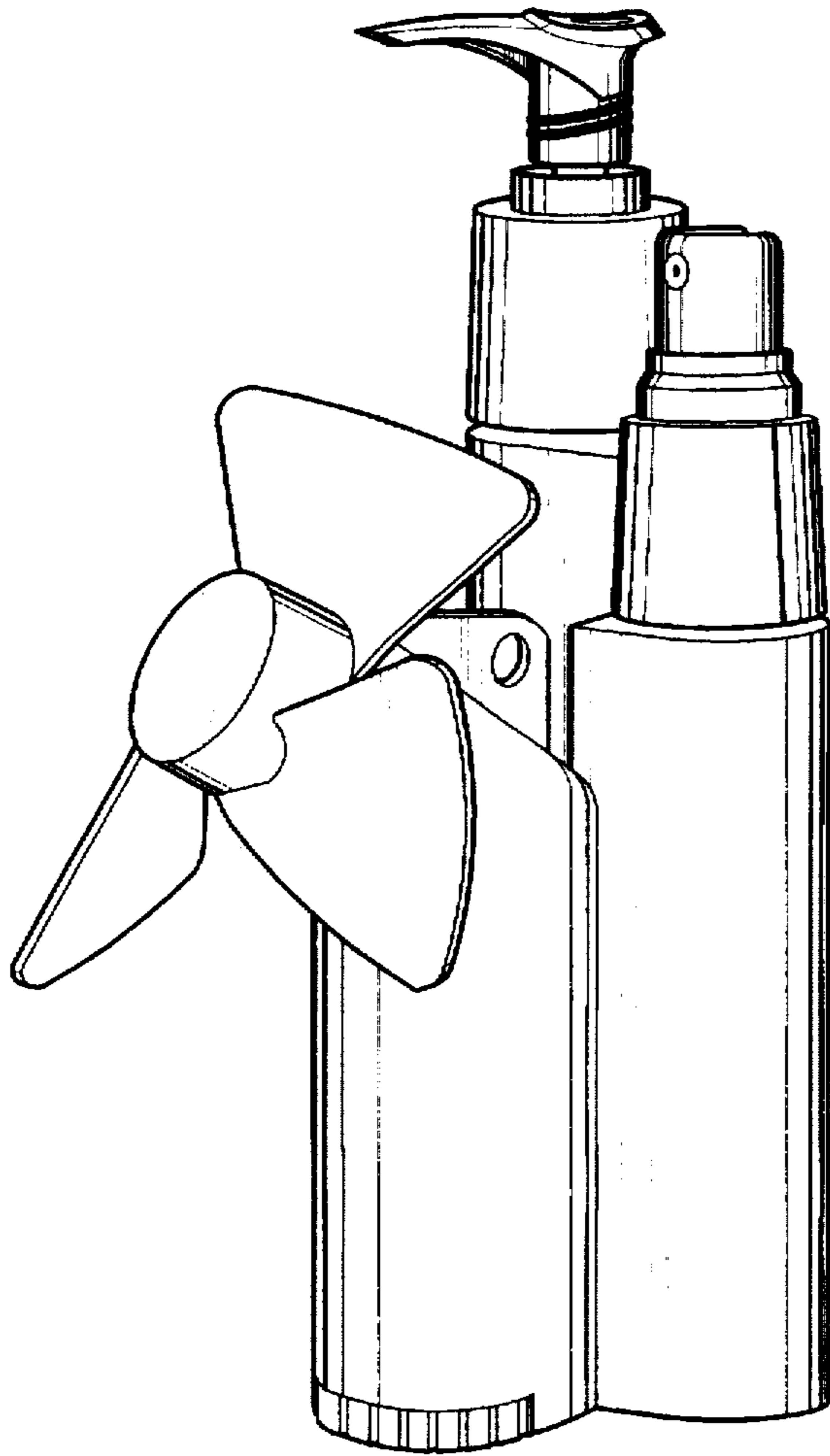


Fig-1

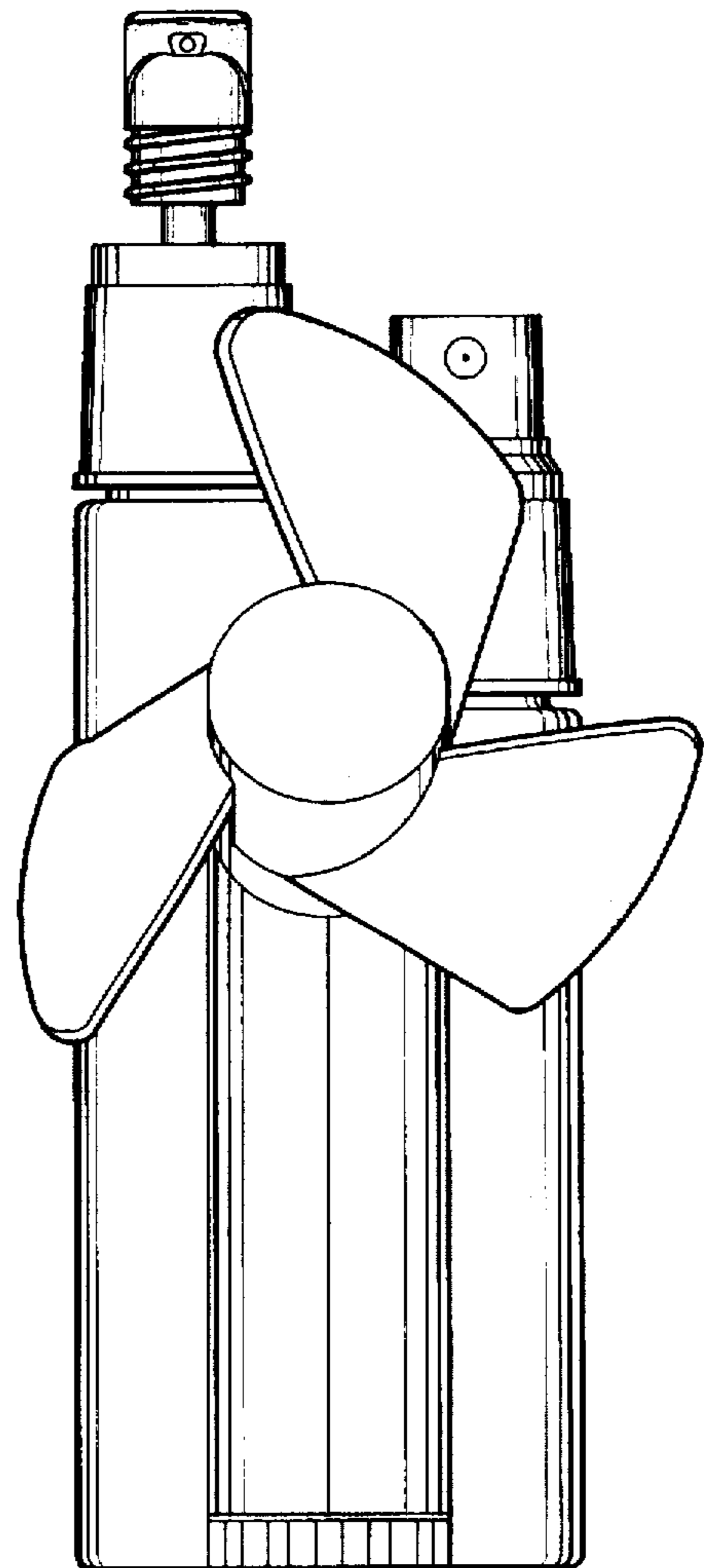


Fig-2

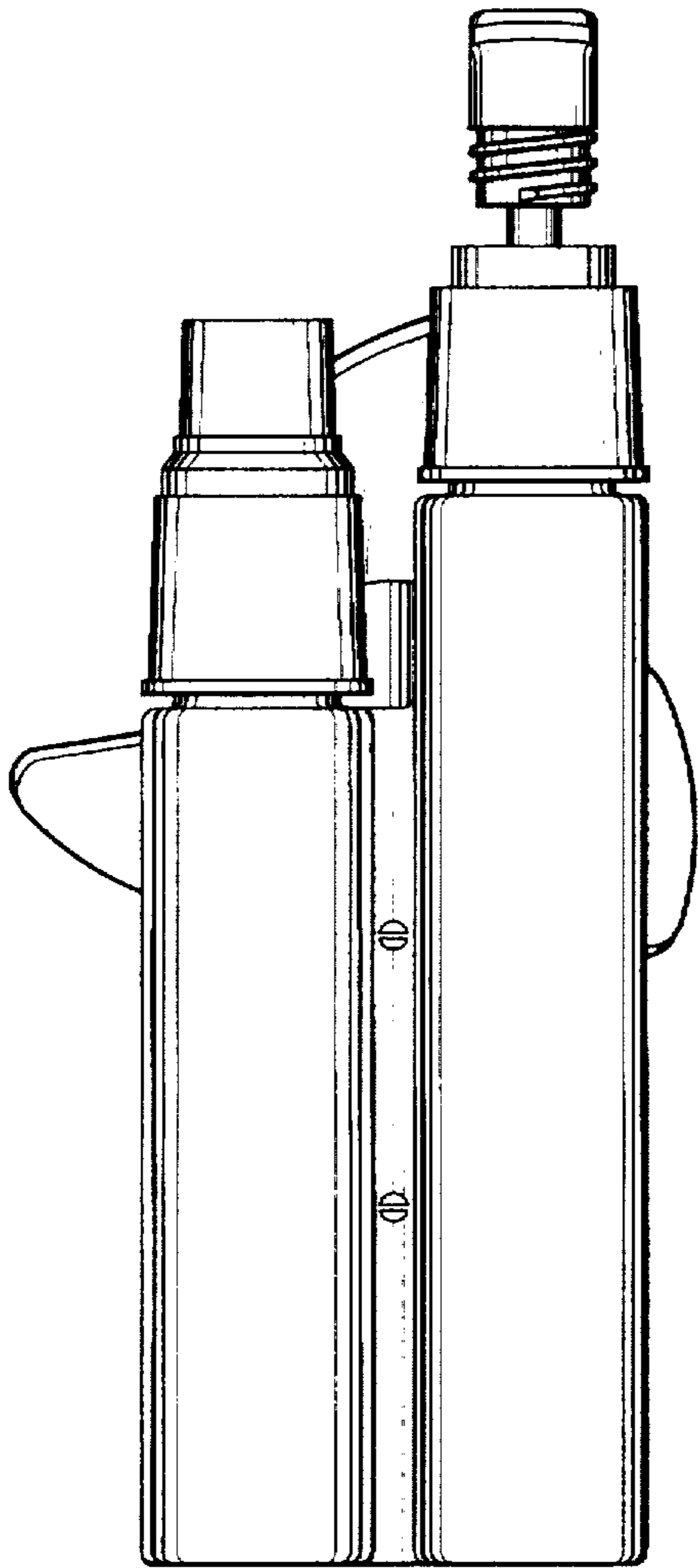


Fig-3

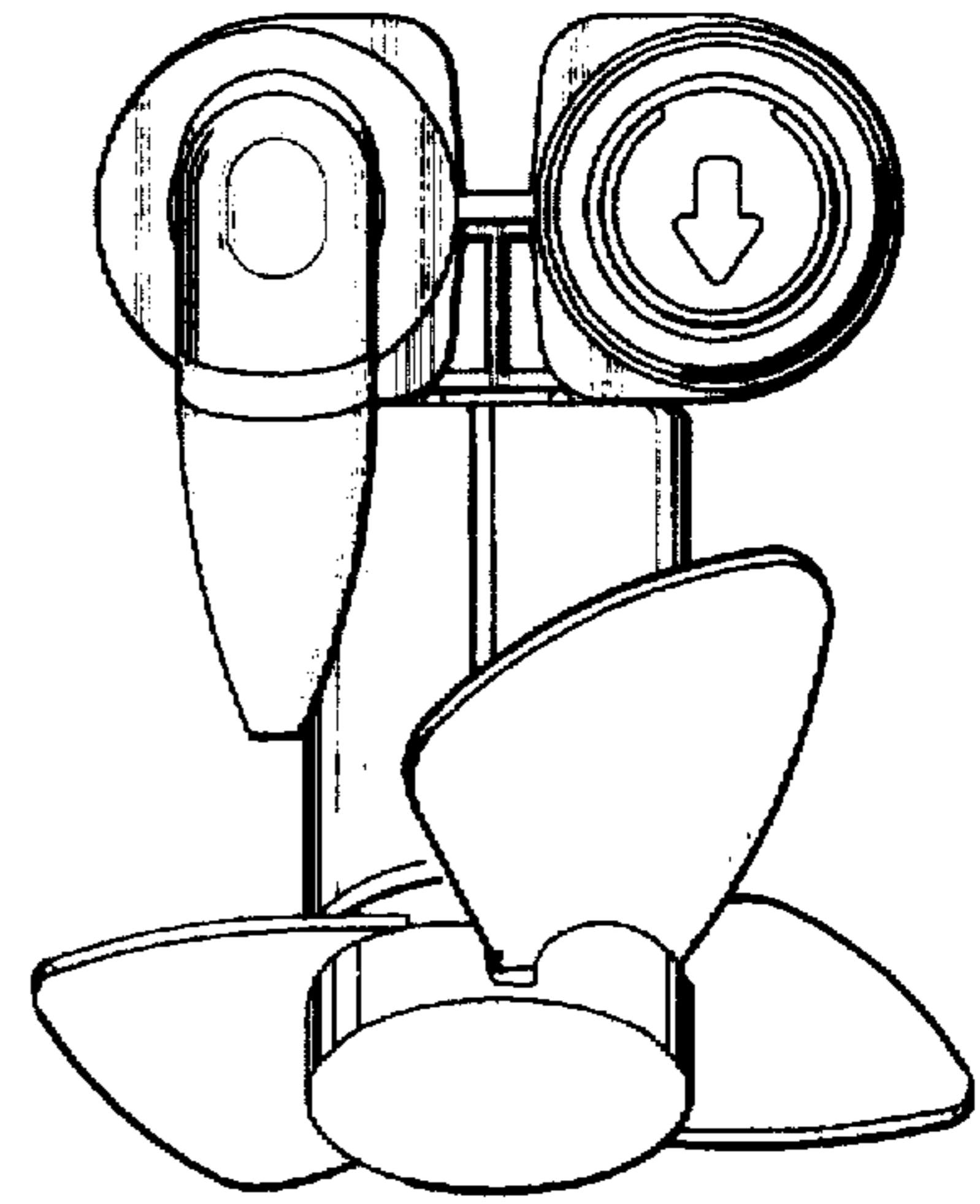


Fig-4

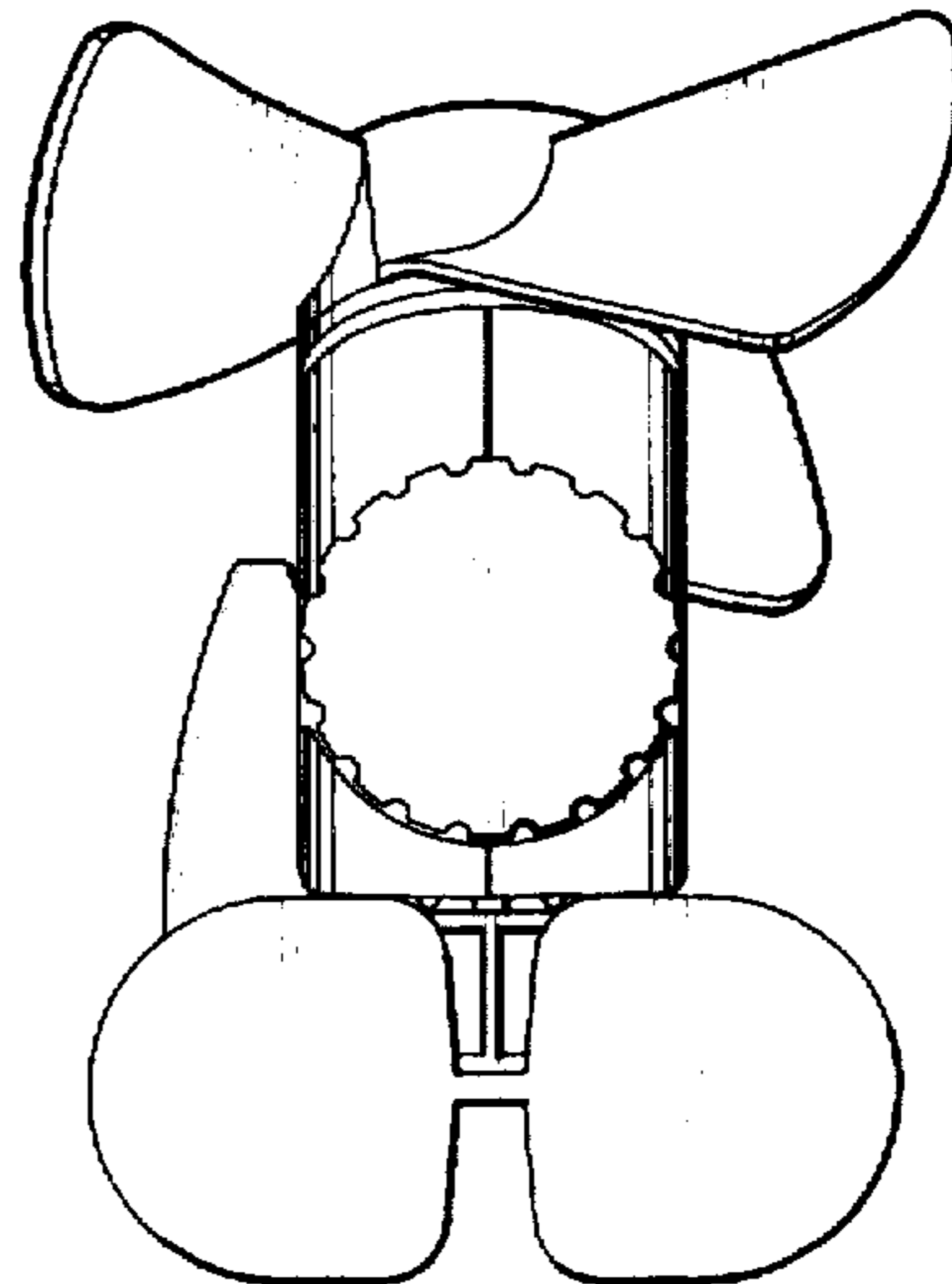


Fig-5

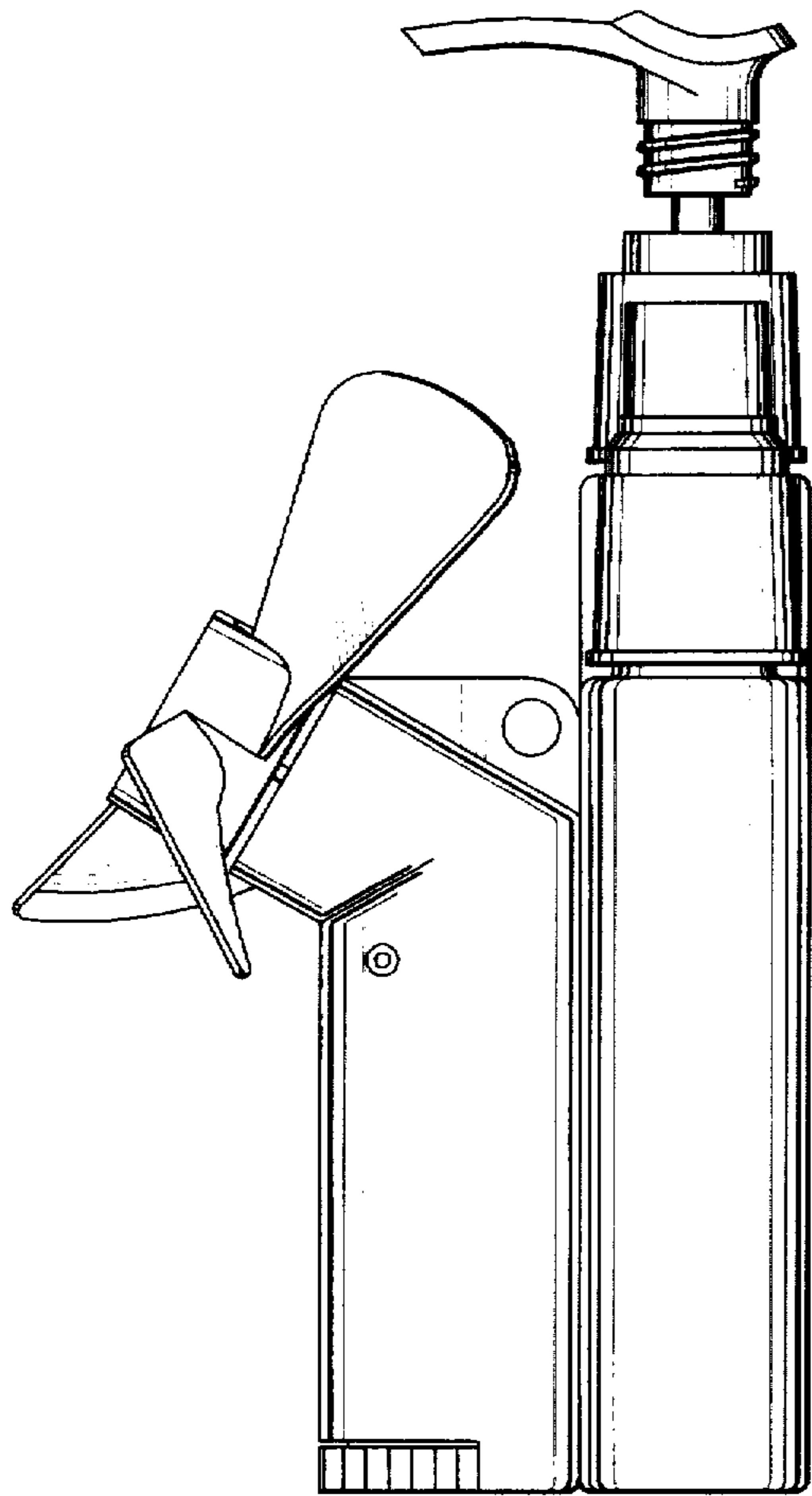


Fig-6

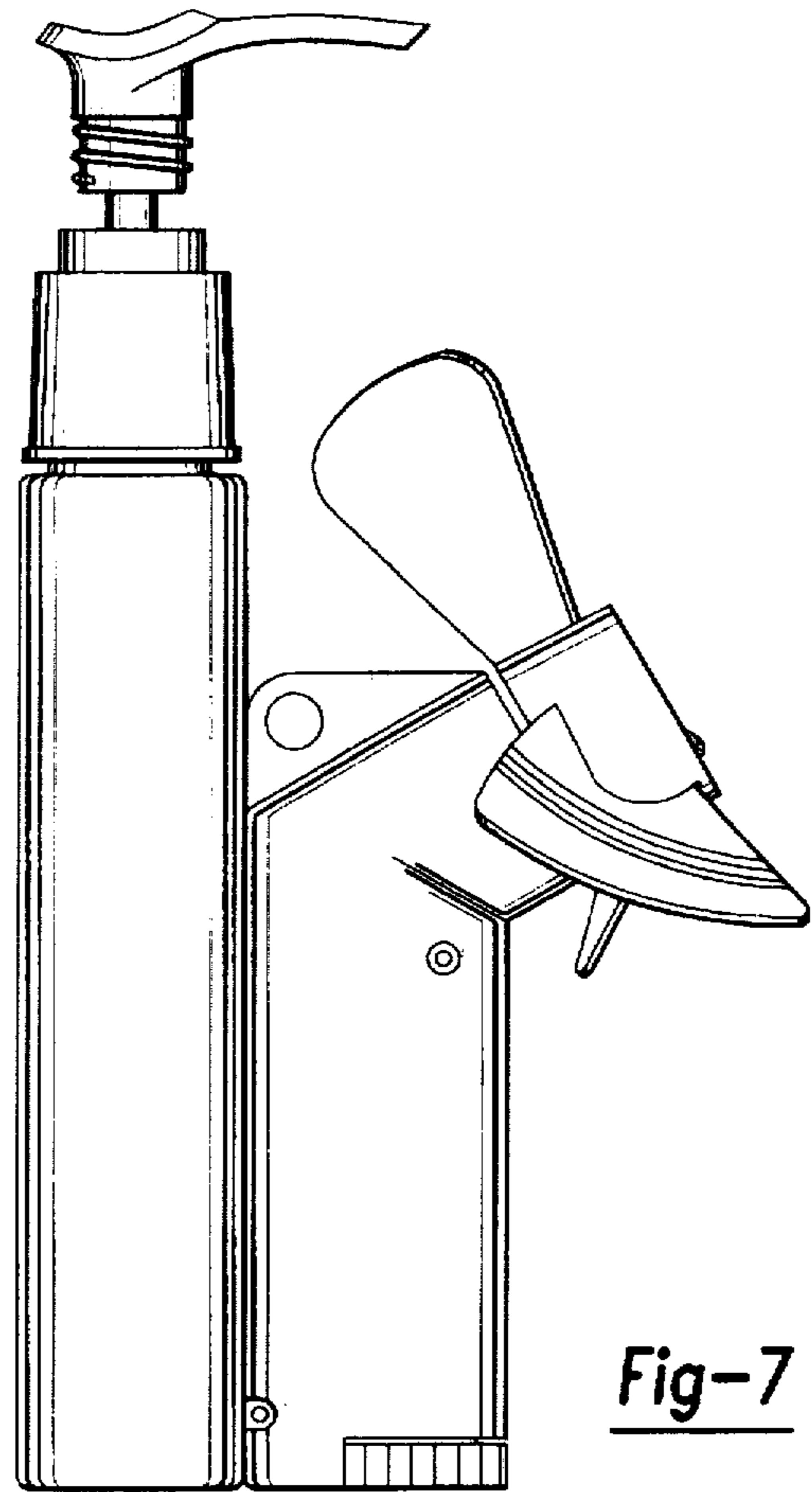


Fig-7

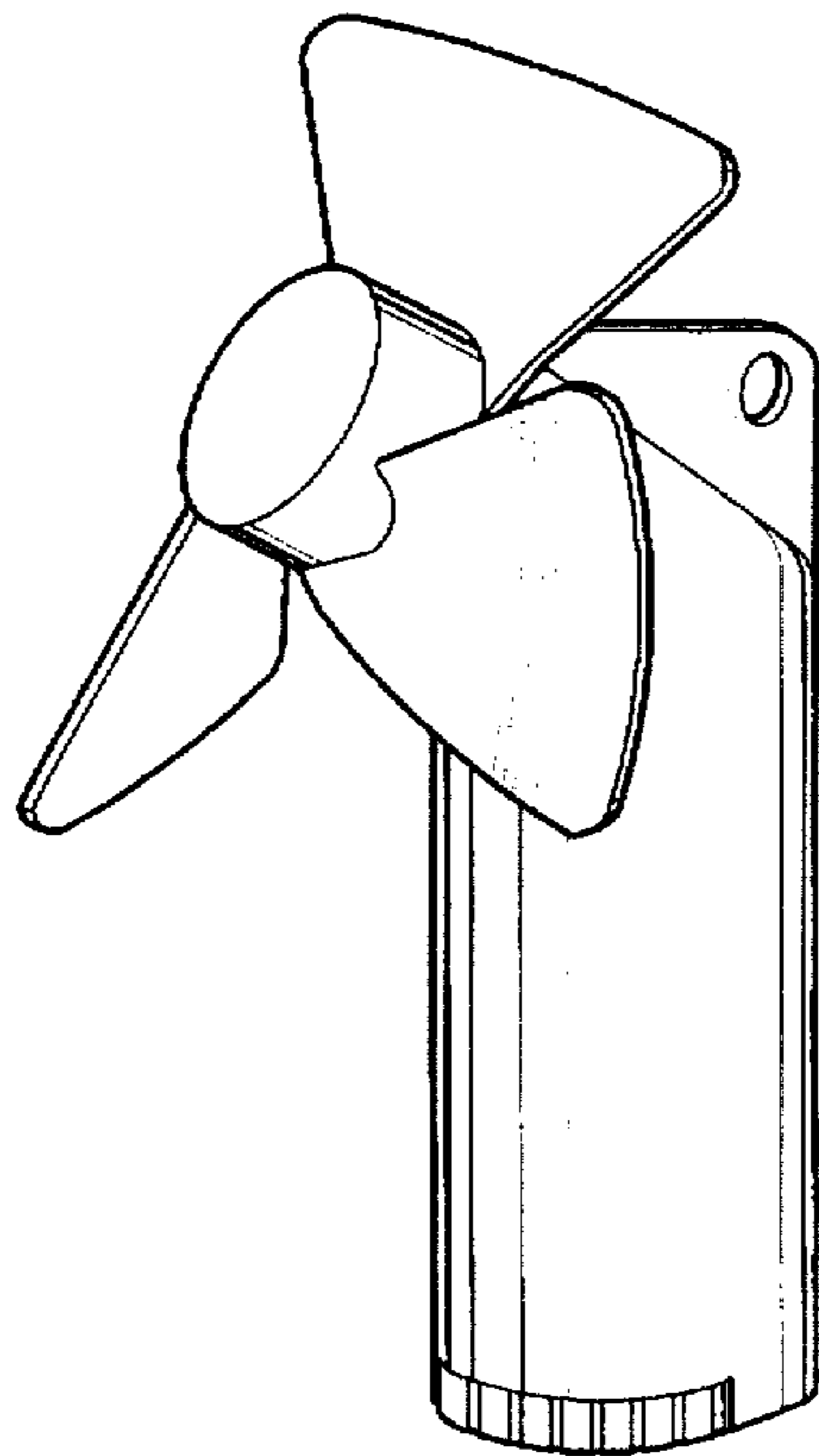


Fig-8