

US00D397426S

United States Patent [19]

Woods

[11] Patent Number: Des. 397,426

[45] Date of Patent: **Aug. 25, 1998

[54] FOLDING PORTABLE TOILET

[76] Inventor: **Frankie Woods**, 1502 Virginia St., South Bend, Ind. 46613

[**] Term: **14 Years**

[21] Appl. No.: **70,825**

[22] Filed: **May 16, 1997**

[51] LOC (6) Cl. **23-02**

[52] U.S. Cl. **D23/299**

[58] Field of Search D23/295, 298, D23/299, 300, 301; 4/483, 480, 478, 479, 587

[56] References Cited

U.S. PATENT DOCUMENTS

D. 257,879	1/1981	Hicks	D23/309
4,962,551	10/1990	Bly	4/480
5,023,962	6/1991	Stelies	4/480
5,123,126	6/1992	Vincent	4/480
5,197,152	3/1993	Rose et al.	4/480 X

Primary Examiner—Louis S. Zarfaz
Assistant Examiner—Eric Watterson

[57] CLAIM

The ornamental design for a folding portable toilet, as shown.

DESCRIPTION

FIG. 1 is a front elevational view of the folding portable toilet of the present invention;

FIG. 2 is a back elevational view of the folding portable toilet of FIG. 1;

FIG. 3 is a left side elevational view of the folding portable toilet of FIG. 1;

FIG. 4 is a right side elevational view of the folding portable toilet of FIG. 1;

FIG. 5 is a top elevational view of the folding portable toilet of FIG. 1; and,

FIG. 6 is a bottom elevational view of the folding portable toilet of FIG. 1.

1 Claim, 3 Drawing Sheets

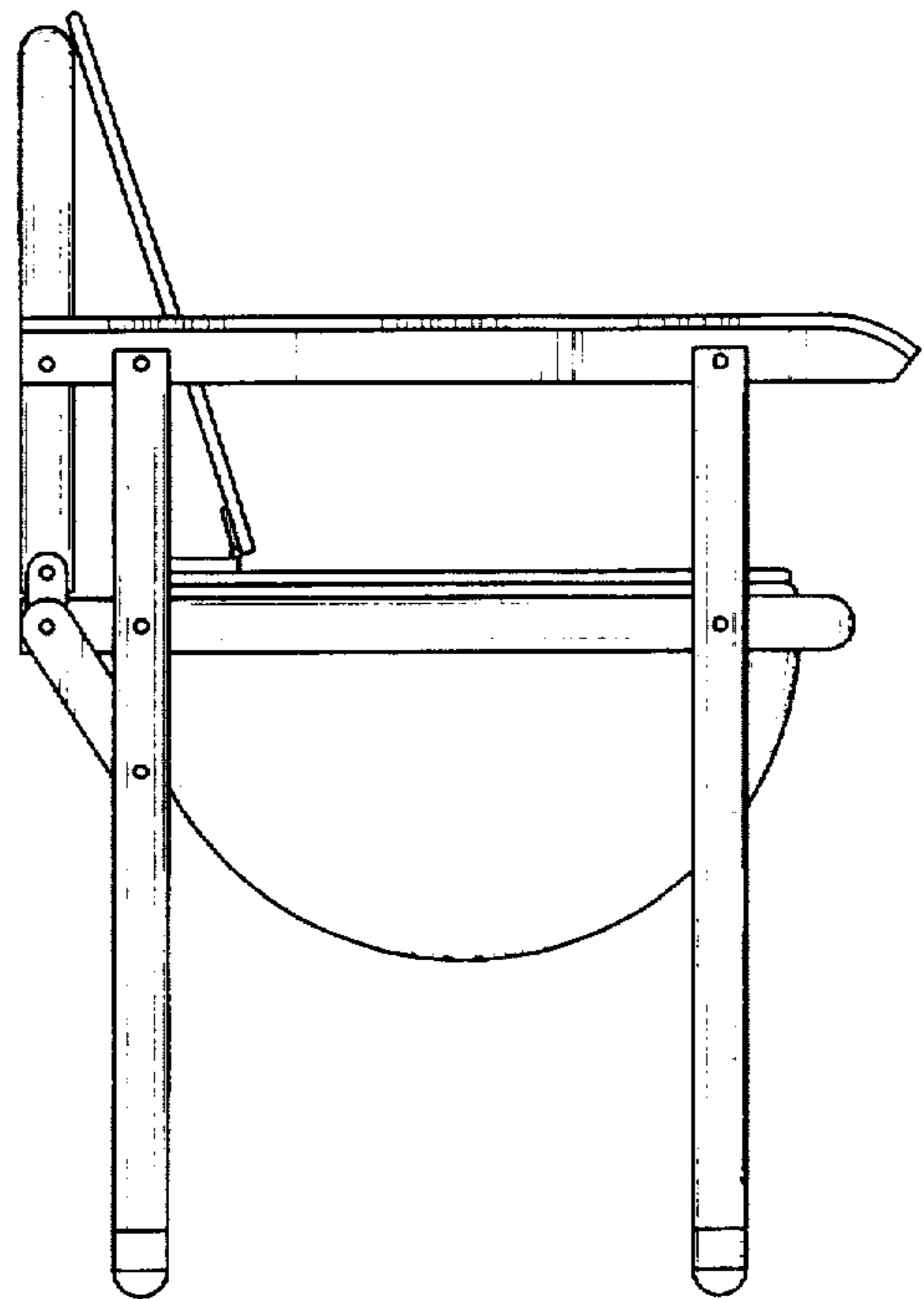
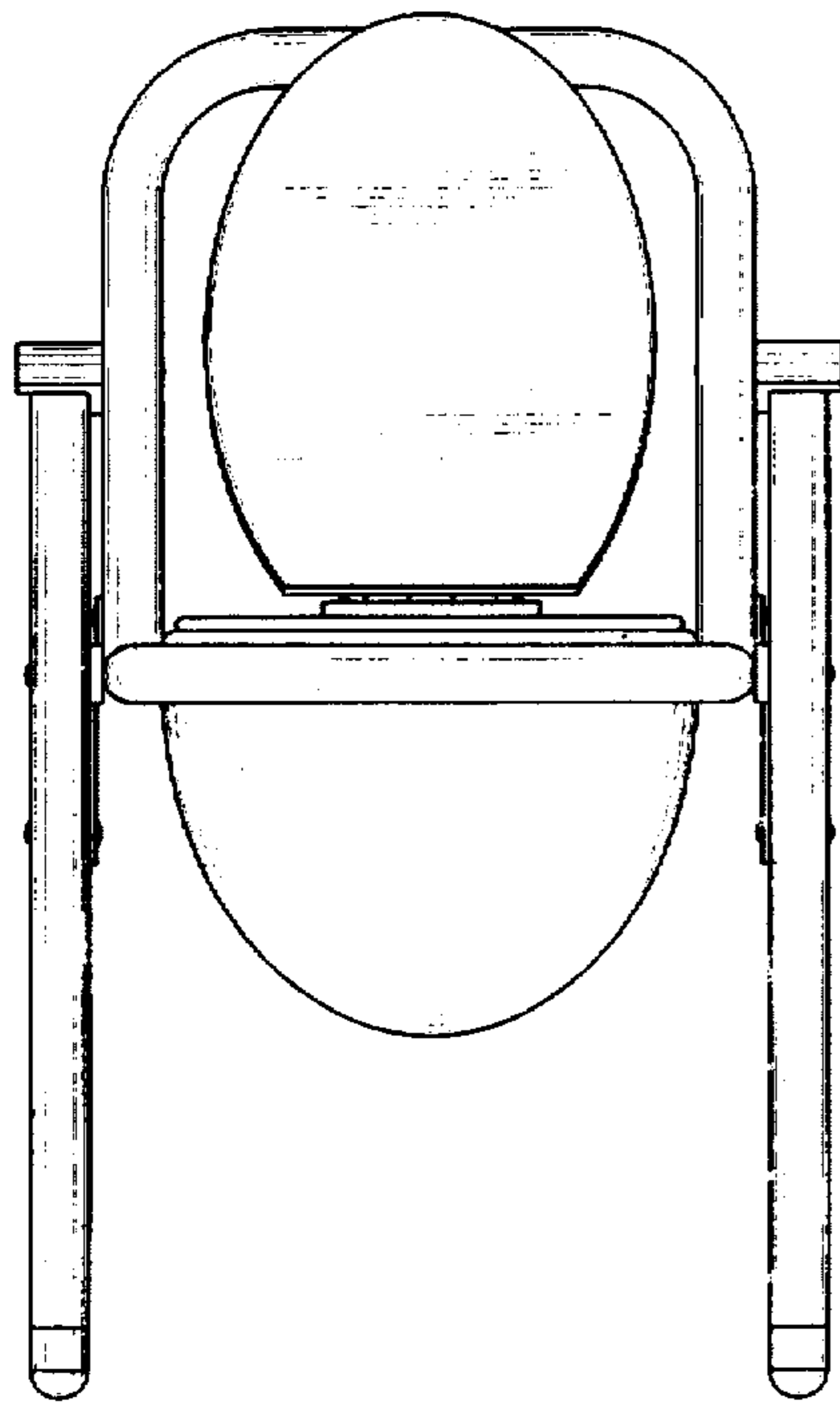


FIG. 1

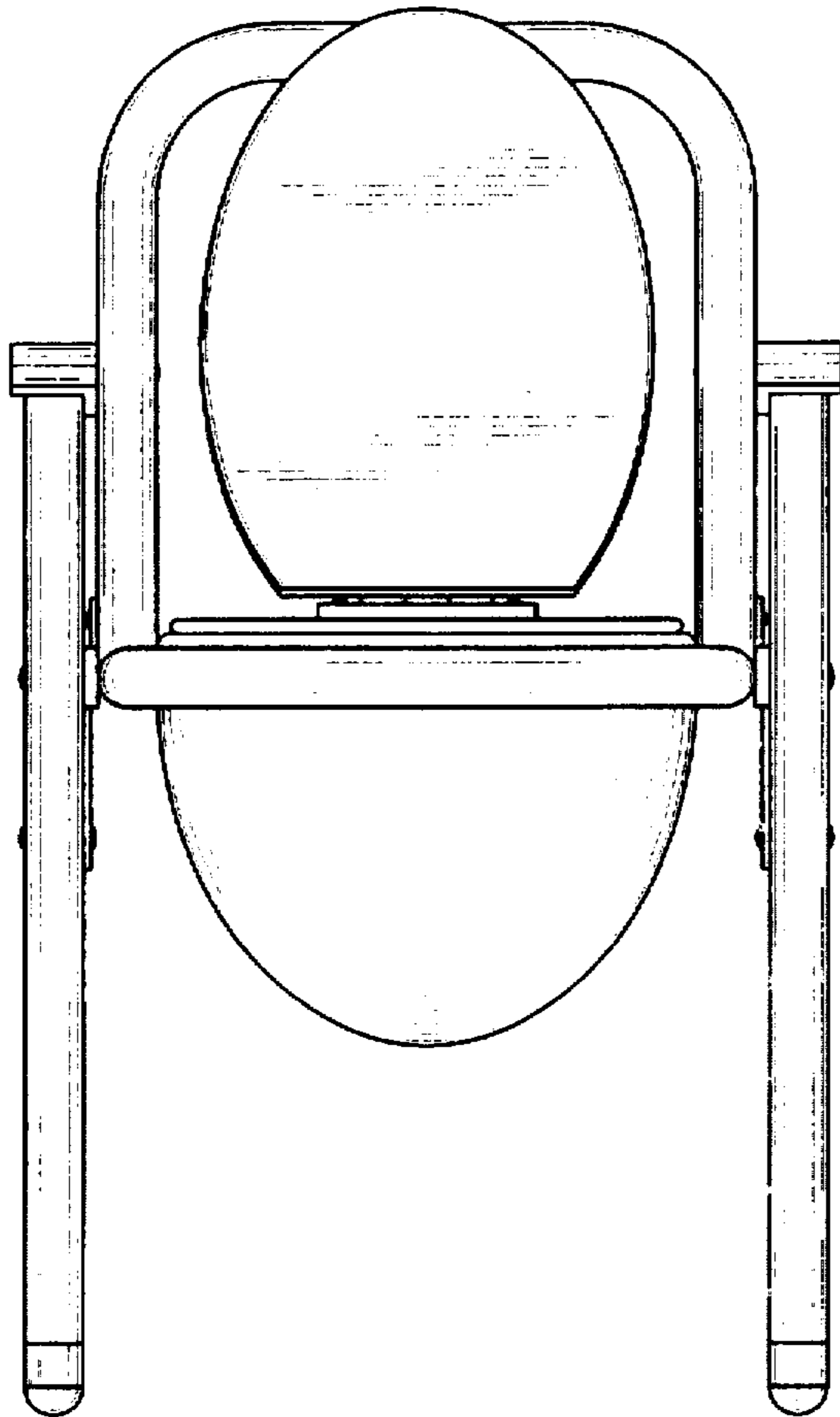


FIG. 2

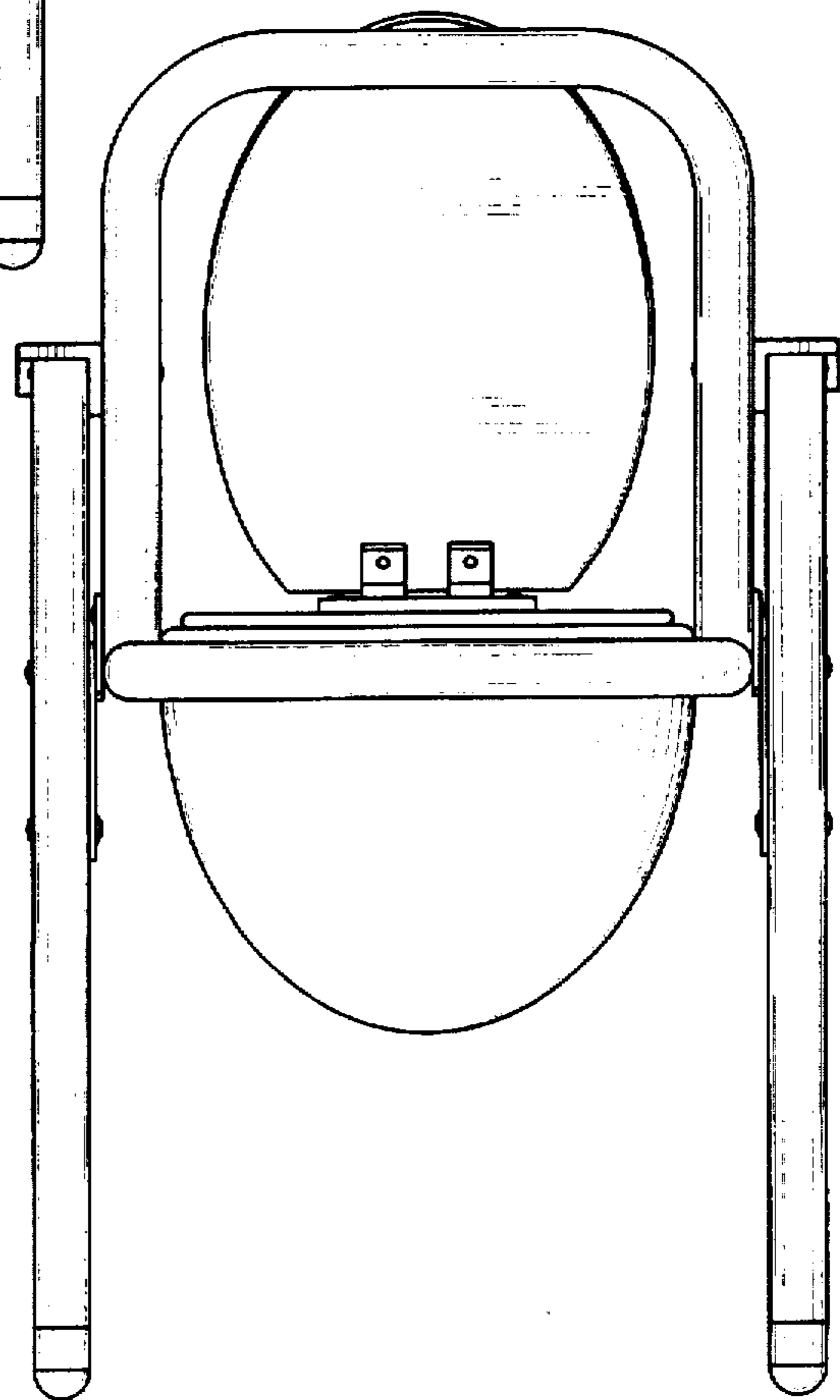


FIG. 3

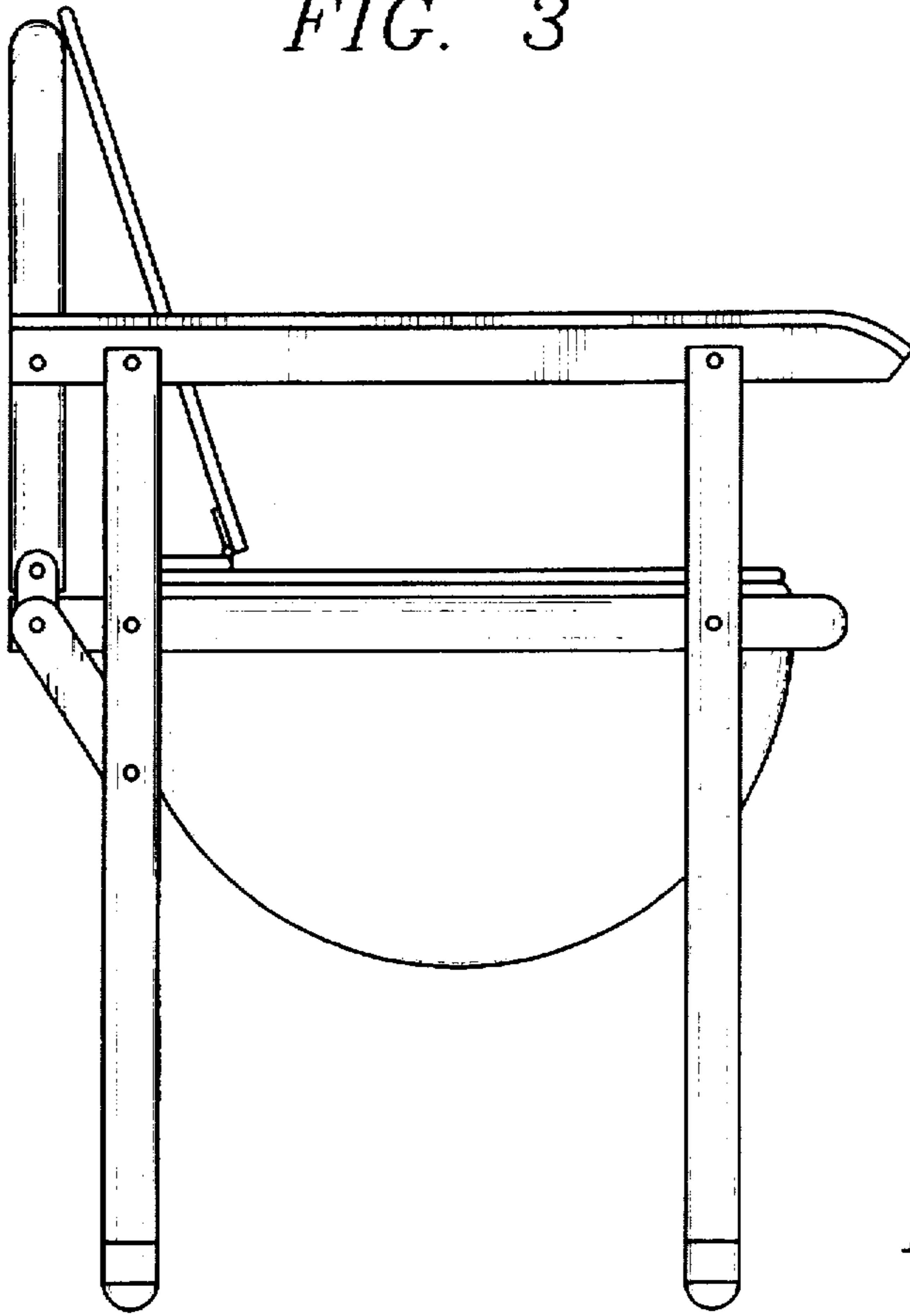


FIG. 4

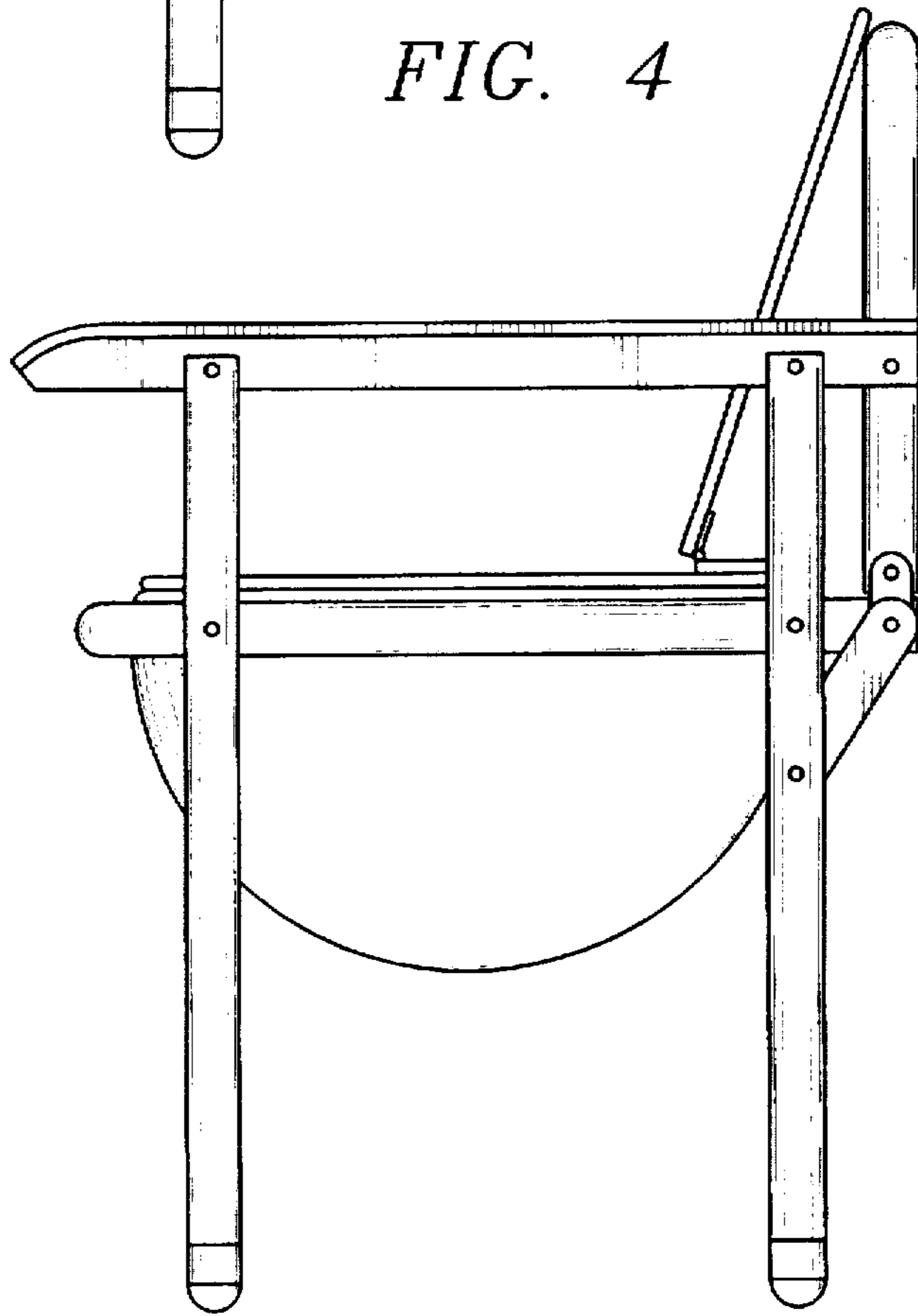


FIG. 5

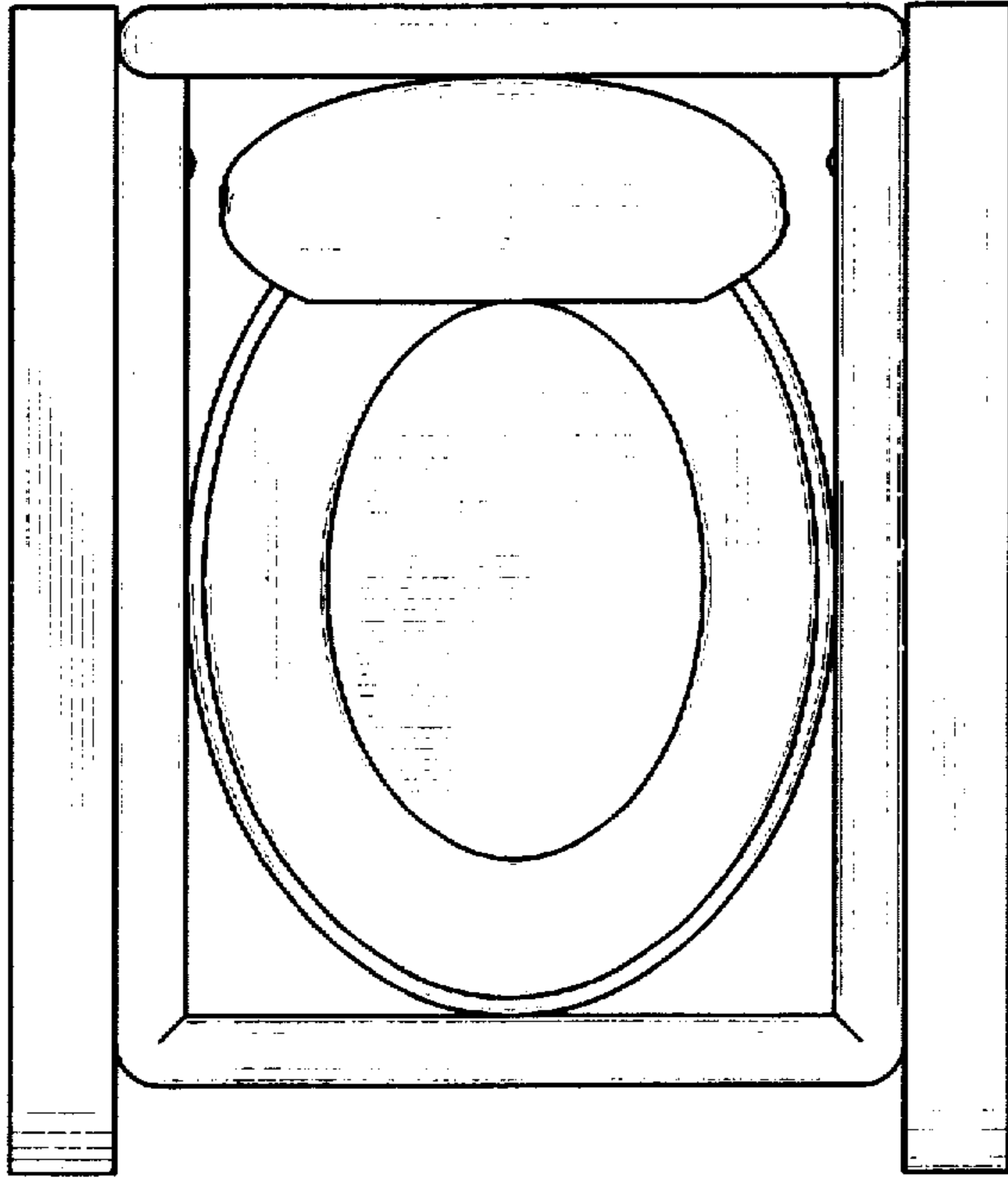


FIG. 6

