



US00D397424S

United States Patent [19]

Ficken, Jr. et al.

[11] Patent Number: Des. 397,424

[45] Date of Patent: **Aug. 25, 1998

[54] FAUCET ASSEMBLY

[75] Inventors: William H. Ficken, Jr., Grayslake, Ill.;
Michael W. Regelbrugge, Reynolds,
Ind.; Roger H. Ramsey, Akron, Ohio;
Cherry Bochmann, Richfield, Ohio;
William E. Brazis, Medina, Ohio

[73] Assignee: Gerber Plumbing Fixtures Corp.,
Chicago, Ill.

[**] Term: 14 Years

[21] Appl. No.: 69,450

[22] Filed: Apr. 1, 1997

[51] LOC (6) Cl. 23-01

[52] U.S. Cl. D23/241

[58] Field of Search D23/238-243,
D23/250-257; 4/675-678; 137/801

[56] References Cited

U.S. PATENT DOCUMENTS

D. 284,499 7/1986 Yost D23/241

D. 347,466 5/1994 Kolada et al. D23/241
D. 361,827 8/1995 Dougherty et al. D23/241
D. 381,397 7/1997 Steltes D23/238
D. 384,397 9/1997 Dougherty et al. D23/241

Primary Examiner—Louis S. Zarfes
Assistant Examiner—Eric Watterson
Attorney, Agent, or Firm—McDermott, Will & Emery

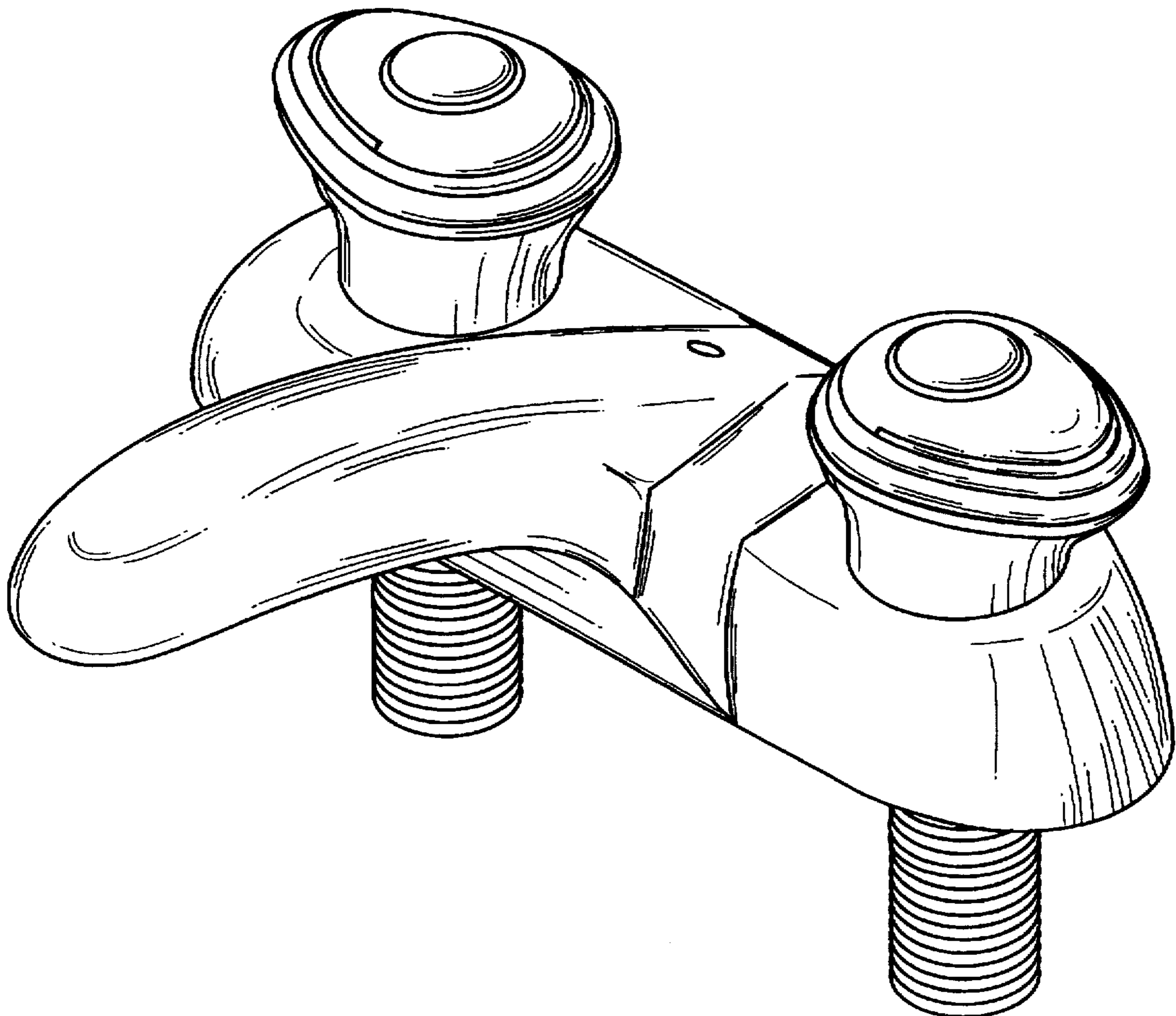
[57] CLAIM

The ornamental design for a faucet assembly, as shown.

DESCRIPTION

FIG. 1 is a perspective view showing our new design;
FIG. 2 is a front view thereof;
FIG. 3 is a rear view thereof;
FIG. 4 is a left side view thereof;
FIG. 5 is a right side view thereof;
FIG. 6 is a top plan view thereof; and,
FIG. 7 is a bottom plan view thereof.

1 Claim, 4 Drawing Sheets



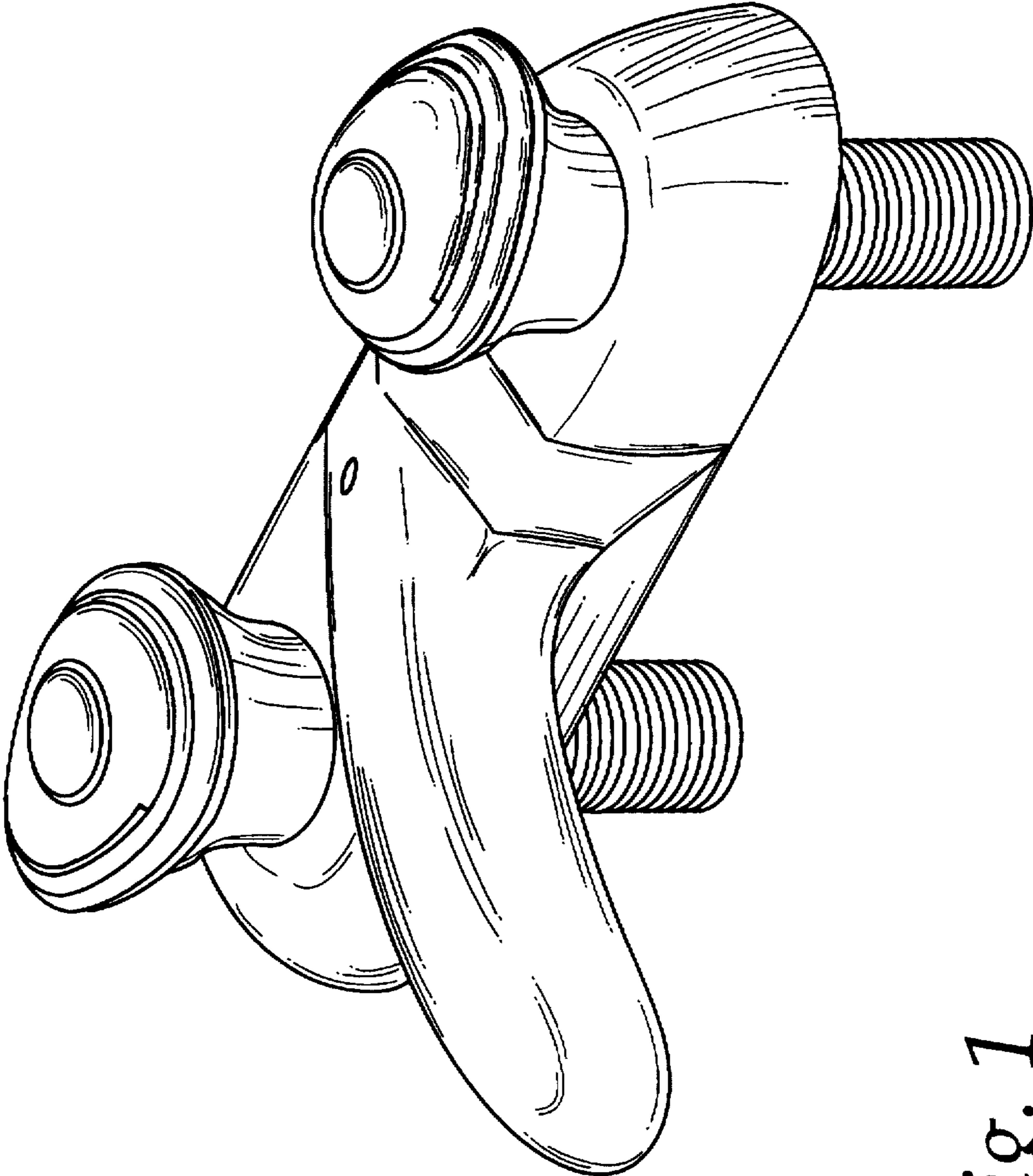


Fig. 1

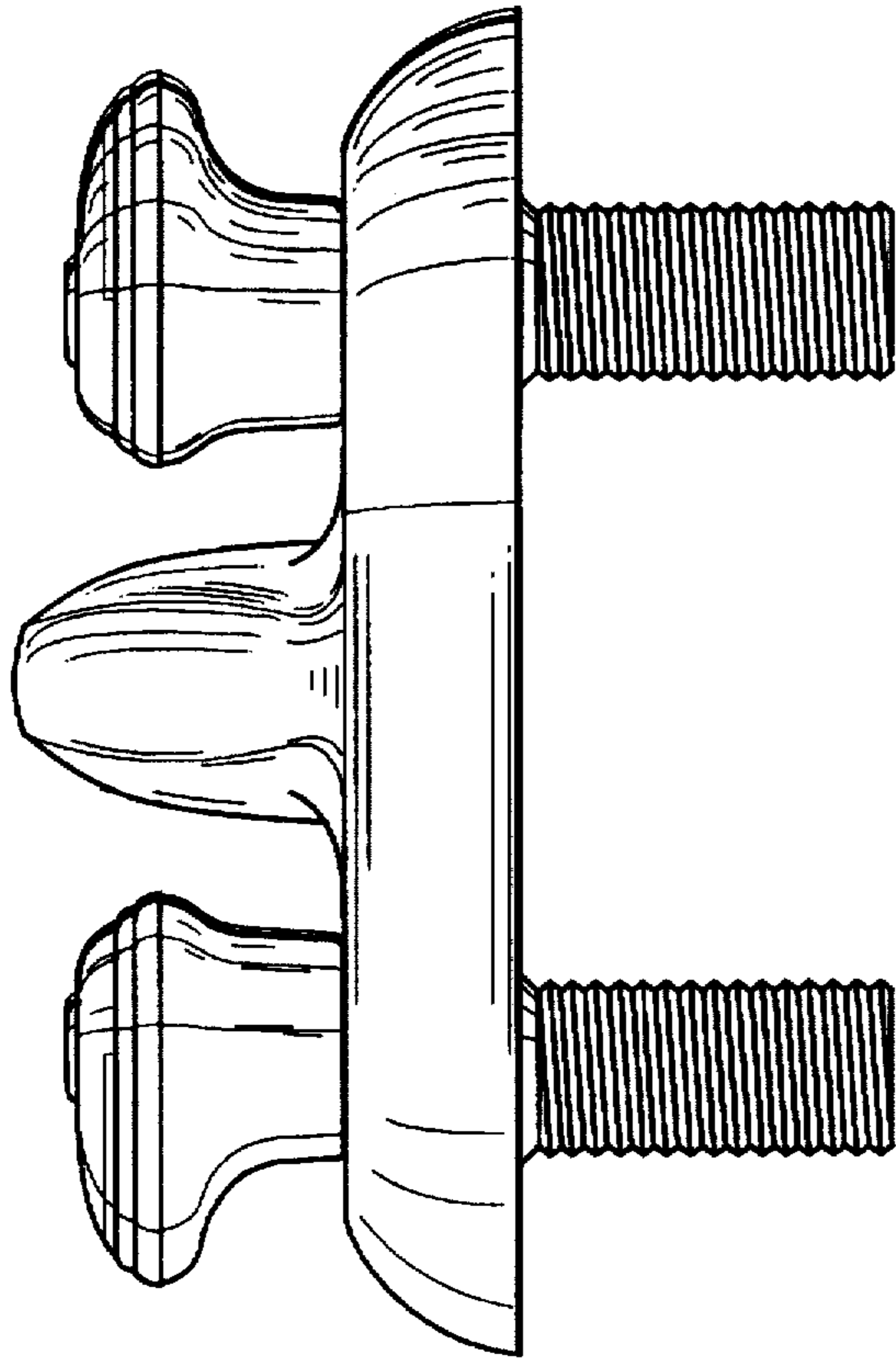


Fig. 3

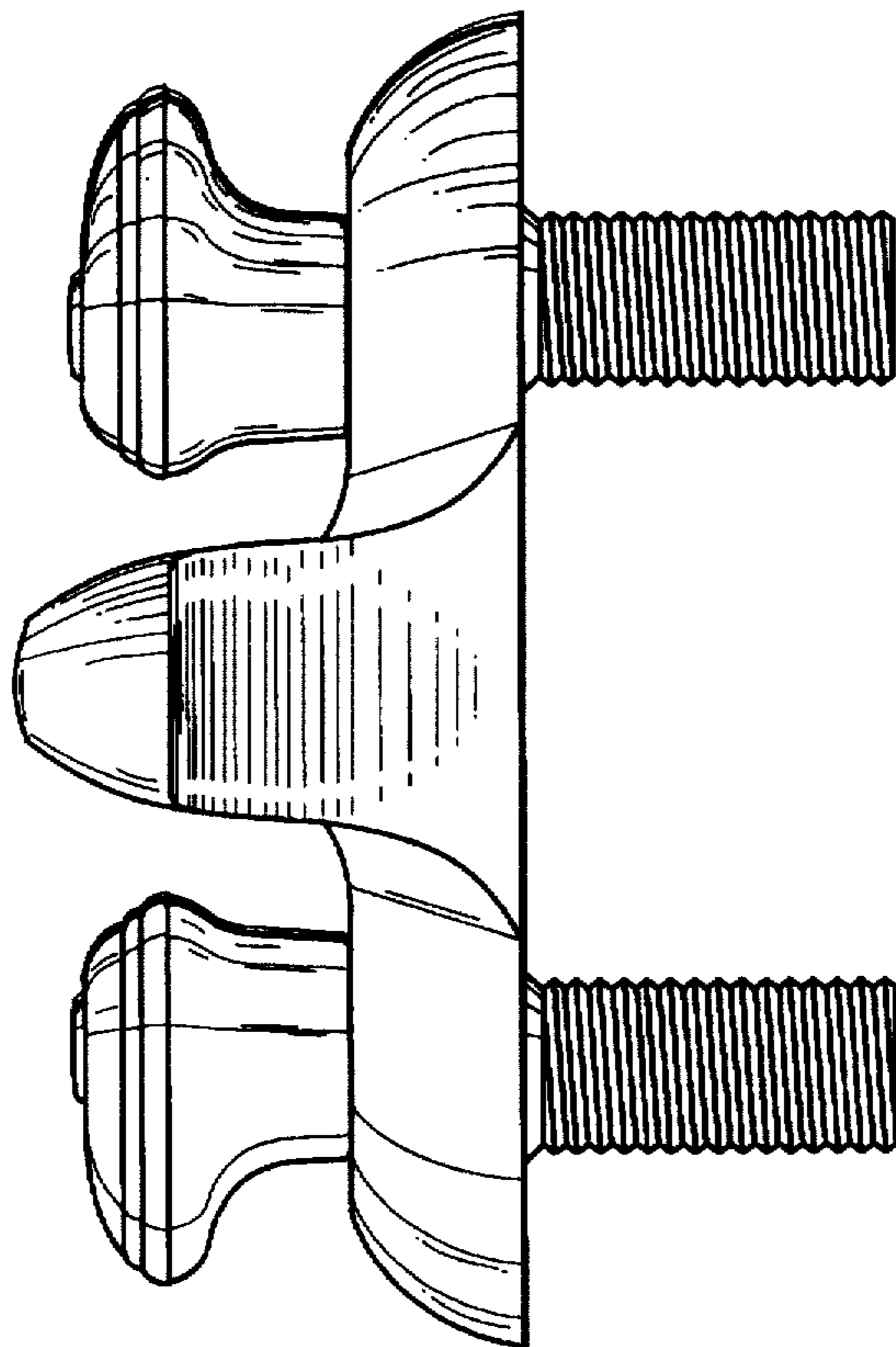


Fig. 2

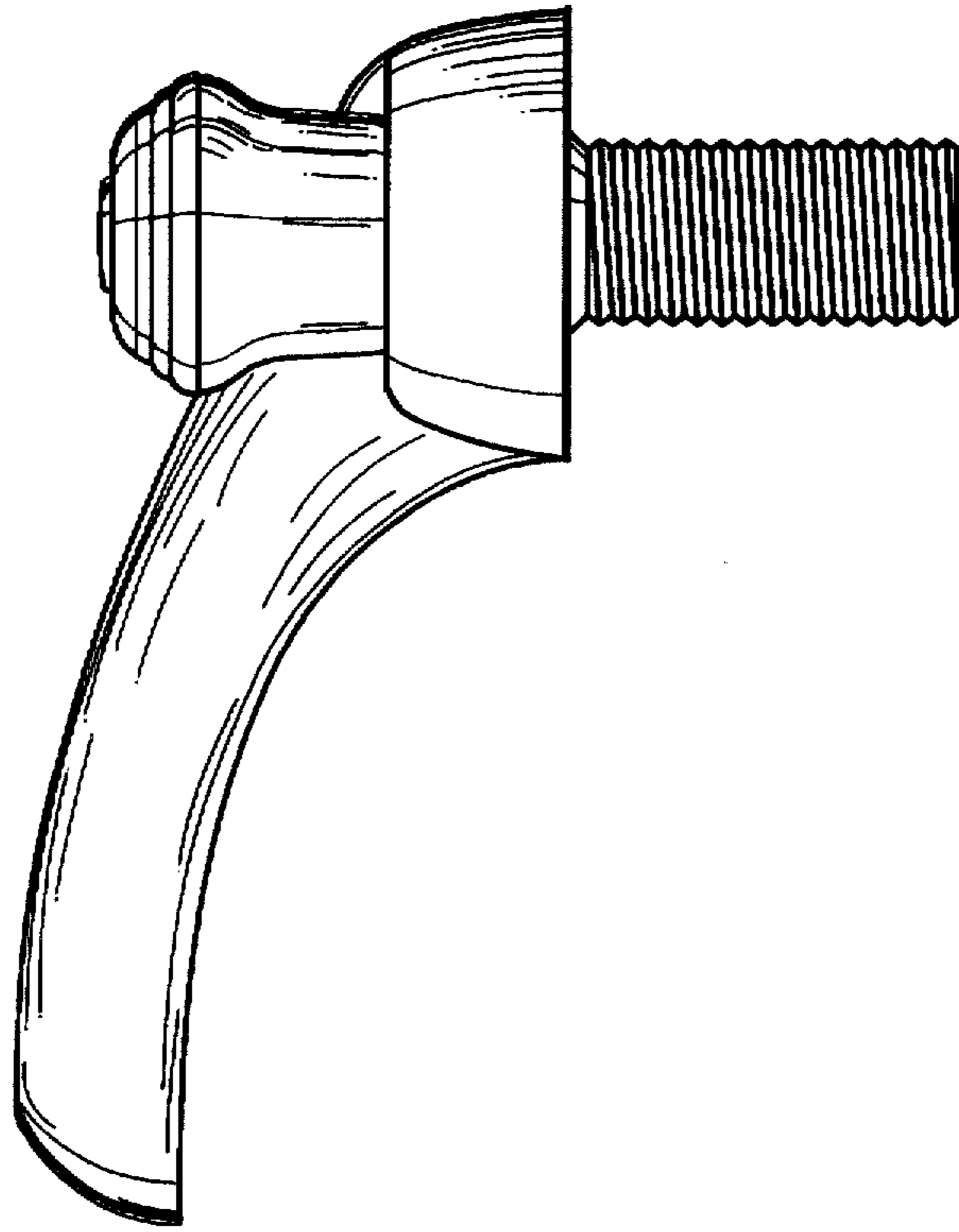


Fig. 5

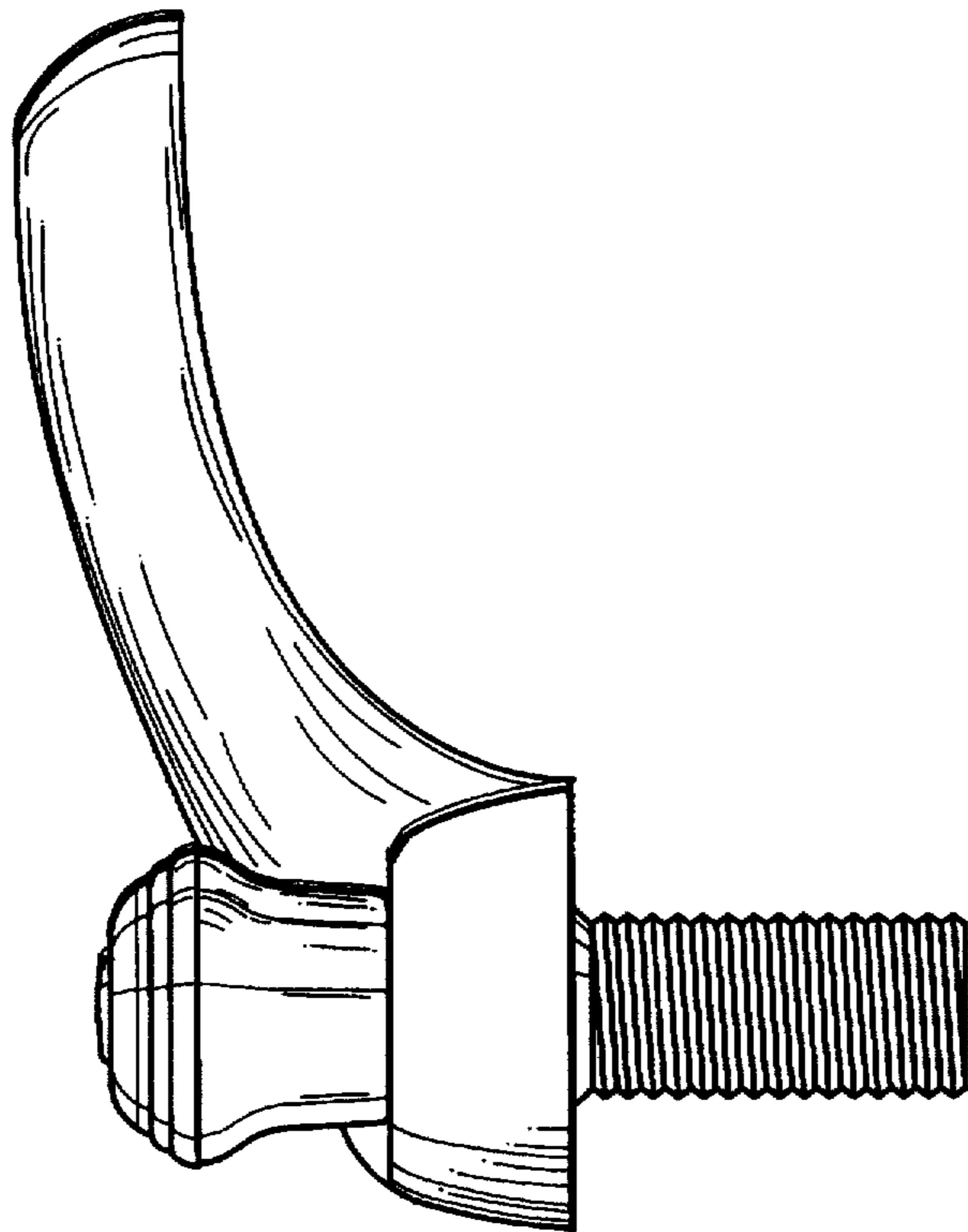


Fig. 4

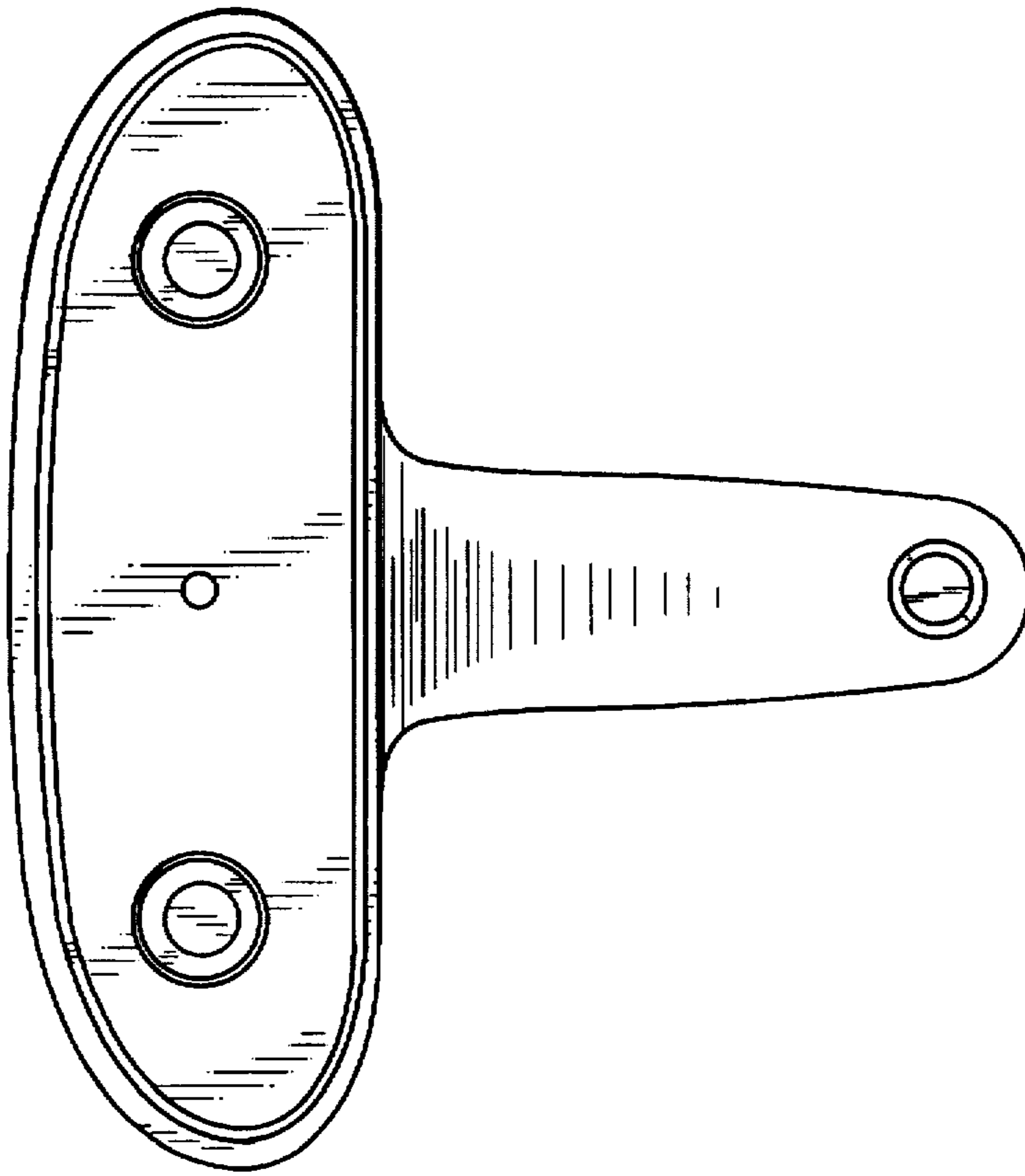


Fig. 7

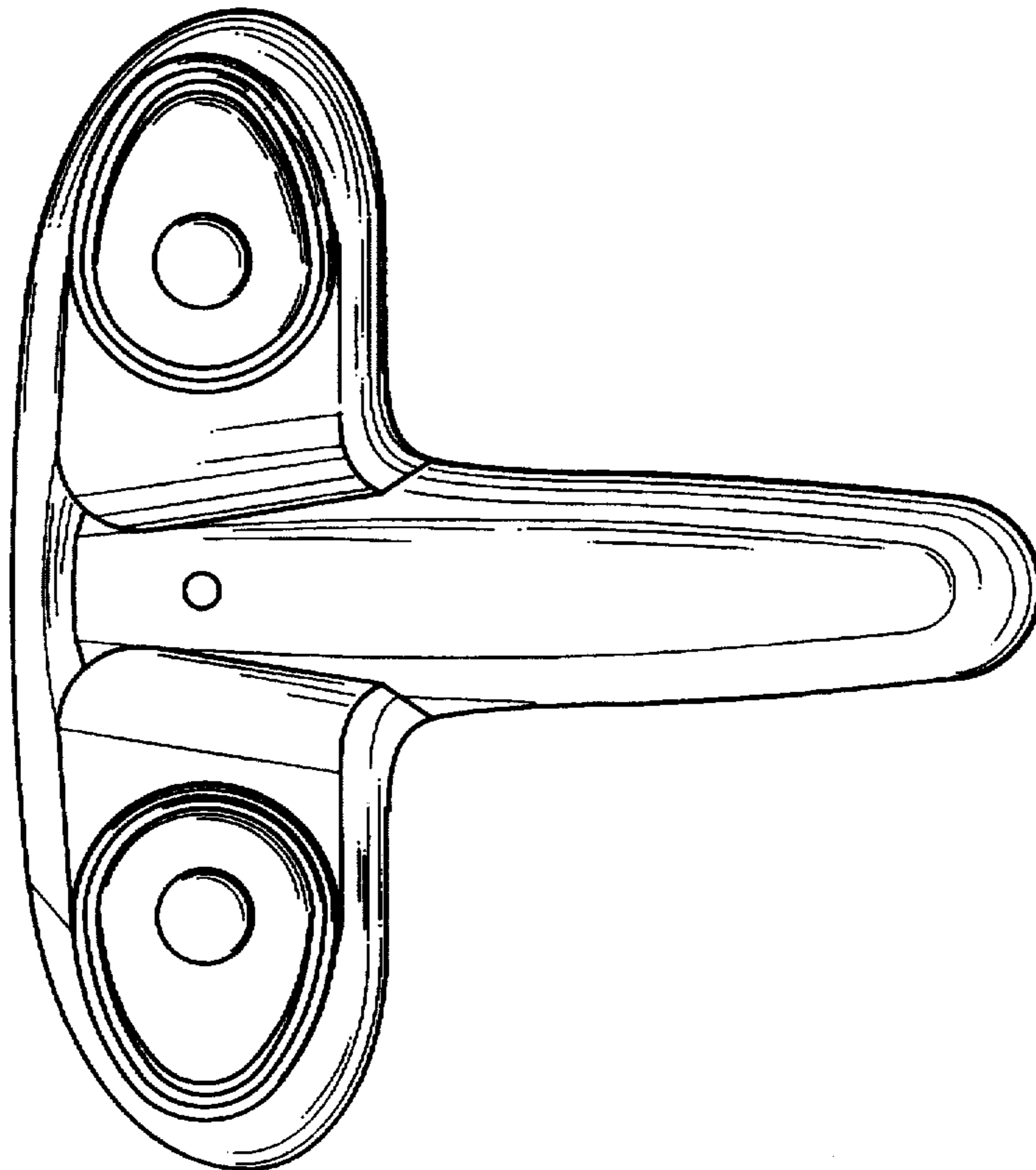


Fig. 6