



US00D397423S

# United States Patent [19]

[11] Patent Number: **Des. 397,423**

Short et al.

[45] Date of Patent: **\*\*\*Aug. 25, 1998**

[54] FAUCET

[75] Inventors: **Kevin Short, LaGrange; Scott C. Baker, Hoffman Estates; John C. Watson, Westchester, all of Ill.**

[73] Assignee: **The Chicago Faucet Company, Des Plaines, Ill.**

[\*] Notice: The portion of the term of this patent subsequent to Dec. 2, 2011, has been disclaimed.

[\*\*] Term: **14 Years**

[21] Appl. No.: **62,309**

[22] Filed: **Nov. 13, 1996**

[51] LOC (6) Cl. .... **23-01**

[52] U.S. Cl. .... **D23/238**

[58] Field of Search ..... **D23/238-243, D23/250-257; 4/675-678; 137/801**

### [56] References Cited

#### U.S. PATENT DOCUMENTS

- D. 291,234 8/1987 Bergmann et al. .... D23/238
- D. 358,866 5/1995 Haug et al. .... D23/238
- D. 367,697 3/1996 Haug et al. .
- D. 367,698 3/1996 Haug et al. .

- D. 367,699 3/1996 Hill et al. .
- D. 367,700 3/1996 Hill et al. .
- D. 367,701 3/1996 Hill et al. .
- D. 367,917 3/1996 Haug et al. .
- D. 367,918 3/1996 Haug et al. .
- D. 367,919 3/1996 Lobermeier ..... D23/238
- D. 367,920 3/1996 Hill et al. .
- D. 368,958 4/1996 Hill et al. .
- D. 377,678 1/1997 Gottwald ..... D23/238

*Primary Examiner*—Louis S. Zarfes  
*Assistant Examiner*—Eric Watterson  
*Attorney, Agent, or Firm*—Leydig, Voit & Mayer, Ltd.

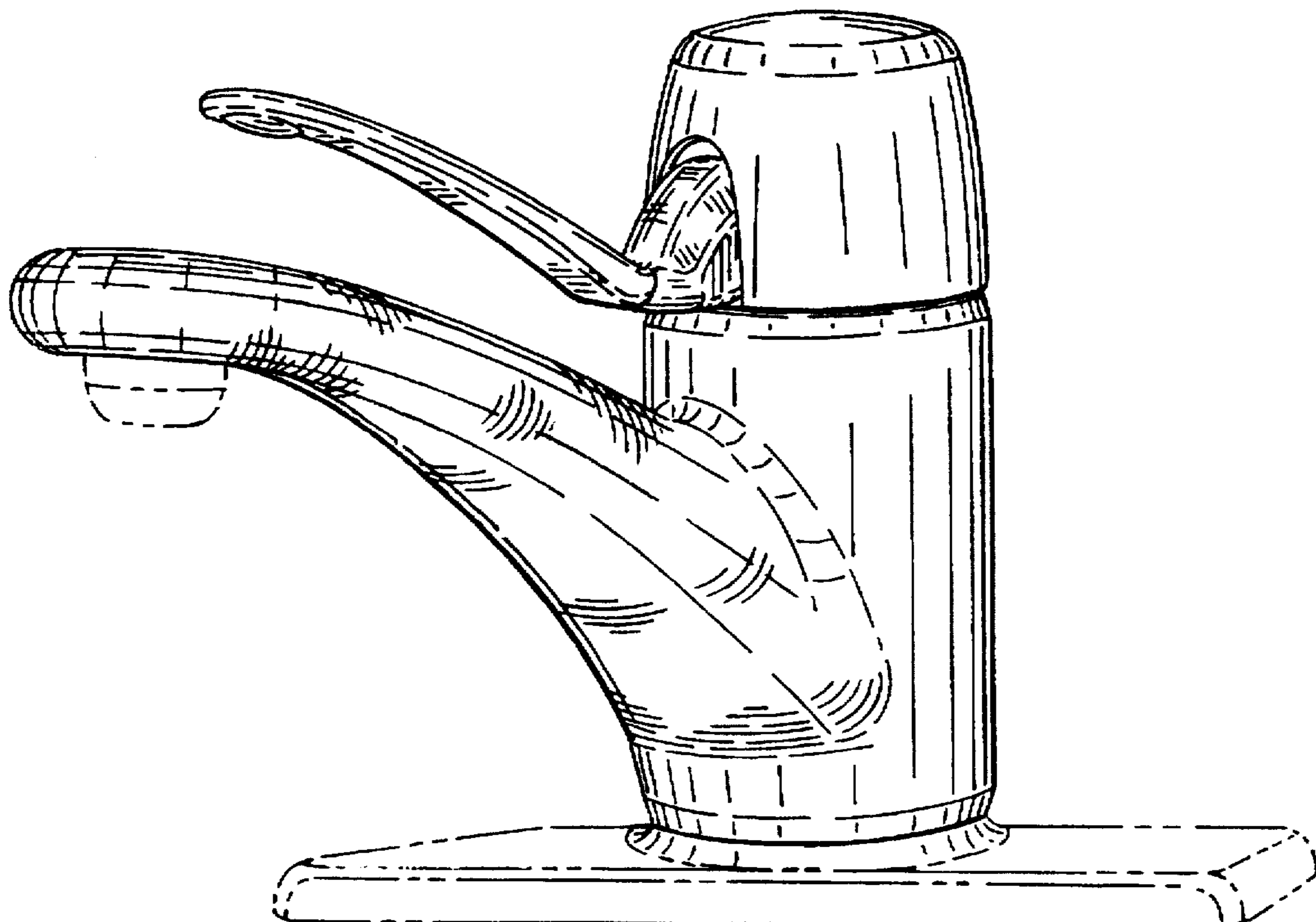
### [57] CLAIM

The ornamental design for a faucet, as shown and described.

### DESCRIPTION

FIG. 1 is a perspective view of a faucet showing our new design;  
 FIG. 2 is a front side elevational view thereof;  
 FIG. 3 is a rear side elevational view thereof;  
 FIG. 4 is a top plan view thereof;  
 FIG. 5 is a bottom plan view thereof;  
 FIG. 6 is a left side elevational view thereof; and,  
 FIG. 7 is a right side elevational view thereof.  
 The broken line showings of the base and aerator are for illustrative purposes only and form no part of the claimed design.

**1 Claim, 4 Drawing Sheets**



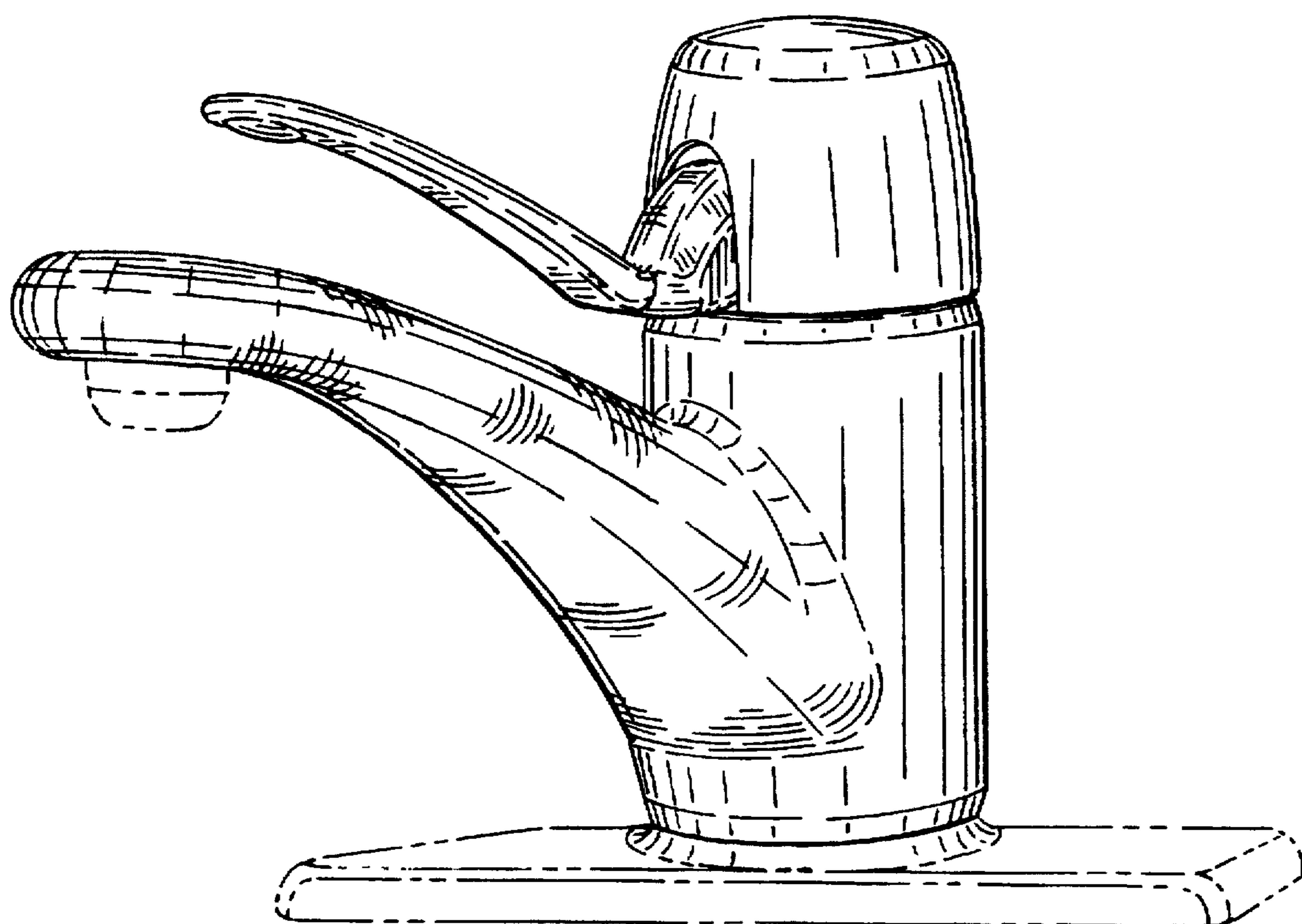


FIG. 1

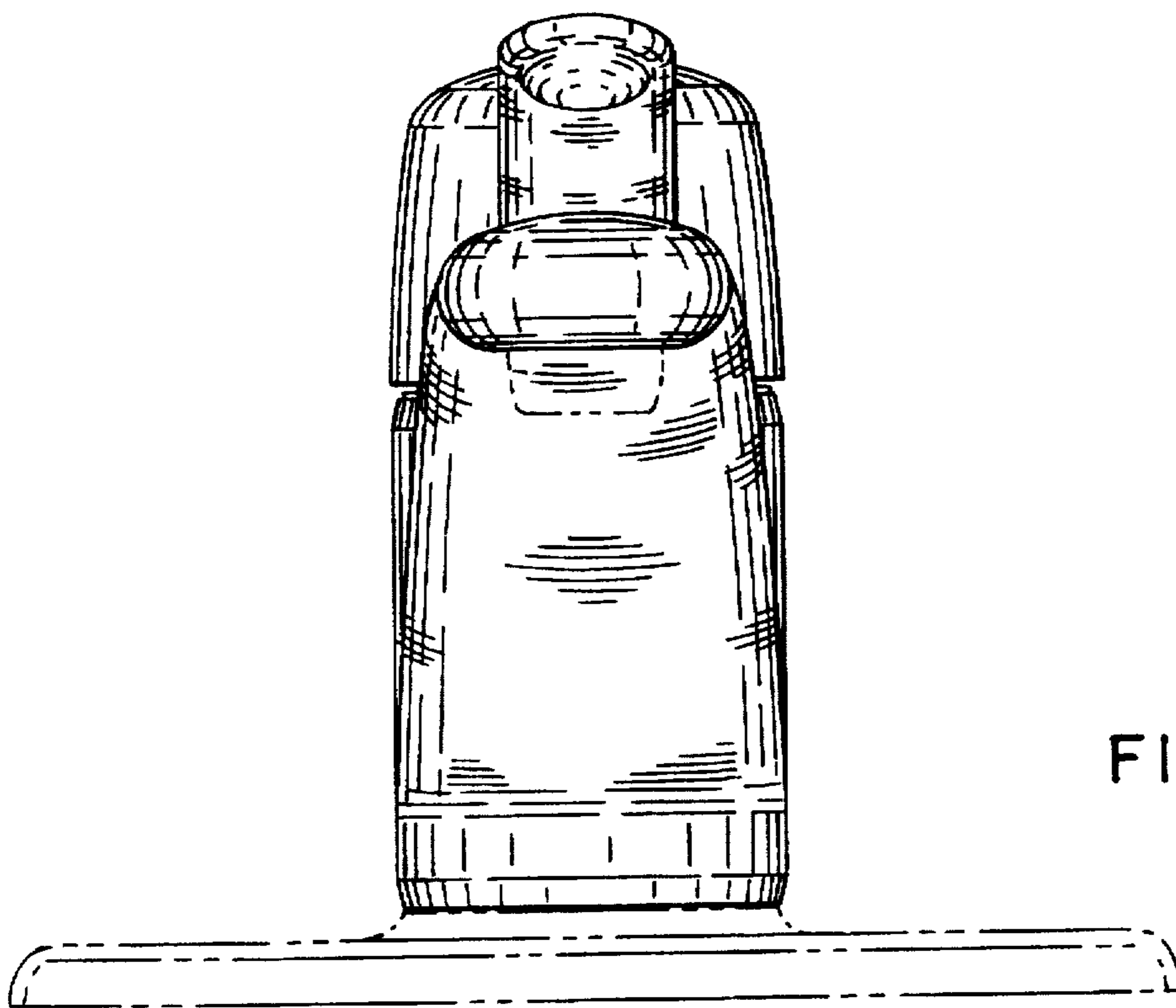


FIG. 2

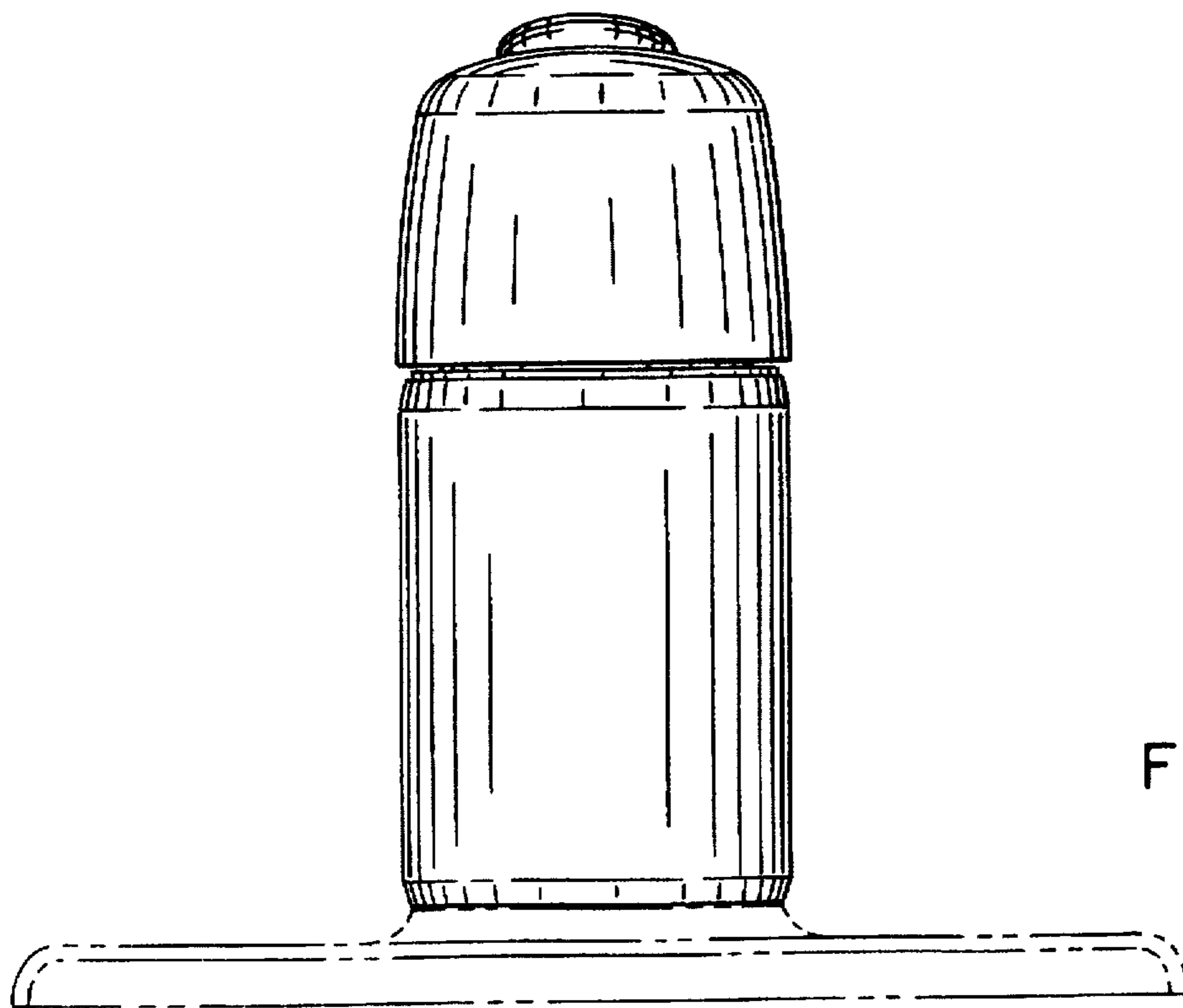


FIG. 3

FIG. 4

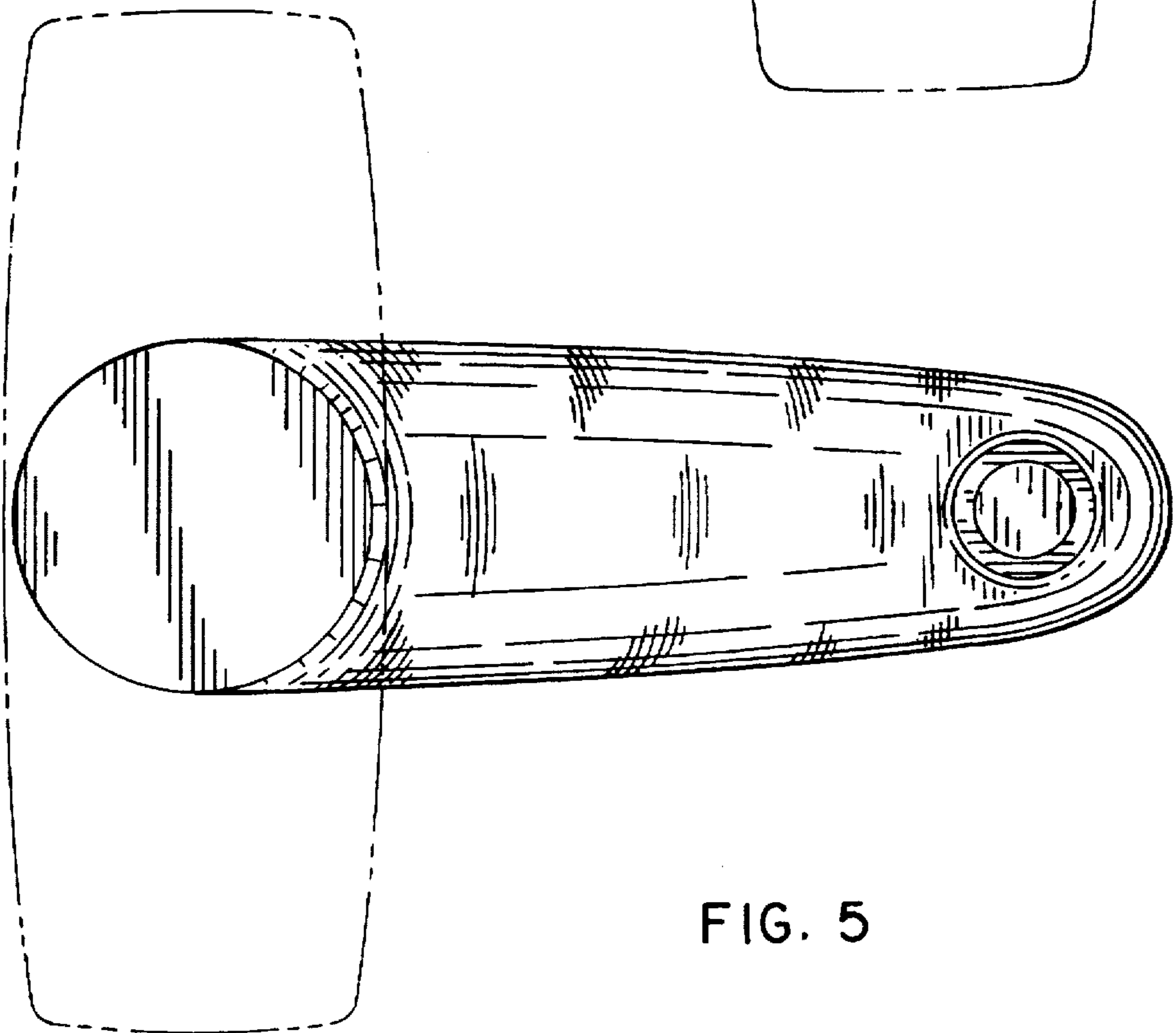
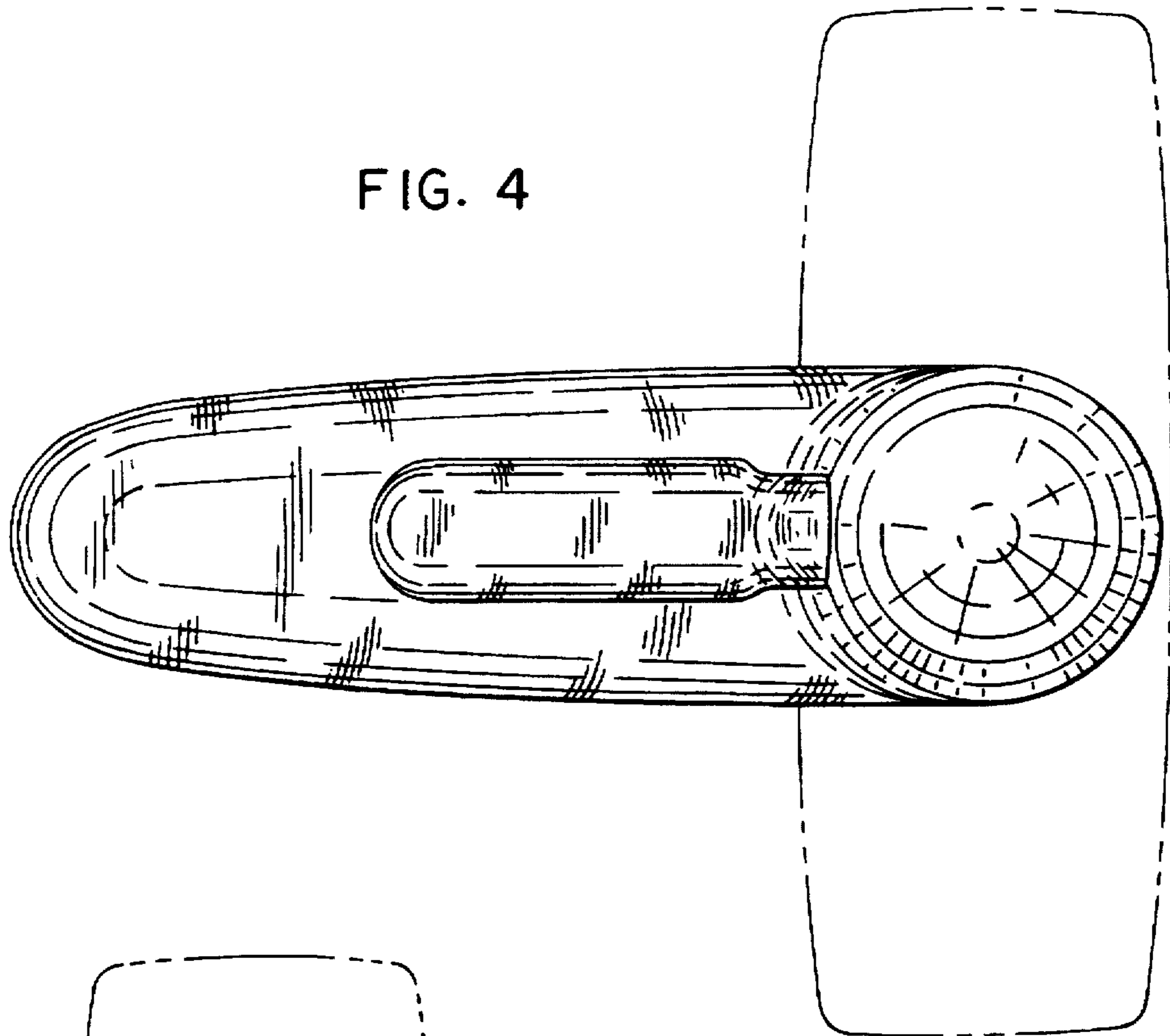


FIG. 5



