

US00D397416S

# United States Patent [19]

[11] Patent Number: **Des. 397,416**

Lee

[45] Date of Patent: **\*\*Aug. 25, 1998**

## [54] COMBINED CEILING FAN AND LIGHT

D. 377,975 2/1997 Young ..... D23/385

[76] Inventor: **Ching-Tan Lee**, No. 52, Lane 480,  
Section 2, Fenghsi Rd., Taichung Hsien,  
Taiwan

*Primary Examiner*—Lisa Lichtenstein  
*Attorney, Agent, or Firm*—Morton J. Rosenberg; David I.  
Klein; Jun Y. Lee

[\*\*] Term: **14 Years**

### [57] CLAIM

[21] Appl. No.: **78,507**

The ornamental design for a combined ceiling fan and light,  
as shown.

[22] Filed: **Oct. 27, 1997**

### DESCRIPTION

[51] LOC (6) Cl. .... **23-04**

[52] U.S. Cl. .... **D23/377; D23/379; D23/385**

[58] Field of Search ..... **D23/377, 379,  
D23/385, 411; D26/81-86, 88, 59, 72, 51;  
392/364; 416/5; 362/96**

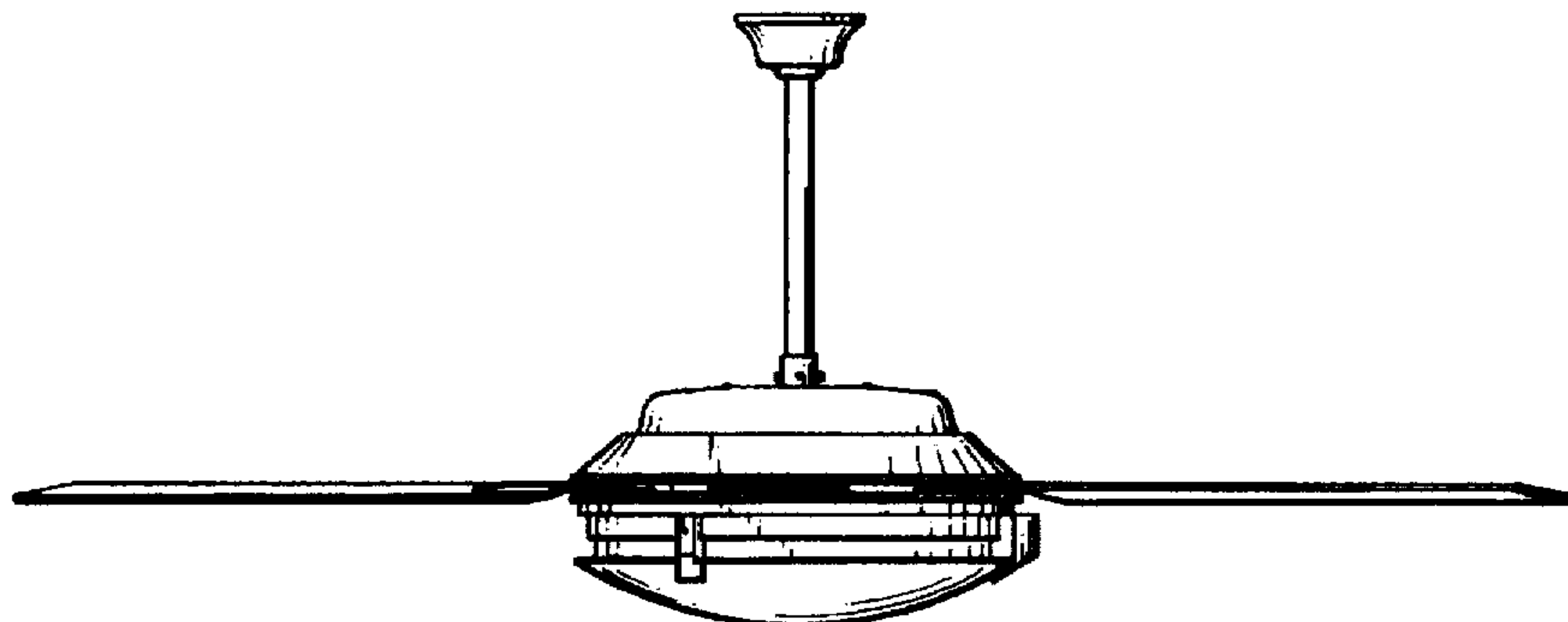
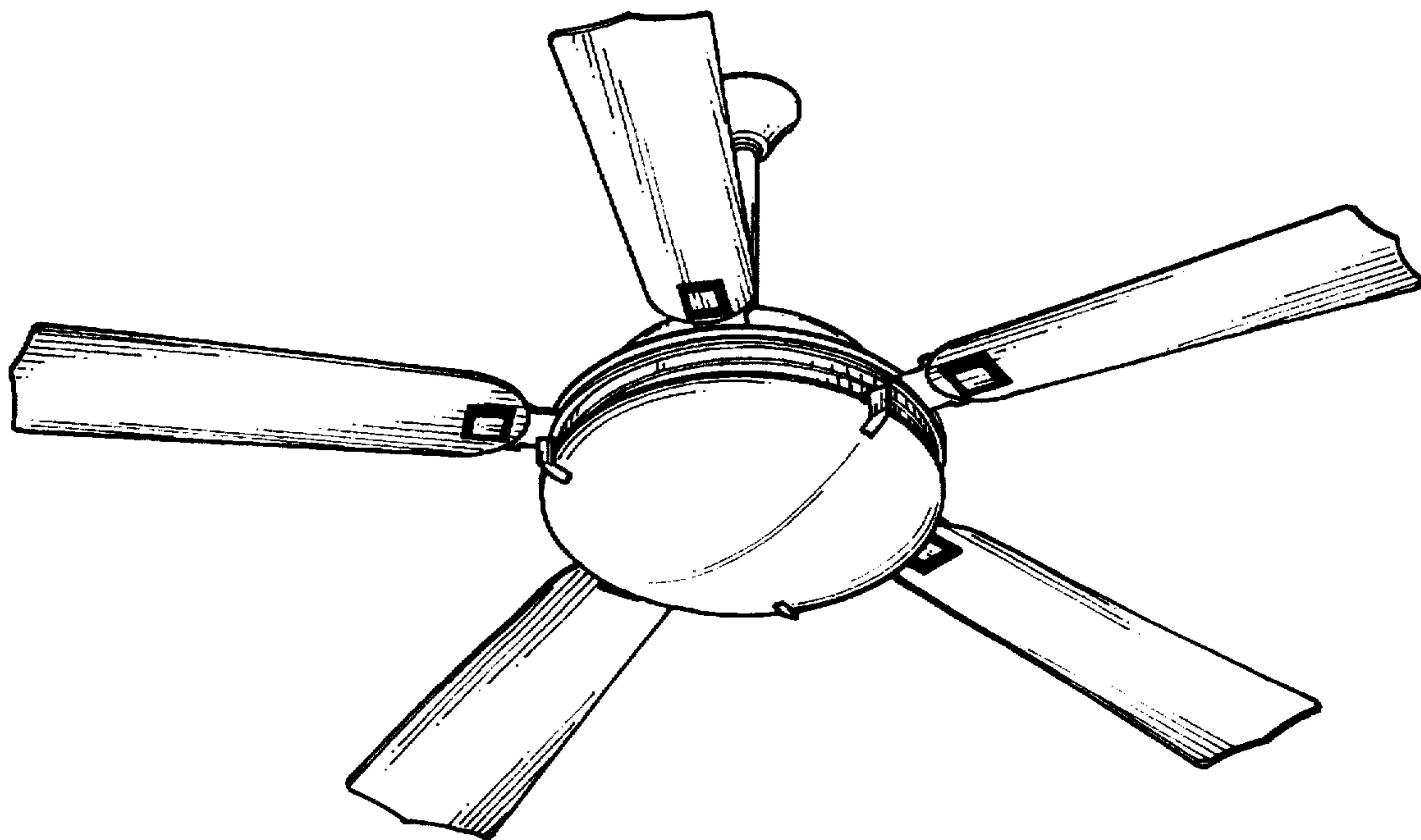
FIG. 1 is a front-bottom perspective view of a combined  
ceiling fan and light, showing my new design;  
FIG. 2 is a front elevational view thereof;  
FIG. 3 is a rear elevational view thereof;  
FIG. 4 is a top plan view thereof;  
FIG. 5 is a bottom plan view thereof;  
FIG. 6 is a left elevational view thereof; and,  
FIG. 7 is a right elevational view thereof.

### [56] References Cited

#### U.S. PATENT DOCUMENTS

D. 372,774 8/1996 Holbrook ..... D23/377

**1 Claim, 7 Drawing Sheets**



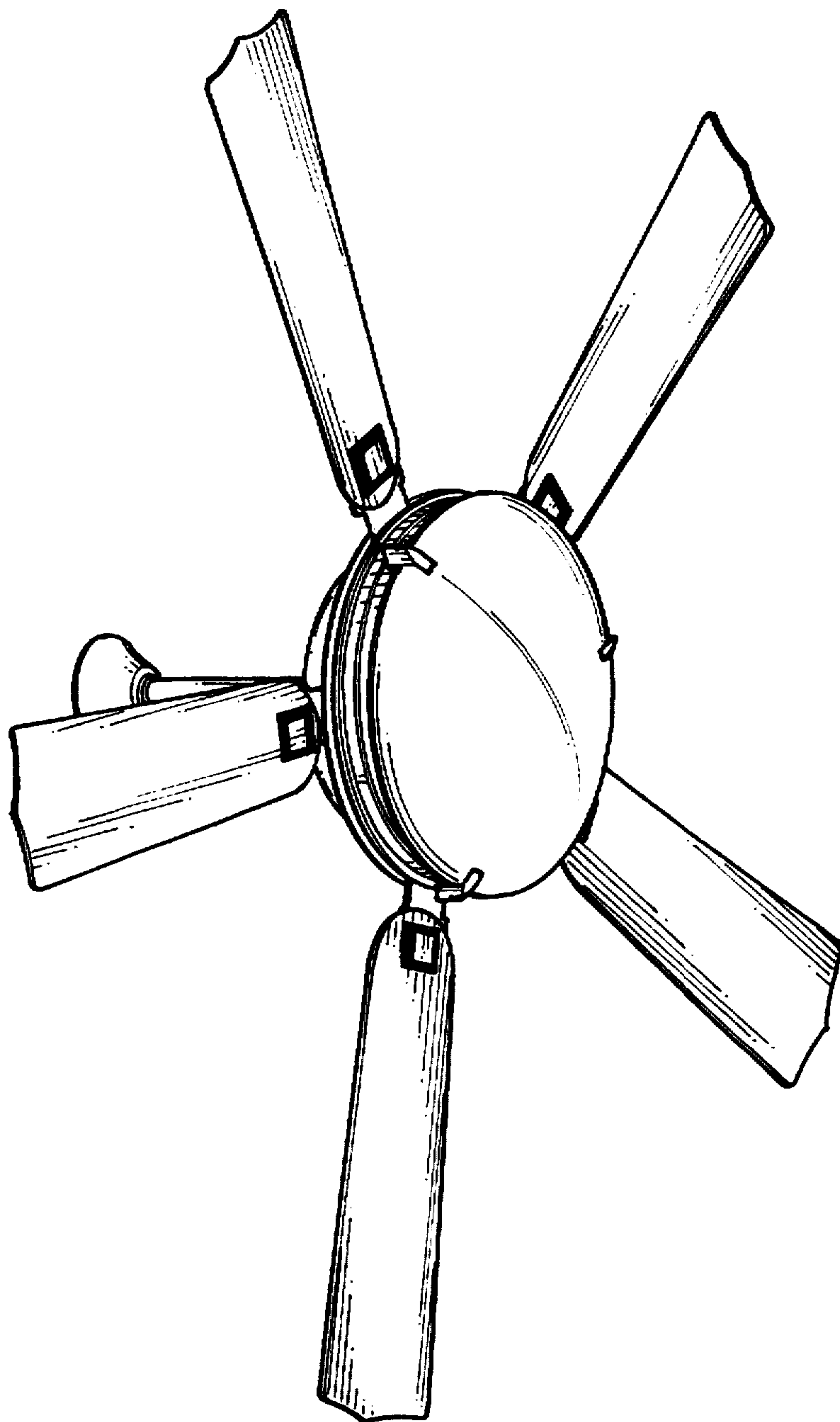


FIG. 1

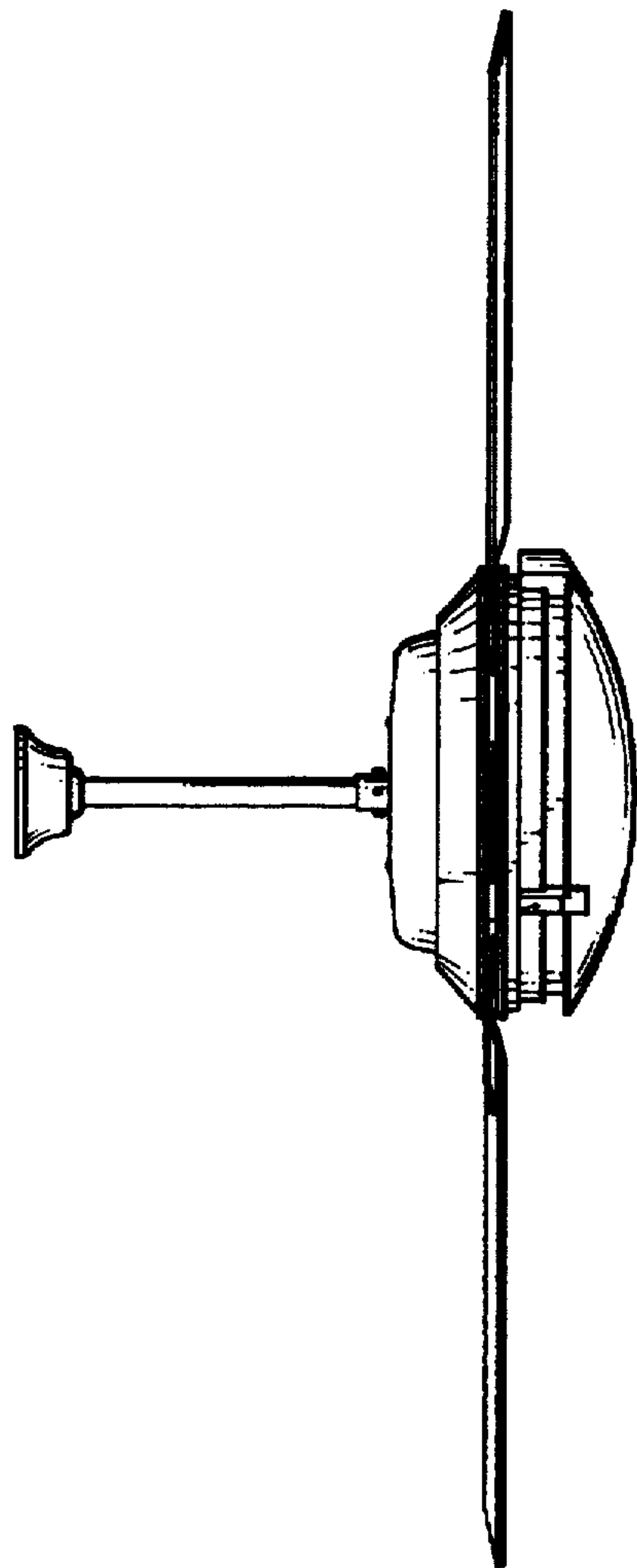


FIG.2

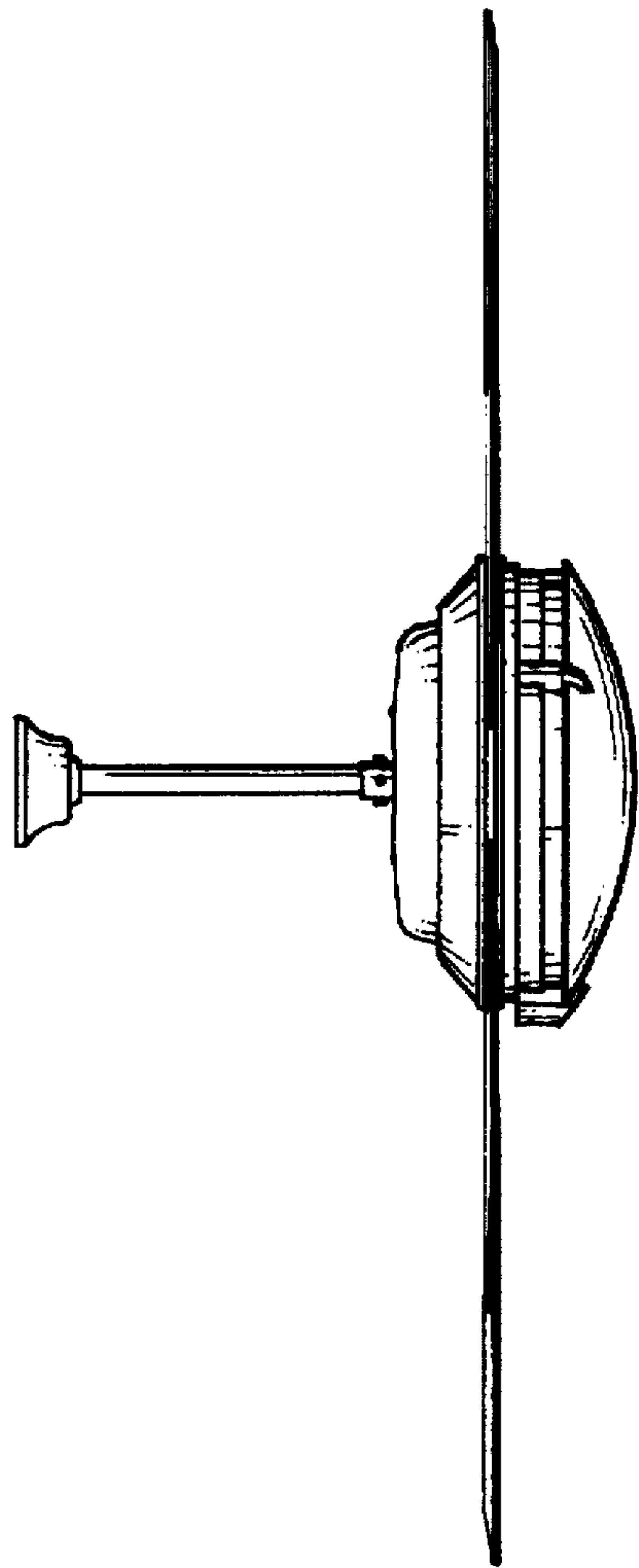


FIG. 3

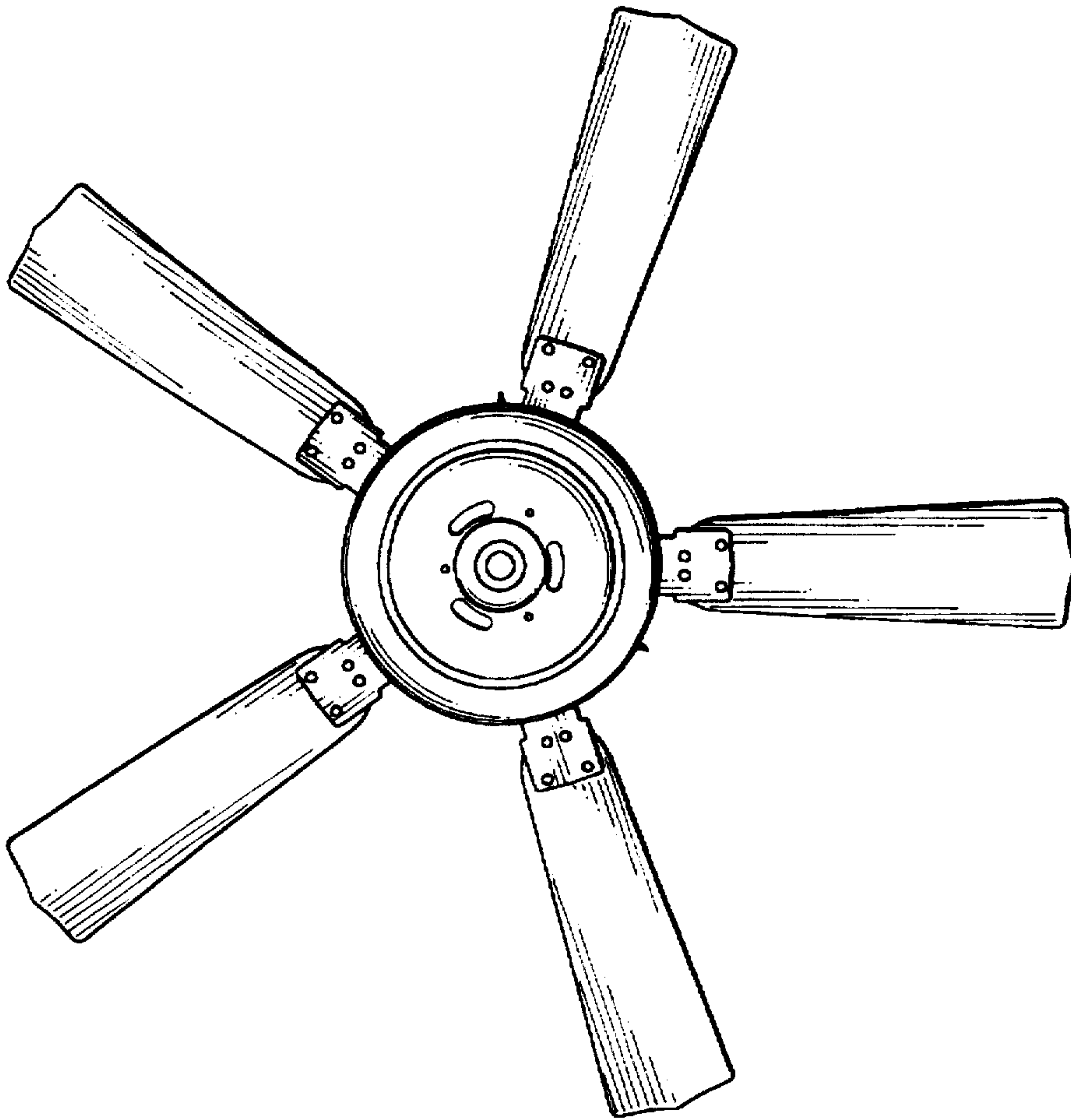


FIG. 4

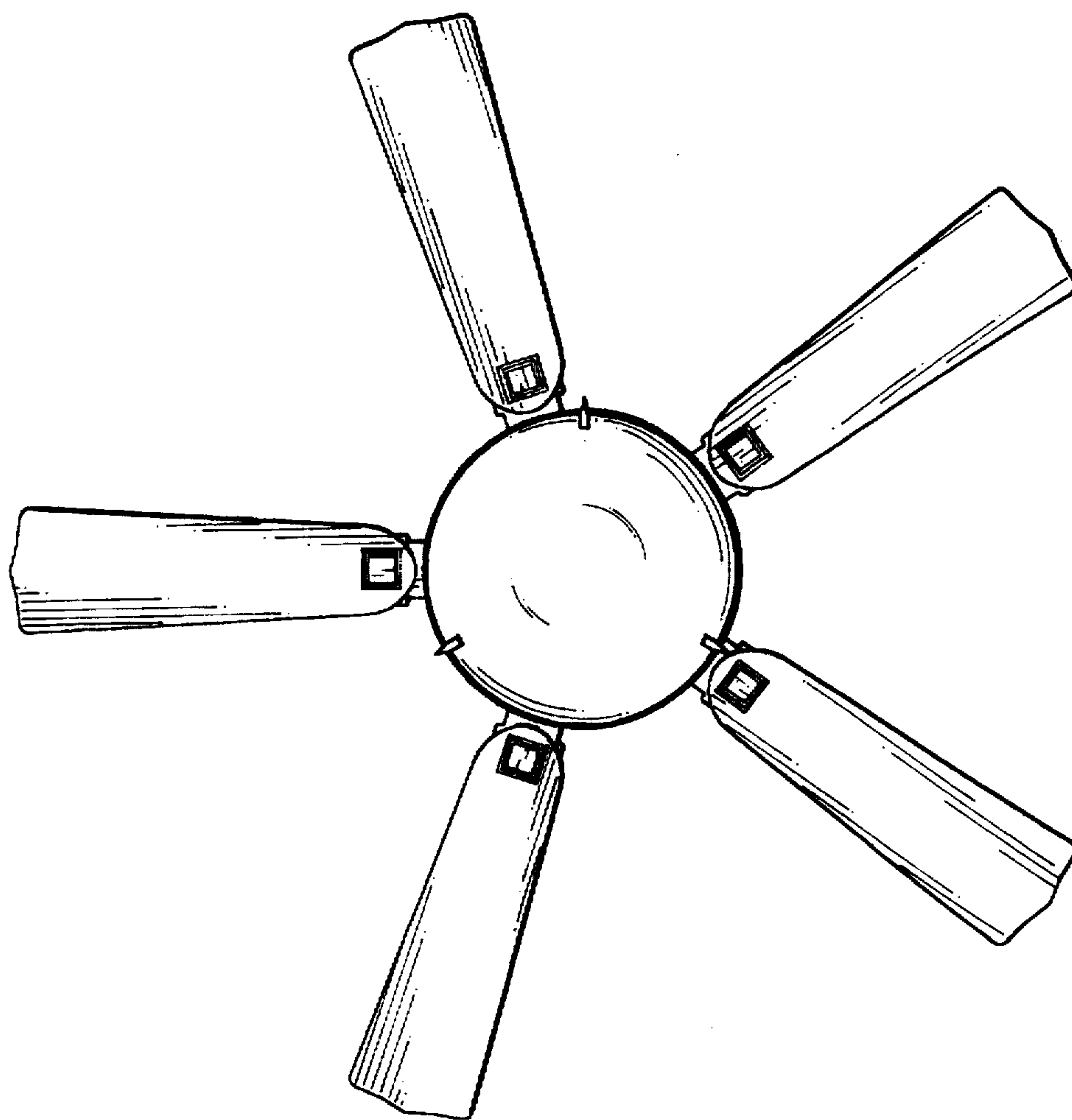


FIG. 5

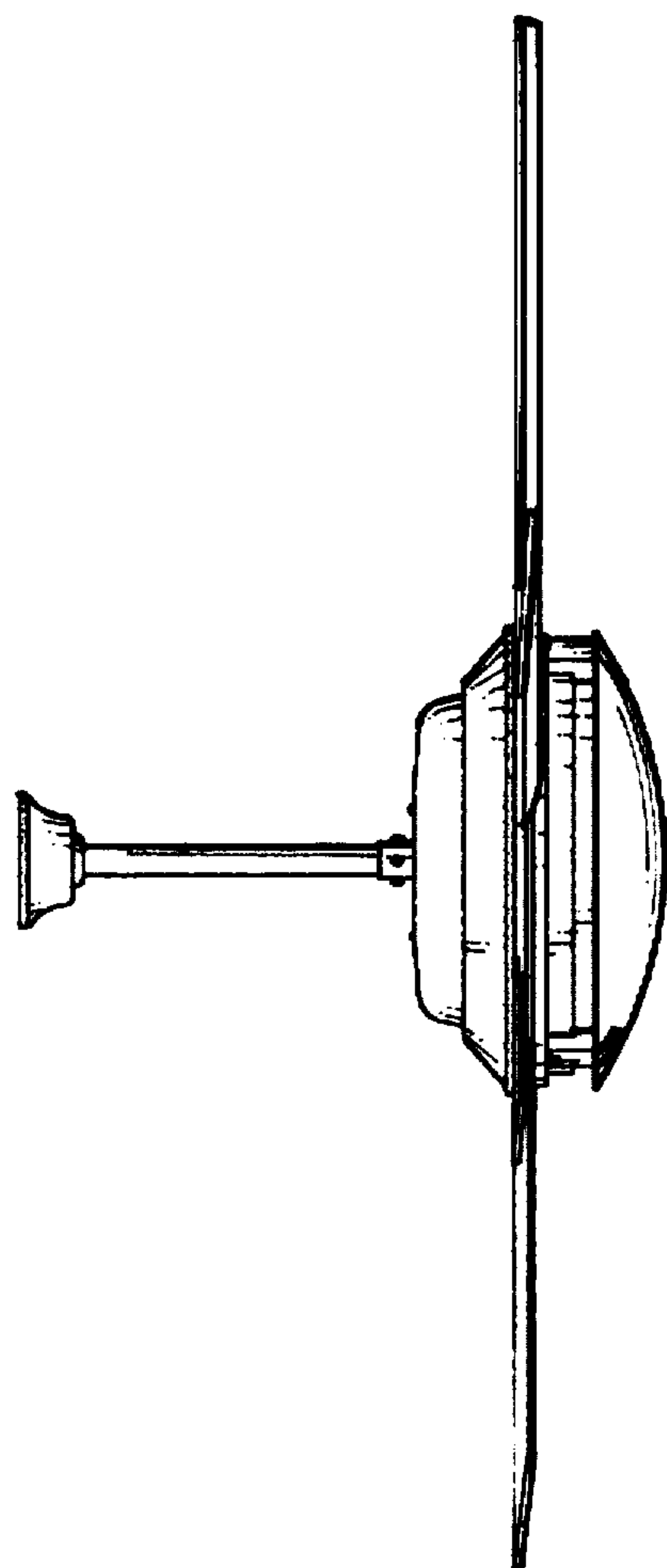


FIG. 6

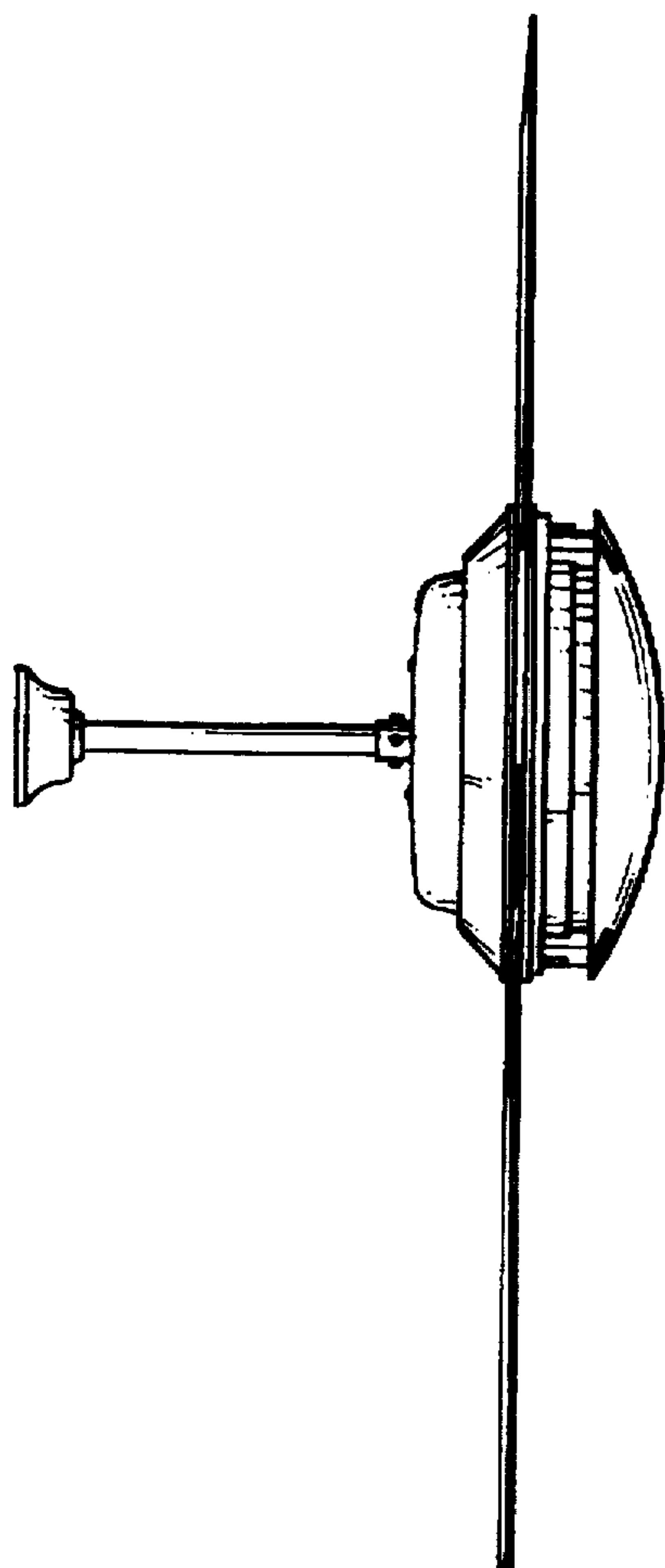


FIG. 7