



US00D397414S

United States Patent [19]
Moncaster

[11] **Patent Number: Des. 397,414**
[45] **Date of Patent: **Aug. 25, 1998**

[54] **BATHING ENCLOSURE**

[76] **Inventor: Thomas R. Moncaster, 251 Cloydon Cir., Santa Barbara, Calif. 93108**

[**] **Term: 14 Years**

[21] **Appl. No.: 68,320**

[22] **Filed: Apr. 2, 1997**

Related U.S. Application Data

[62] **Division of Ser. No. 730,140, Oct. 15, 1996.**

[51] **LOC (6) CL 23-02**

[52] **U.S. Cl. D23/283**

[58] **Field of Search D23/277, 279,
D23/280.1-280.4; 4/599, 594, 596, 615,
617, 607, 612, 610, 584**

[56] **References Cited**

U.S. PATENT DOCUMENTS

D. 374,916	10/1996	Casden	D23/283
D. 374,917	10/1996	Casden	D23/283
D. 374,918	10/1996	Casden	D23/283
3,216,482	11/1965	Lindholm	.	
4,878,530	11/1989	Jean	160/211
5,417,272	5/1995	Marlowe et al.	160/202
5,480,199	1/1996	Husting	292/198

FOREIGN PATENT DOCUMENTS

WO9424917 11/1994 WIPO .

Primary Examiner—Louis S. Zarfaz
Assistant Examiner—Eric Watterson
Attorney, Agent, or Firm—Leo F. Costello

[57] **CLAIM**

The ornamental design for a bathing enclosure, as shown and described.

DESCRIPTION

FIG. 1 is a front elevation of a bathing enclosure in accordance with the subject invention showing the enclosure in closed position in a bathing area. the mounting brackets for

the enclosure and the details of the bathing area being shown in phantom;

FIG. 2 is an isometric view of the bathing enclosure shown in FIG. 1 with a bath tub and mounting brackets being shown in phantom;

FIG. 3 is an isometric view of the dual doors of the bathing enclosure of FIG. 1, shown separately and apart from a bathing area and in partially retracted/extended position;

FIG. 4 is a front elevation of the dual doors of the bathing enclosure of FIG. 1 with the doors in fully retracted position and with details of the bathing area and the mounting brackets shown in phantom;

FIG. 5 is a front elevation of the single door of the bathing enclosure of FIG. 1 with details of the bathing area and the mounting brackets shown in phantom;

FIG. 6 is a view similar to FIG. 4, but with the dual doors in fully extended position and adjacent structure shown in phantom;

FIG. 7 is a front elevation similar to FIG. 6 but with the dual-doors inverted and reversed for opposite side mounting;

FIG. 8 is a isometric view of the bathing enclosure showing one of the dual doors in fully retracted position and showing the bathtub in phantom;

FIG. 9 is an isometric view of the bathing enclosure showing the dual doors in fully extended position and showing the bathtub, towel bar, and towel in phantom;

FIG. 10 is an isometric view of the bathing enclosure showing both the dual doors and the single door in retracted positions swung inwardly of the bathtub which is shown in phantom;

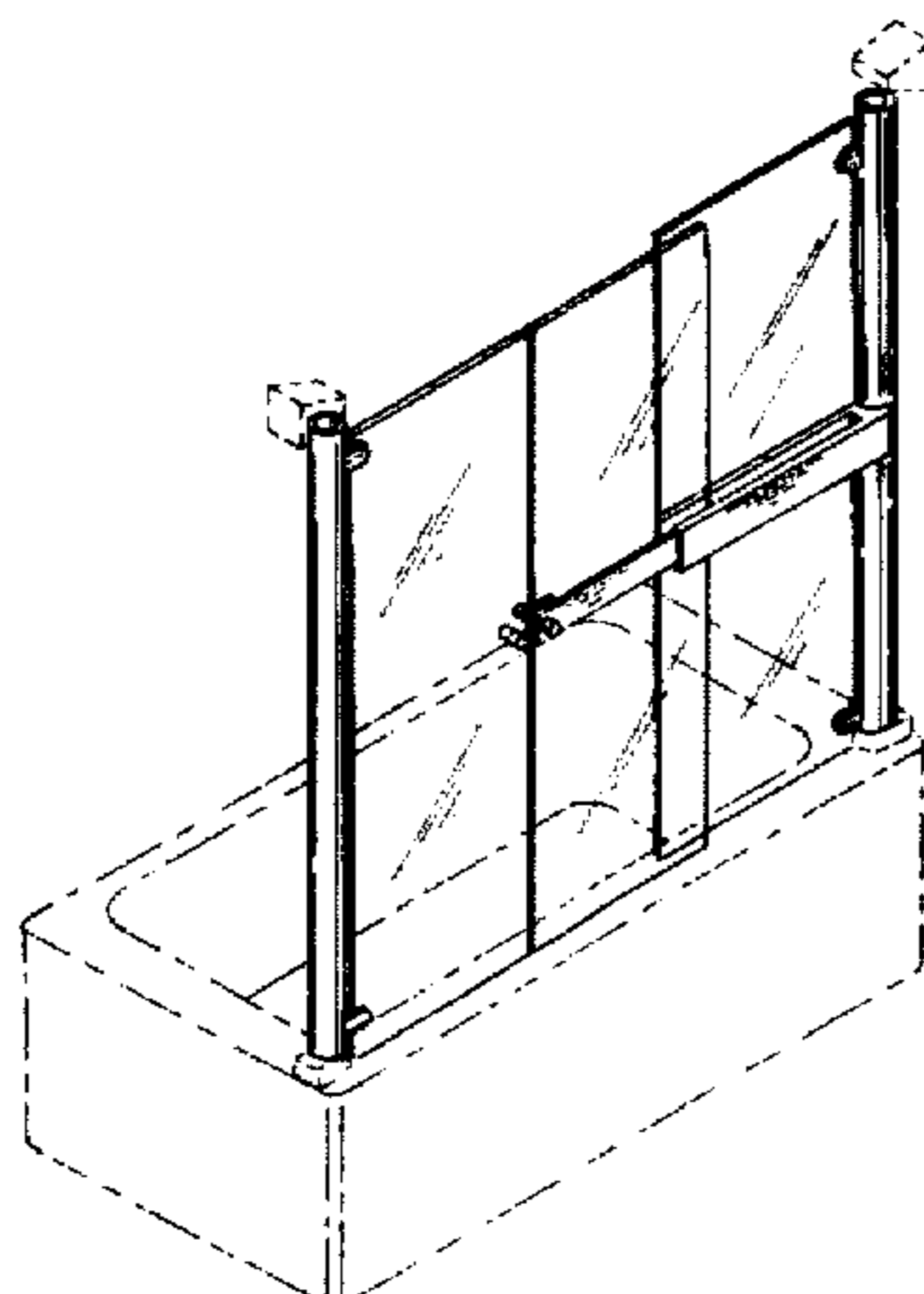
FIG. 11 is an isometric view of the bathing enclosure showing both the dual doors and the single door swung outwardly of the bathtub which is shown in phantom;

FIG. 12 is a front elevation of another embodiment of the subject bathing enclosure showing two pairs of dual doors with both sets of doors shown in full extended positions with the bathing area and mounting brackets shown in phantom; and,

FIG. 13 is a view of still another embodiment of the subject design similar to that shown in FIG. 1 but with the doors inverted and reversed from the positions in FIG. 1.

The phantom lines shown are for illustrative purposes only and form no part of the claimed design.

1 Claim, 7 Drawing Sheets



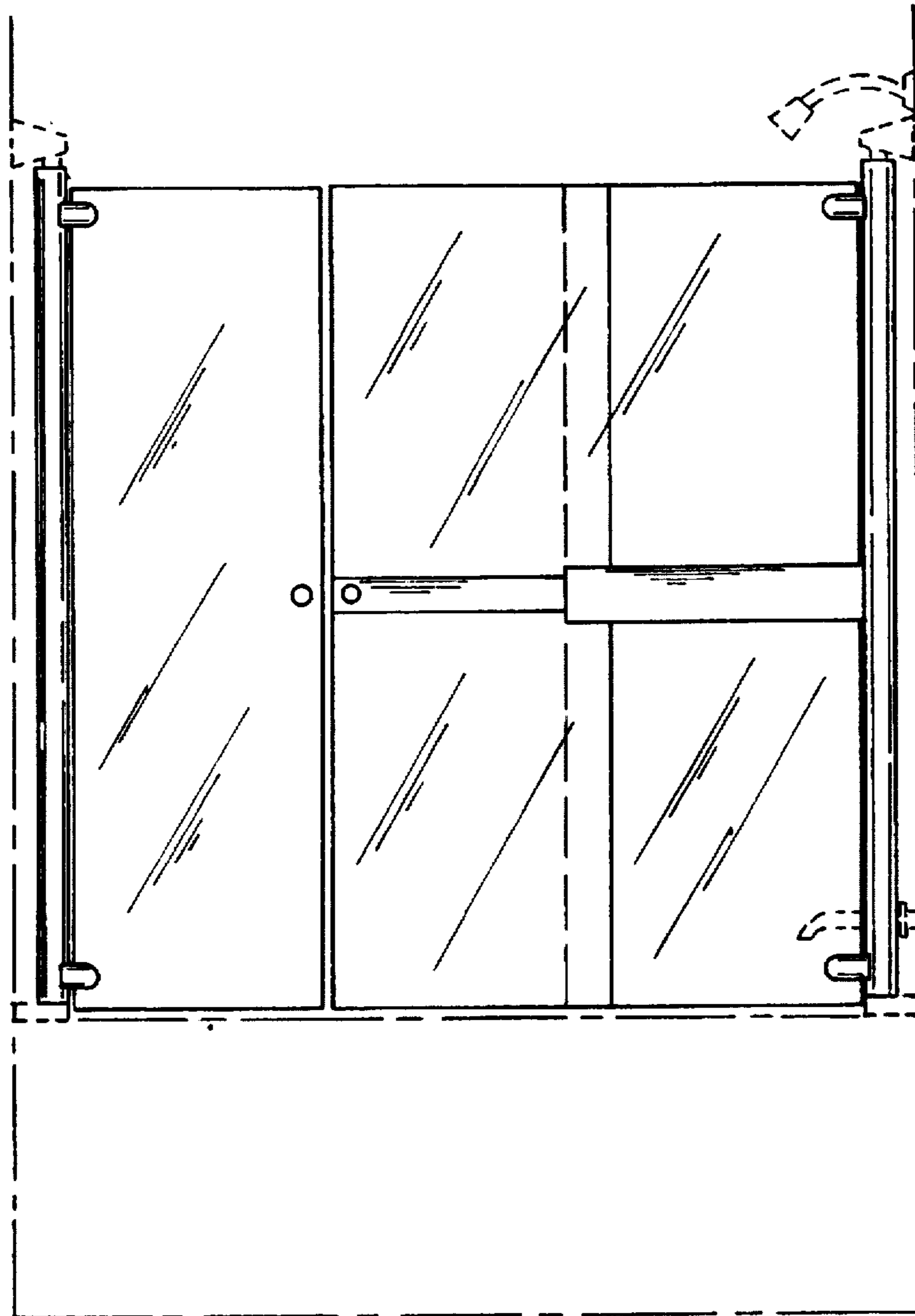
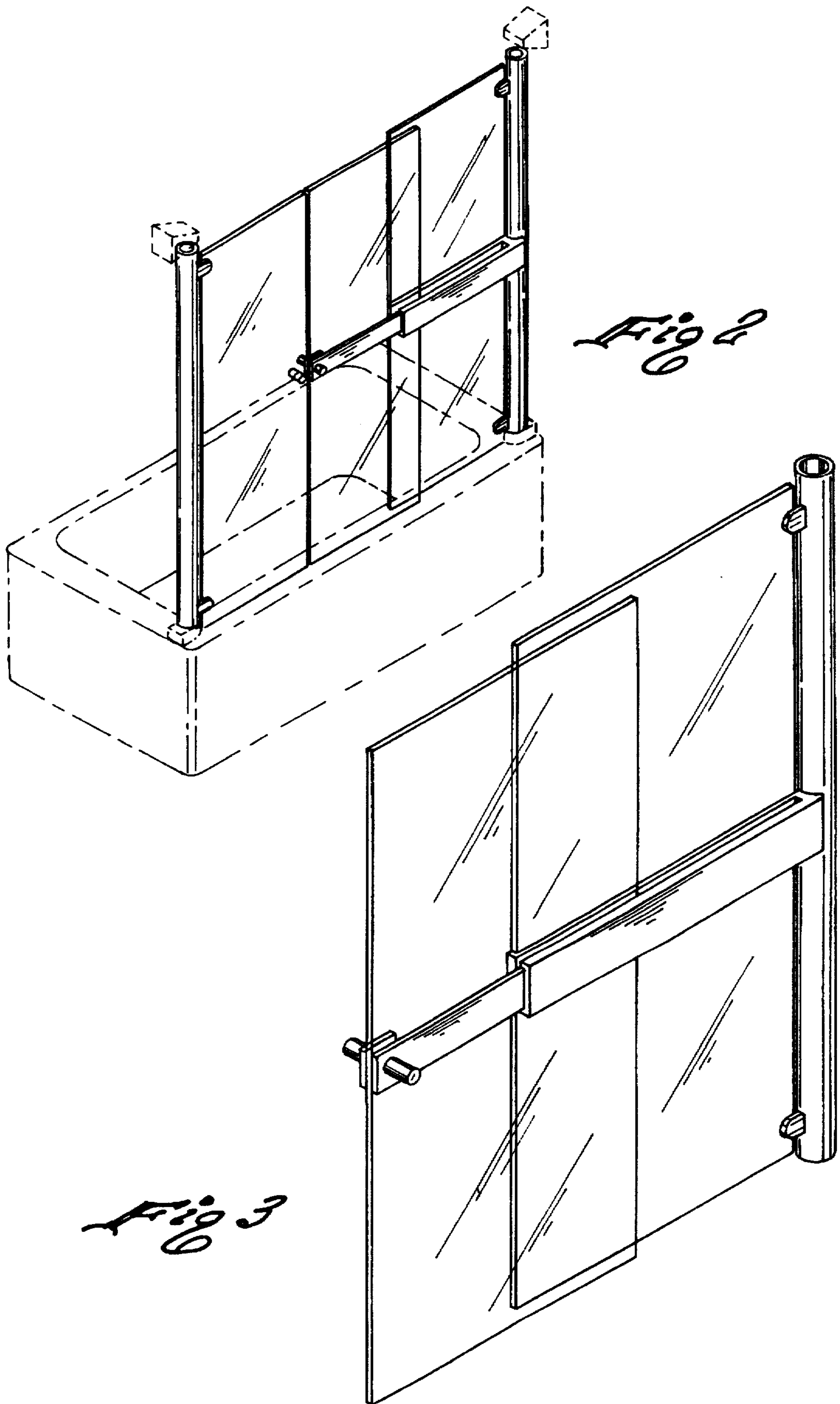


Fig 1



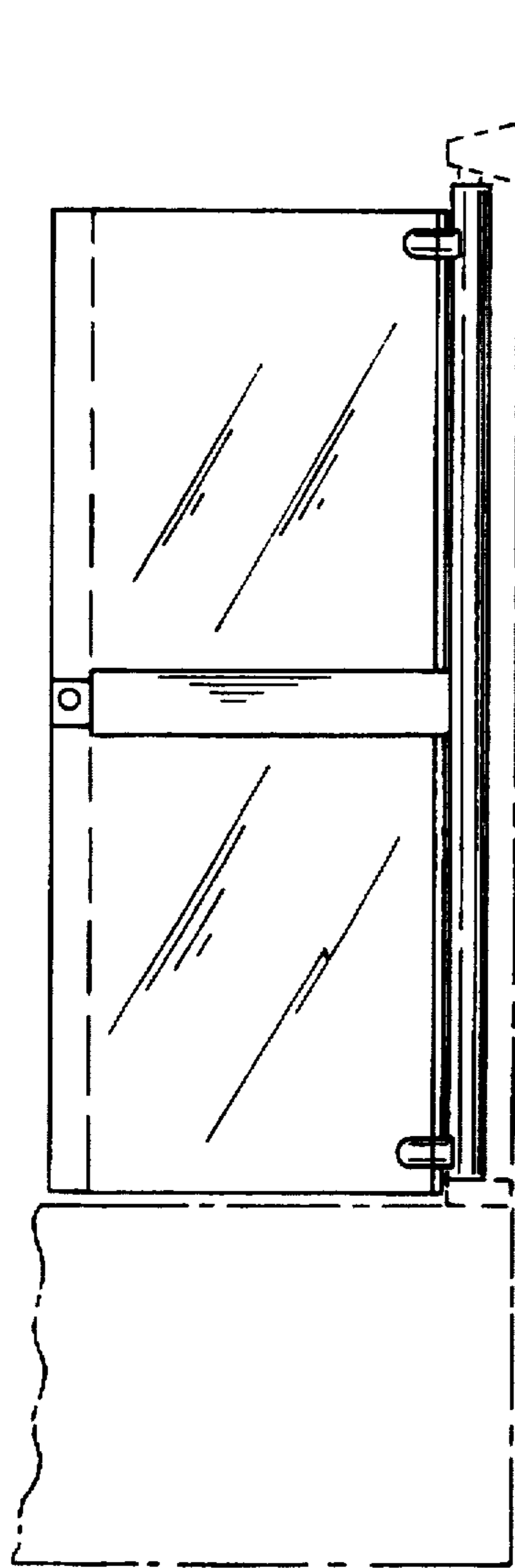


Fig 4

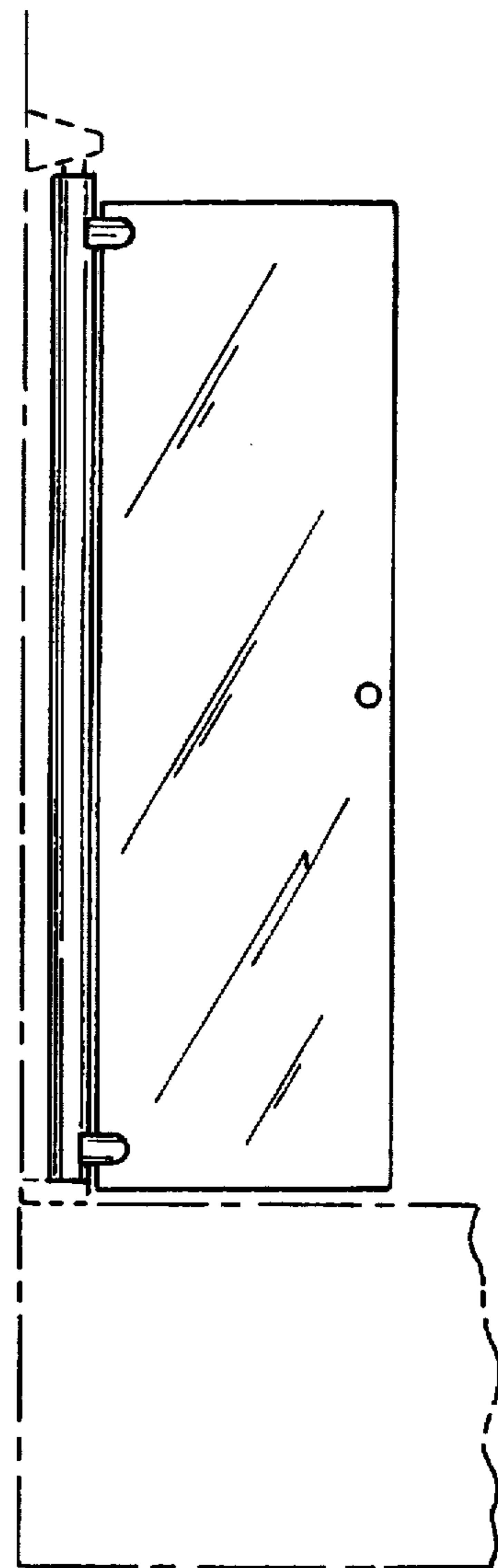


Fig 5

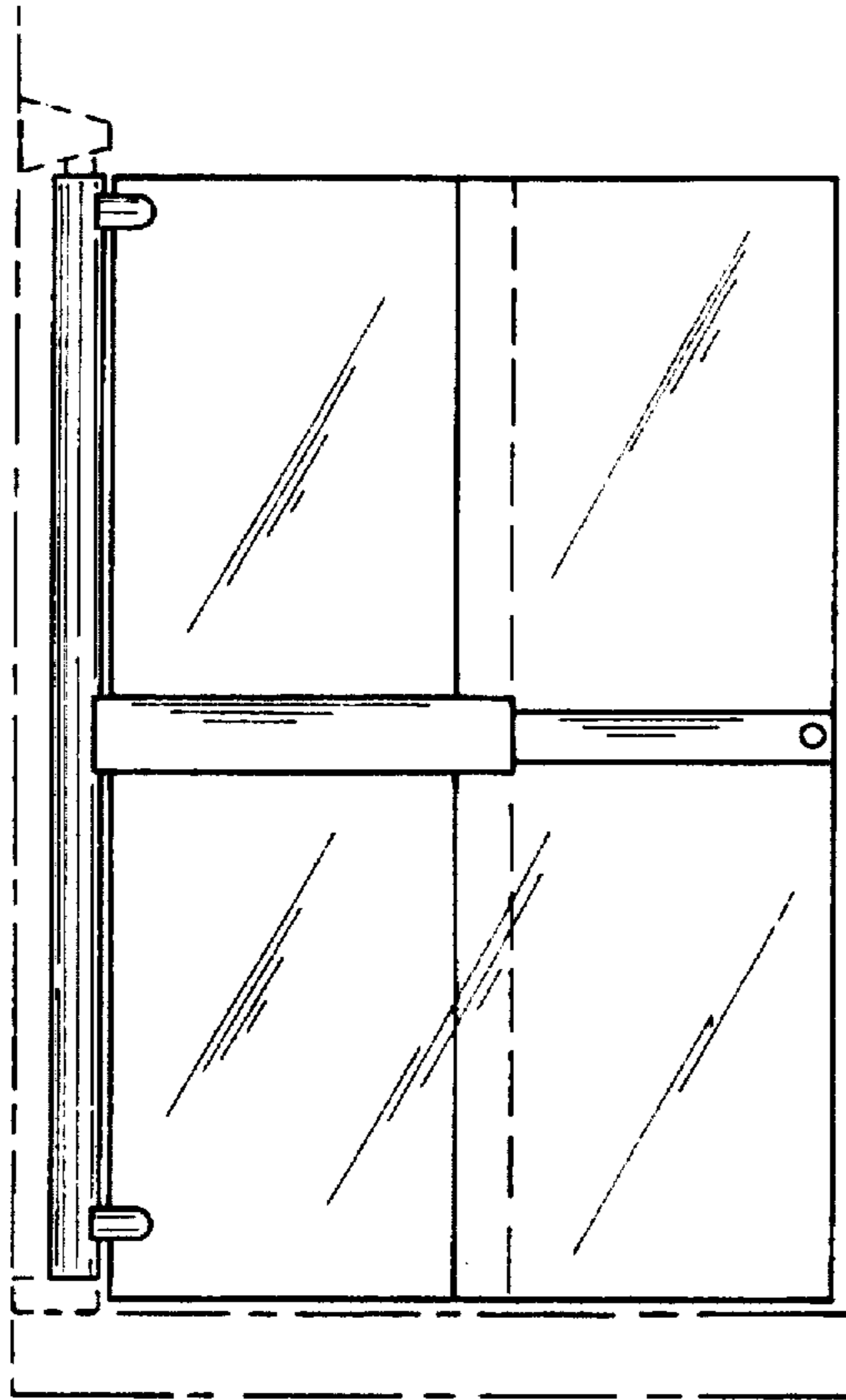


Fig 7

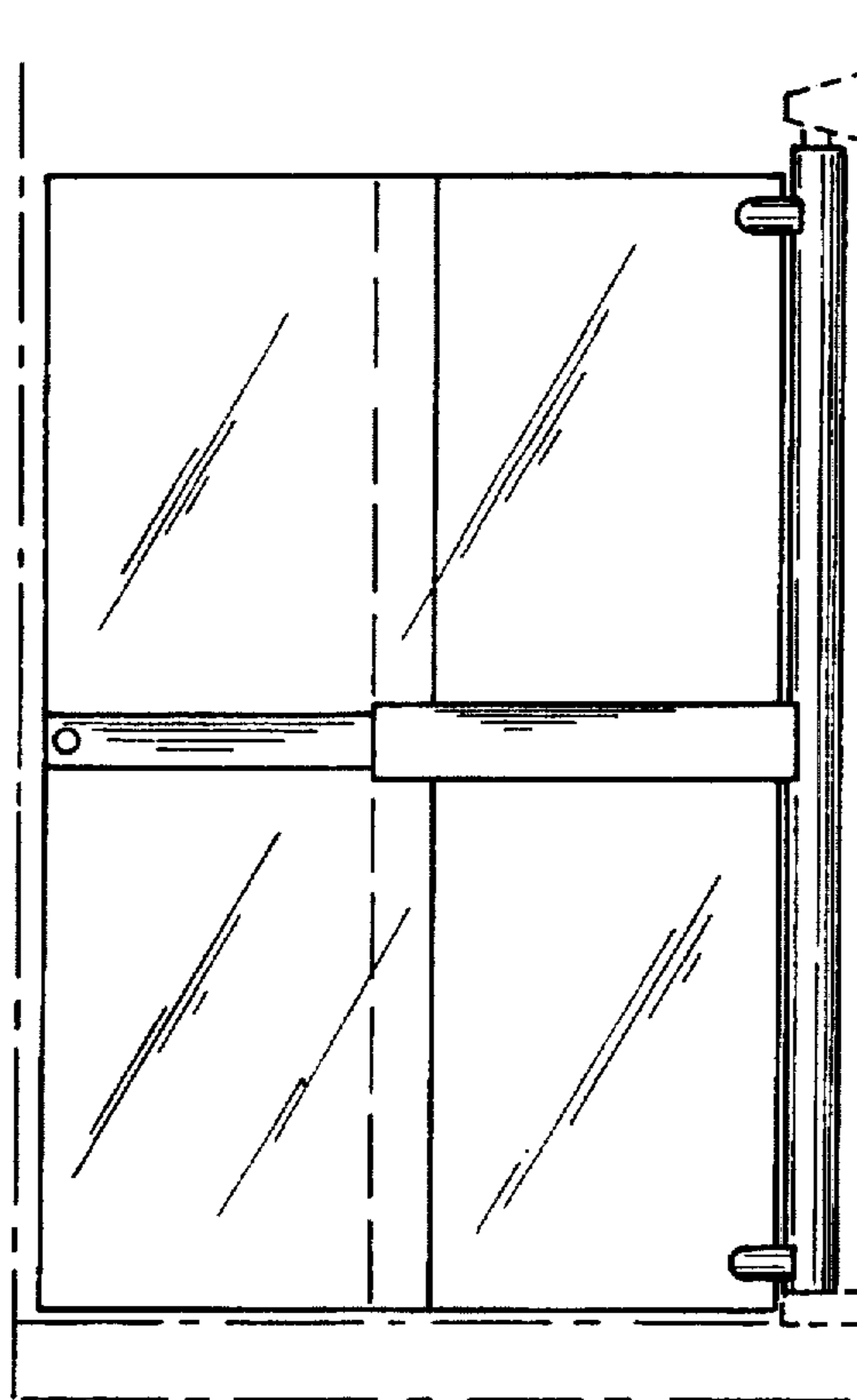


Fig 6

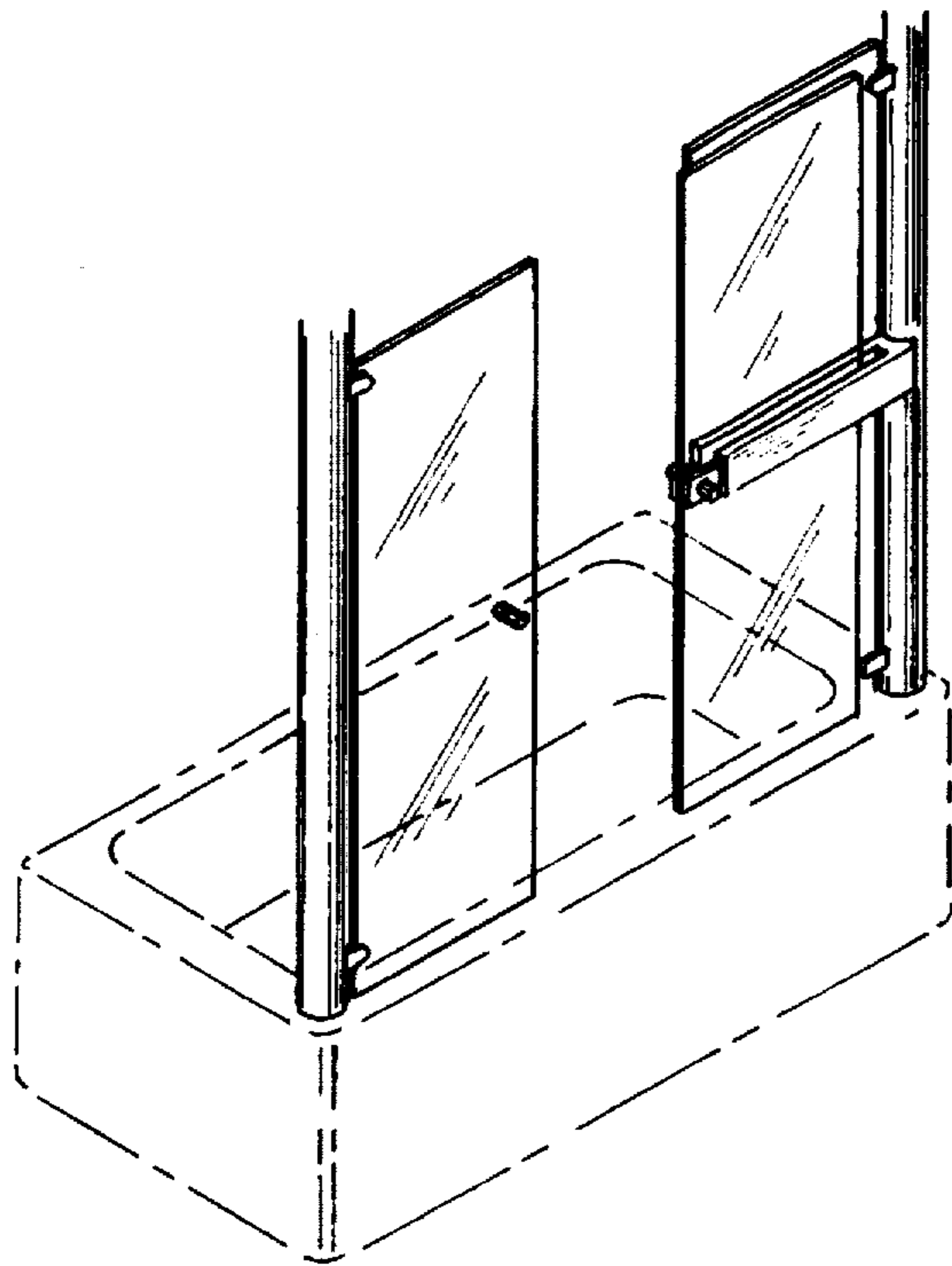


Fig 8

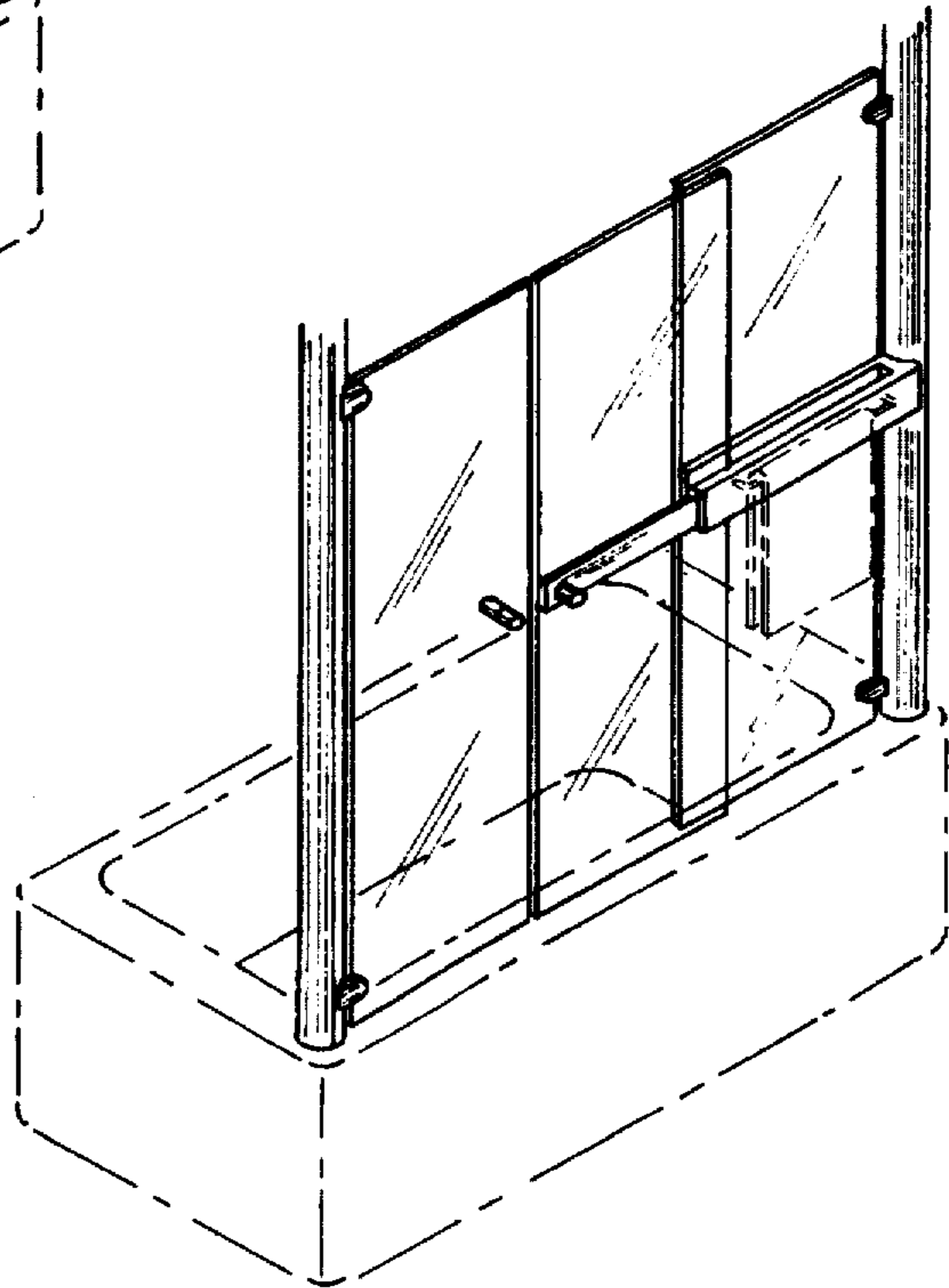


Fig 9

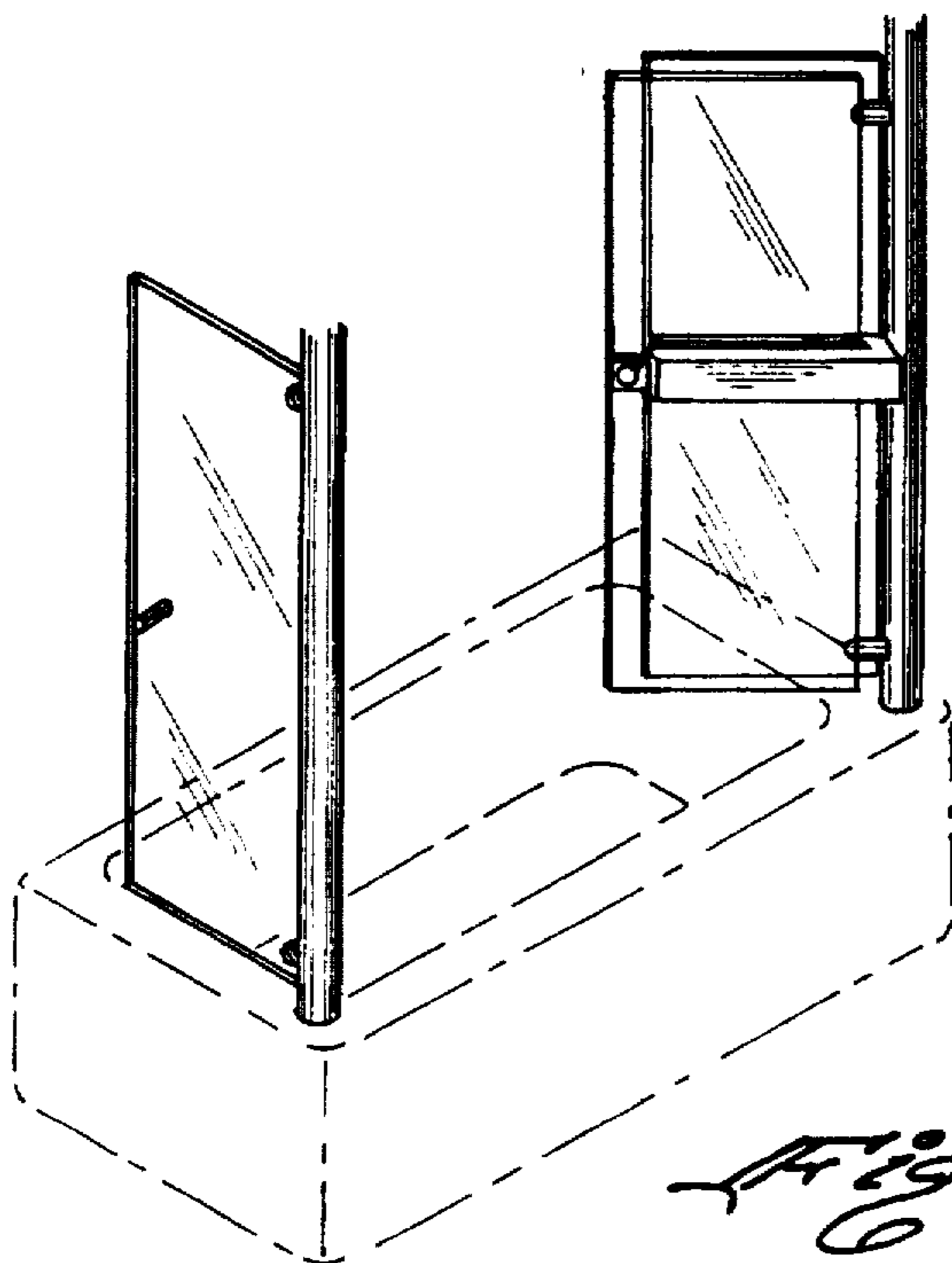


Fig 10

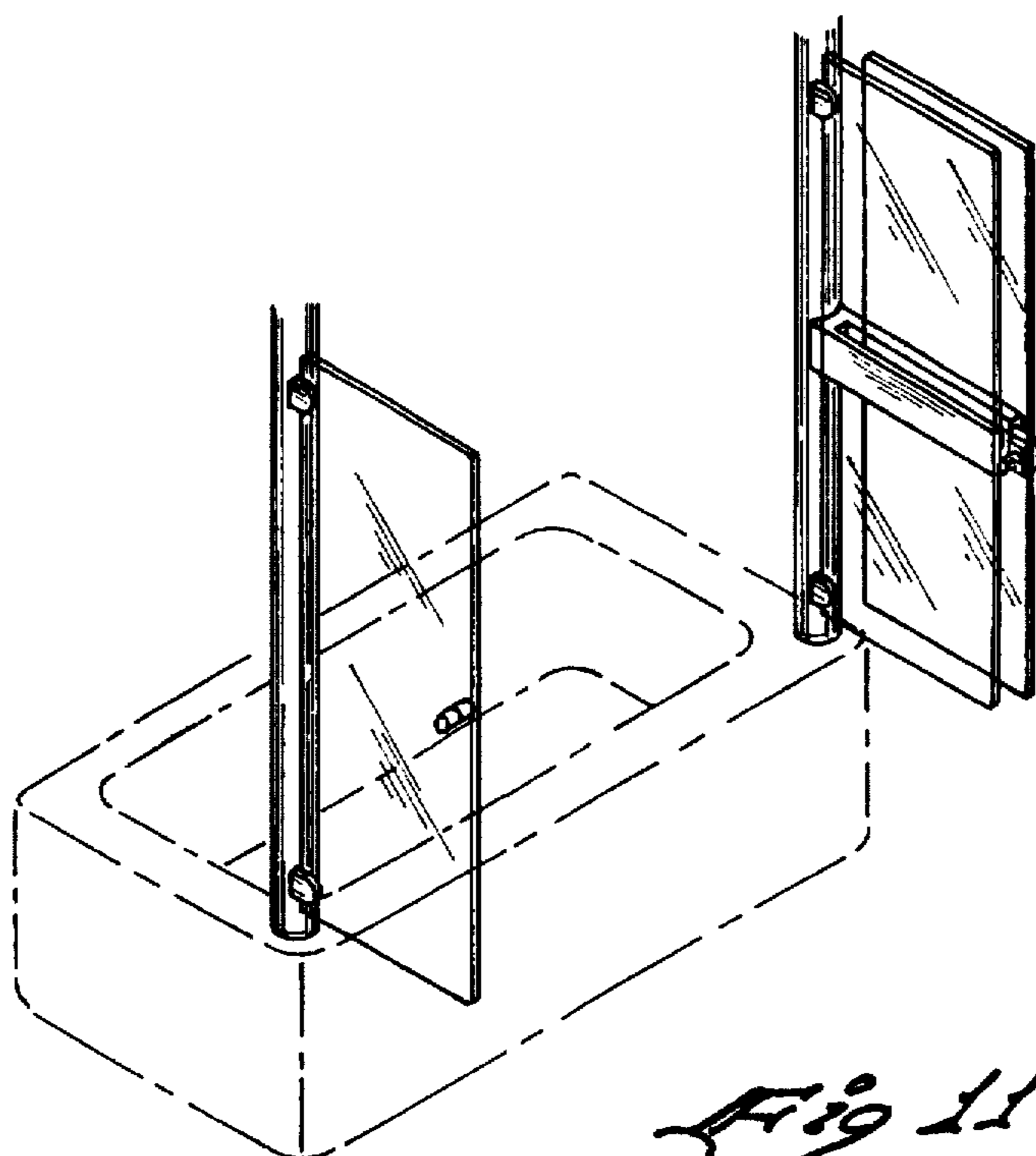


Fig 11

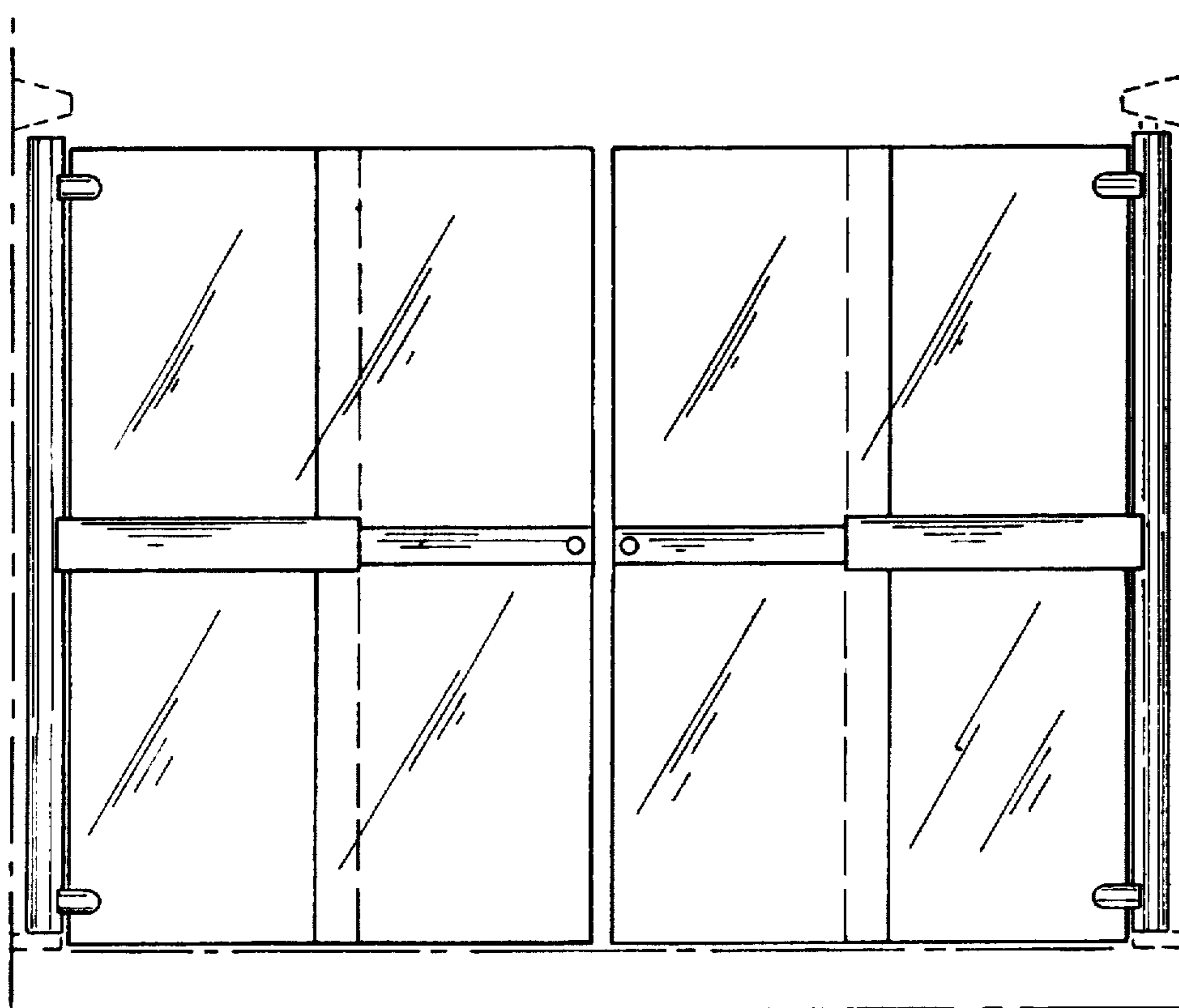


Fig 12

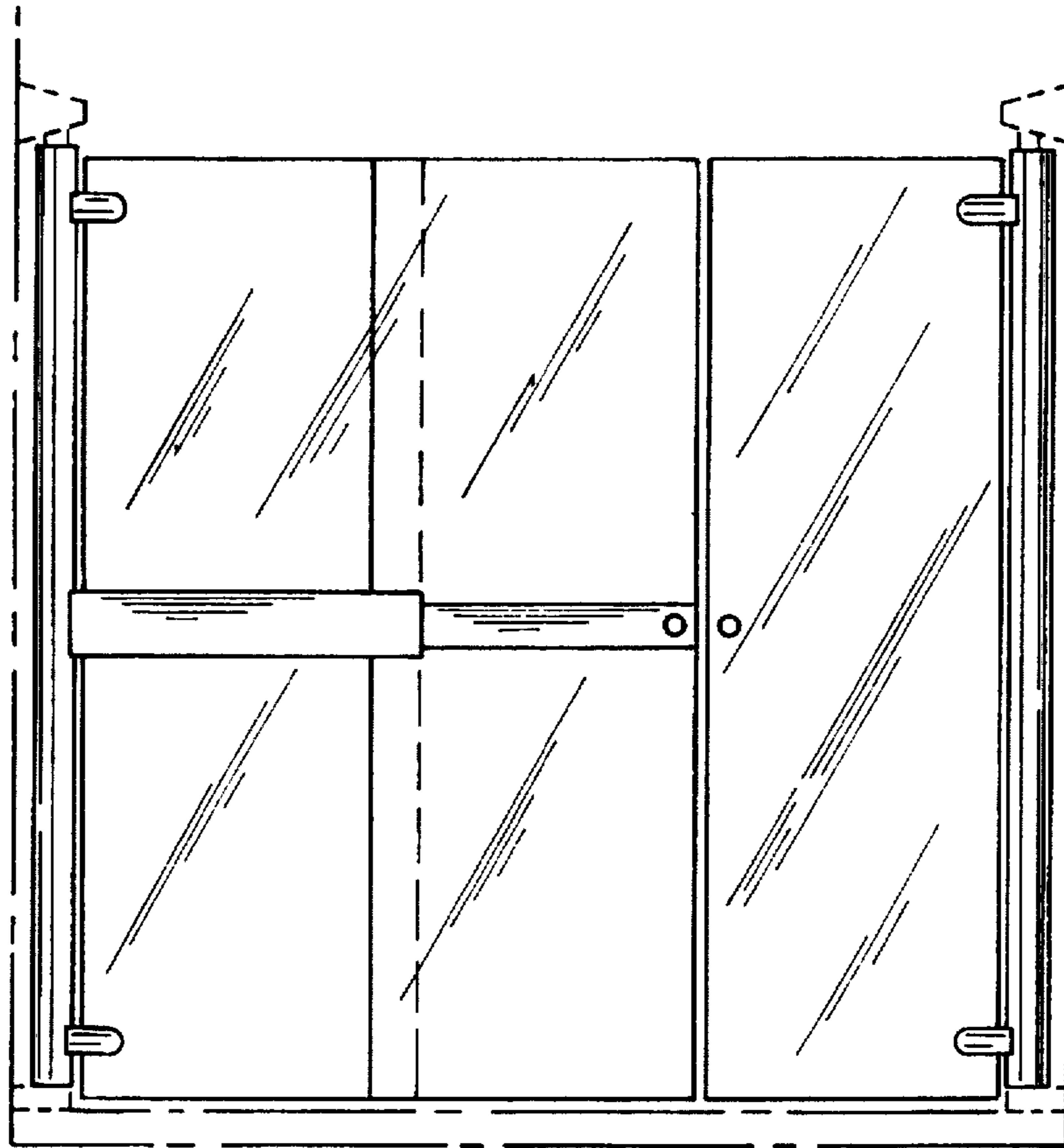


Fig 13