

US00D397413S

**United States Patent** [19]  
**Sapp**

[11] **Patent Number: Des. 397,413**

[45] **Date of Patent: \*\*Aug. 25, 1998**

[54] **PIPE FITTING**

[76] **Inventor: Paul S. Sapp, 1143 E. Rovey, Phoenix, Ariz. 85014**

[\*\*] **Term: 14 Years**

[21] **Appl. No.: 80,732**

[22] **Filed: Dec. 15, 1997**

[51] **LOC (6) Cl. .... 23-01**

[52] **U.S. Cl. .... D23/262**

[58] **Field of Search ..... D23/259-269; 285/256-331**

[56] **References Cited**

**U.S. PATENT DOCUMENTS**

D. 234,847	4/1975	Hoffman	.....	D23/262
D. 258,526	3/1981	Nederman	.....	D23/262
D. 283,342	4/1986	Tisserat et al.	.....	D23/262
D. 314,814	2/1991	Zubeck	.....	D23/262
D. 320,841	10/1991	Breadmont	.....	D23/262
D. 332,481	1/1993	Petty et al.	.....	D23/262

*Primary Examiner*—Marcus A. Jackson  
*Attorney, Agent, or Firm*—Warren F. B. Lindsley

[57] **CLAIM**

The ornamental design for the pipe fitting, as shown and described.

**DESCRIPTION**

FIG. 1 is a perspective view from the top, front and left side of a pipe fitting showing my new design;

FIG. 2 is a front elevational view of FIG. 1;

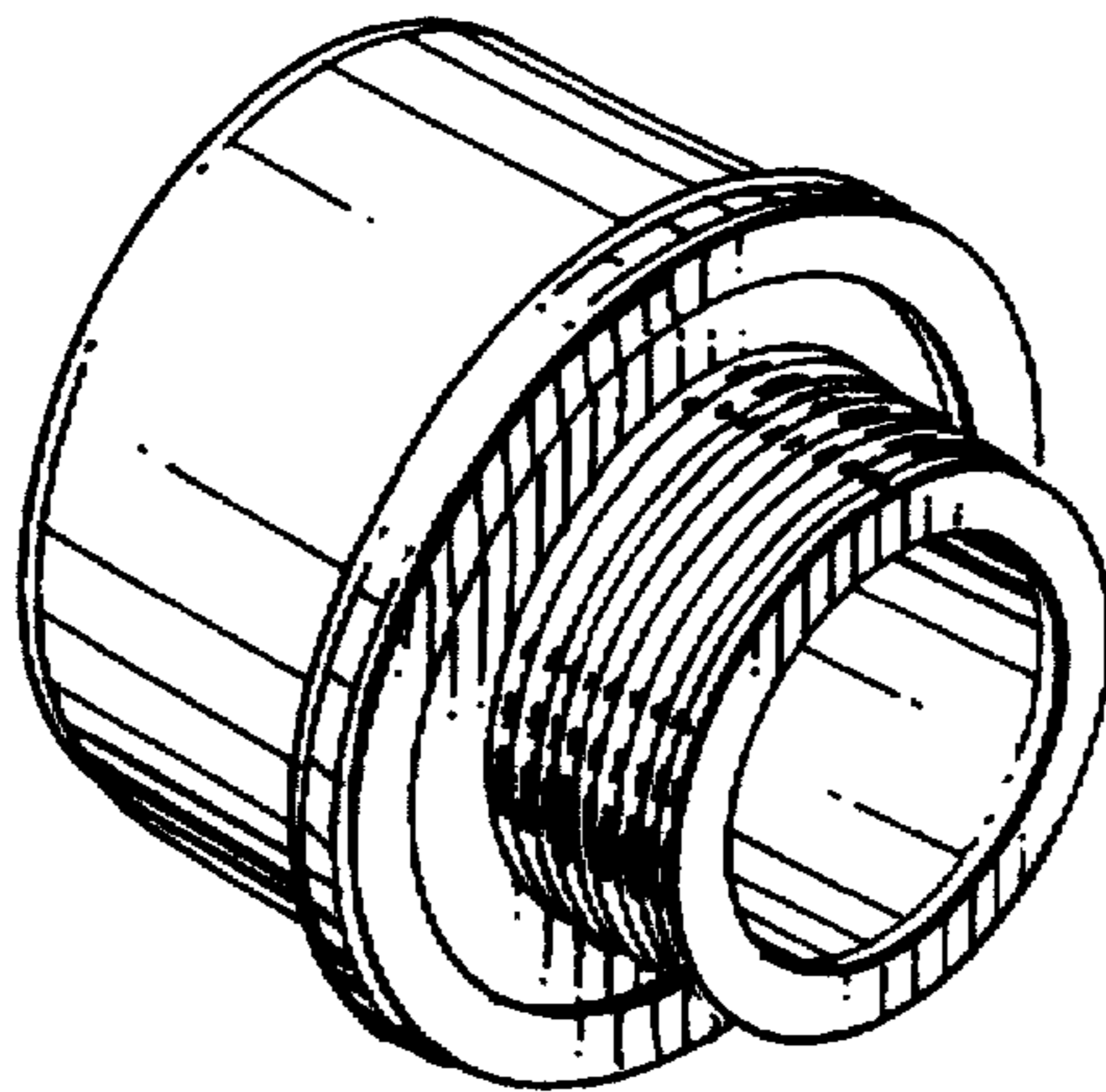
FIG. 3 is a rear elevational view of the pipe fitting shown in FIG. 1;

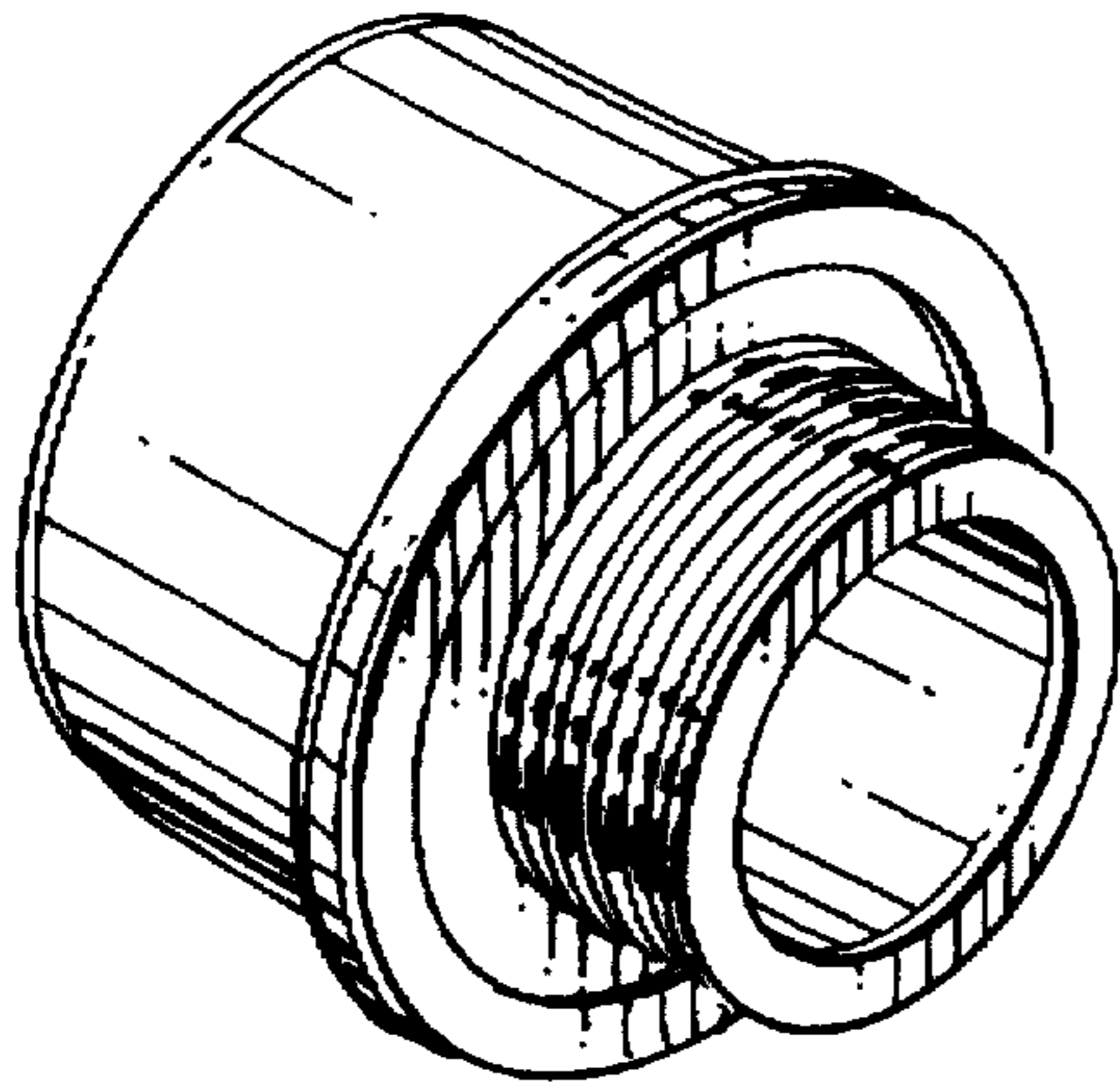
FIG. 4 is a right side elevational view of the pipe fitting shown in FIG. 1 with the left side being a mirror image thereof;

FIG. 5 is a sectional rear elevation view of FIG. 3 taken along line 5—5; and,

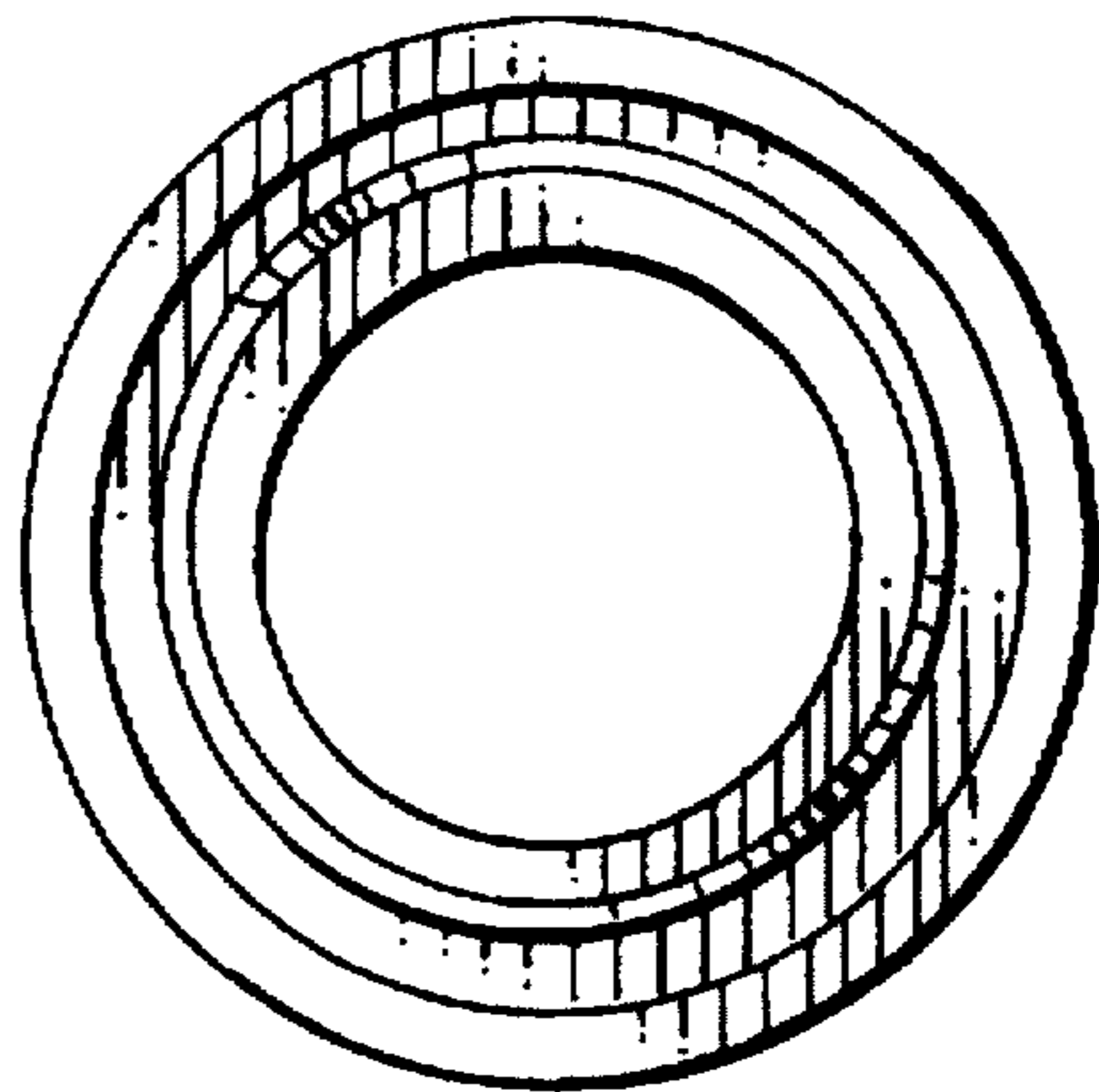
FIG. 6 is a top plan view of FIG. 1 with the bottom plan view being a mirror image thereof.

**1 Claim, 1 Drawing Sheet**

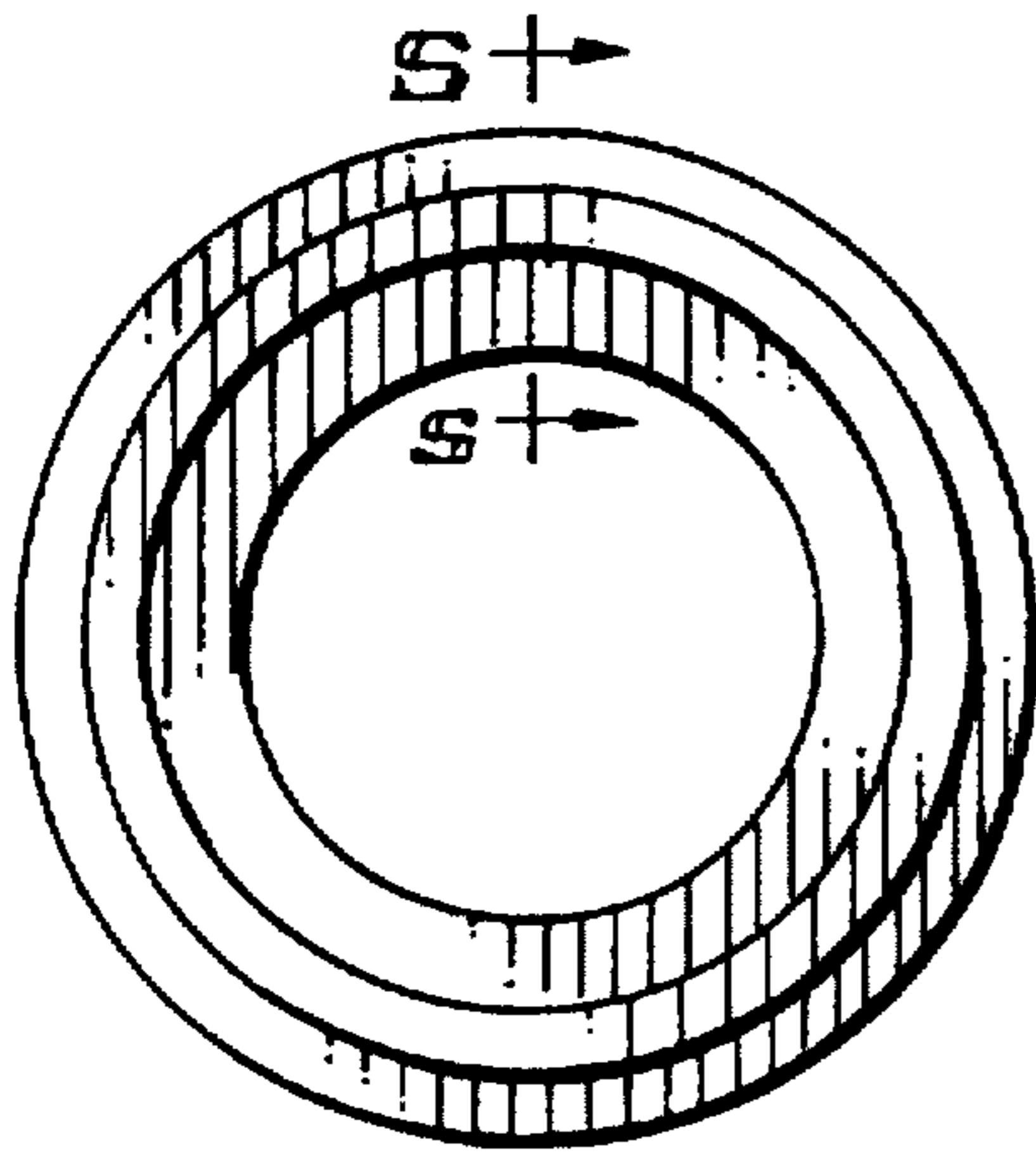




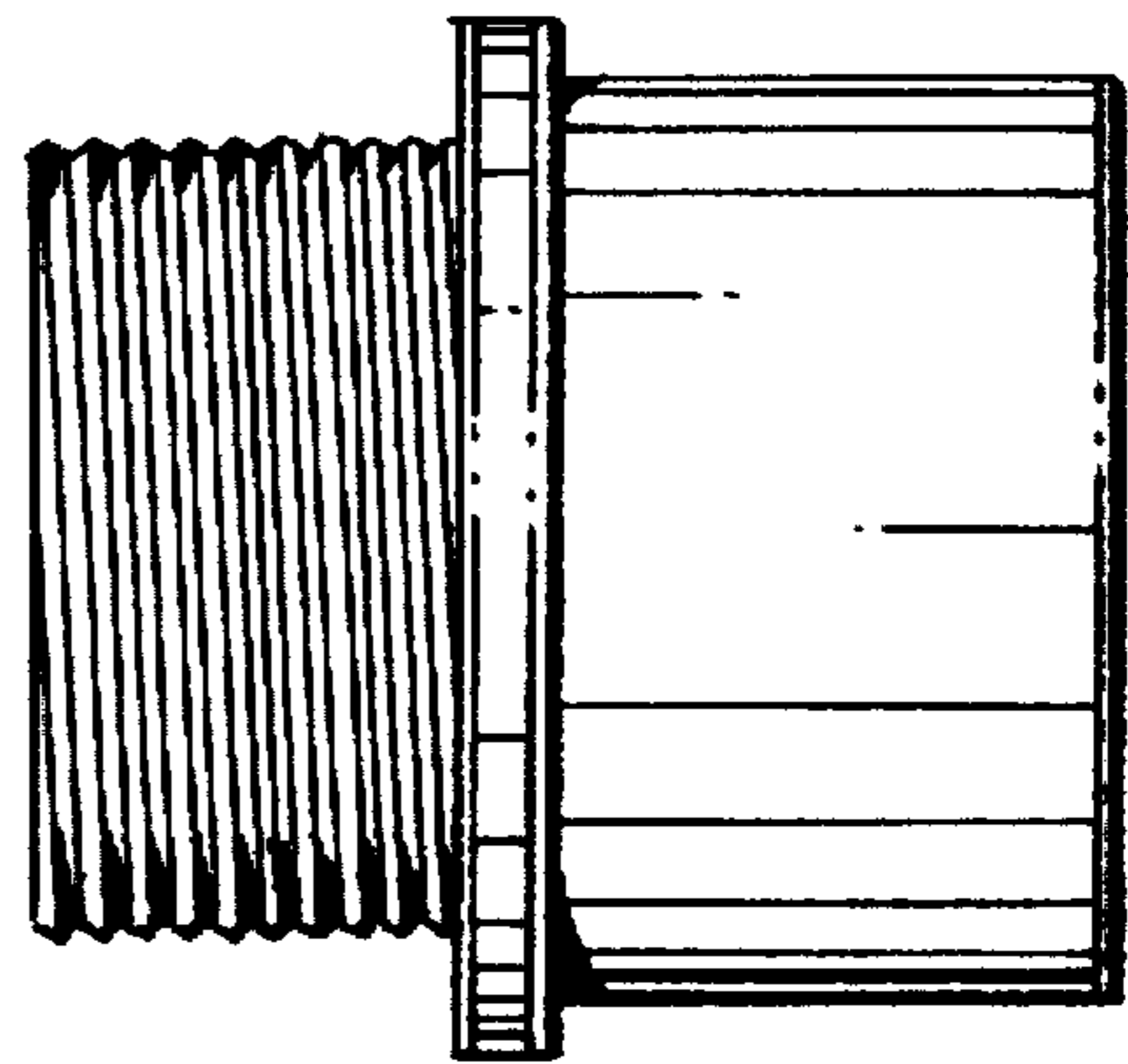
*FIG. 1*



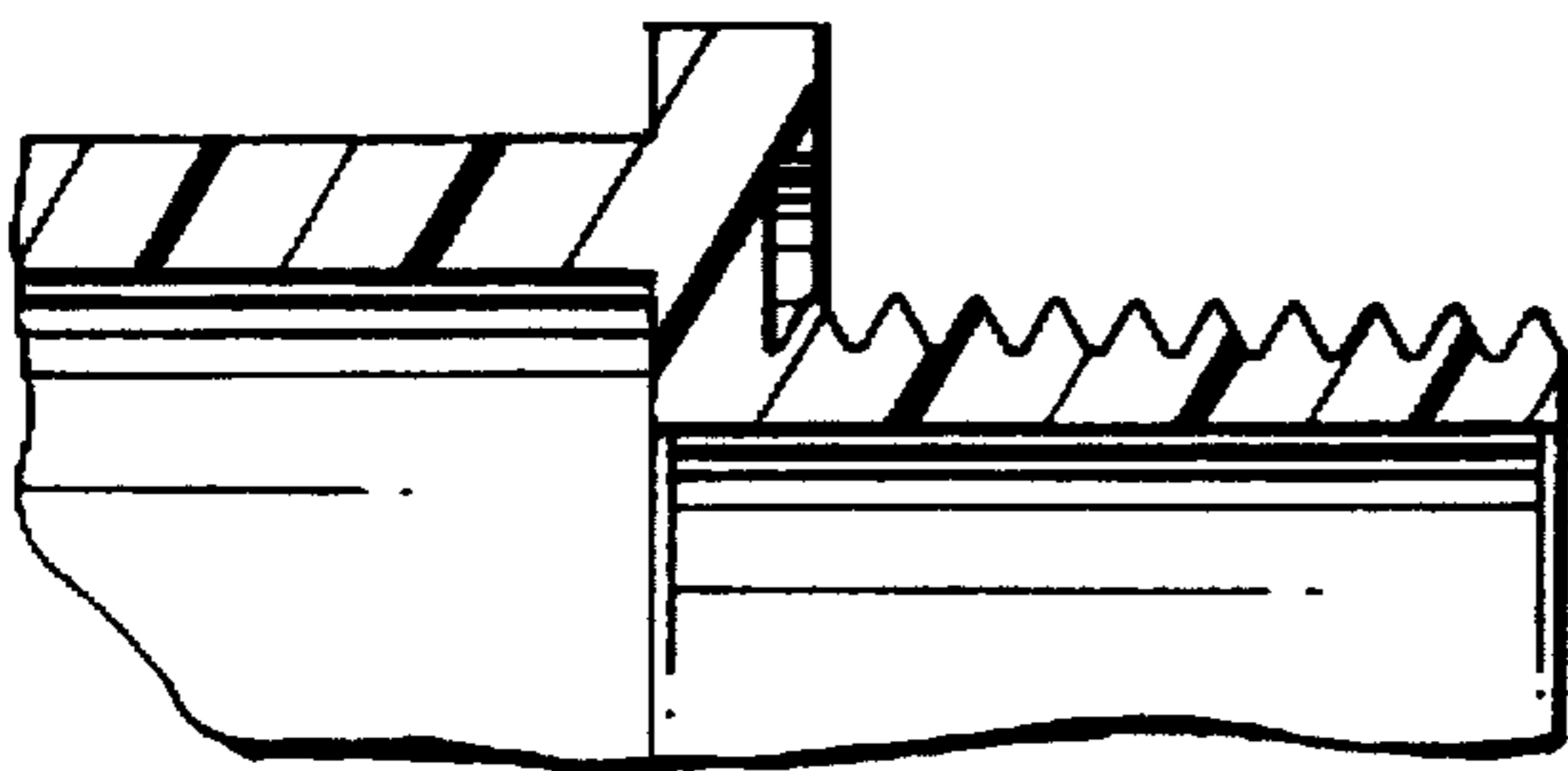
*FIG. 2*



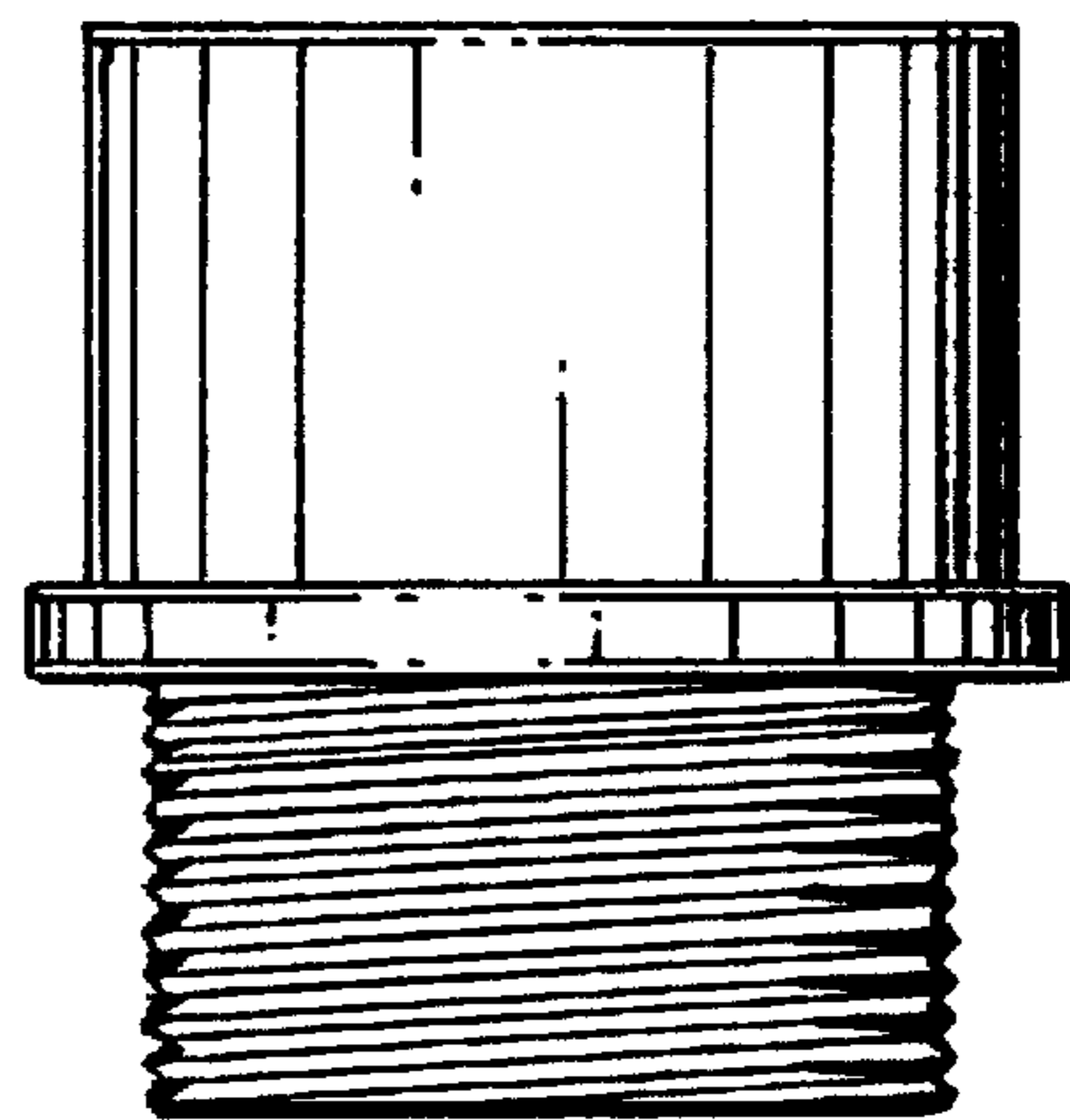
*FIG. 3*



*FIG. 4*



*FIG. 5*



*FIG. 6*