



US00D397412S

# United States Patent [19]

Slothower et al.

[11] Patent Number: Des. 397,412

[45] Date of Patent: \*\*Aug. 25, 1998

[54] HANDLE FOR A PLUMBING FITTING

[75] Inventors: **Erich D. Slothower**, Sheboygan;  
**Carter J. Thomas**, Port Washington,  
both of Wis.

[73] Assignee: **Kohler Co.**, Kohler, Wis.

[\*\*] Term: **14 Years**

[21] Appl. No.: **64,984**

[22] Filed: **Jan. 17, 1997**

[51] LOC (6) CL ..... **23-01**

[52] U.S. CL ..... **D23/250**

[58] Field of Search ..... D23/238-243,  
D23/250-257; D8/308, 309, 310; 4/675-678;  
137/801

[56] **References Cited**

**U.S. PATENT DOCUMENTS**

D. 221,431	8/1971	Petterson .....	D23/252
D. 227,466	6/1973	Genaro .....	D23/252
D. 297,257	8/1988	Kohler, Jr. et al. ....	D23/252
D. 324,412	3/1992	Bonnell .....	D23/252

**OTHER PUBLICATIONS**

1987 Toto ad showing a TK233 handle.  
Undated photo showing Delta faucet and handle, admitted  
prior art.

*Primary Examiner*—Stella Reid  
*Assistant Examiner*—Eric Watterson  
*Attorney, Agent, or Firm*—Quarles & Brady

[57] **CLAIM**

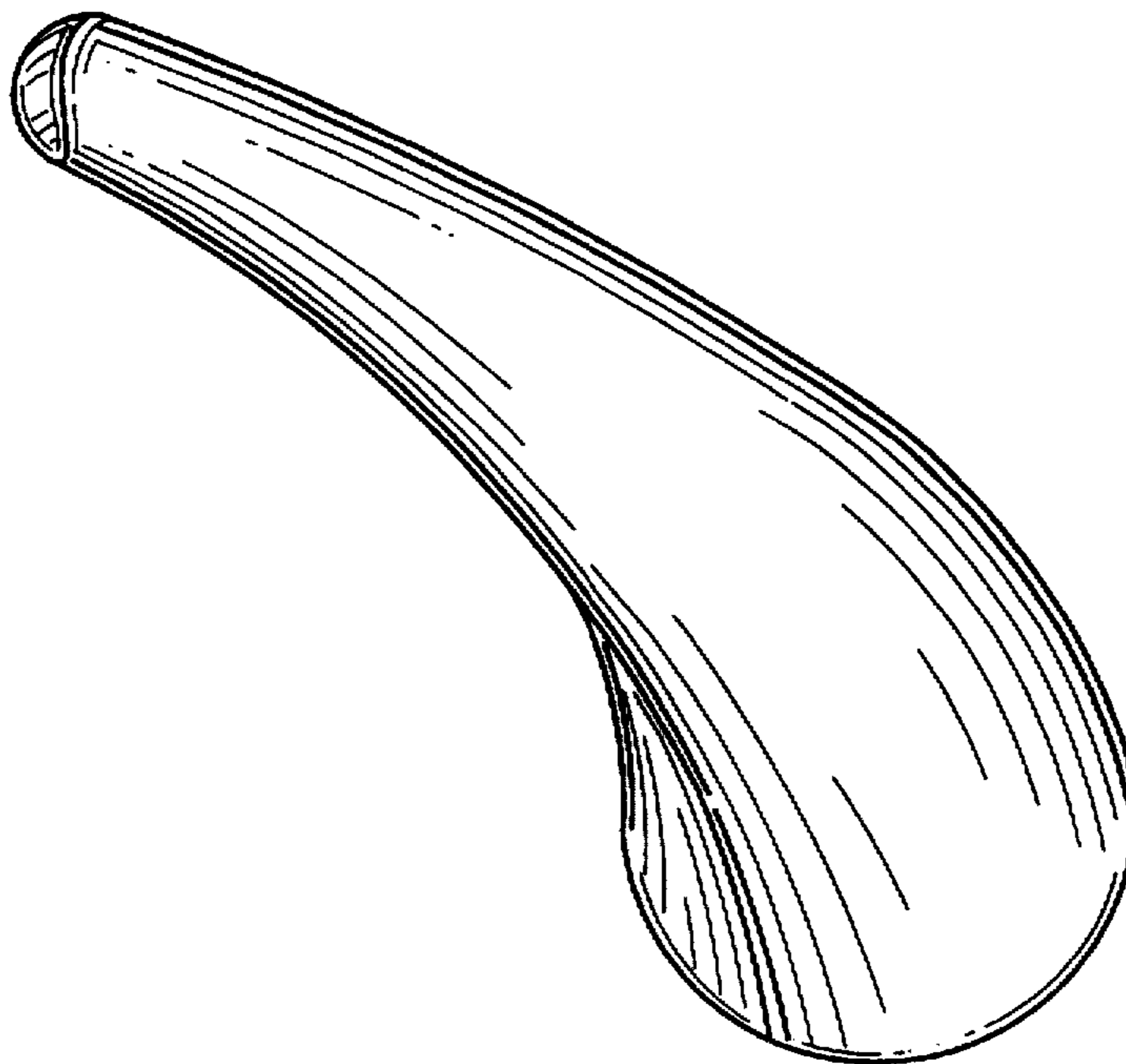
The ornamental design for a handle for a plumbing fitting,  
as shown and described.

**DESCRIPTION**

FIG. 1 is a right, top and rear perspective view of a handle  
for a plumbing fitting embodying our new design;  
FIG. 2 is a left side elevational view thereof; the right side  
elevational view being a mirror image of the left side shown;  
FIG. 3 is a front elevational view thereof;  
FIG. 4 is a rear elevational view thereof;  
FIG. 5 is a top plan view thereof; and,  
FIG. 6 is a bottom plan view thereof.

The broken line representations of a hole in FIGS. 3 and 6  
and of a mounting socket in FIG. 6 are for purposes of  
illustration only, and form no part of the claimed design.

**1 Claim, 2 Drawing Sheets**



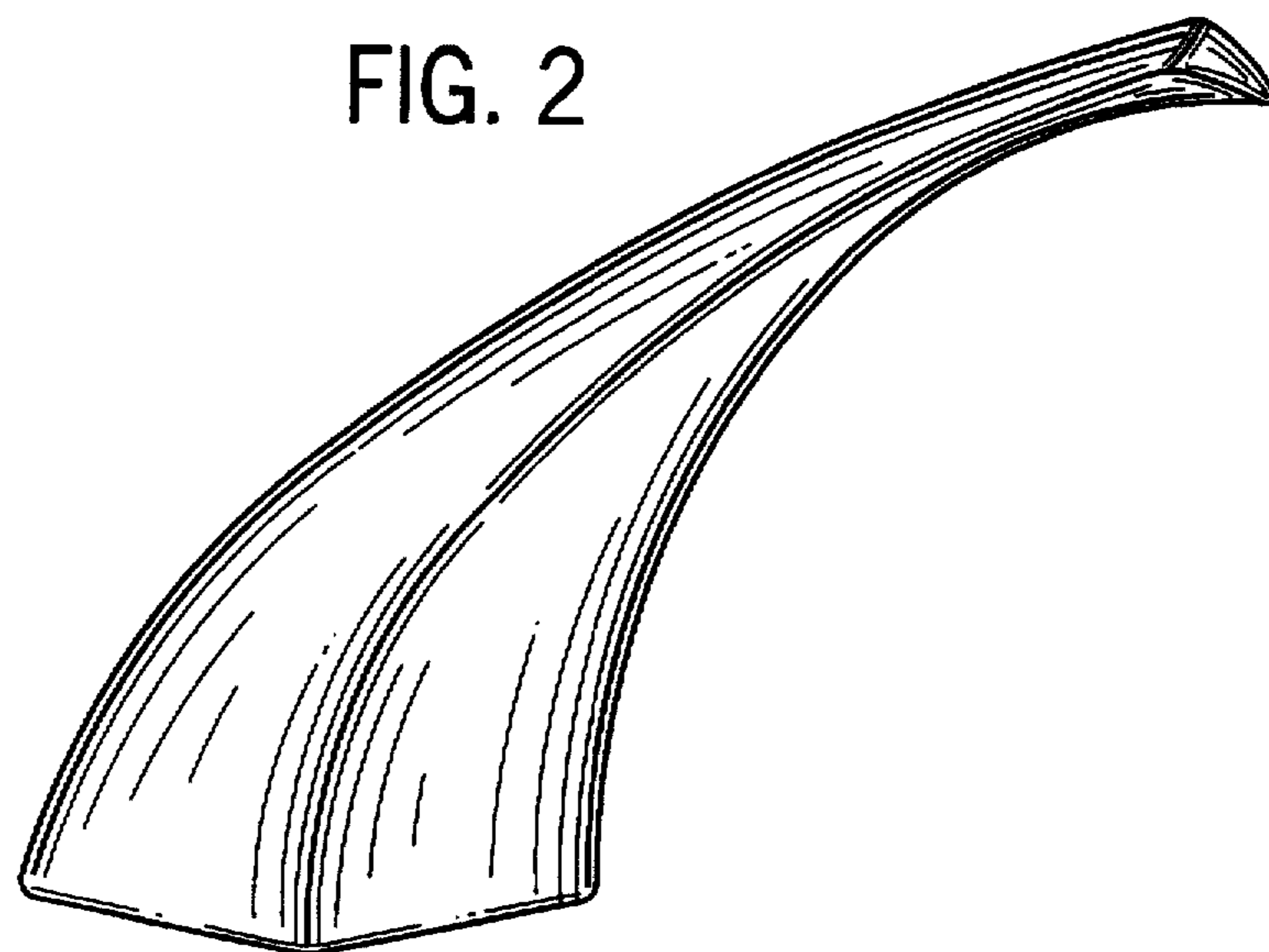
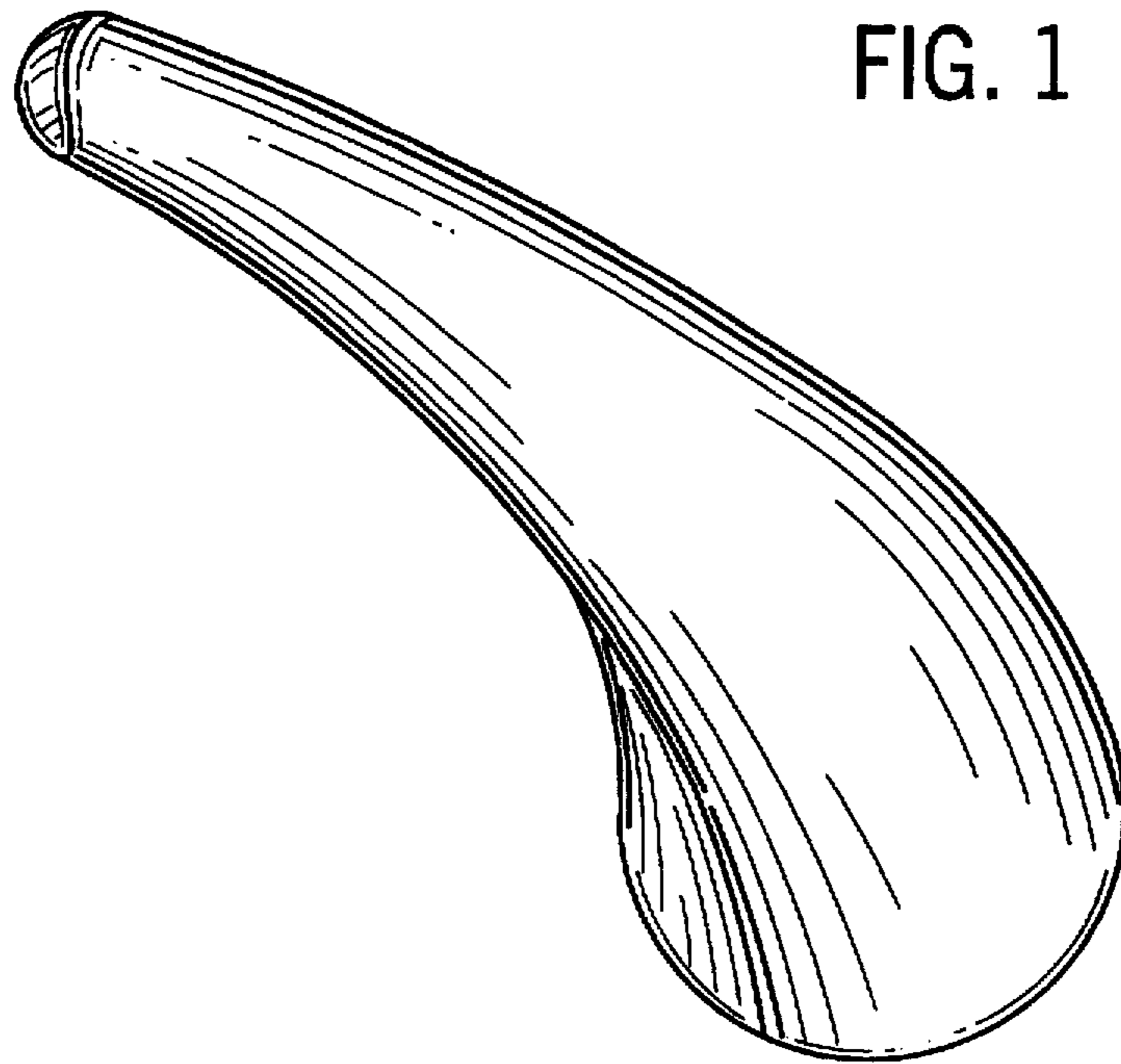


FIG. 3

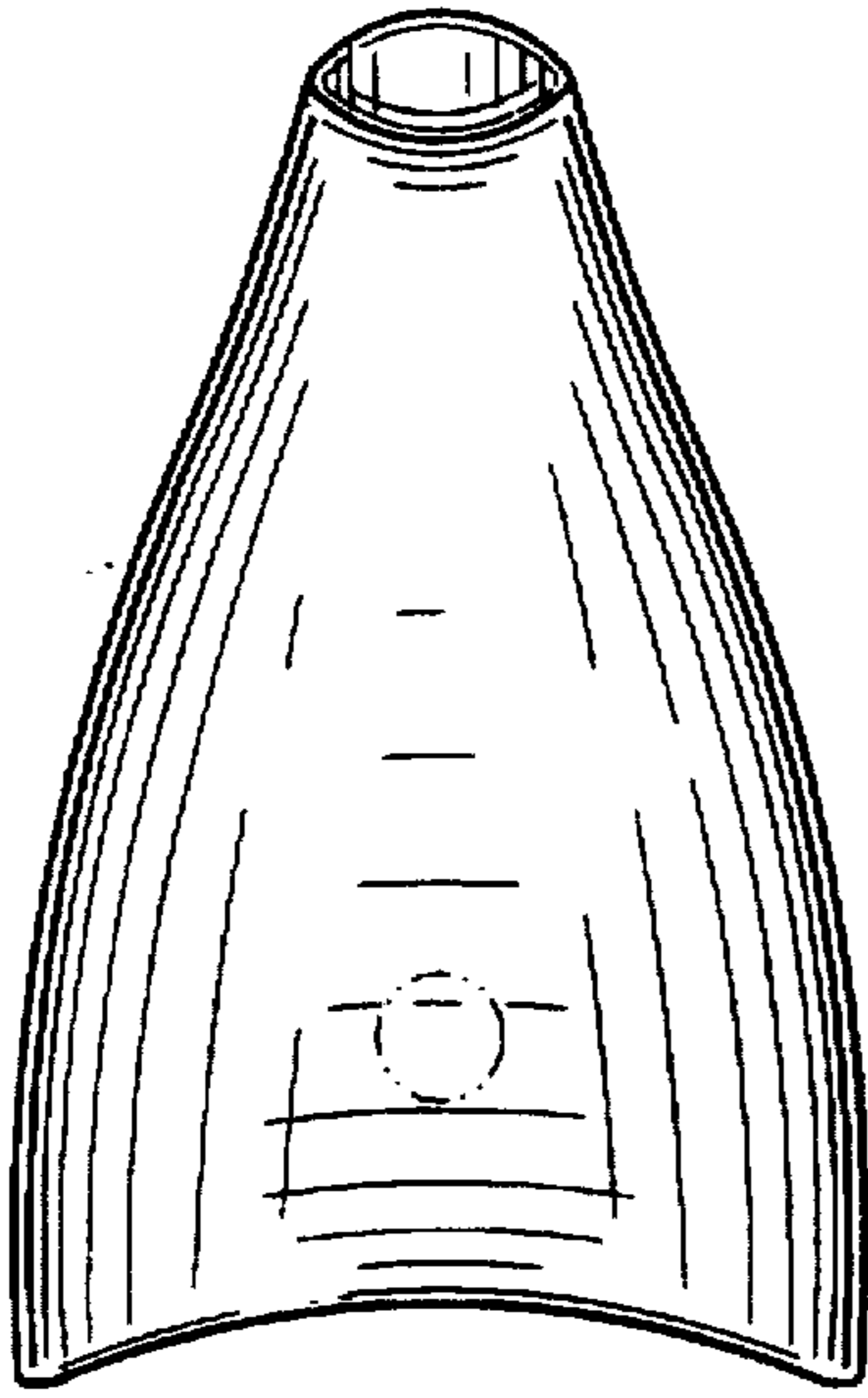


FIG. 4

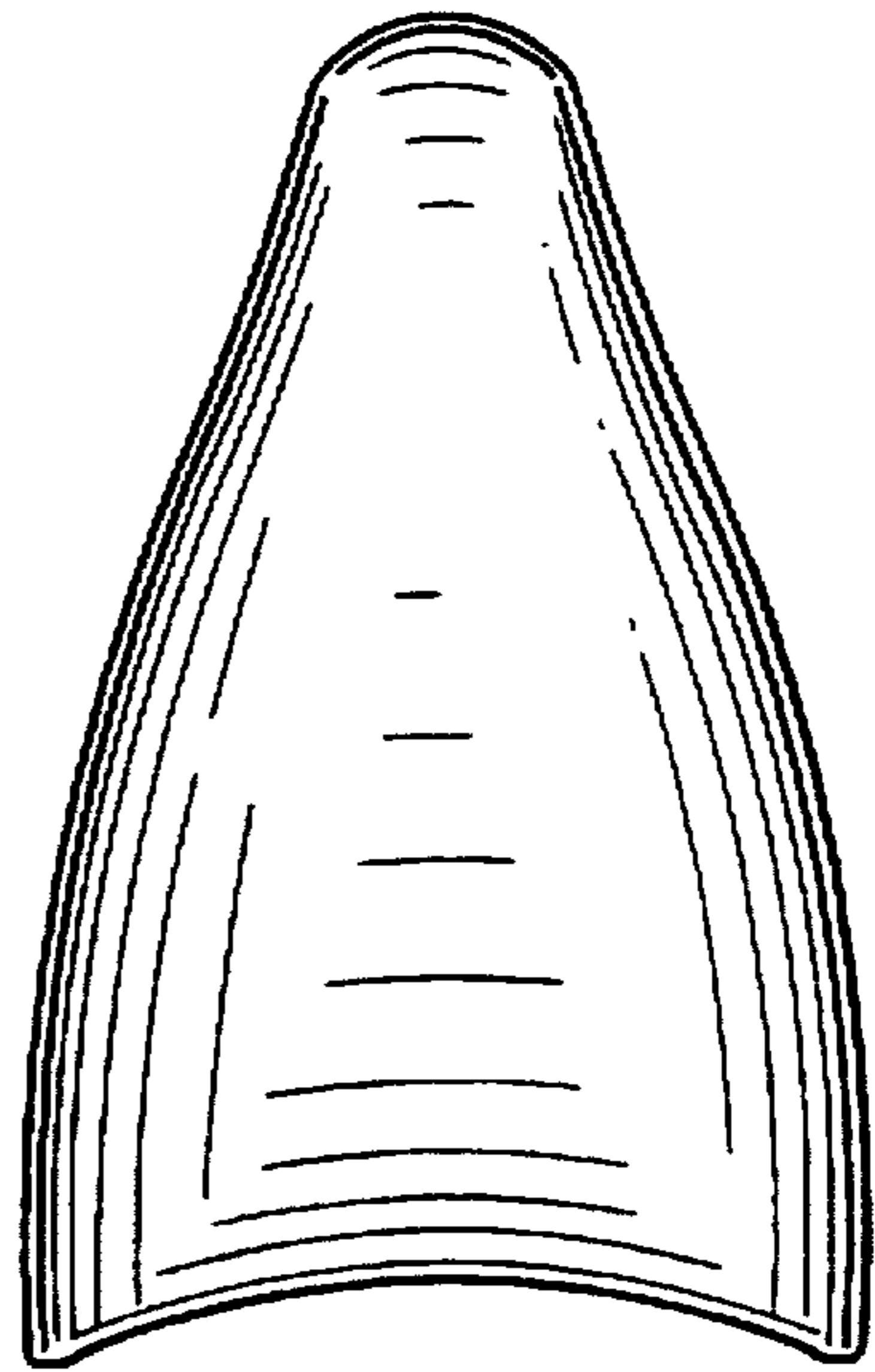


FIG. 5

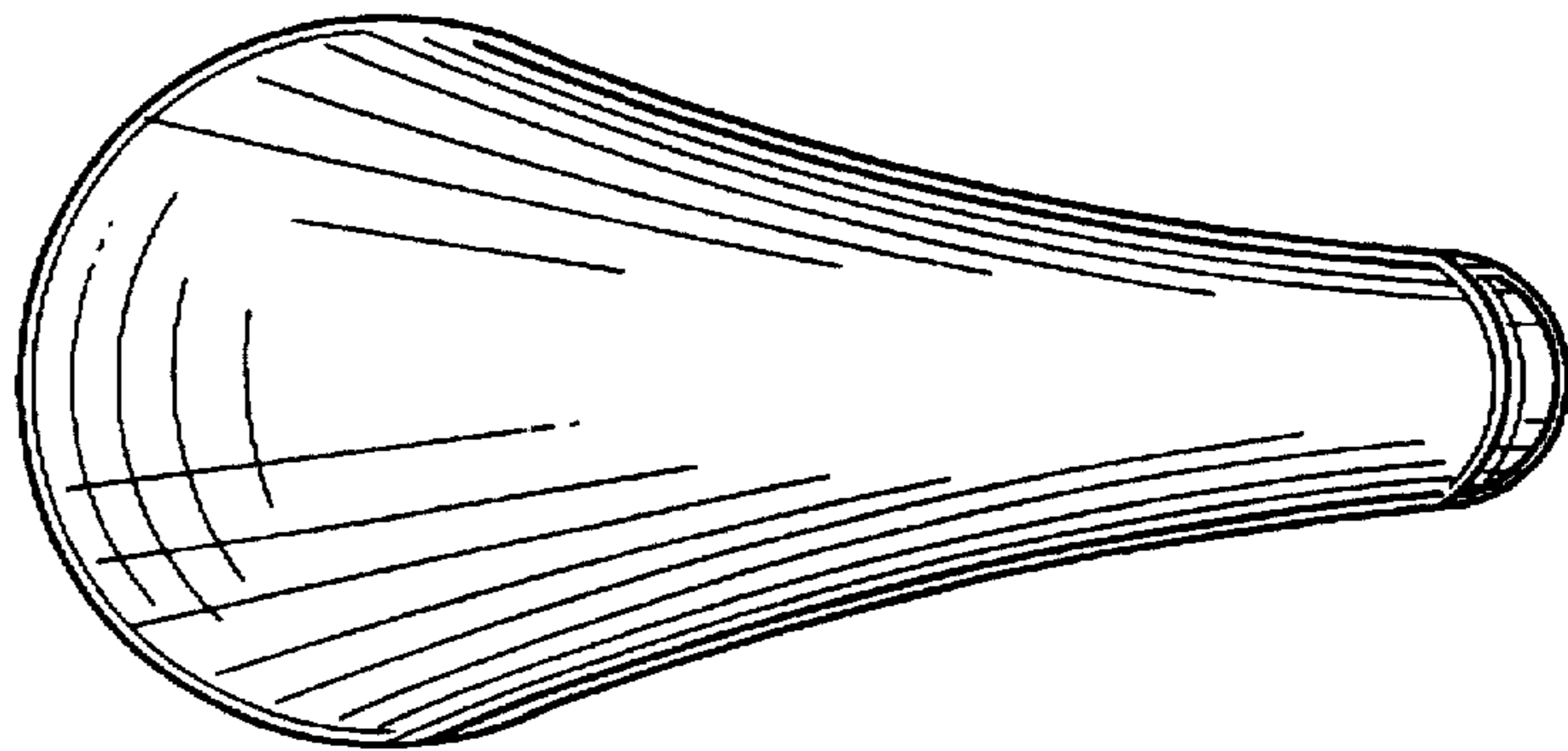


FIG. 6

