



US00D397411S

# United States Patent [19]

[11] Patent Number: **Des. 397,411**

Alvern

[45] Date of Patent: **\*\*Aug. 25, 1998**

[54] **SUPPORT MEMBER FOR FUEL FILLER GUN DISPLAY**

[75] Inventor: **Stein Alvern, Houston, Tex.**

[73] Assignee: **Alvern-Norway A/S, Norway**

[\*\*] Term: **14 Years**

[21] Appl. No.: **74,778**

[22] Filed: **Aug. 11, 1997**

### Related U.S. Application Data

[62] Division of Ser. No. 56,728, Jul. 8, 1996.

[51] LOC (6) Cl. .... **23-01**

[52] U.S. Cl. .... **D23/227**

[58] Field of Search ..... **D15/9.1; D23/213, D23/227; 137/377, 379; 141/52, 208, 209, 392**

### [56] References Cited

#### U.S. PATENT DOCUMENTS

- D. 173,006 9/1954 Anderson .
- D. 173,007 9/1954 Anderson .
- D. 177,538 4/1956 Sutcliffe ..... D23/227
- D. 177,597 5/1956 Sinclair ..... D23/227
- D. 177,648 5/1956 Sinclair ..... D23/227
- D. 182,400 4/1958 Boone ..... D23/227
- D. 279,483 7/1985 Goldman .
- D. 279,484 7/1985 Goldman .
- D. 358,452 5/1995 Karrick ..... D23/227
- D. 366,310 1/1996 Fell .

- 4,408,791 10/1983 Griffin et al. .
- 4,465,209 8/1984 Wilder .
- 4,690,182 9/1987 Knaus .
- 5,058,637 10/1991 Fell .
- 5,184,309 2/1993 Simpson et al. .
- 5,184,655 2/1993 Fell .

#### FOREIGN PATENT DOCUMENTS

- S-122642 2/1995 Australia .
- S-123343 5/1995 Australia .
- 0407271A1 1/1991 European Pat. Off. .
- 62-208396 9/1987 Japan .
- 850627 10/1992 Japan .
- 1393062 5/1975 United Kingdom .
- 2147273 5/1985 United Kingdom .
- WO 90/08375 7/1990 WIPO .

*Primary Examiner*—Ralf Seifert  
*Attorney, Agent, or Firm*—Finnegan, Henderson, Farabow, Garrett & Dunner, L.L.P.

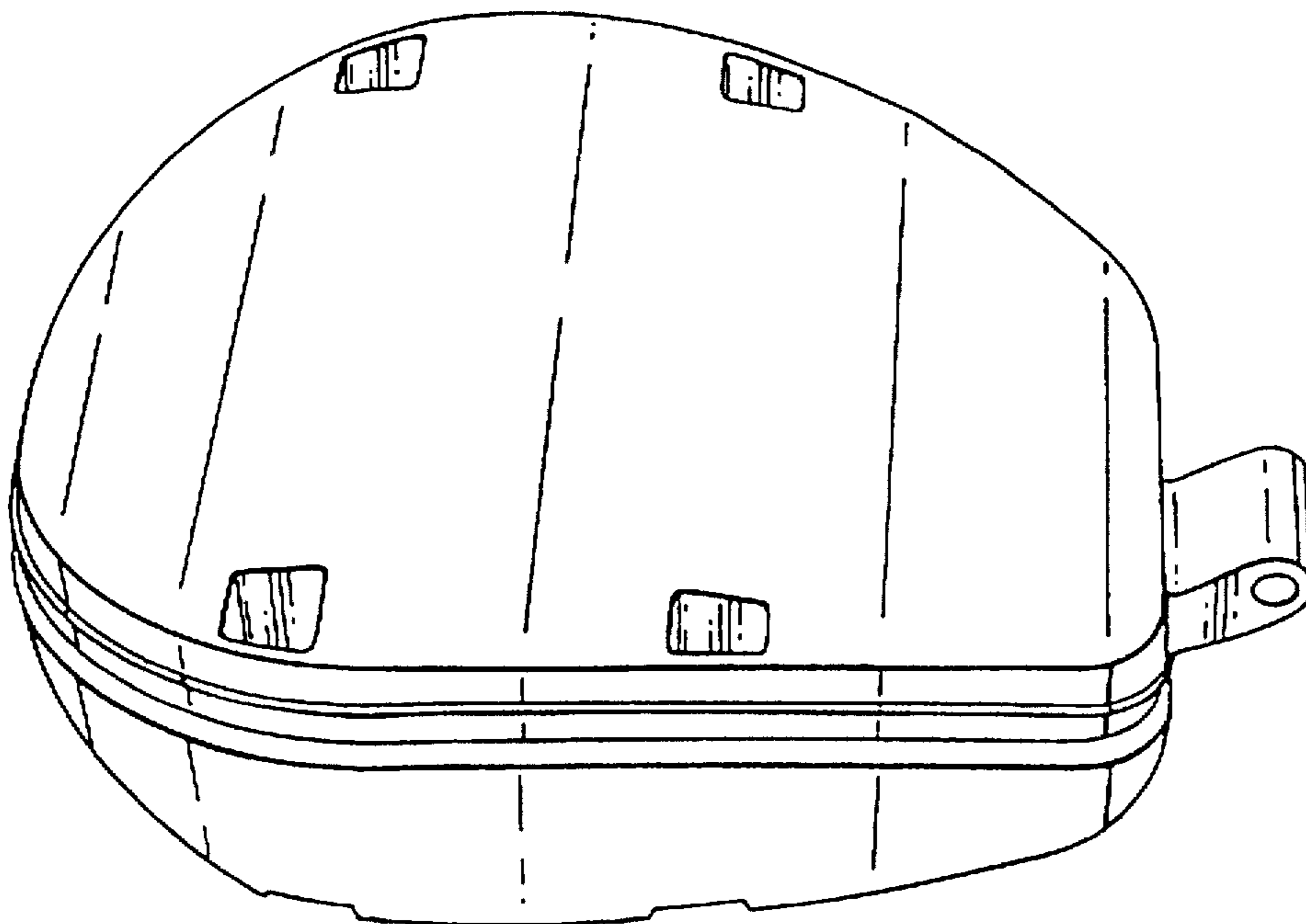
### [57] CLAIM

The ornamental design for a support member for fuel filler gun display, as shown and described.

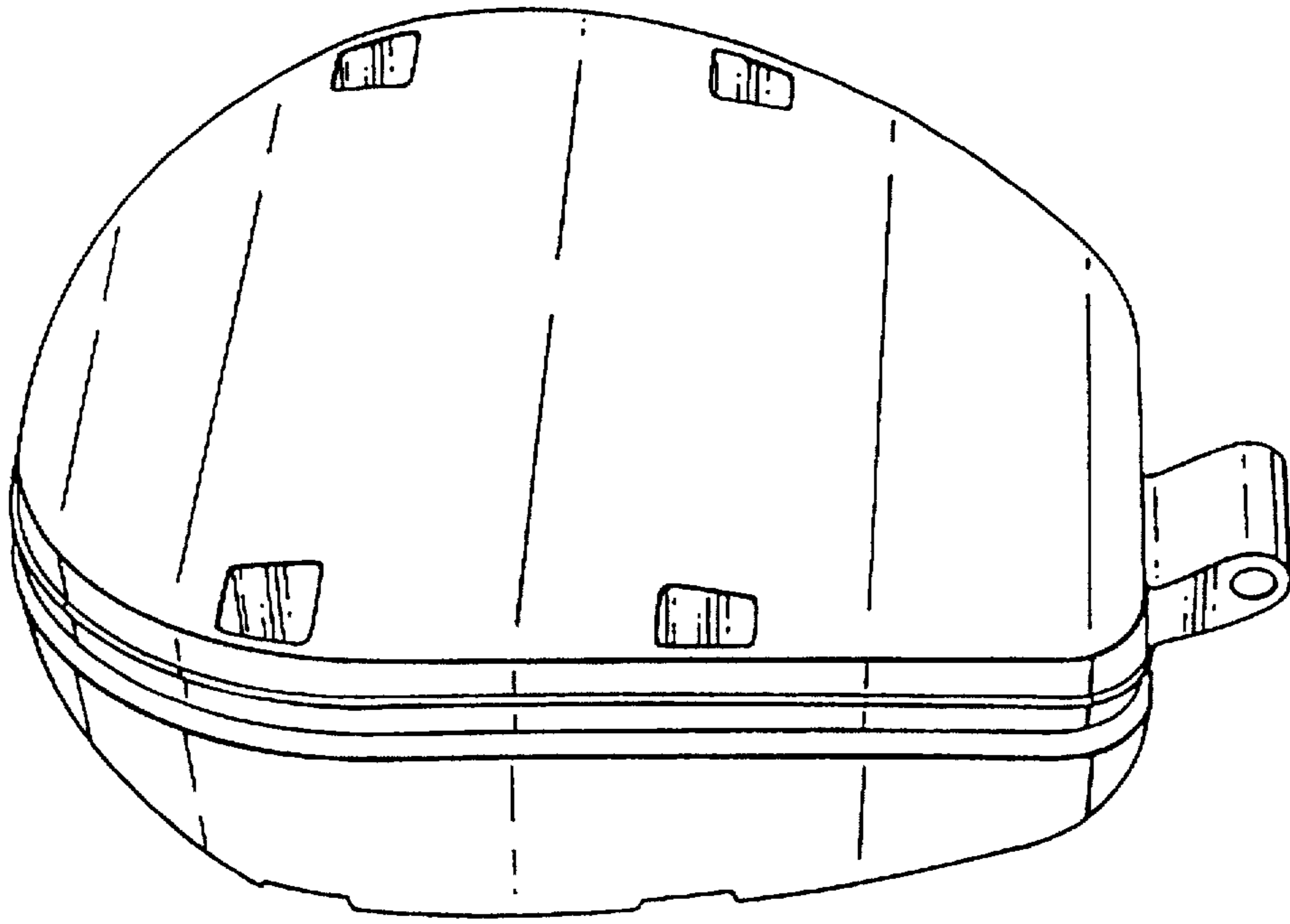
### DESCRIPTION

FIG. 1 is a top perspective view from one side of a support member for a display showing my new design; FIG. 2 is a bottom perspective view of FIG. 1; FIG. 3 is a bottom view of FIG. 1; FIG. 4 is a side view of FIG. 1; FIG. 5 is a rear view of FIG. 1; and, FIG. 6 is a front view of FIG. 1.

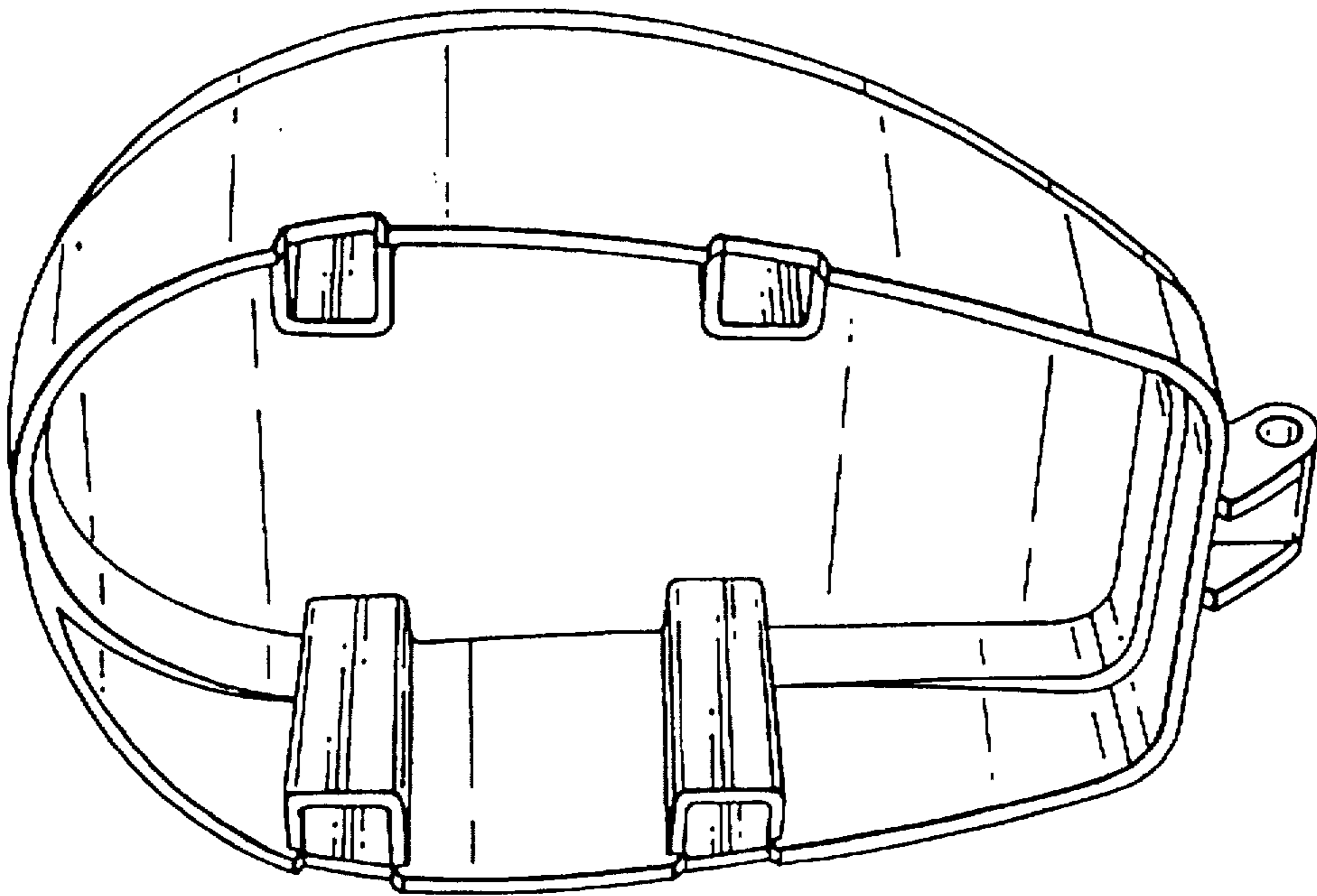
**1 Claim, 3 Drawing Sheets**



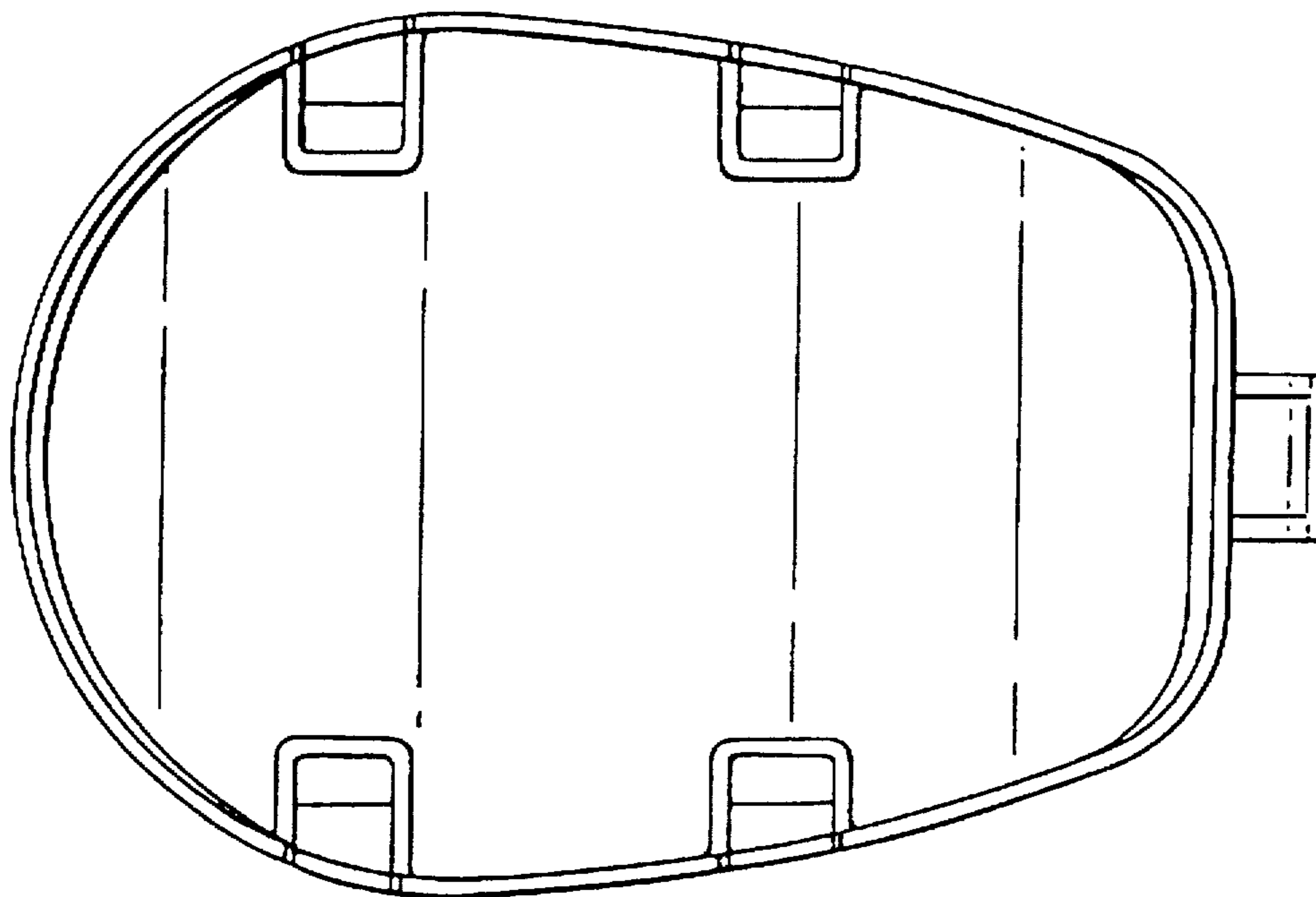
**FIG. 1**



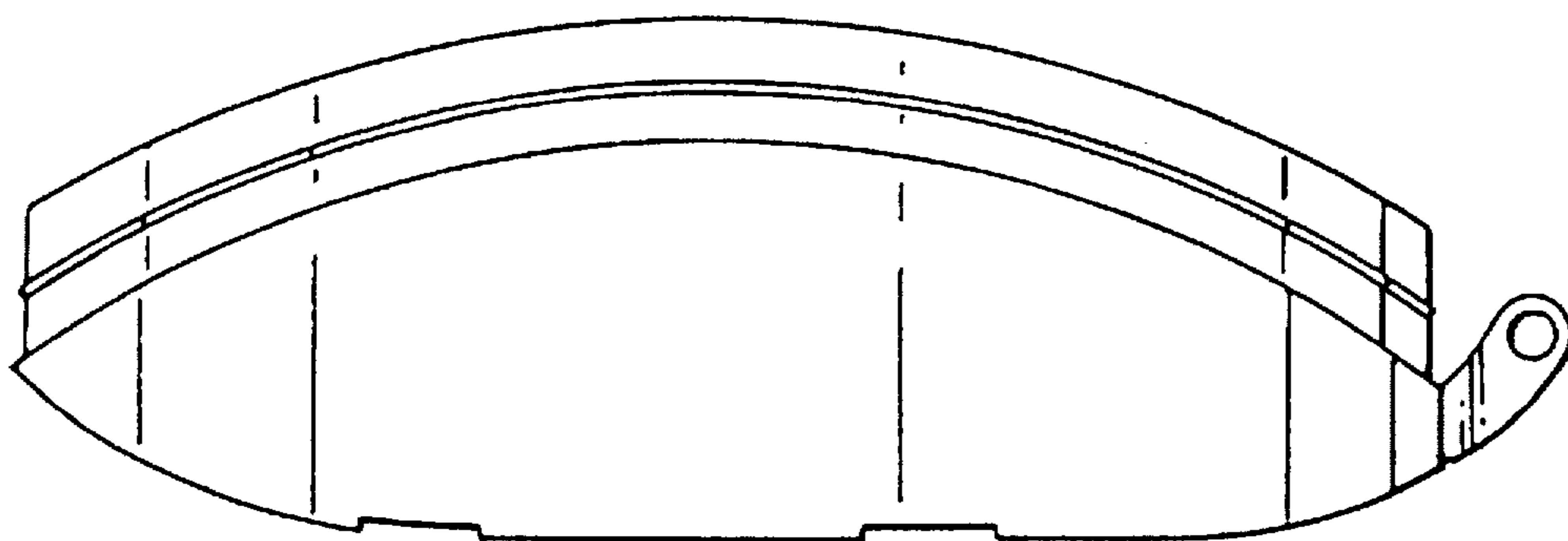
**FIG. 2**



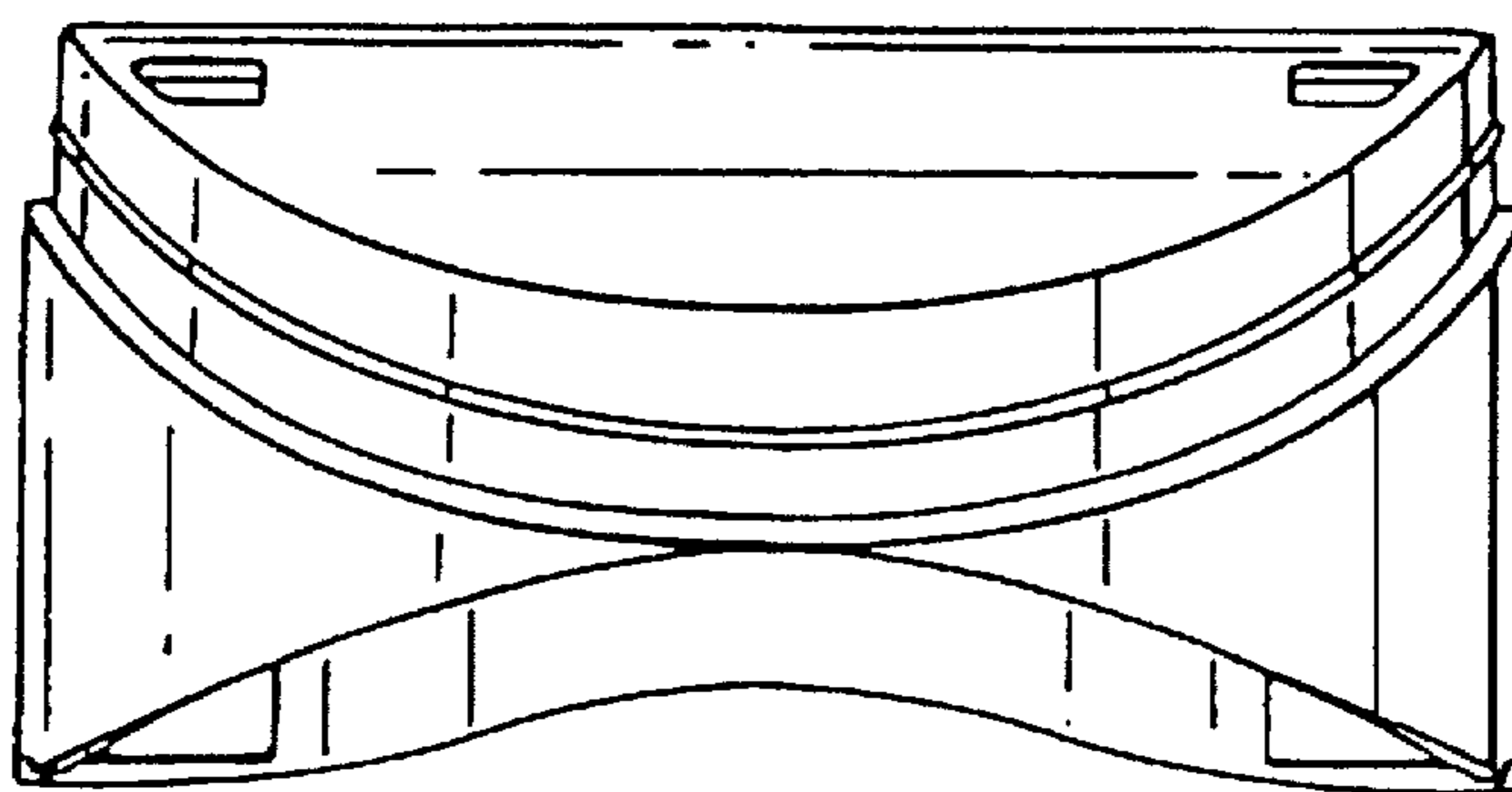
**FIG. 3**



**FIG. 4**



**FIG. 5**



**FIG. 6**

