



US00D397408S

United States Patent [19]

Baker et al.

[11] Patent Number: **Des. 397,408**

[45] Date of Patent: ****Aug. 25, 1998**

[54] **HAND HELD SPRAY GUN**

[75] Inventors: **David Robert Baker**, Guernsey, Channel Islands; **Jeffrey Philip Earp**, Solihull, Great Britain

[73] Assignee: **Abrasive Developments Limited**, Solihull, Great Britain

[**] Term: **14 Years**

[21] Appl. No.: **65,704**

[22] Filed: **Dec. 20, 1996**

[30] **Foreign Application Priority Data**

Jun. 27, 1996 [GB] United Kingdom 2057298

[51] LOC (6) Cl. **23-01**

[52] U.S. Cl. **D23/223**

[58] Field of Search D23/213, 223-229; 239/525, 526, 394, 459, 460, 301, 291

[56] **References Cited**

U.S. PATENT DOCUMENTS

D. 185,982 8/1959 Scully D23/226

D. 191,966 12/1961 Myers D23/223
D. 284,988 8/1986 Powell D23/223
4,955,546 9/1990 Liaw et al. 239/526

Primary Examiner—Alan P. Douglas
Assistant Examiner—Robin V. Taylor
Attorney, Agent, or Firm—Caesar, Rivise, Bernstein, Cohen & Pokotilow, Ltd.

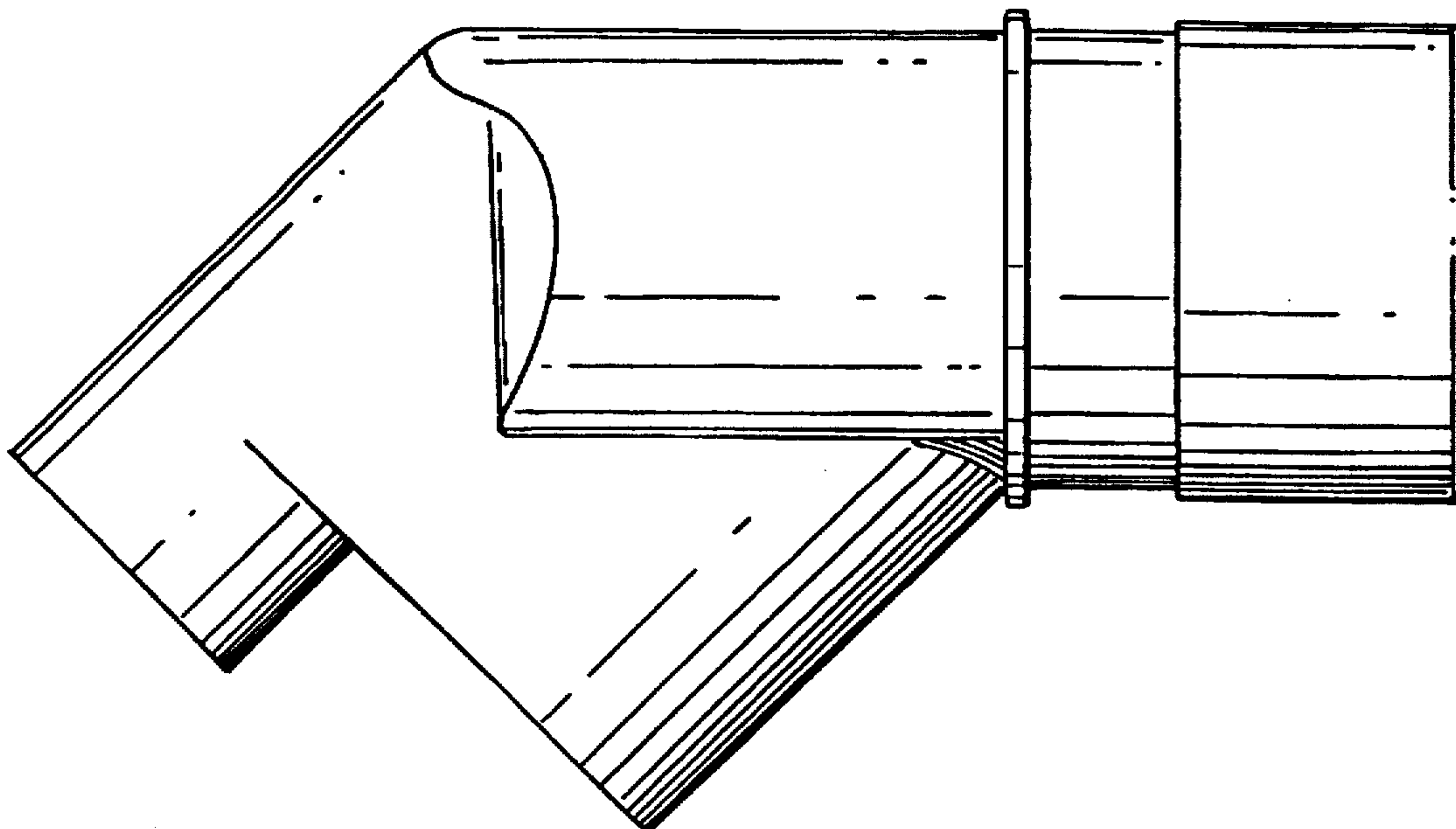
[57] **CLAIM**

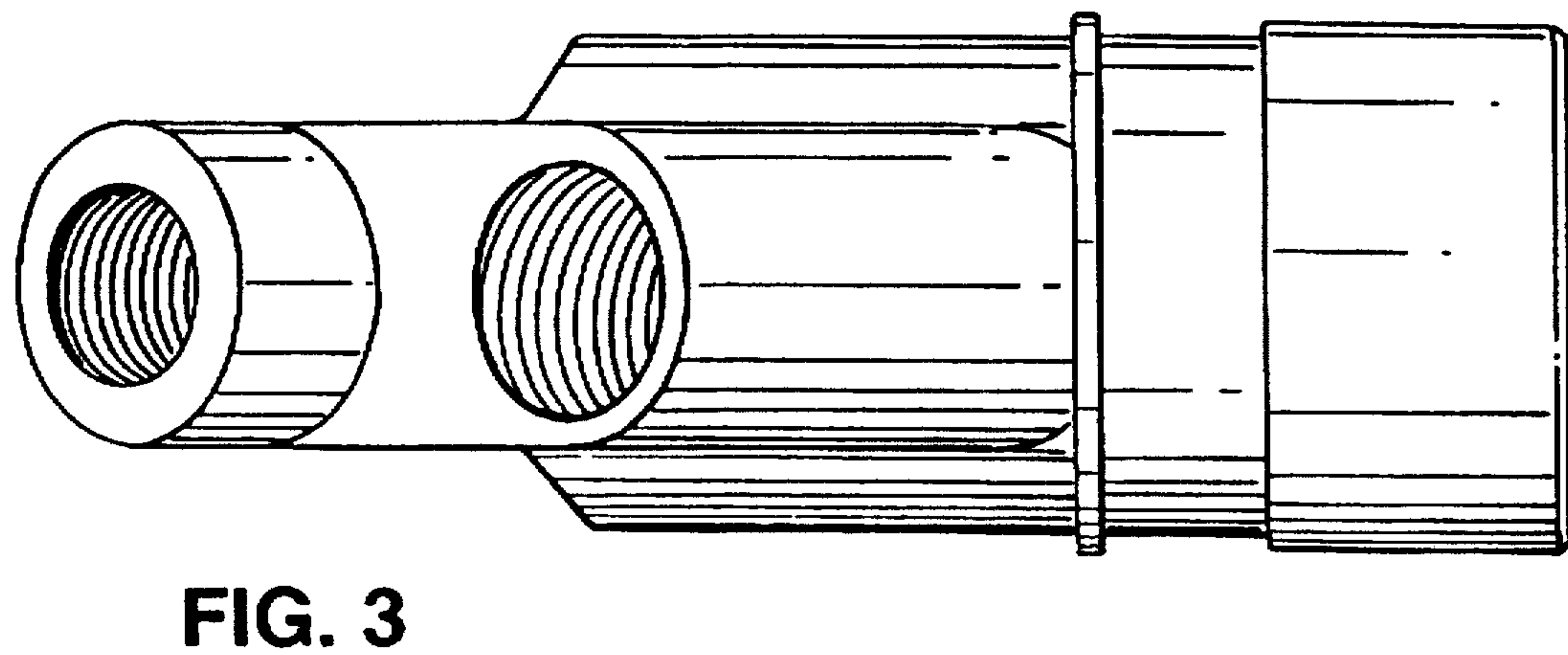
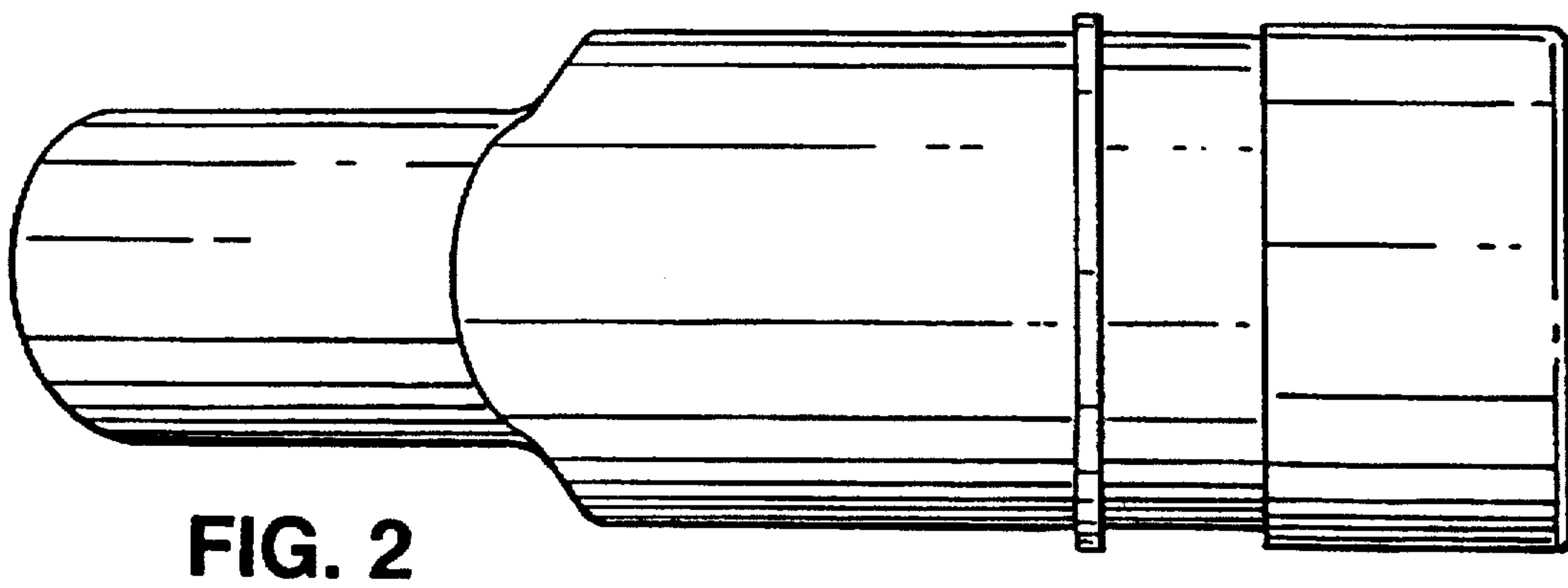
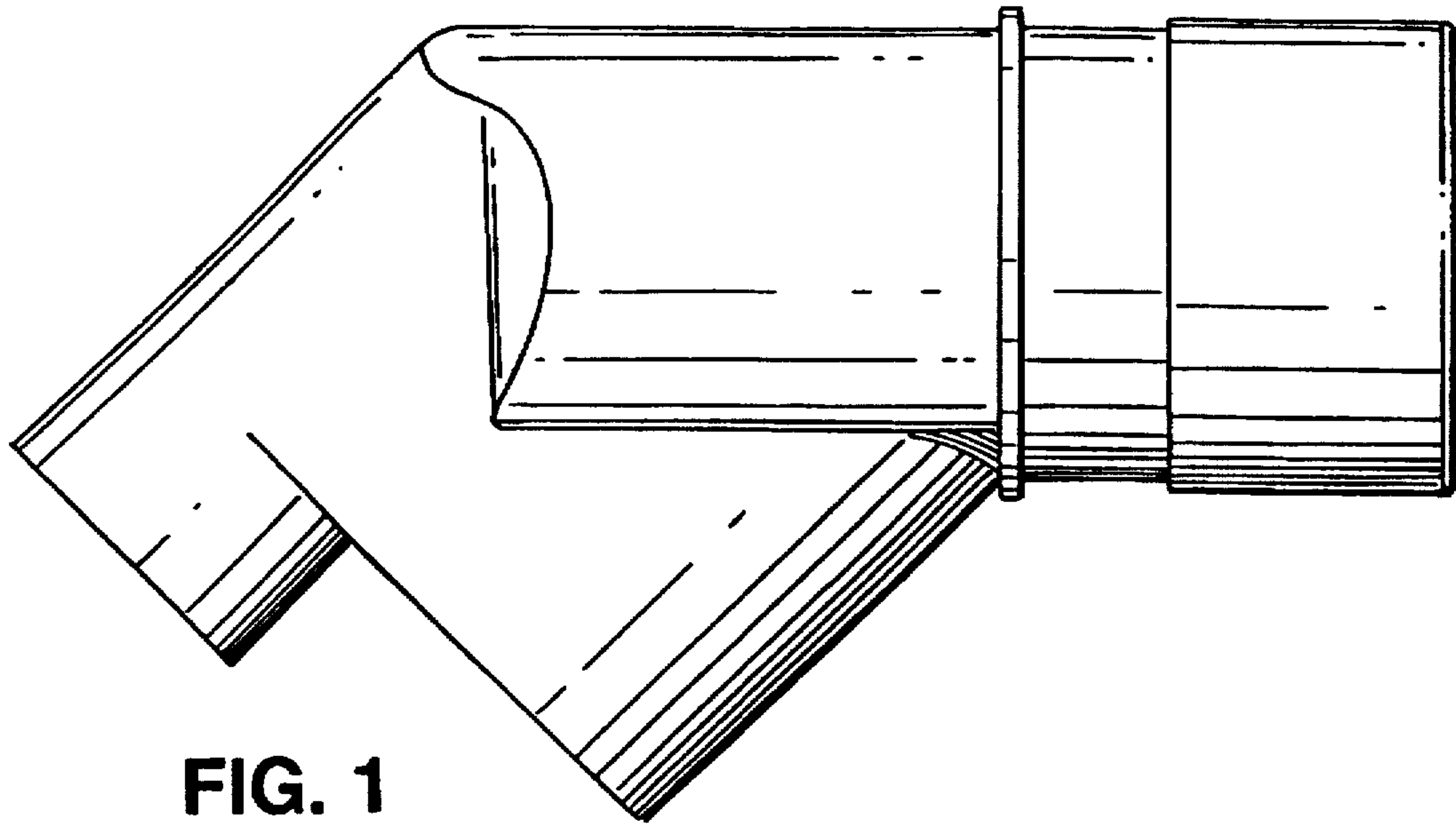
The ornamental design for a hand held spray gun, as shown and described.

DESCRIPTION

FIG. 1 is one side elevation of the gun showing our new design thereof (the other side corresponds);
FIG. 2 is a plan view of the gun shown in FIG. 1;
FIG. 3 is an underneath plan view of the gun shown in FIG. 1;
FIG. 4 is a front elevation of the gun shown in FIG. 1; and,
FIG. 5 is a rear elevation of the gun shown in FIG. 1.

1 Claim, 2 Drawing Sheets





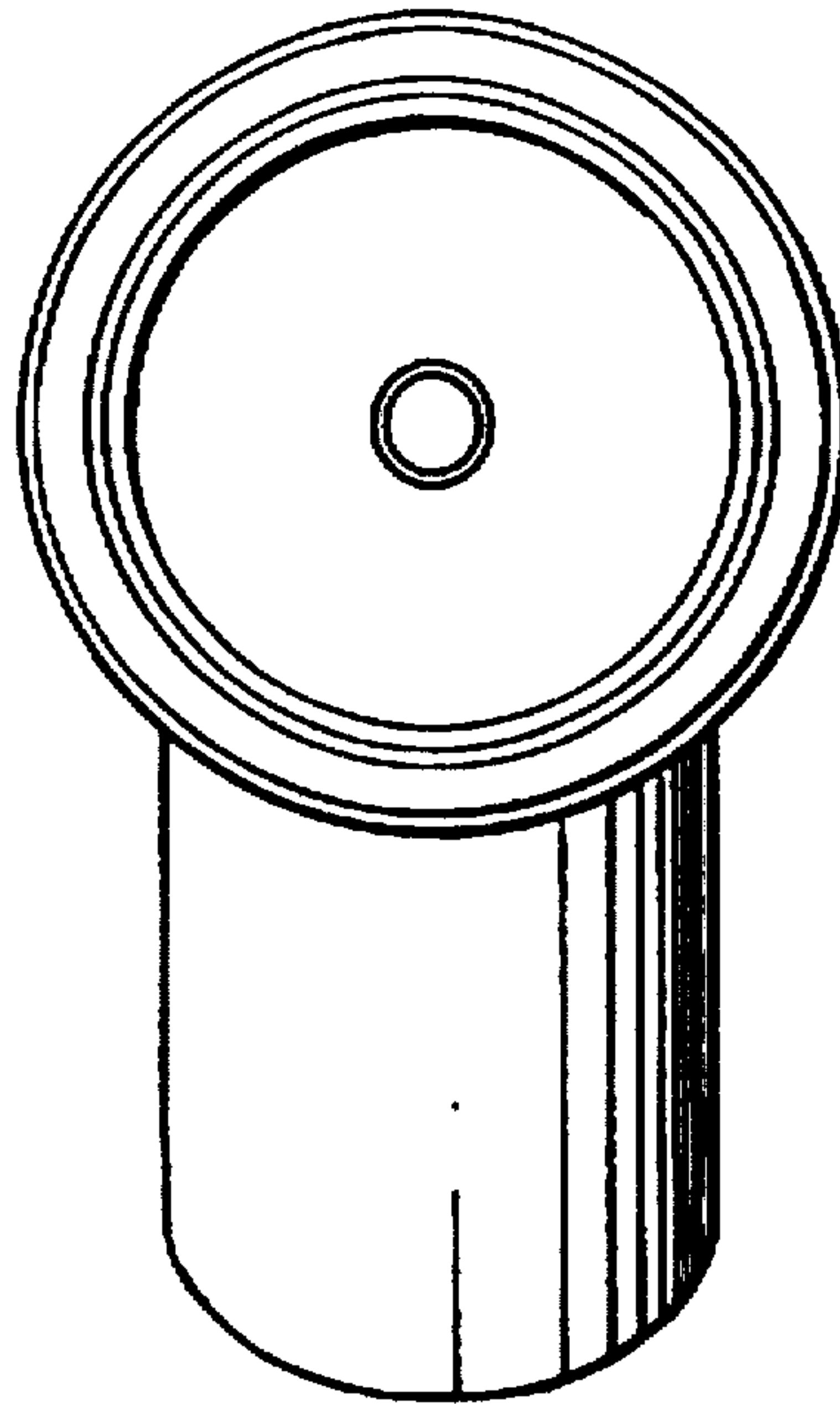


FIG. 4

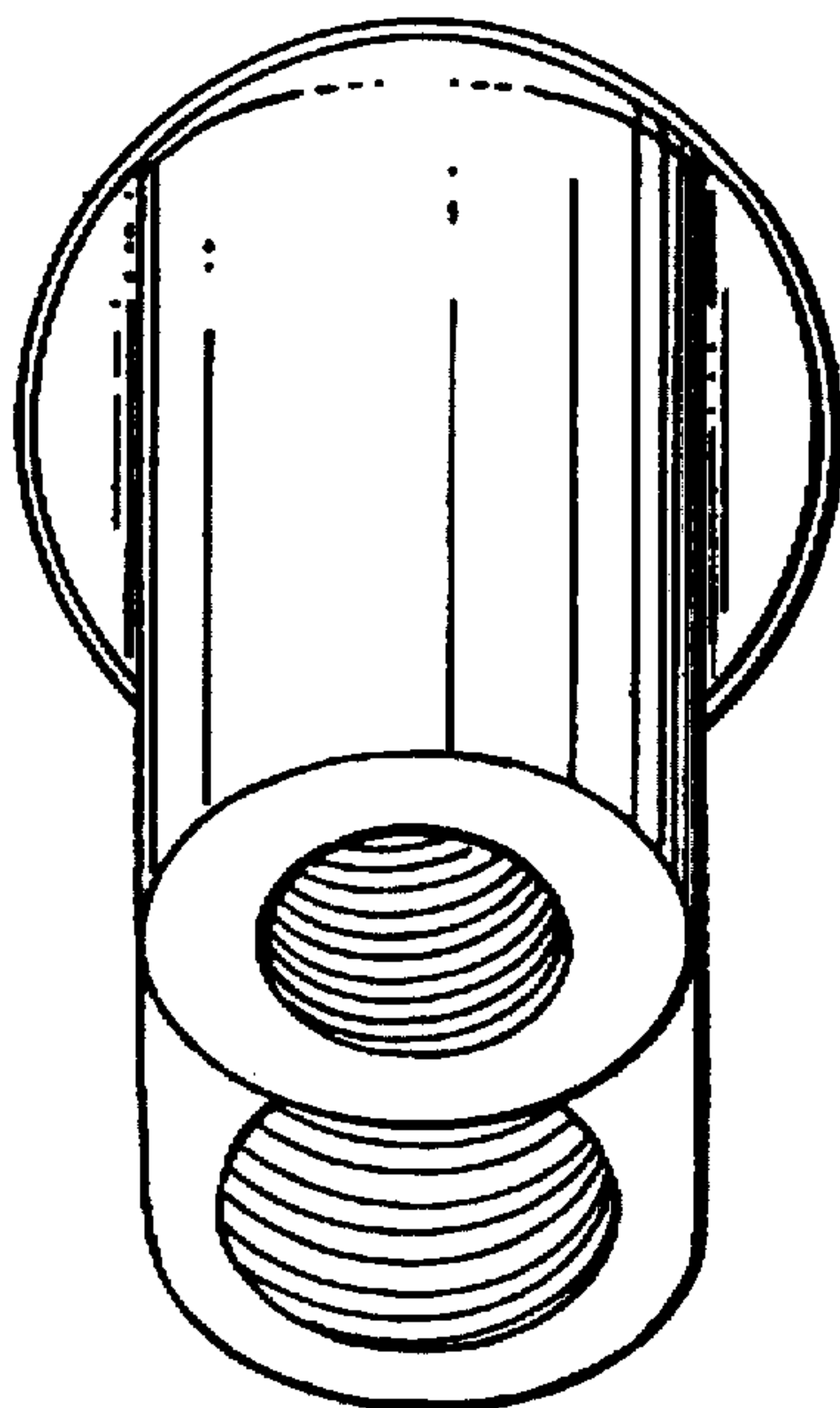


FIG. 5