



US00D397406S

**United States Patent** [19]  
**Koblegard**

[11] **Patent Number:** **Des. 397,406**  
[45] **Date of Patent:** **\*\*Aug. 25, 1998**

[54] **FISH HOOK REMOVER**

4,947,576 8/1990 Hull et al. .... 43/53.5  
5,307,586 5/1994 Palmer ..... 43/53.5

[76] **Inventor:** **Rupert N. Koblegard**, 401-A S. Indian River Dr., Fort Pierce, Fla. 34950

*Primary Examiner*—Doris V. Coles  
*Attorney, Agent, or Firm*—Herbert L. Lerner; Laurence A. Greenberg

[\*\*] **Term:** **14 Years**

[21] **Appl. No.:** **69,009**

[57] **CLAIM**

[22] **Filed:** **Apr. 23, 1997**

The ornamental design for a fish hook remover, as shown and described.

[51] **LOC (6) Cl.** ..... **22-05**

[52] **U.S. Cl.** ..... **D22/149**

[58] **Field of Search** ..... D2/134, 149, 150;  
43/53.5

**DESCRIPTION**

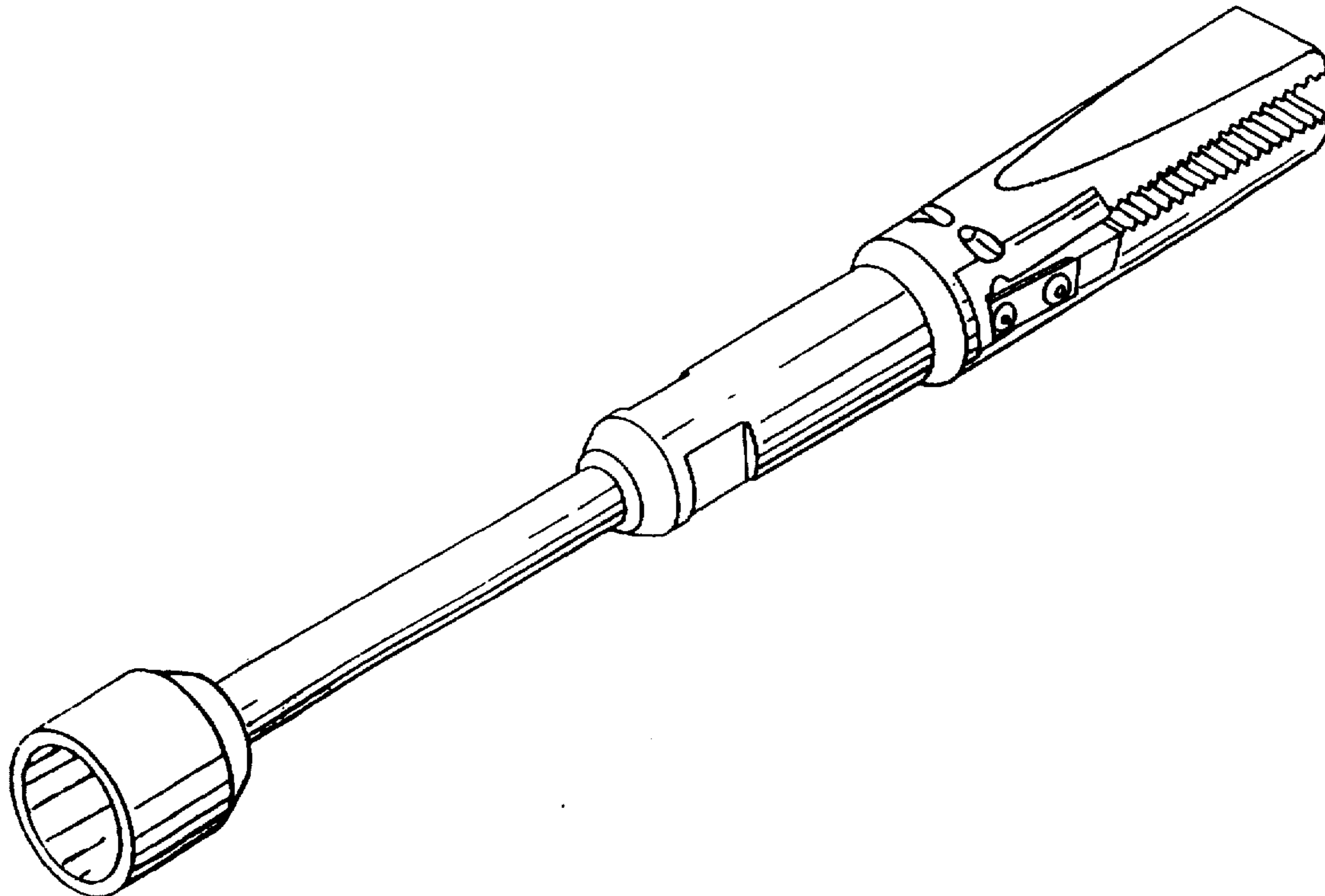
FIG. 1 is a top perspective view of a fish hook remover of my design;  
FIG. 2 is a left side-elevational view thereof;  
FIG. 3 is a right side-elevational view thereof;  
FIG. 4 is a top plan view thereof;  
FIG. 5 is a bottom plan view thereof;  
FIG. 6 is a front elevational view thereof; and,  
FIG. 7 is a rear elevational view thereof.

[56] **References Cited**

**U.S. PATENT DOCUMENTS**

|            |         |          |       |           |
|------------|---------|----------|-------|-----------|
| D. 369,646 | 5/1996  | Richards | ..... | D22/149   |
| 2,766,643  | 10/1956 | Marks    | ..... | D22/149 X |
| 2,967,373  | 1/1961  | Garrison | ..... | D22/149   |
| 3,334,437  | 8/1967  | Sanyer   | ..... | D22/149   |
| 4,028,825  | 6/1977  | Tetzner  | ..... | D22/149   |

**1 Claim, 2 Drawing Sheets**



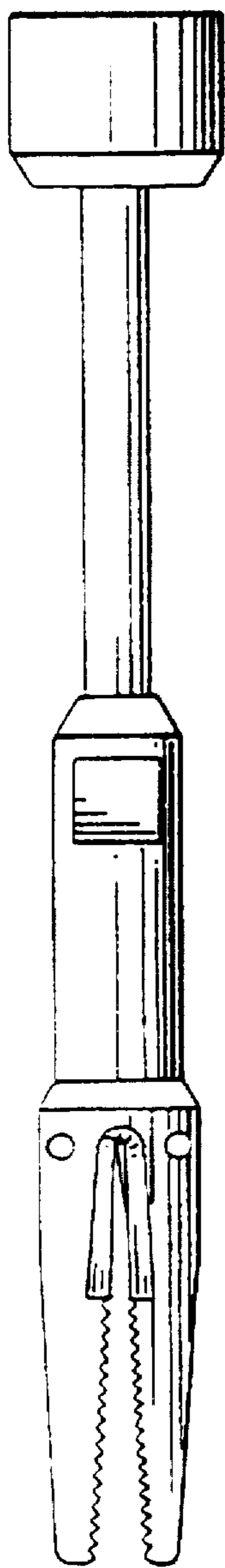


FIG. 2

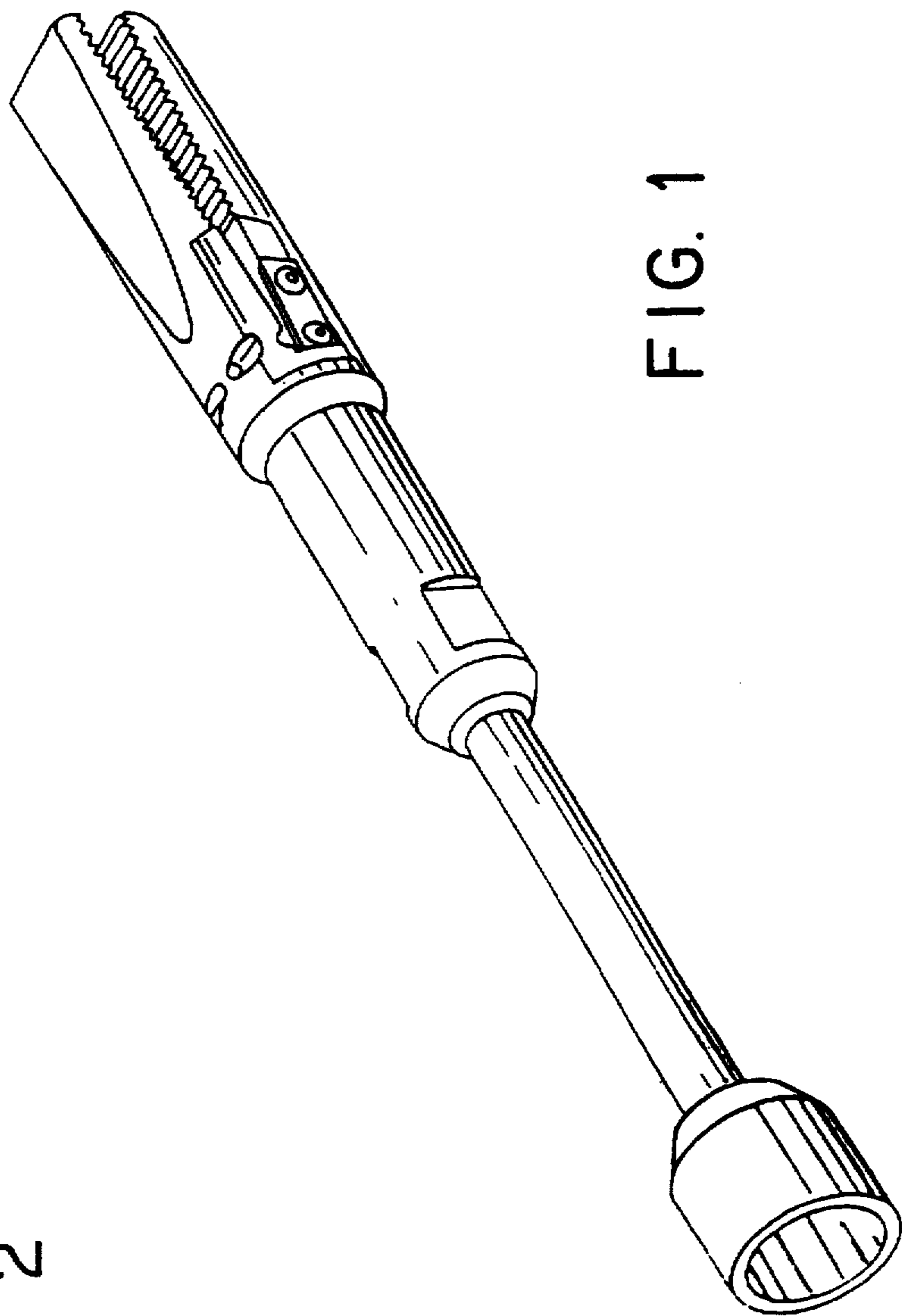


FIG. 1

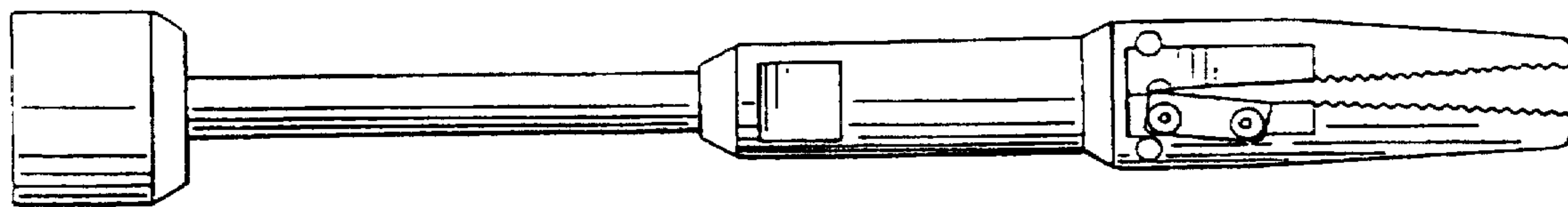


FIG. 3

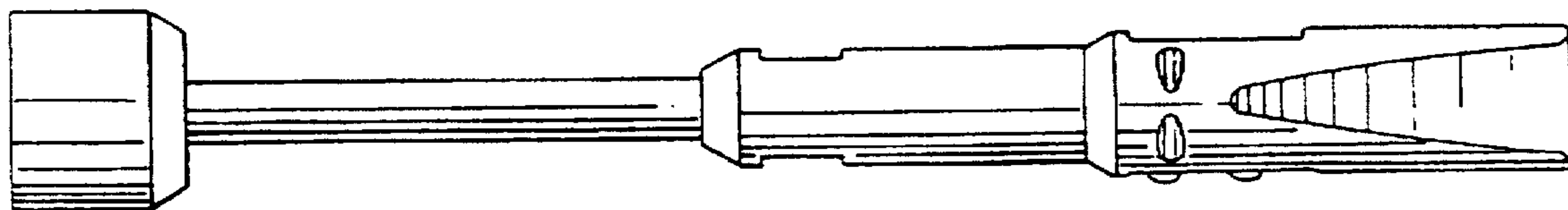


FIG. 4

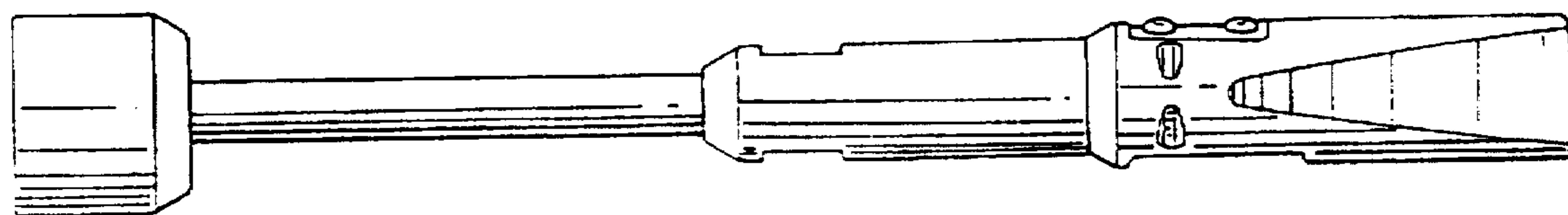


FIG. 5



FIG. 6



FIG. 7