



US00D397403S

United States Patent [19]

Zebbedies

[11] Patent Number: **Des. 397,403**

[45] Date of Patent: ****Aug. 25, 1998**

- [54] **ALTERNATE DESIGN OF SHORT SPINED GUN RACK**
- [76] Inventor: **Dieter H. Zebbedies**, 4175 Springcrest Dr., Brooklyn, Ohio 44144
- [**] Term: **14 Years**
- [21] Appl. No.: **40,891**
- [22] Filed: **Jun. 29, 1995**
- [51] LOC (6) Cl. **22-01**
- [52] U.S. Cl. **D22/108; D22/100; D22/179**
- [58] Field of Search **D22/100, 108, D22/199; 42/90, 94, 70.11; 211/64; 248/163.1, 309.1, 354.1; D6/552; 224/913**

[56] **References Cited**

U.S. PATENT DOCUMENTS

D. 313,886	1/1991	Southard	211/64	X
3,473,673	10/1969	Porter	211/64	
3,917,071	11/1975	Walters	211/64	
3,964,613	6/1976	Anderson, Jr.	211/64	
4,120,436	10/1978	Burch	224/64	
4,360,179	11/1982	Roberts	248/309.1	X
4,819,359	4/1989	Bassett	42/94	
4,852,780	8/1989	Woodbury	224/913	
4,998,944	3/1991	Lund	42/94	
5,012,606	5/1991	McNulty, Jr.	42/70.11	
5,129,563	7/1992	Dillon	224/275	
5,350,094	9/1994	Morford	224/913	
5,438,787	8/1995	McMaster et al.	211/64	X

OTHER PUBLICATIONS

Santa Cruz Gunlocks catalog; Oct. 1993; p. 8.
 Kiesler Police Supply and Ammunition Co., Inc.; 1994-95
 Catalog; pp. 141, 143, 162.

Galls Inc. Catalog 94Z, 1994; pp. 106, 107.

Primary Examiner—Louis S. Zarfes
Assistant Examiner—Monica A. Weingart
Attorney, Agent, or Firm—Roger D. Emerson

[57] **CLAIM**

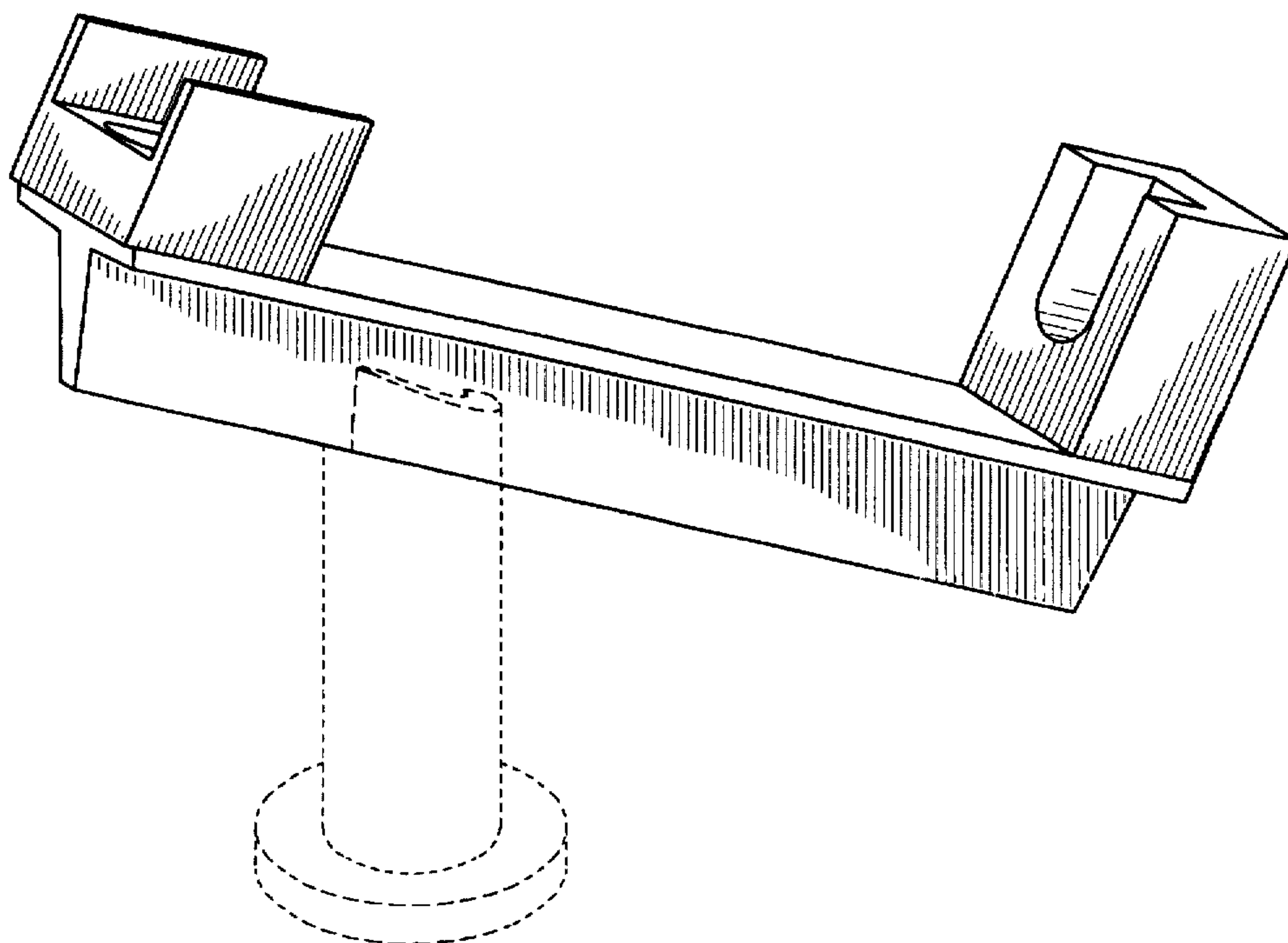
The ornamental design for an alternate design of short spined gun rack, as shown.

DESCRIPTION

- FIG. 1 is a right-side perspective view of the invention;
- FIG. 2 is a left-side perspective view of the invention;
- FIG. 3 is a front view of the invention;
- FIG. 4 is a left-side end view of the invention;
- FIG. 5 is a right-side end view of the invention;
- FIG. 6 is a top view of the invention; and,
- FIG. 7 is a bottom view of the invention;
- FIG. 8 is a right-side perspective view similar to FIG. 1;
- FIG. 9 is a left-side perspective view similar to FIG. 2;
- FIG. 10 is a front view similar to FIG. 3;
- FIG. 11 is a left-side end view similar to FIG. 4;
- FIG. 12 is a right-side end view similar to FIG. 5;
- FIG. 13 is a top view similar to FIG. 6; and,
- FIG. 14 is a bottom view similar to FIG. 7.

The broken line showing of a cylindrical base in FIGS. 8-14 and a gun in FIG. 10 is for illustrative purposes only and forms no part of the claimed design.

1 Claim, 4 Drawing Sheets



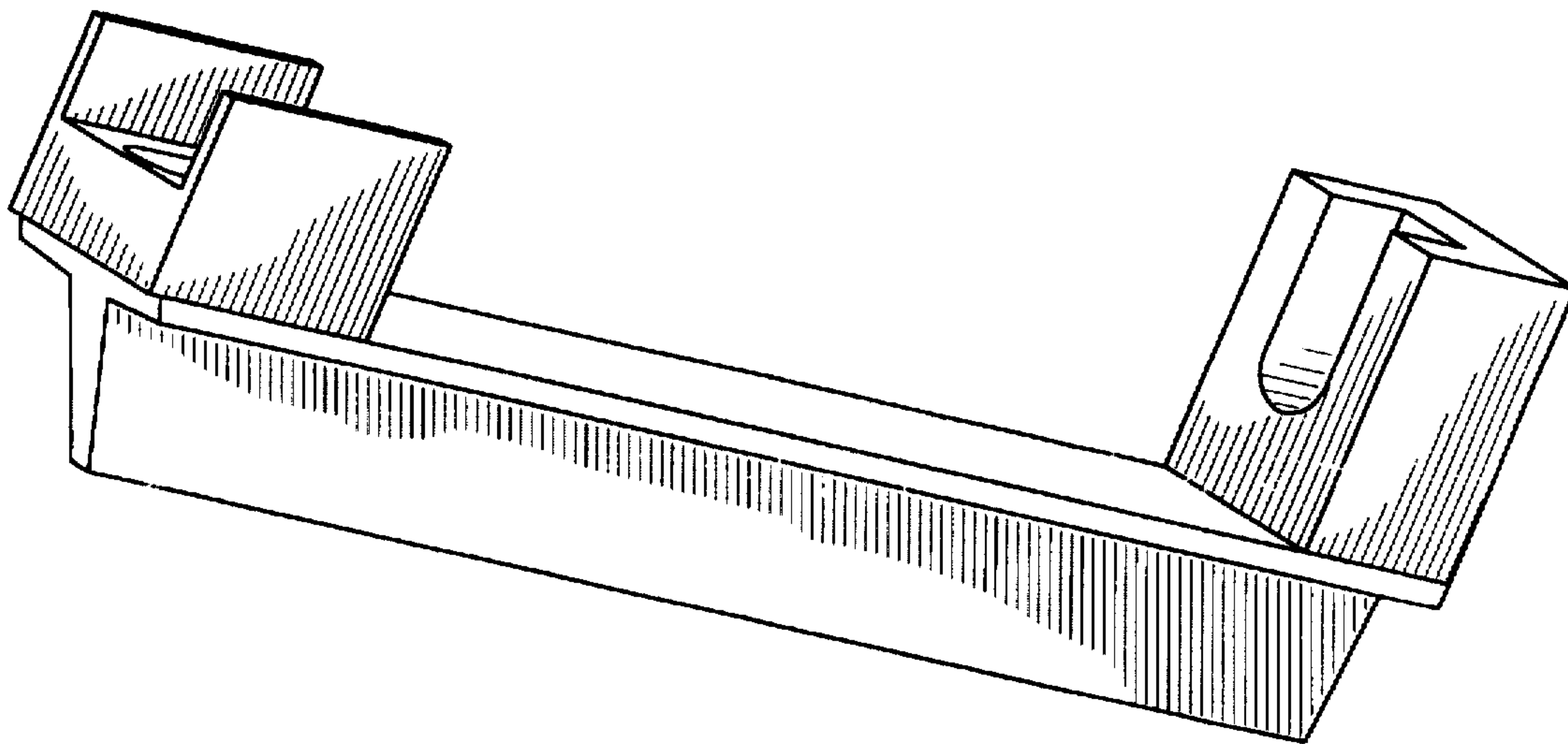


FIG-1

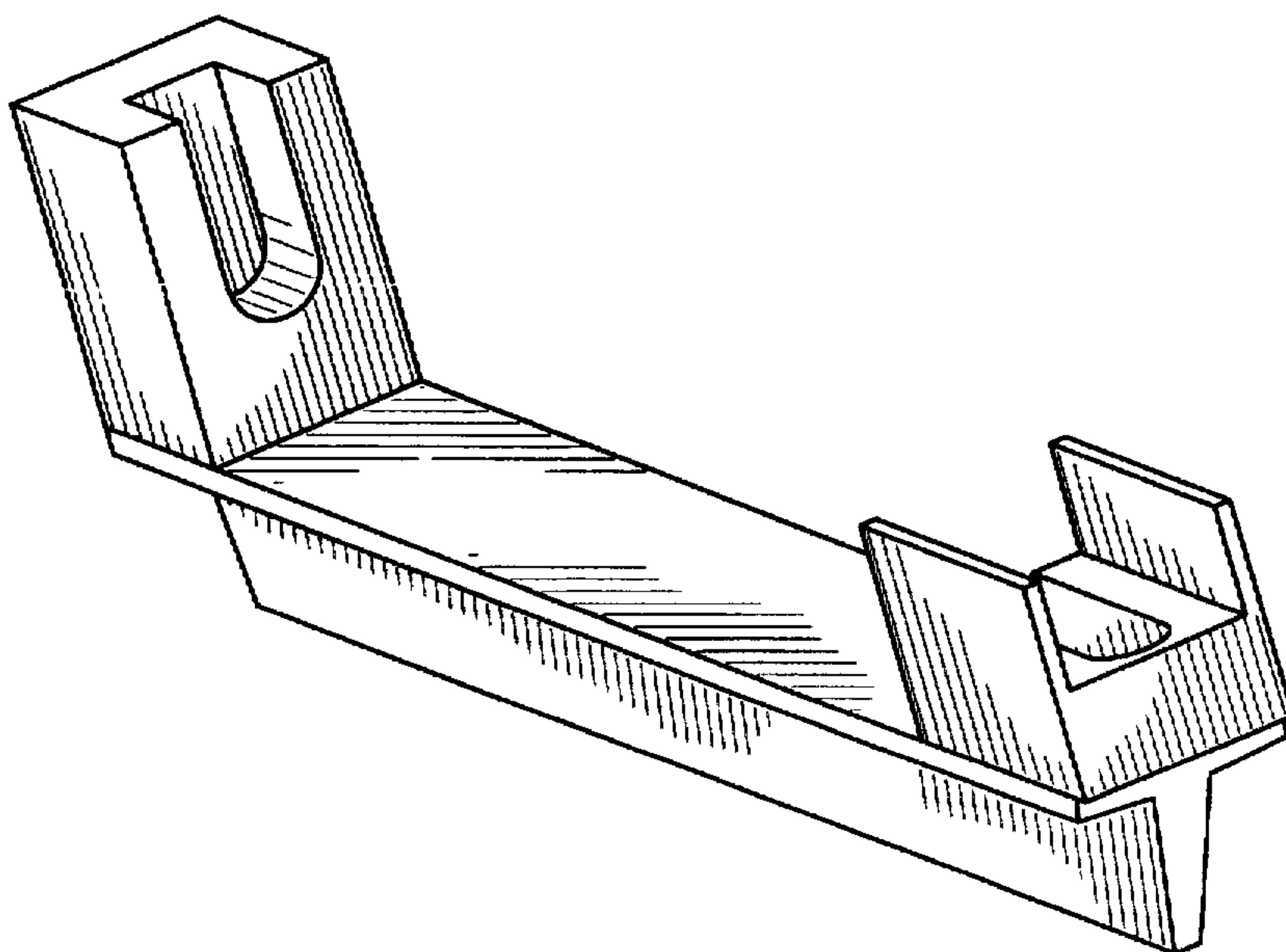


FIG-2

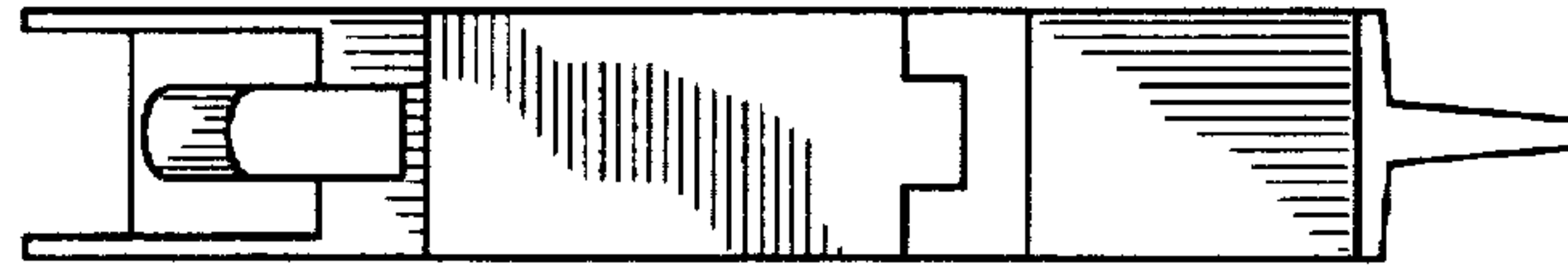


FIG-5

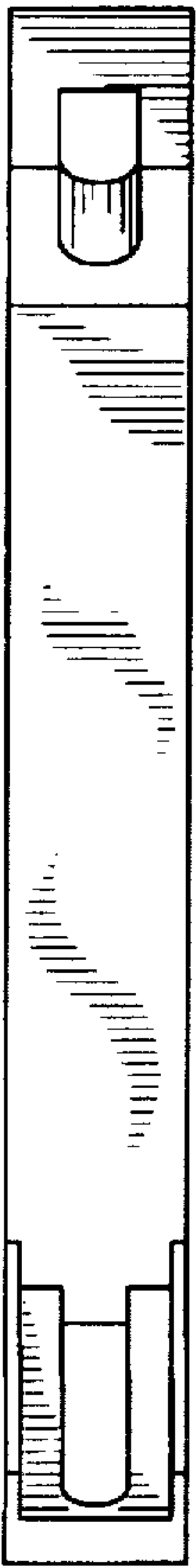


FIG-6

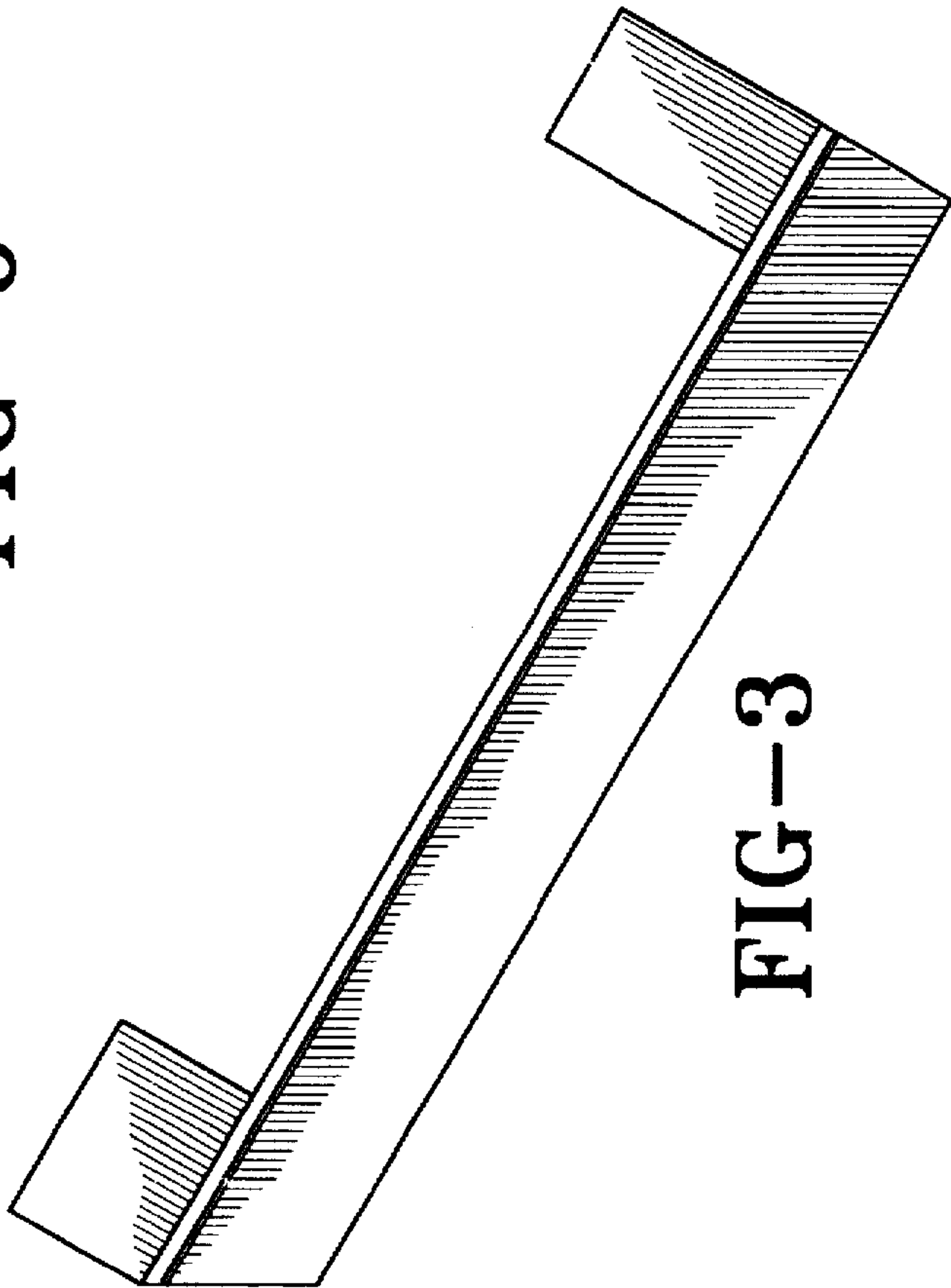


FIG-3

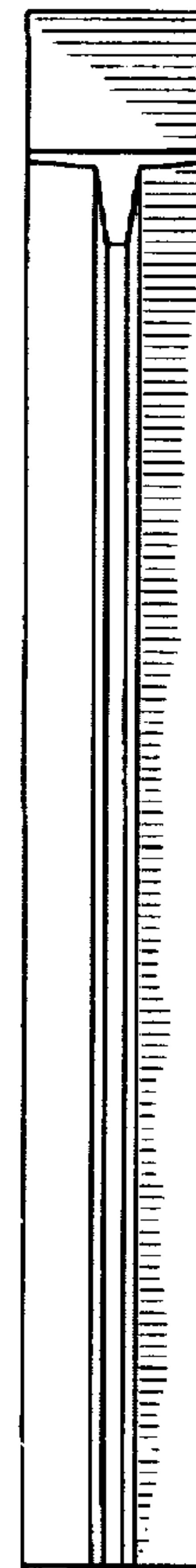


FIG-7

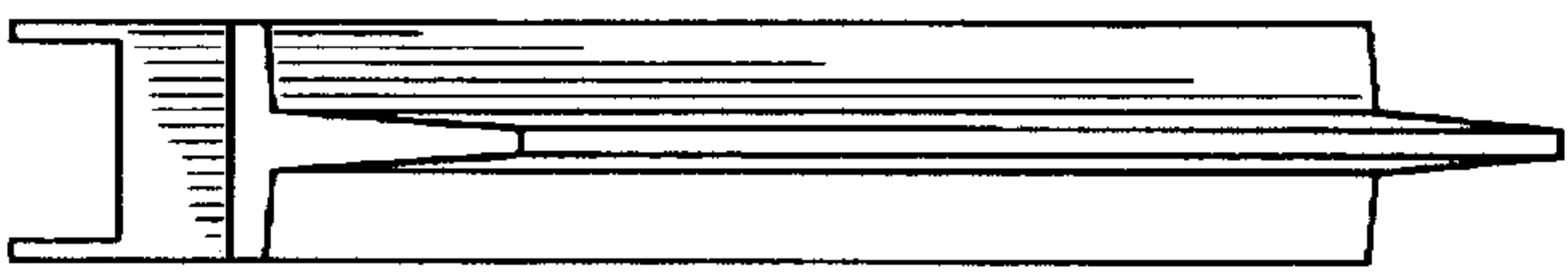
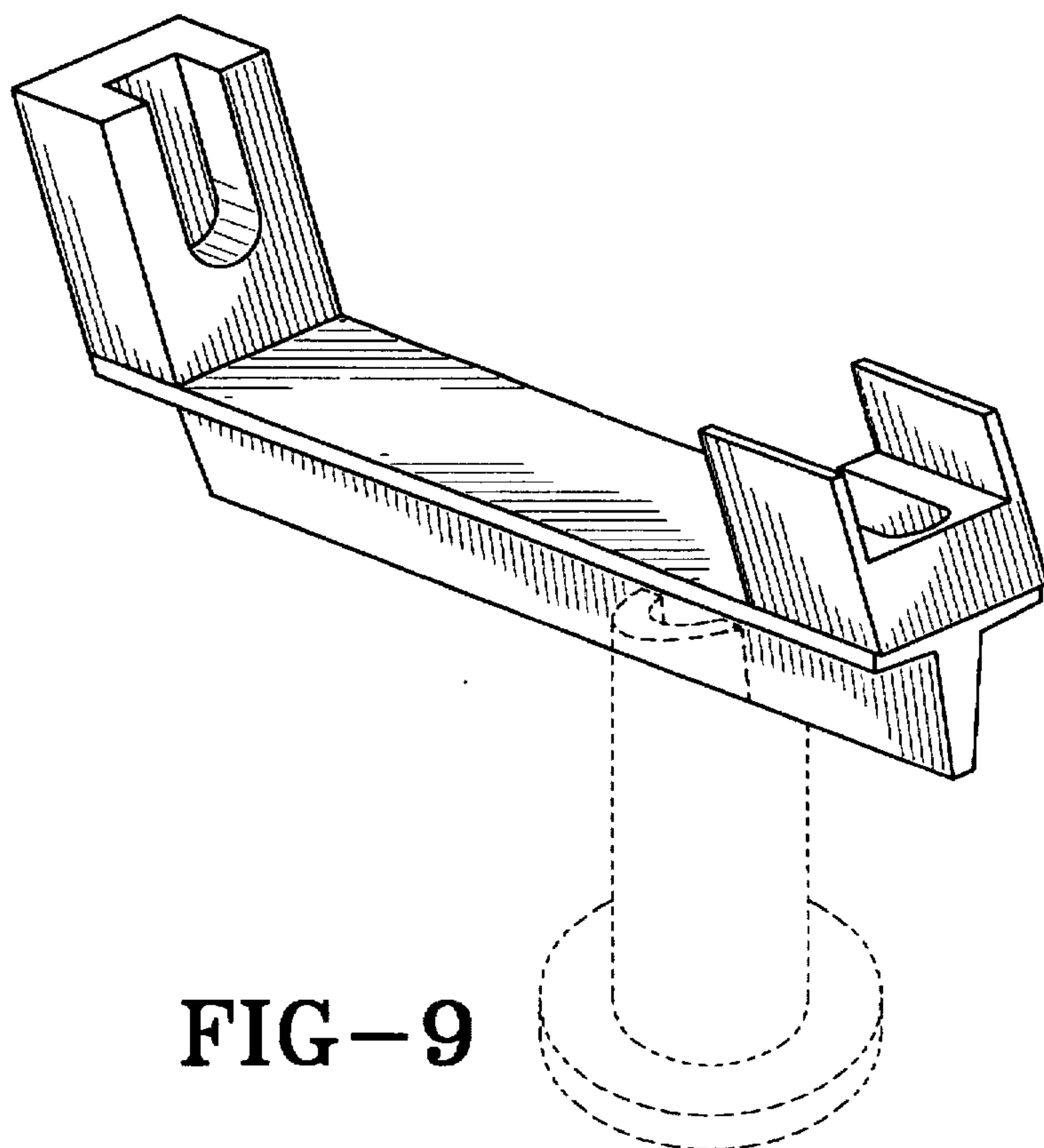
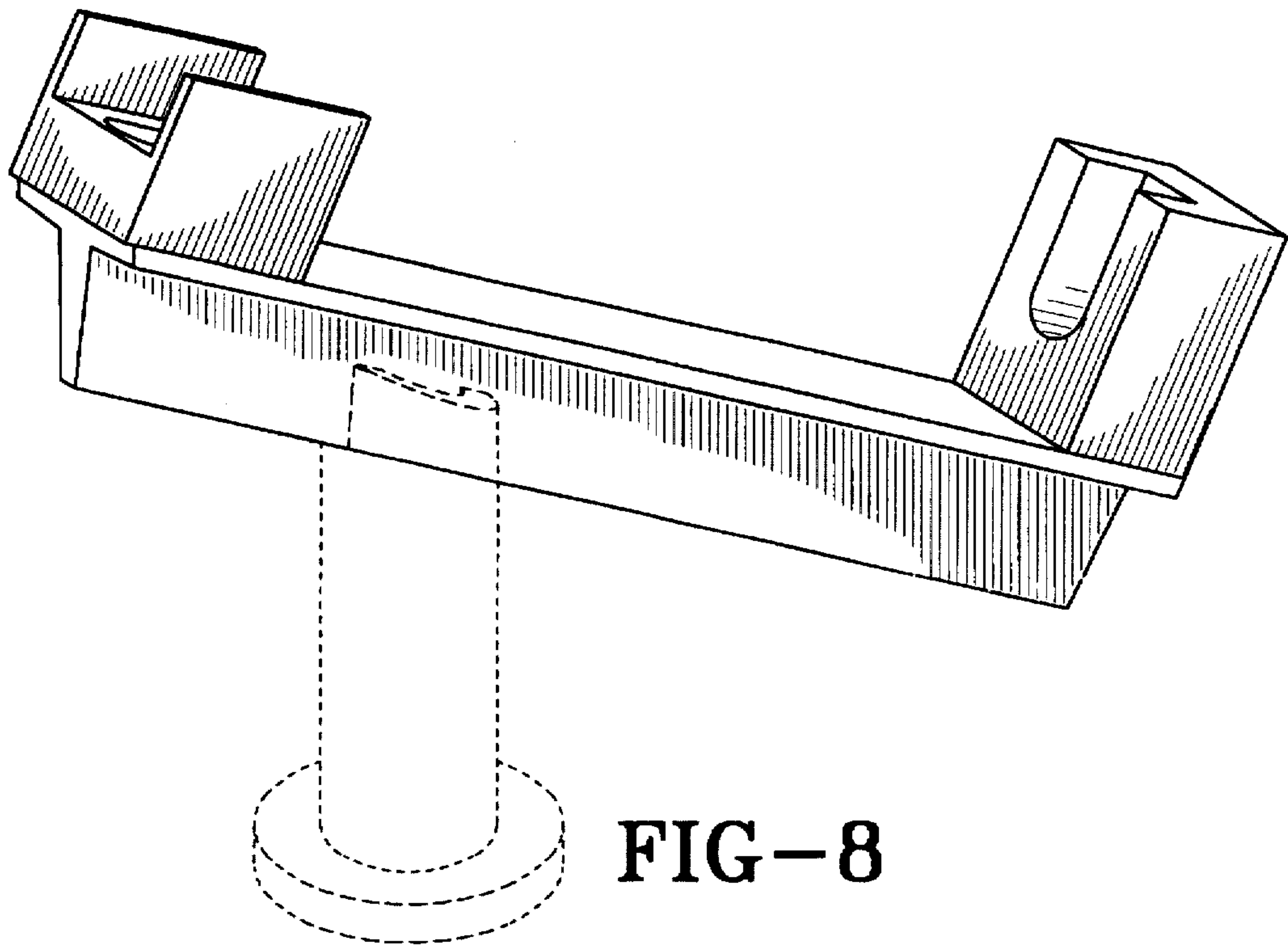


FIG-4



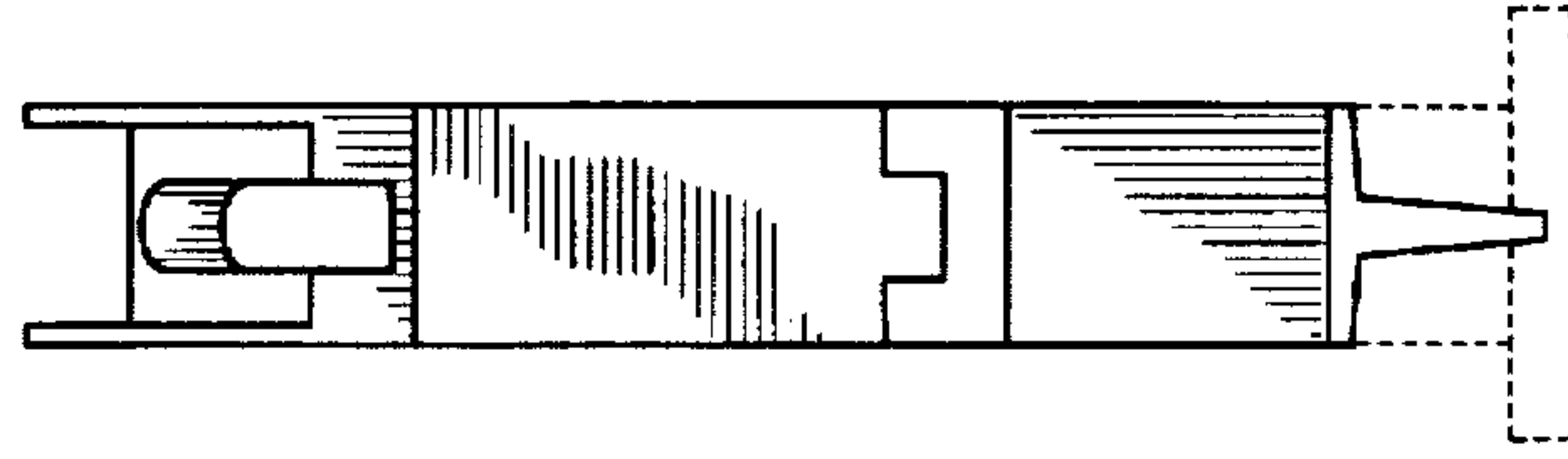
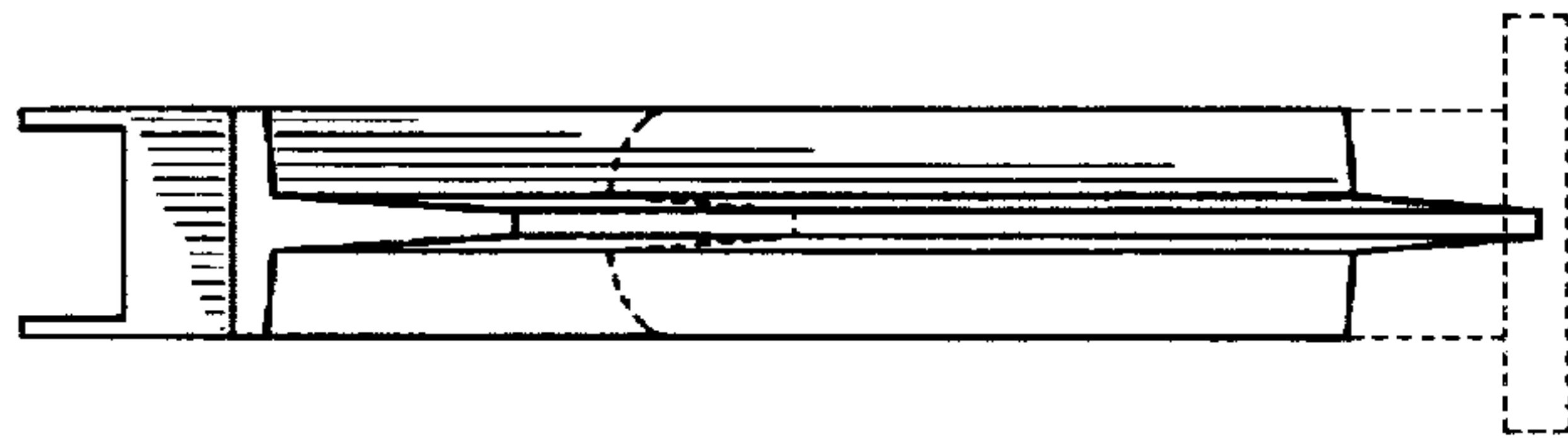
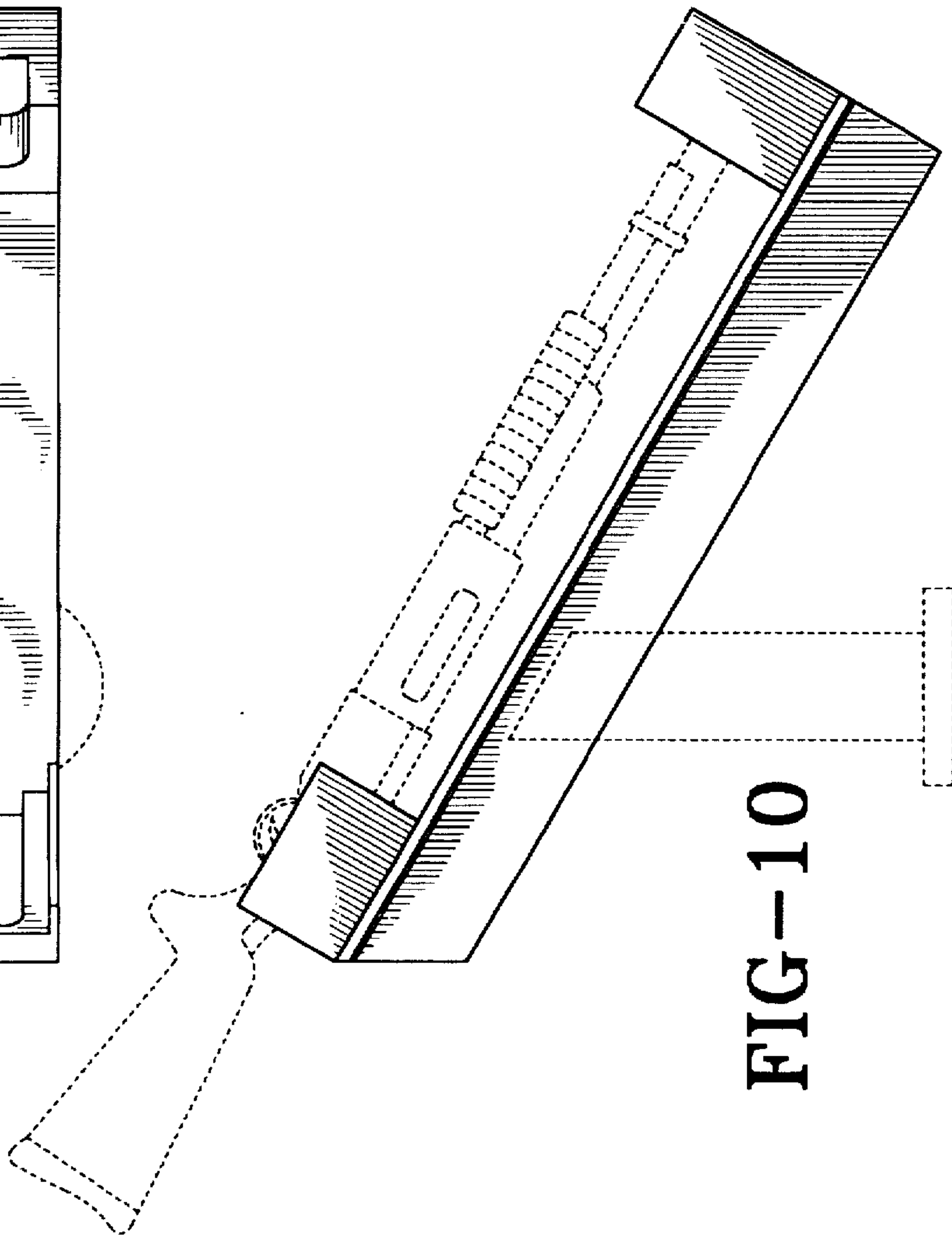
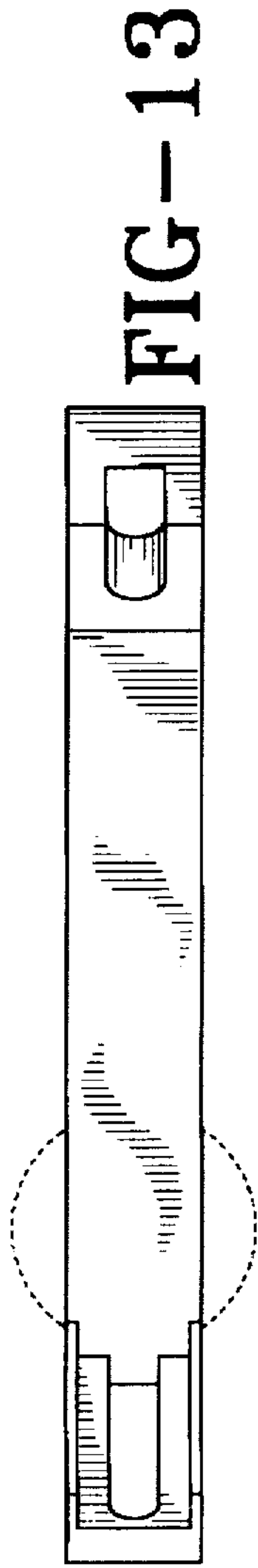


FIG-11

FIG-12

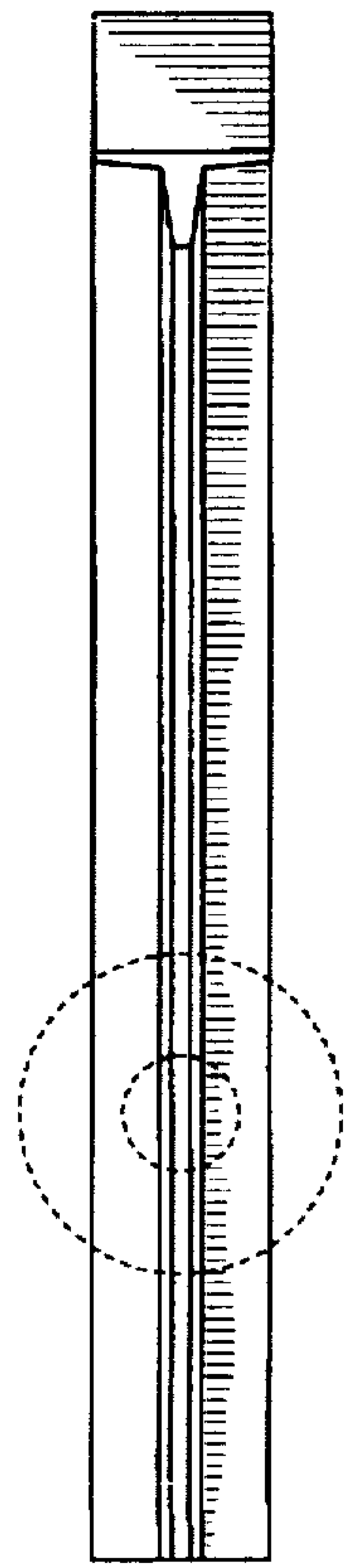


FIG-14