

US00D397398S

# United States Patent [19]

[11] Patent Number: **Des. 397,398**

Bro et al.

[45] Date of Patent: **\*\*Aug. 25, 1998**

[54] **COMBINED CHILD'S PLAY CENTER AND TOY BOX**

D. 352,541 11/1994 Shull et al. .... D21/250  
D. 358,860 5/1995 Pipik ..... D21/245  
D. 374,054 9/1996 Wilgus ..... D21/245

[75] Inventors: **Jay M. Bro**, Plano; **Robert H. Escher**, Lewisville, both of Tex.; **James S. Panzarella**, Denver, Colo.; **James D. Amburgey**, Richardson, Tex.

*Primary Examiner*—Sandra L. Morris  
*Assistant Examiner*—Mitchell I. Siegel  
*Attorney, Agent, or Firm*—Kirkpatrick & Lockhart LLP

[73] Assignee: **Today's Kids, Inc.**, Booneville, Ark.

[57] **CLAIM**

[\*\*] Term: **14 Years**

The ornamental design for combined child's play center and toy box, as shown and described.

[21] Appl. No.: **66,101**

**DESCRIPTION**

[22] Filed: **Feb. 6, 1997**

FIG. 1 is a perspective view of a combined child's play center and toy box;

[51] **LOC (6) Cl.** ..... **21-03**

FIG. 2 is a front view thereof;

[52] **U.S. Cl.** ..... **D21/247**

FIG. 3 is a rear view thereof;

[58] **Field of Search** ..... **D21/240-242, D21/244, 245, 250, 247; 446/160, 93; 482/35**

FIG. 4 is a right side elevational view thereof;

FIG. 5 is a left side elevational view thereof;

FIG. 6 is a top view thereof; and,

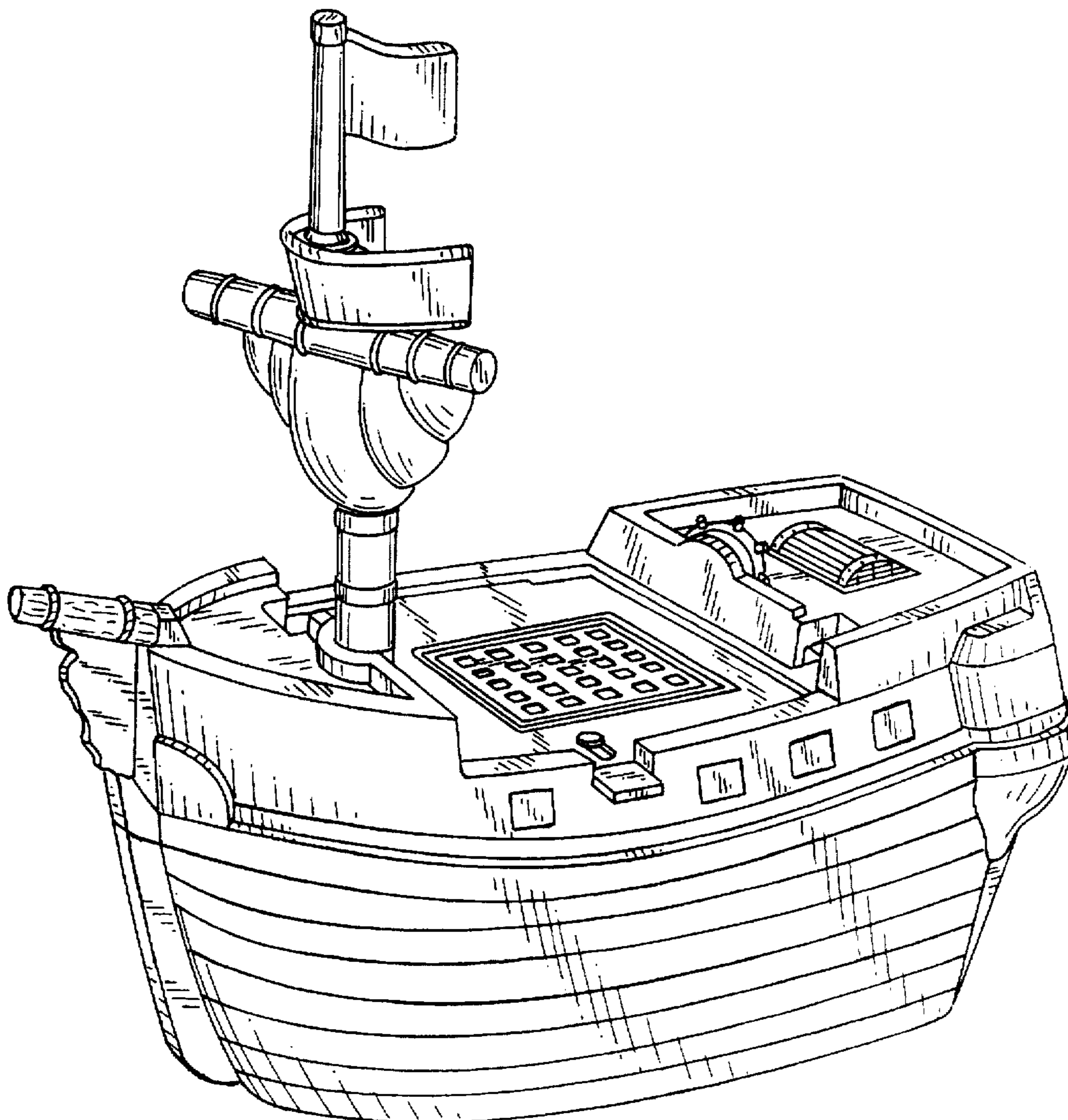
FIG. 7 is a bottom view thereof.

[56] **References Cited**

**U.S. PATENT DOCUMENTS**

D. 335,697 5/1993 Cleary ..... D21/250

**1 Claim, 7 Drawing Sheets**



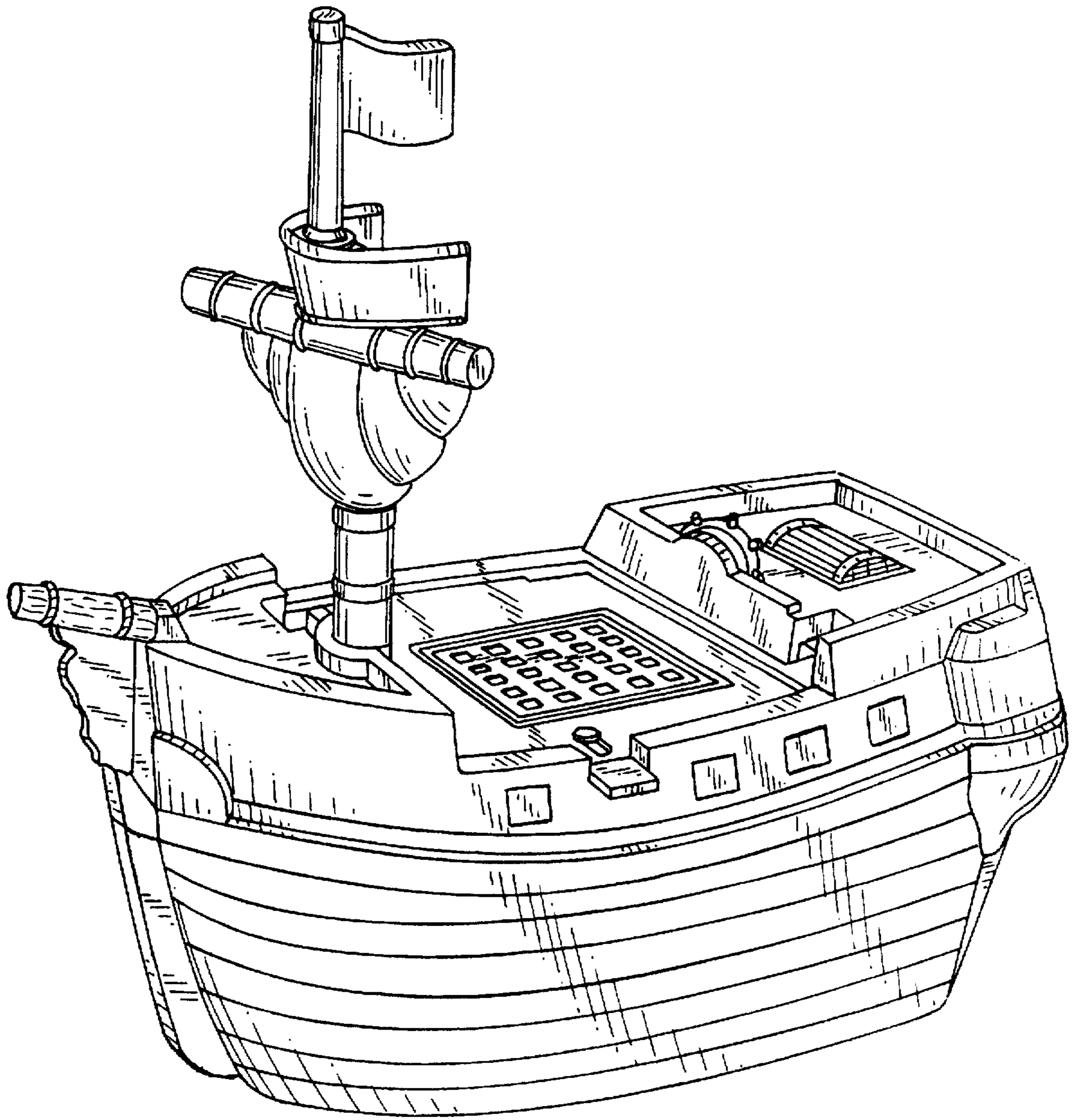


FIG. 1

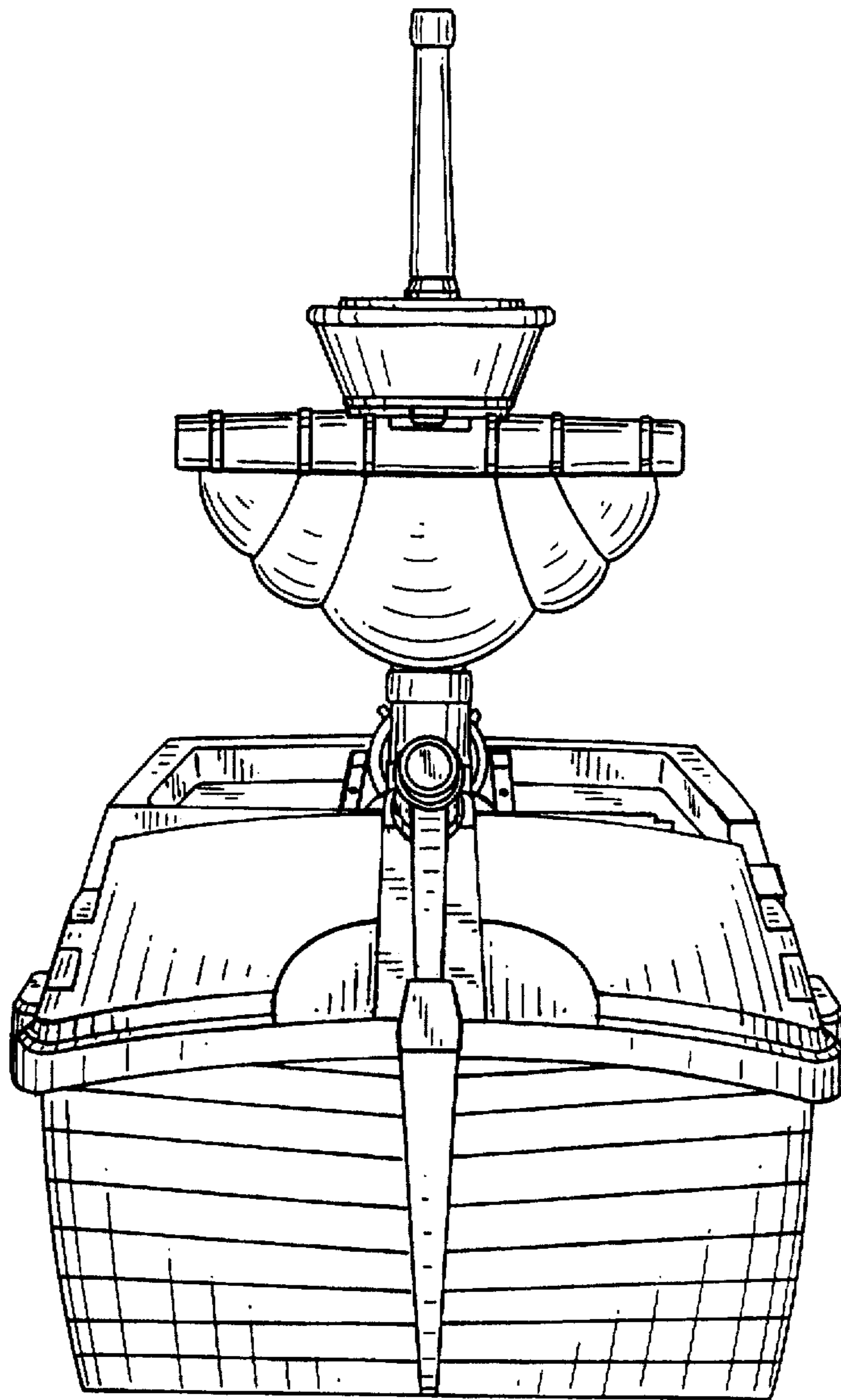


FIG. 2

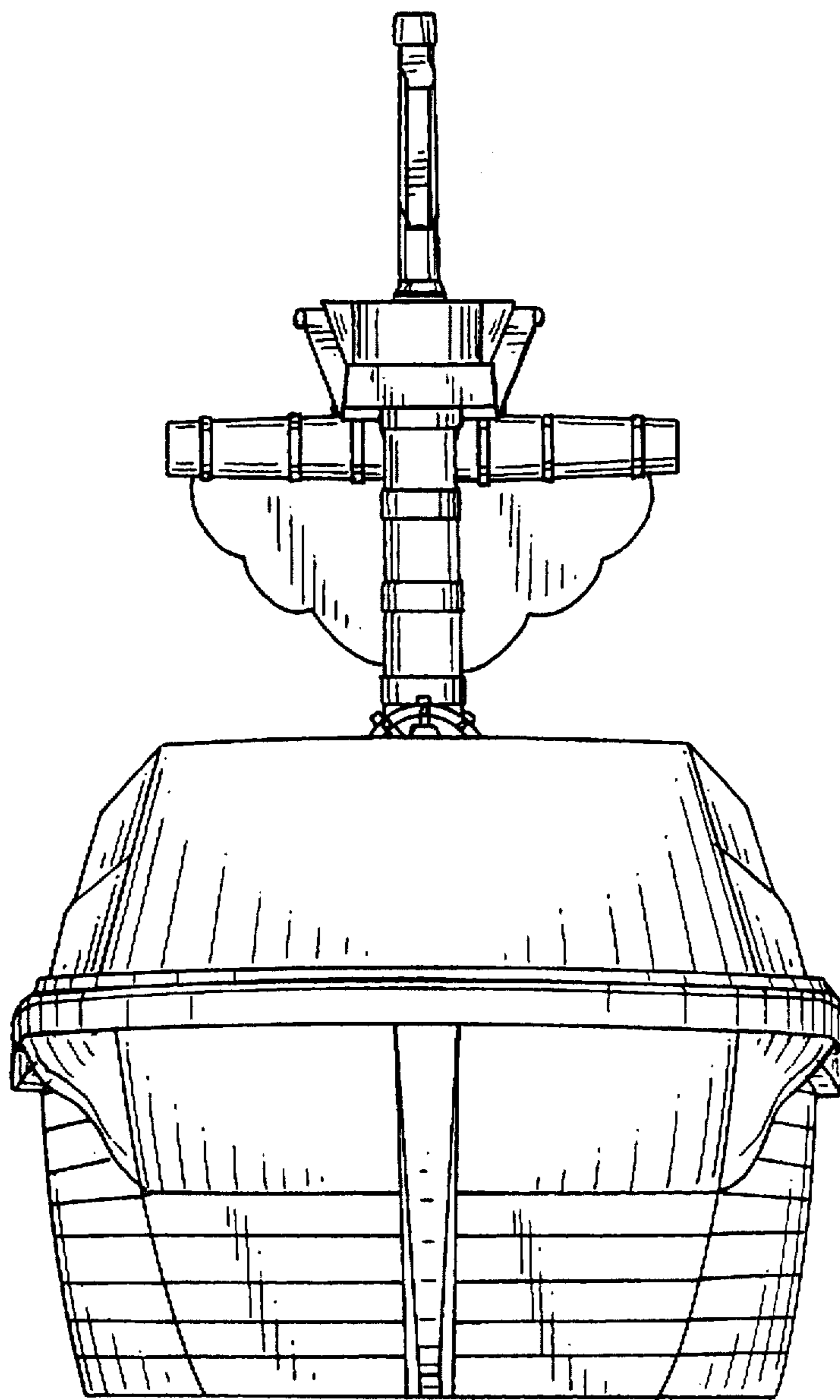


FIG. 3

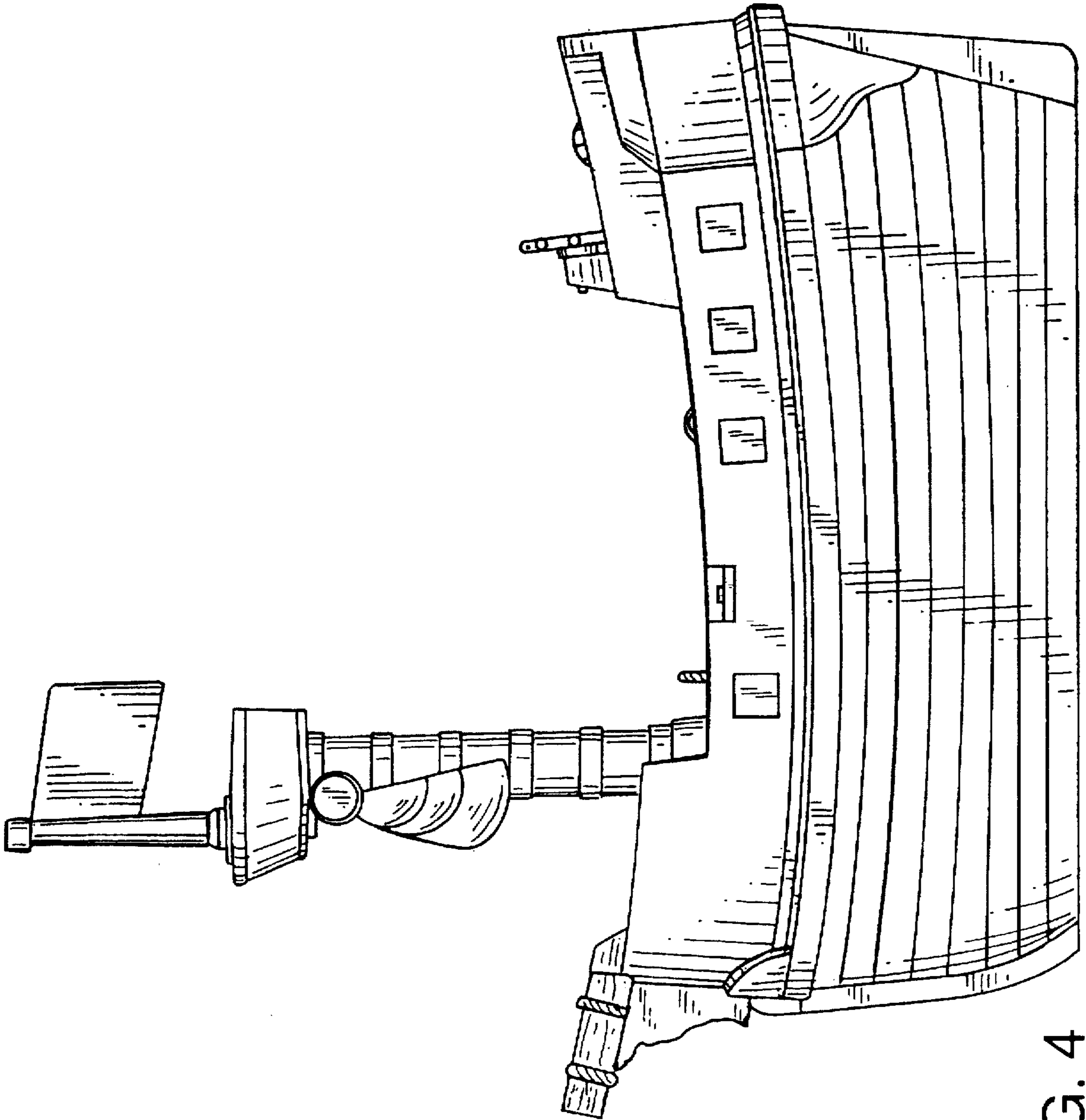


FIG. 4

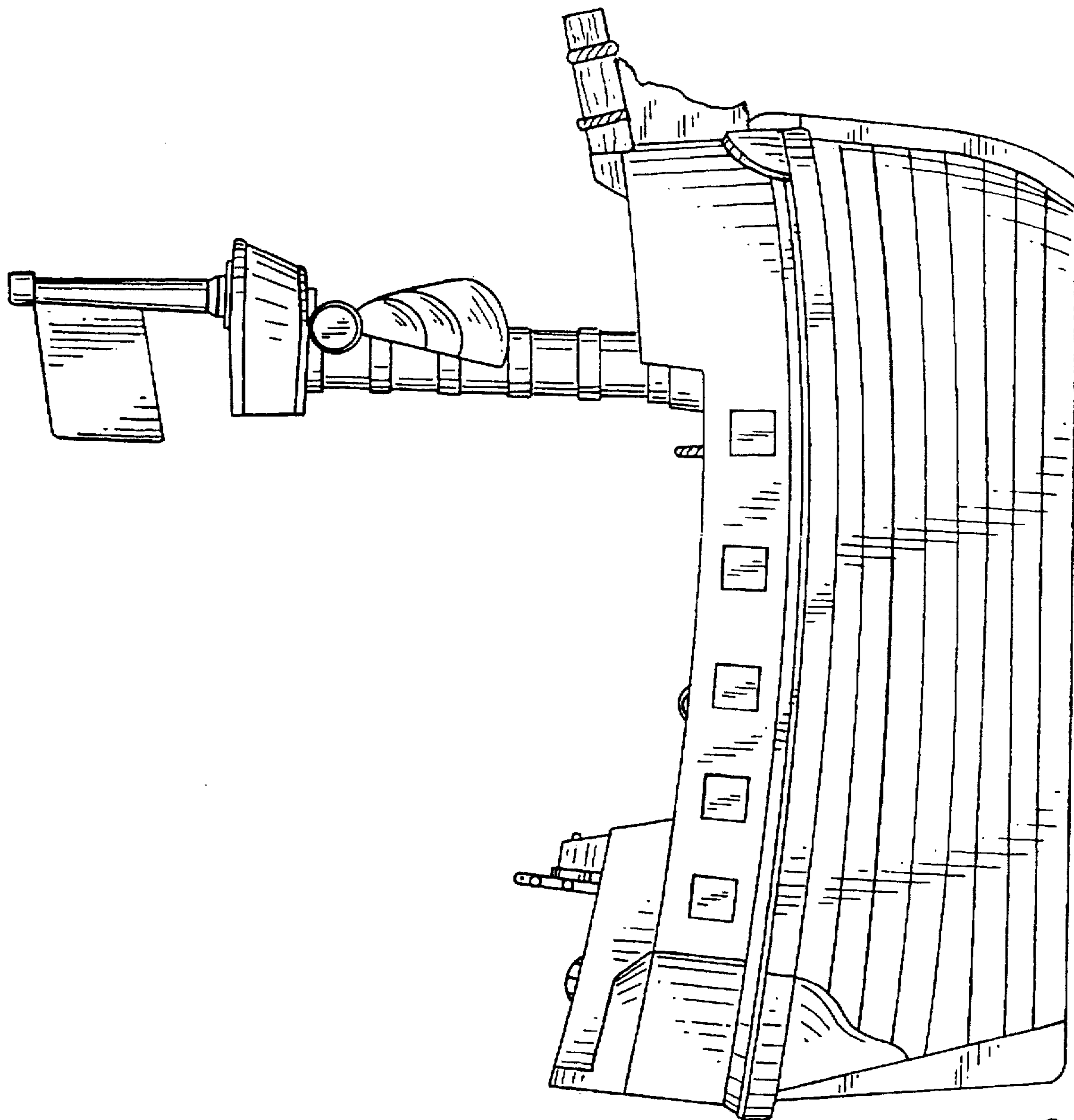


FIG. 5

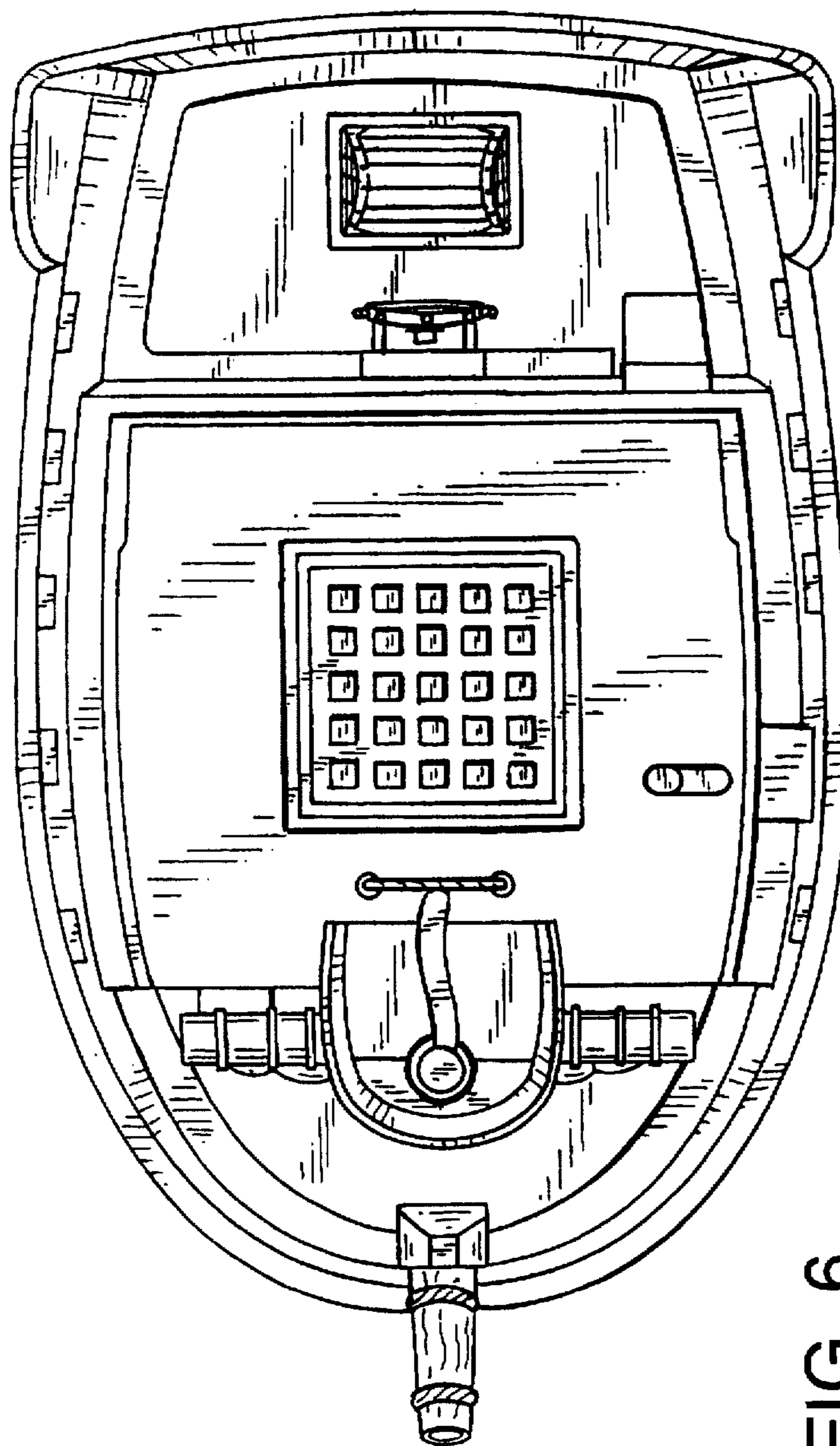


FIG. 6

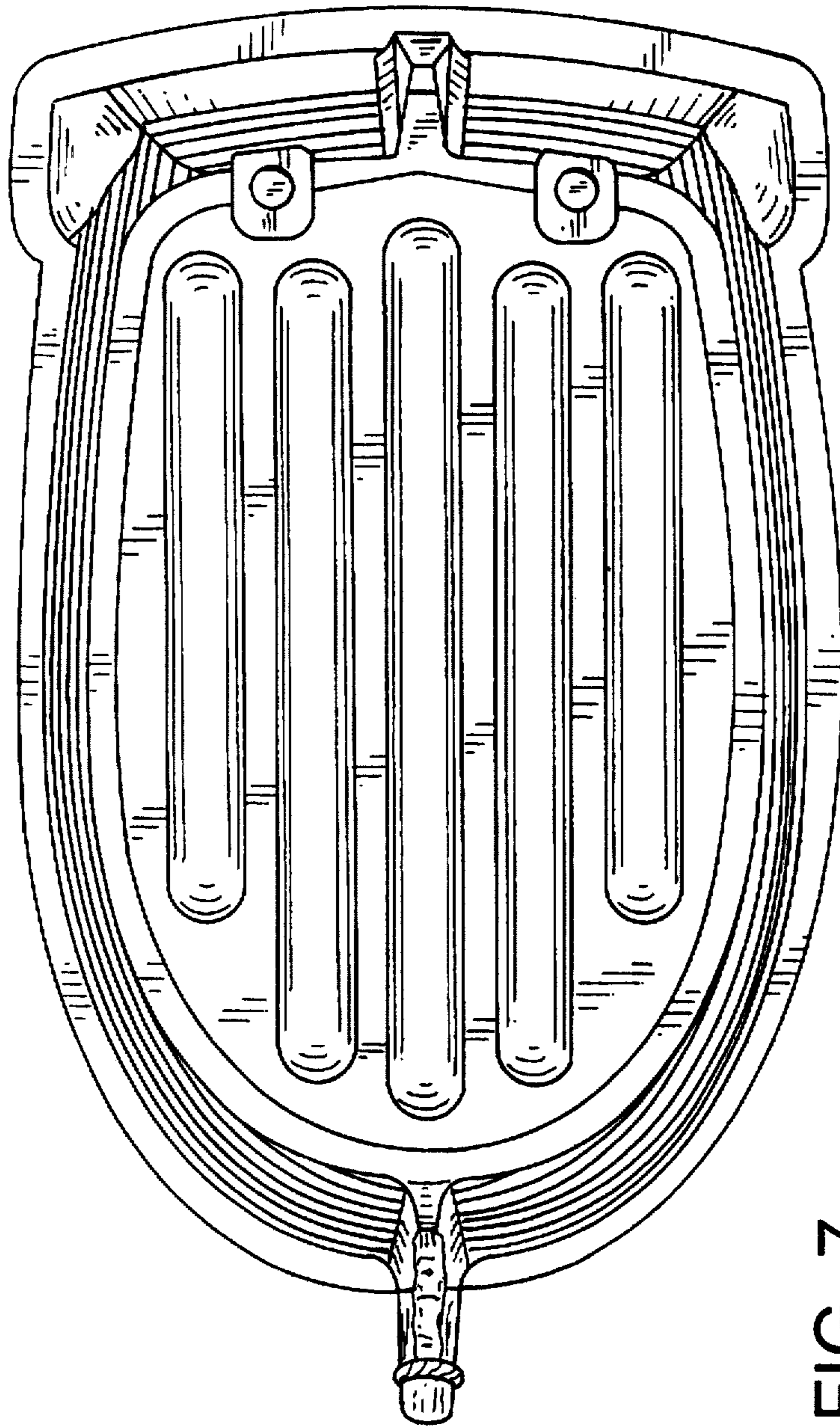


FIG. 7