



US00D397391S

United States Patent [19]

Jirout

[11] Patent Number: **Des. 397,391**

[45] Date of Patent: ****Aug. 25, 1998**

[54] **ILLUMINATED INLINE SKATE WHEEL**

[76] Inventor: **Tracy Jirout**, 39894 Moria Ct.,
Murrietta, Calif. 92562

[**] Term: **14 Years**

[21] Appl. No.: **69,692**

[22] Filed: **Apr. 4, 1997**

[51] LOC (6) Cl. **21-02**

[52] U.S. Cl. **D21/226**

[58] Field of Search D21/224-227;
280/11.19, 11.2, 11.22, 11.26-11.28, 807,
841, 843; 301/5.3, 5.7; D12/207, 208; D26/123,
124

[56] **References Cited**

U.S. PATENT DOCUMENTS

D. 268,195	3/1983	Kalish	D21/226
2,249,568	7/1941	Shinliver	D12/208
4,648,610	3/1987	Hegyí	280/11.19

5,278,733	1/1994	St. Thomas	280/11.19
5,294,188	3/1994	Vancil, Jr.	280/11.19
5,310,250	5/1994	Gonsior	301/5.3
5,312,844	5/1994	Gonsior et al.	280/11.19
5,630,891	5/1997	Peterson et al.	280/11.22

Primary Examiner—Sandra L. Morris

[57] **CLAIM**

The ornamental design for an illuminated inline skate wheel, as shown and described.

DESCRIPTION

FIG. 1 is a front elevational view of the illuminated inline skate wheel showing my new design; FIG. 2 is a rear elevational view thereof; FIG. 3 is a right side view thereof; FIG. 4 is a left side view thereof; FIG. 5 is a top plan view thereof; FIG. 6 is a bottom plan view thereof; and, FIG. 7 is an isometric view thereof.

1 Claim, 3 Drawing Sheets

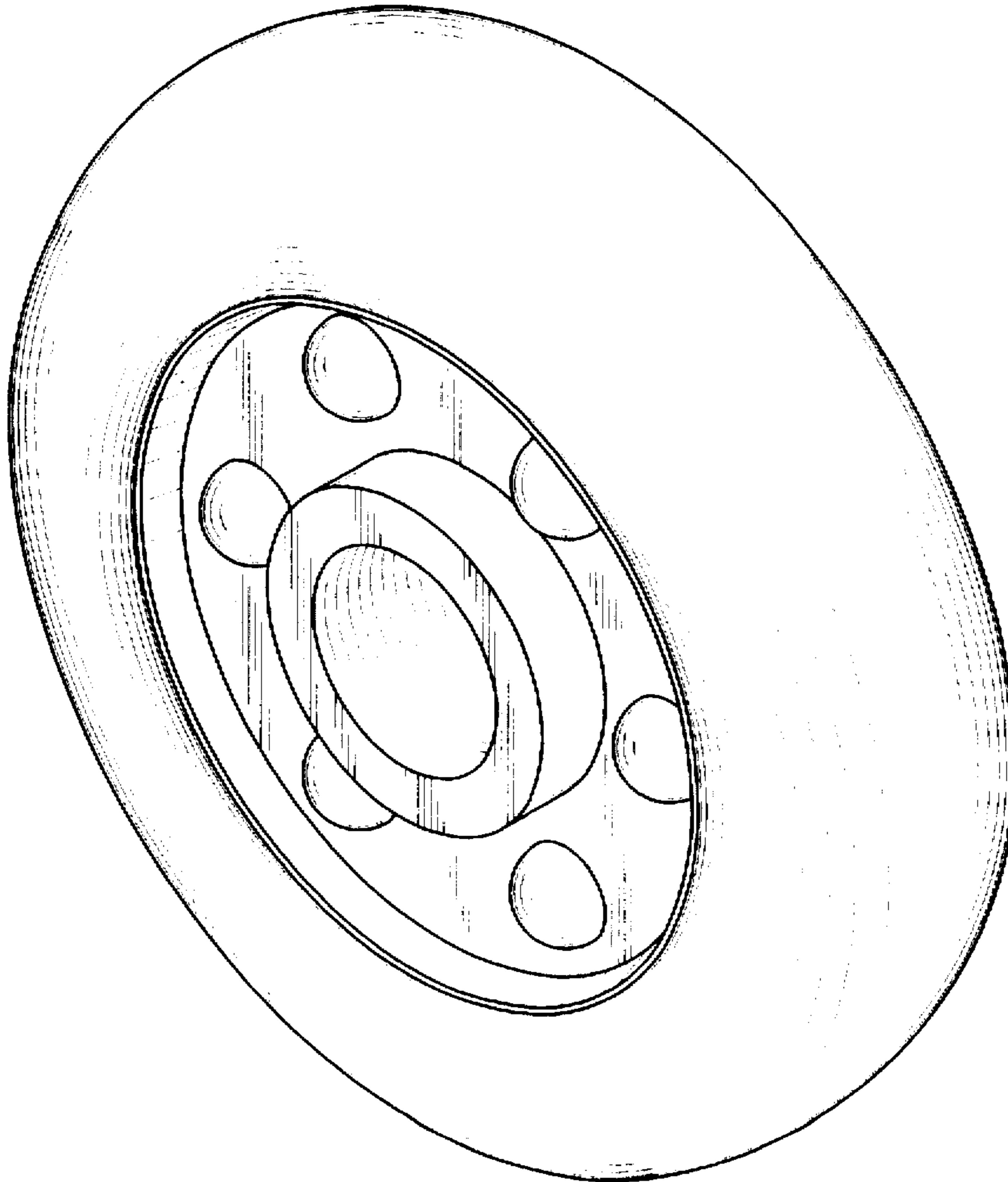


FIG. 1

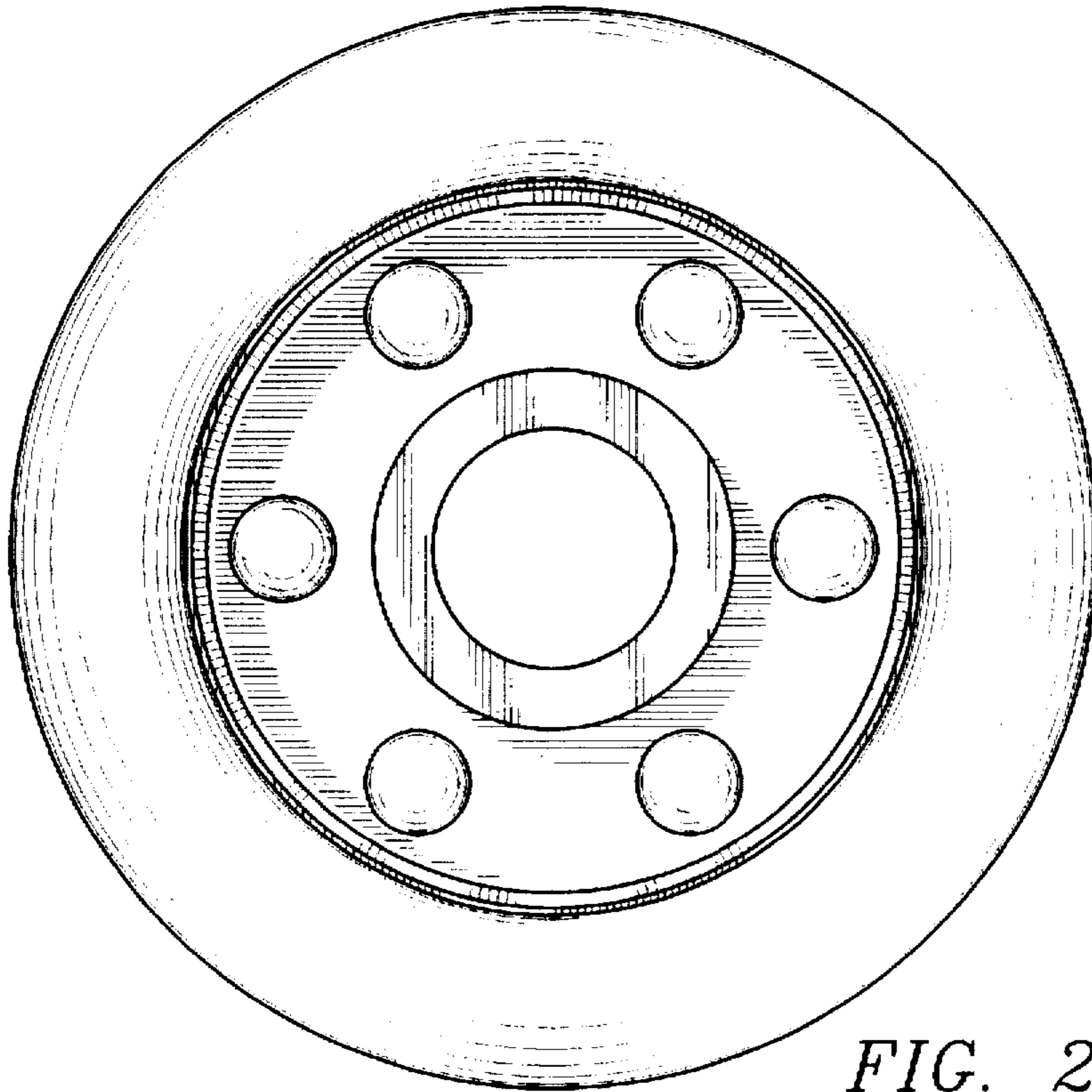


FIG. 2

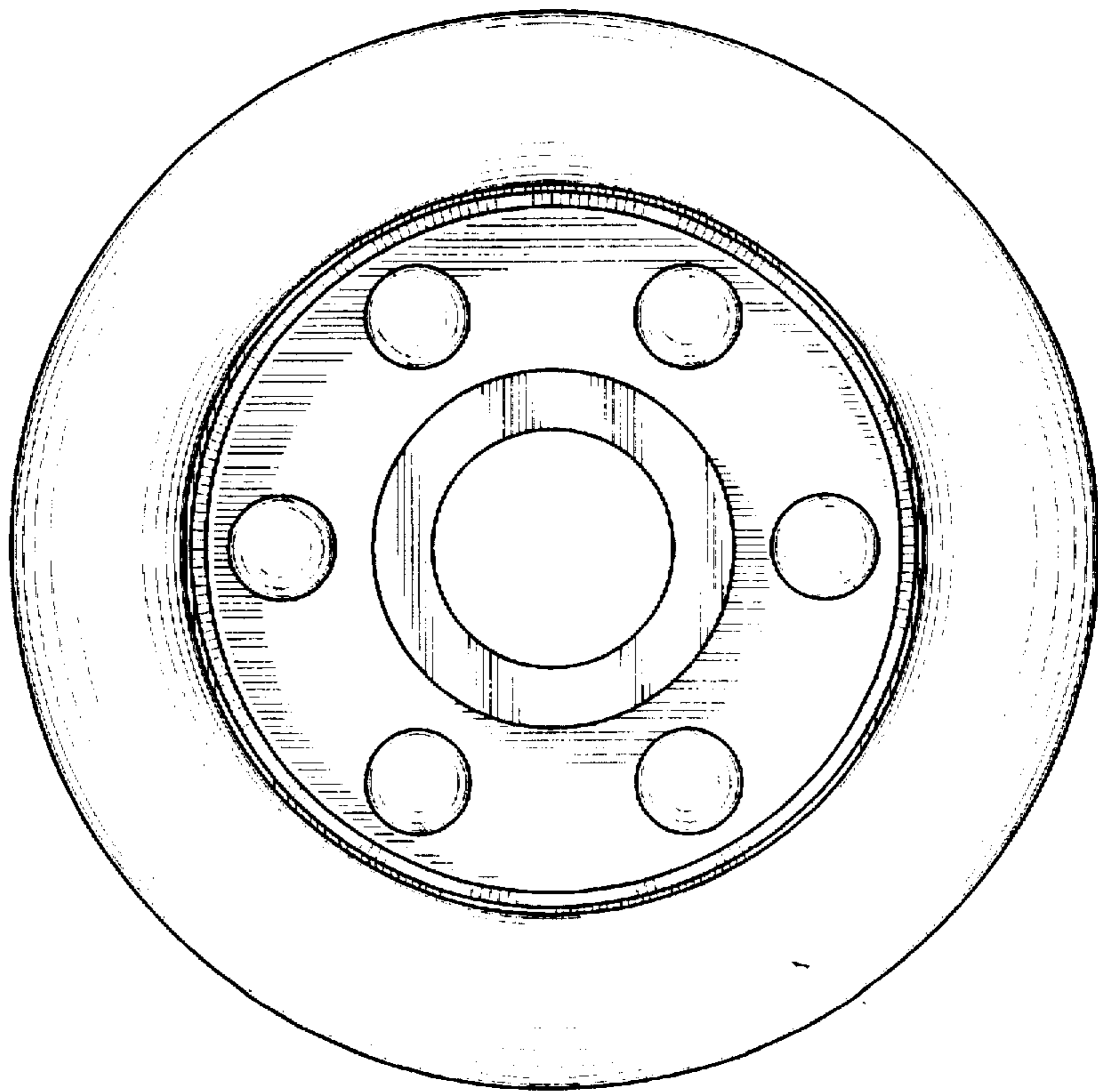


FIG. 3

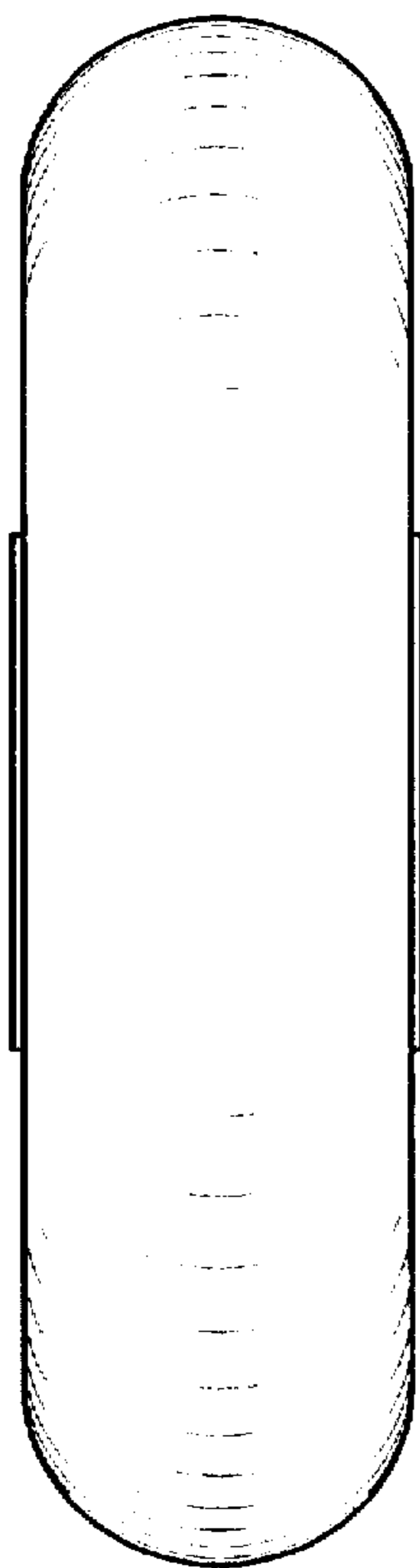


FIG. 4

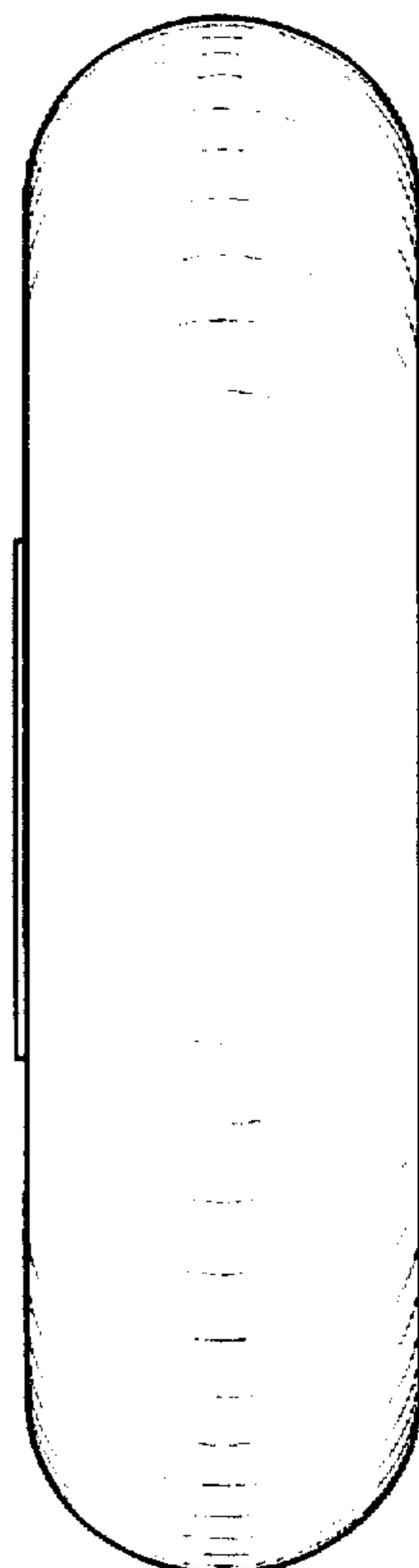


FIG. 5

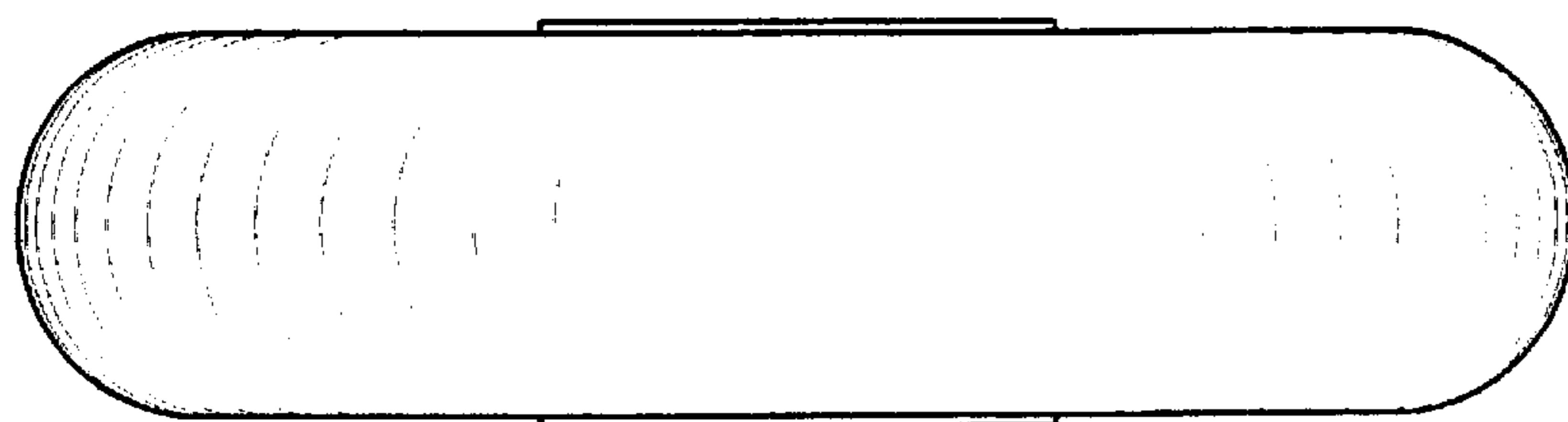


FIG. 6

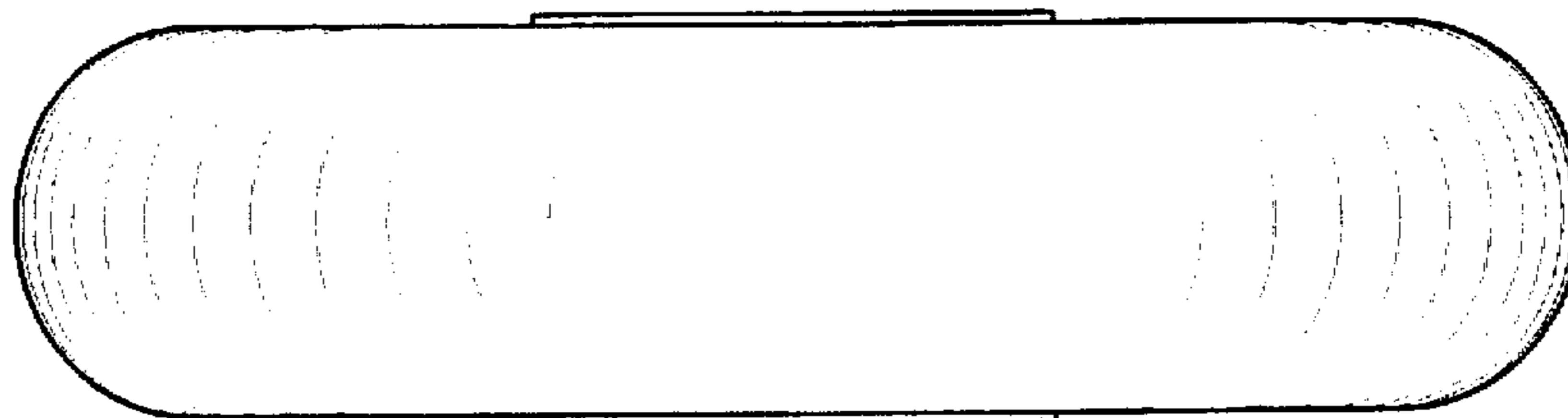


FIG. 7

