



US00D397389S

United States Patent [19]
Fung

[11] **Patent Number: Des. 397,389**

[45] **Date of Patent: **Aug. 25, 1998**

[54] **ROLLER SKATE**

4,304,417 12/1981 Hsieh 280/11.26
5,224,718 7/1993 Gertler 280/11.19

[75] **Inventor: Kenny Yiu Wing Fung, Hong Kong, Hong Kong**

FOREIGN PATENT DOCUMENTS

2035220 11/1993 United Kingdom .

[73] **Assignee: Grace Artificial Jewellery Manufacturing Company Limited, Hong Kong, Hong Kong**

OTHER PUBLICATIONS

Fisher Price Catalog May 1992 p. 31 Skate 3381 Center of Page.

[**] **Term: 14 Years**

Primary Examiner—Sandra L. Morris
Attorney, Agent, or Firm—Wood, Herron & Evans LLP

[21] **Appl. No.: 64,676**

[22] **Filed: Jan. 8, 1997**

[57] **CLAIM**

[30] **Foreign Application Priority Data**

Nov. 26, 1996 [GB] United Kingdom 2061172

The ornamental design for a roller skate, as shown and described.

[51] **LOC (6) Cl. 21-02**

DESCRIPTION

[52] **U.S. Cl. D21/226**

[58] **Field of Search D21/224-226; D2/904; 280/11.19, 11.2, 11.22, 11.23, 11.26-11.28; 301/5.3, 5.7**

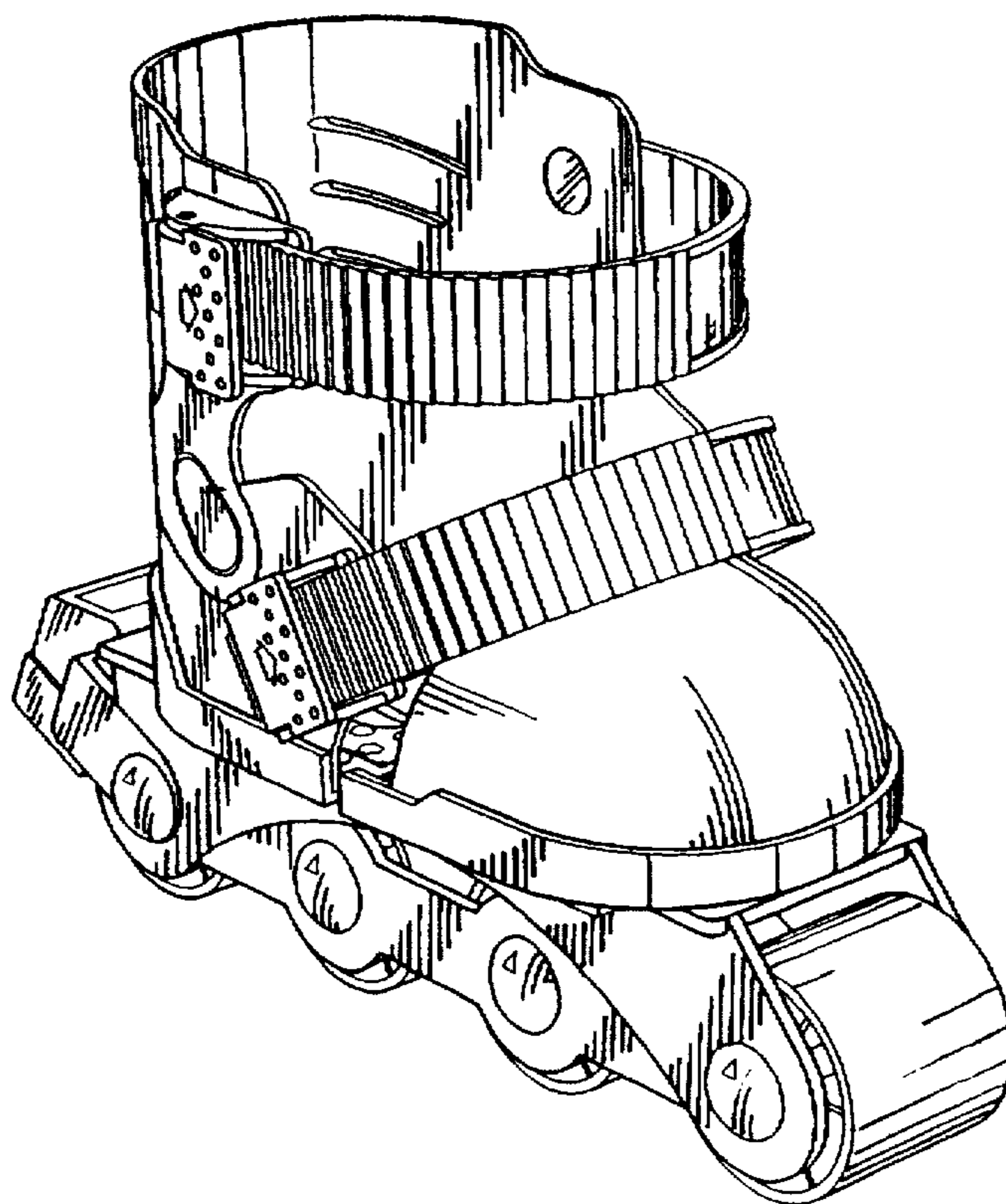
FIG. 1 is a front perspective view of a roller skate showing my new design;
FIG. 2 is a front elevation view thereof;
FIG. 3 is a rear elevation view thereof;
FIG. 4 is a right side elevation view thereof;
FIG. 5 is a left side elevation view thereof;
FIG. 6 is a top plan view thereof;
FIG. 7 is a bottom plan view thereof;
FIG. 8 is a front perspective view thereof in an expanded position;
FIG. 9 is a top plan view thereof in an expanded position; and,
FIG. 10 is a right side elevation view thereof in an expanded position.

[56] **References Cited**

U.S. PATENT DOCUMENTS

- D. 237,991 12/1975 Famolare, Jr. D21/226
- D. 282,095 1/1986 Robjent et al. D21/226
- D. 288,109 2/1987 Klamer D21/226
- D. 288,225 2/1987 Klamer D21/226
- D. 315,940 4/1991 Wehmeyer D21/226
- D. 344,316 2/1994 Gertler D21/226
- D. 347,237 5/1994 Robjent et al. D21/226
- D. 353,429 12/1994 Gay et al. D21/226
- D. 373,609 9/1996 Santarsiero et al. D21/226

1 Claim, 6 Drawing Sheets



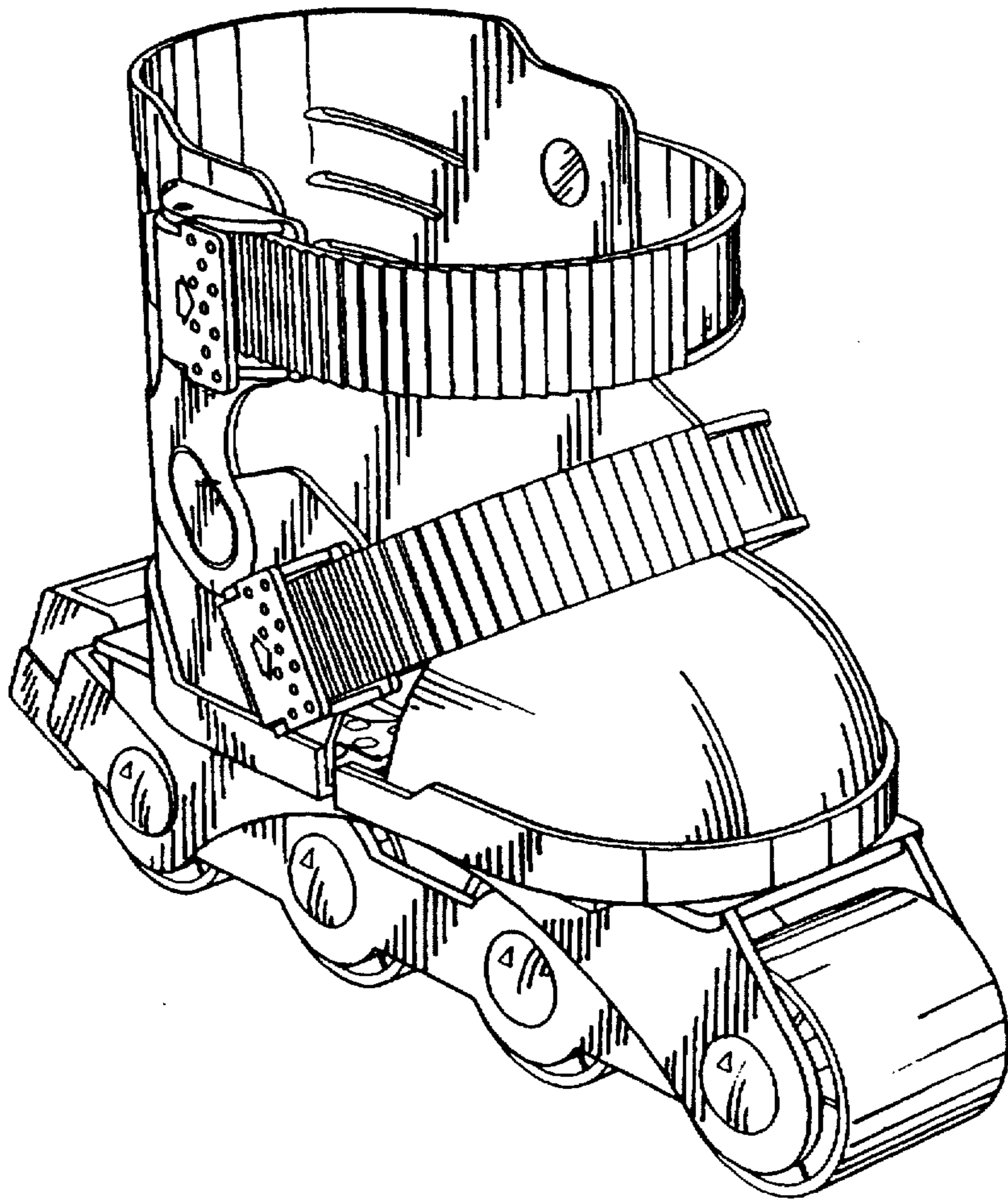


FIG. 1

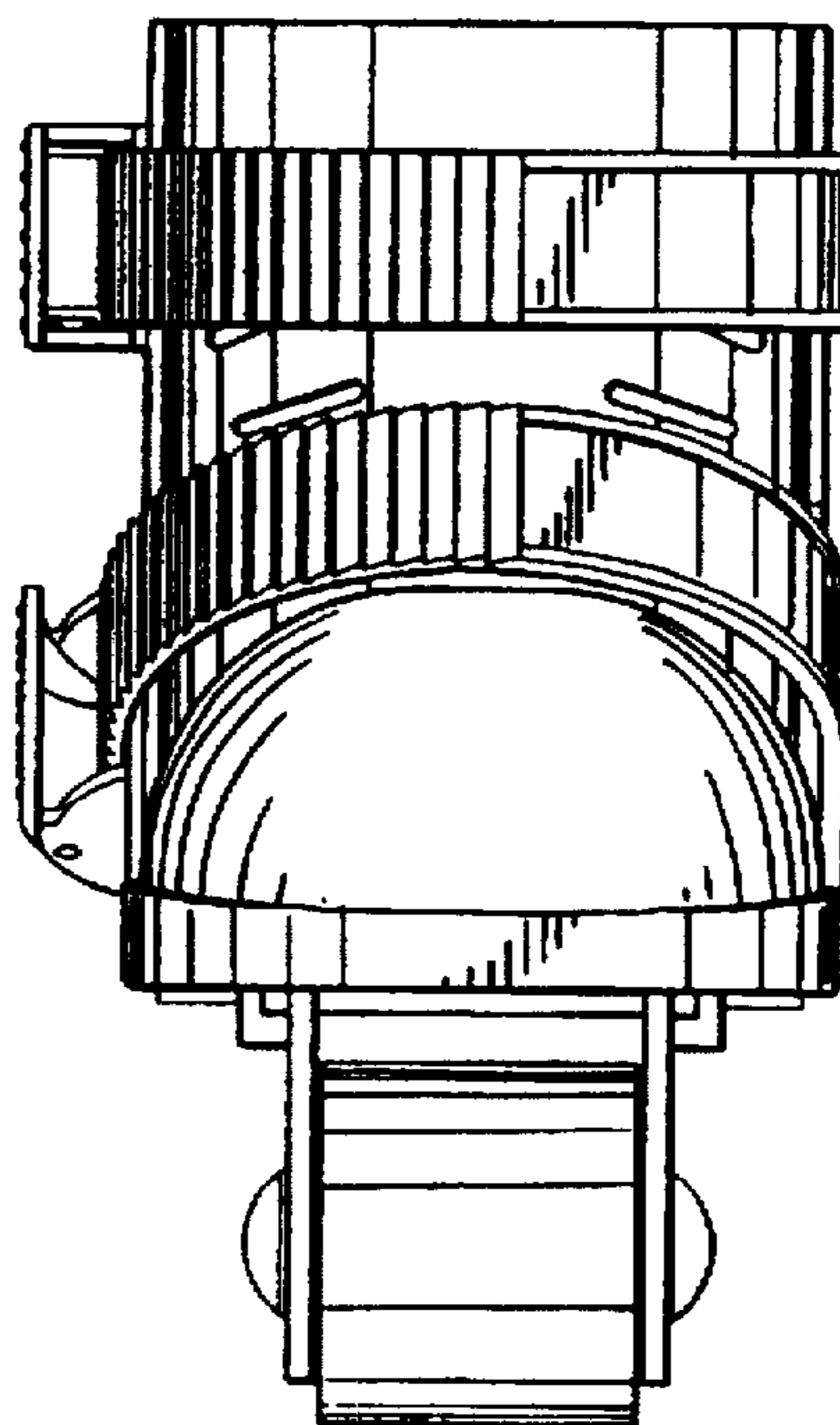


FIG. 2

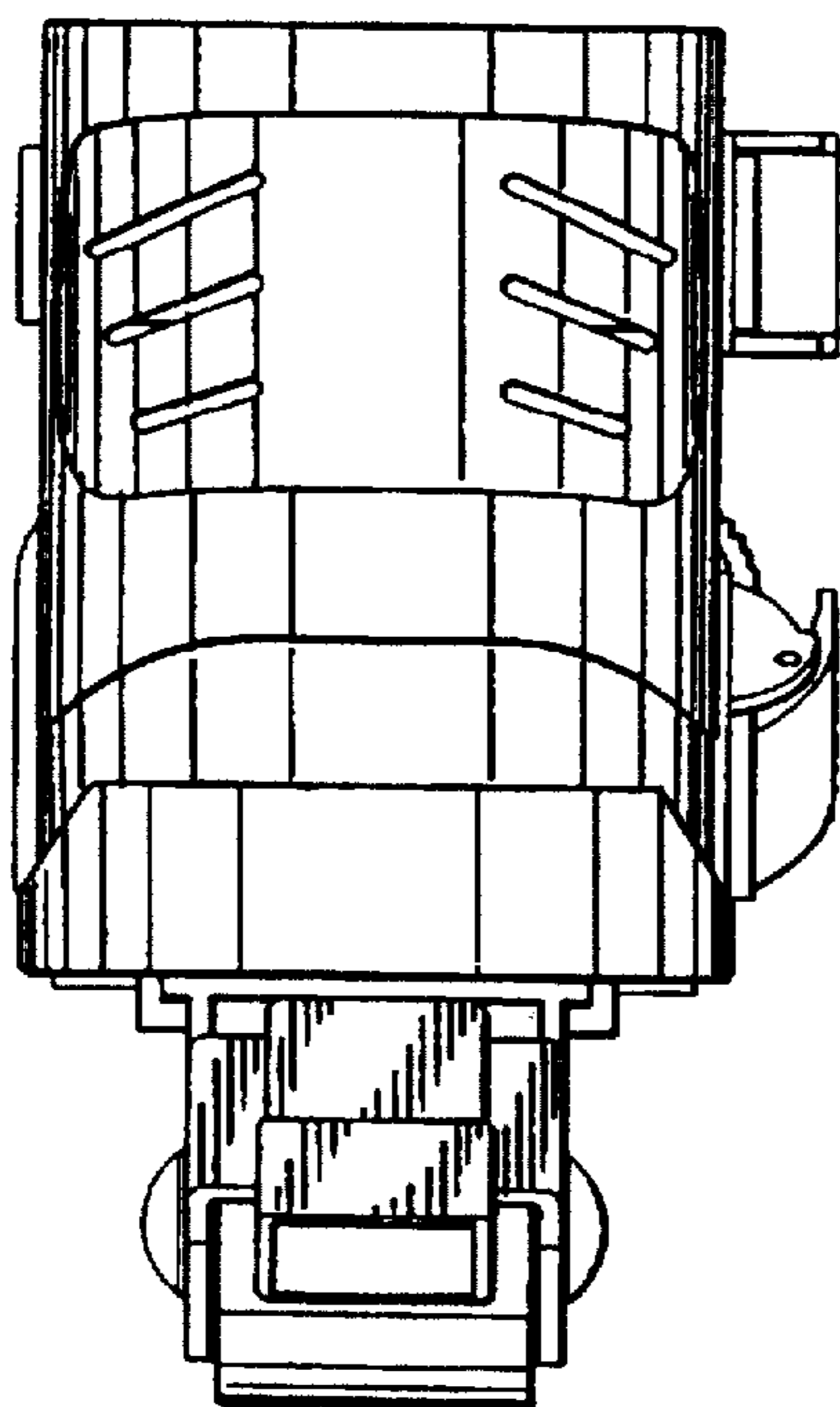


FIG. 3

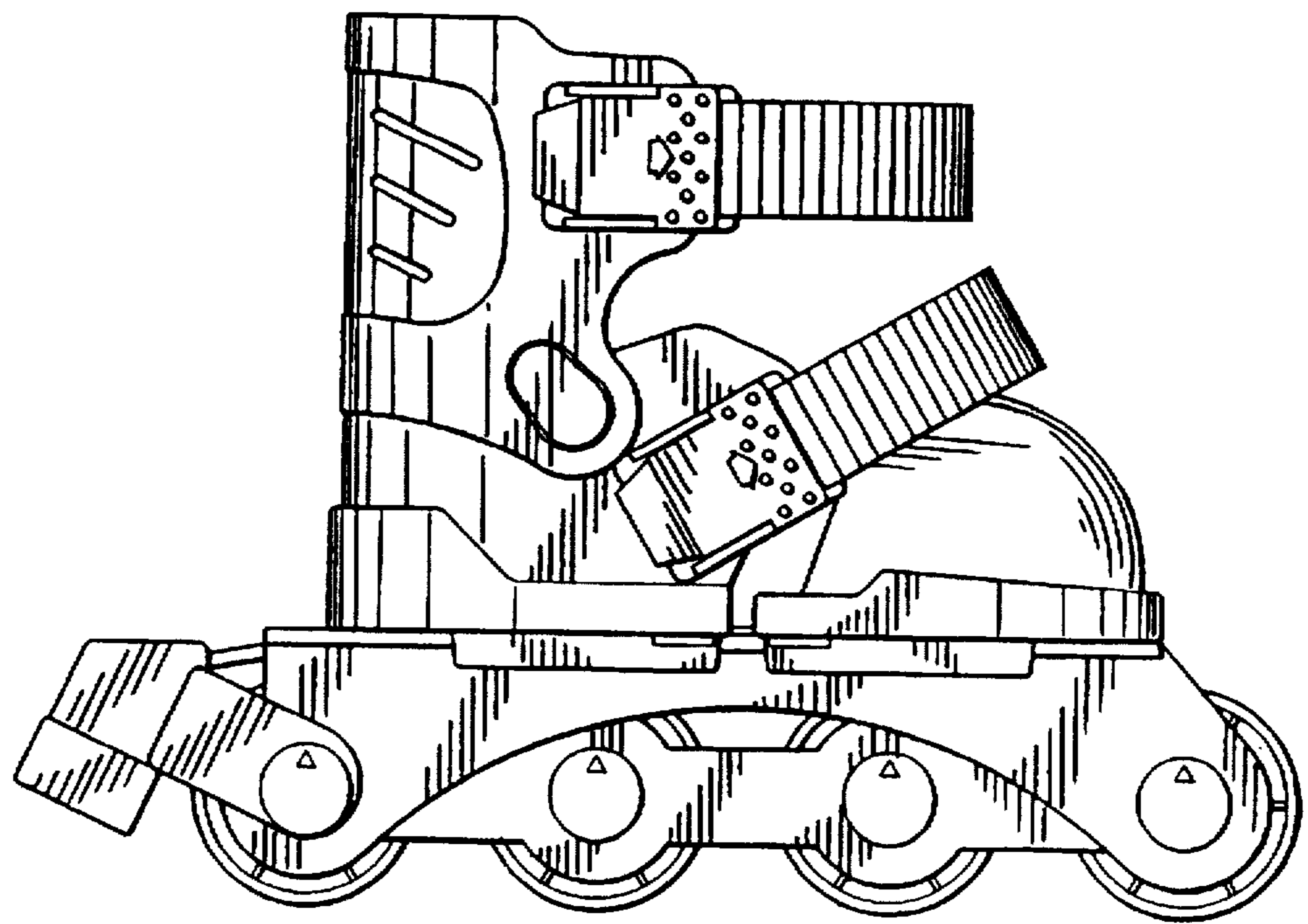


FIG. 4

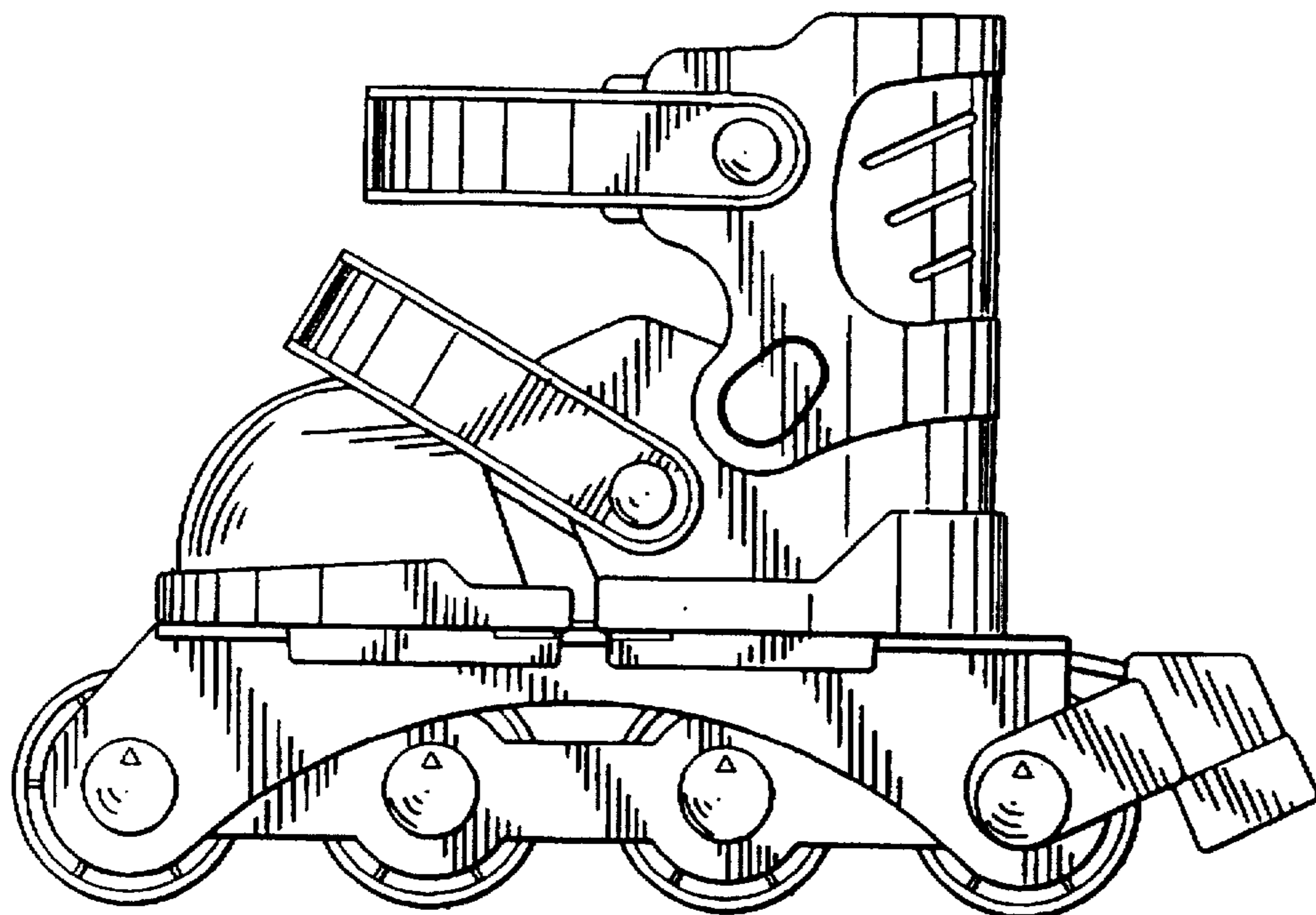


FIG. 5

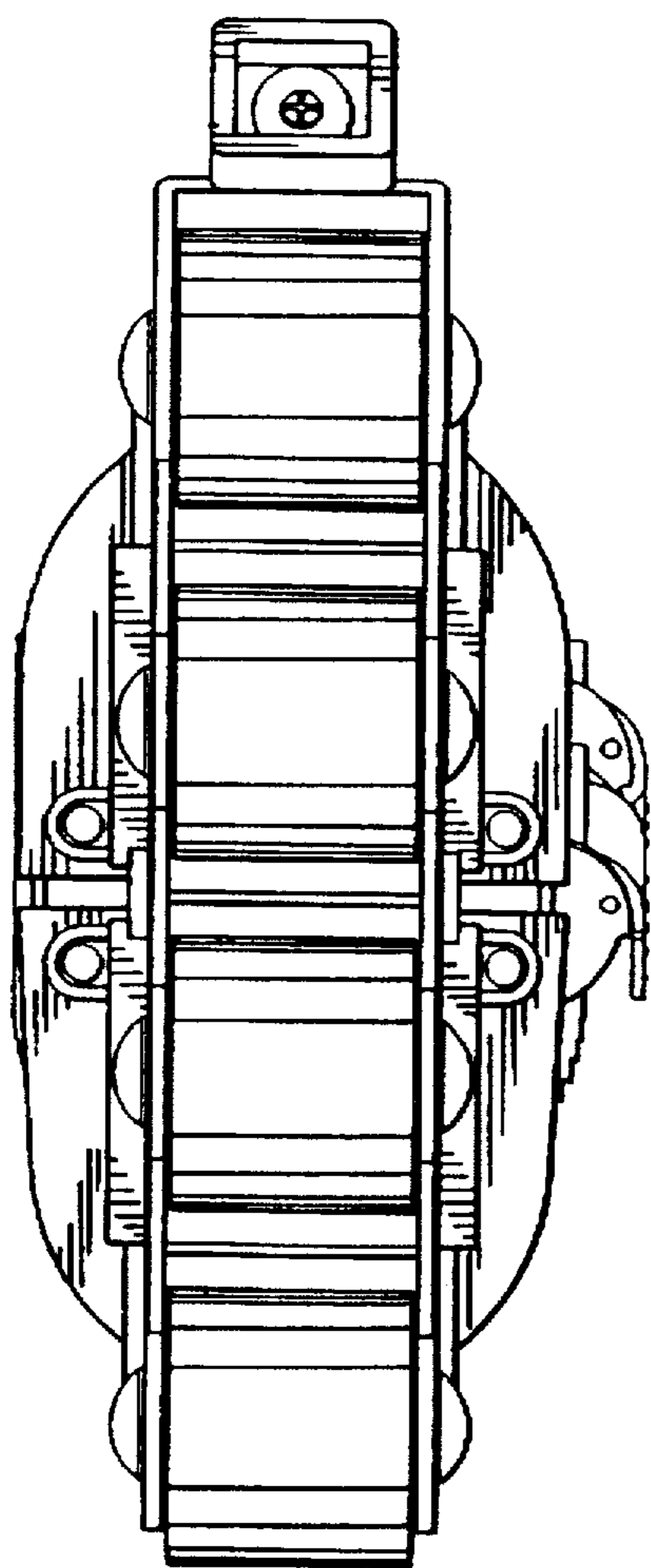


FIG. 7

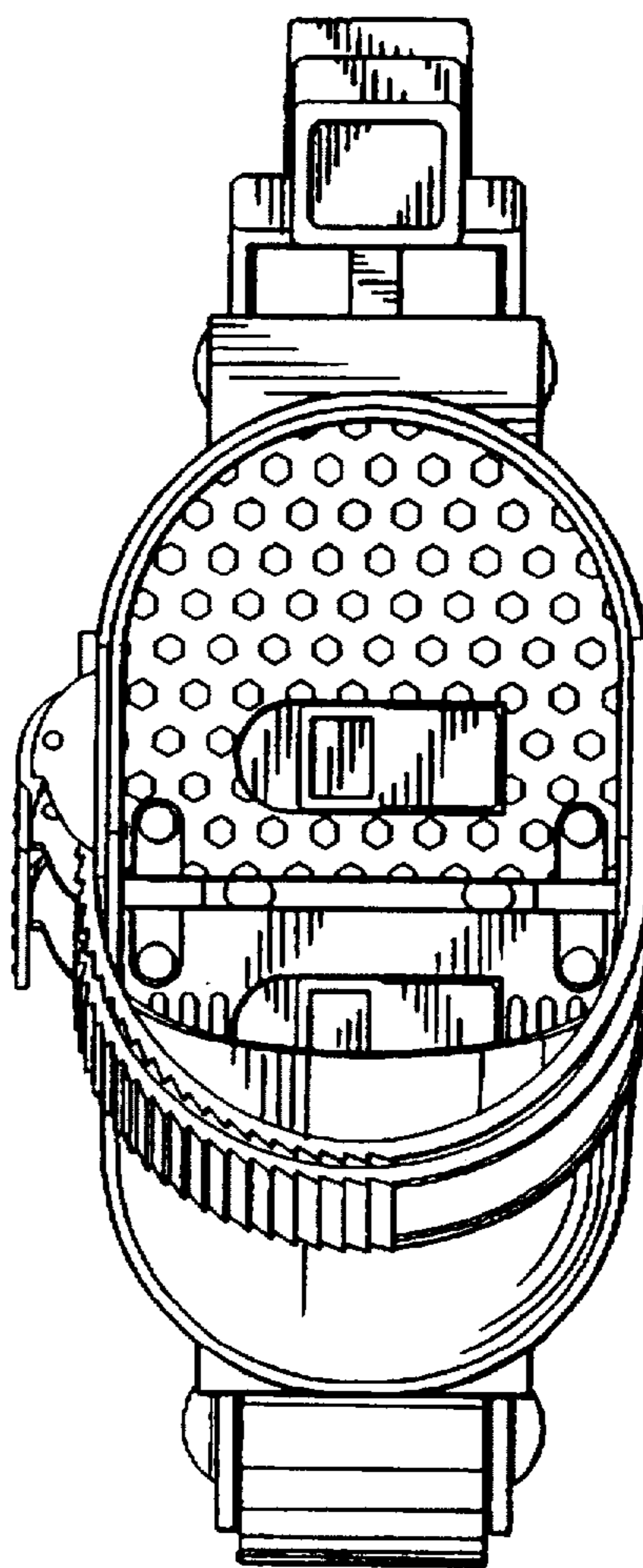


FIG. 6

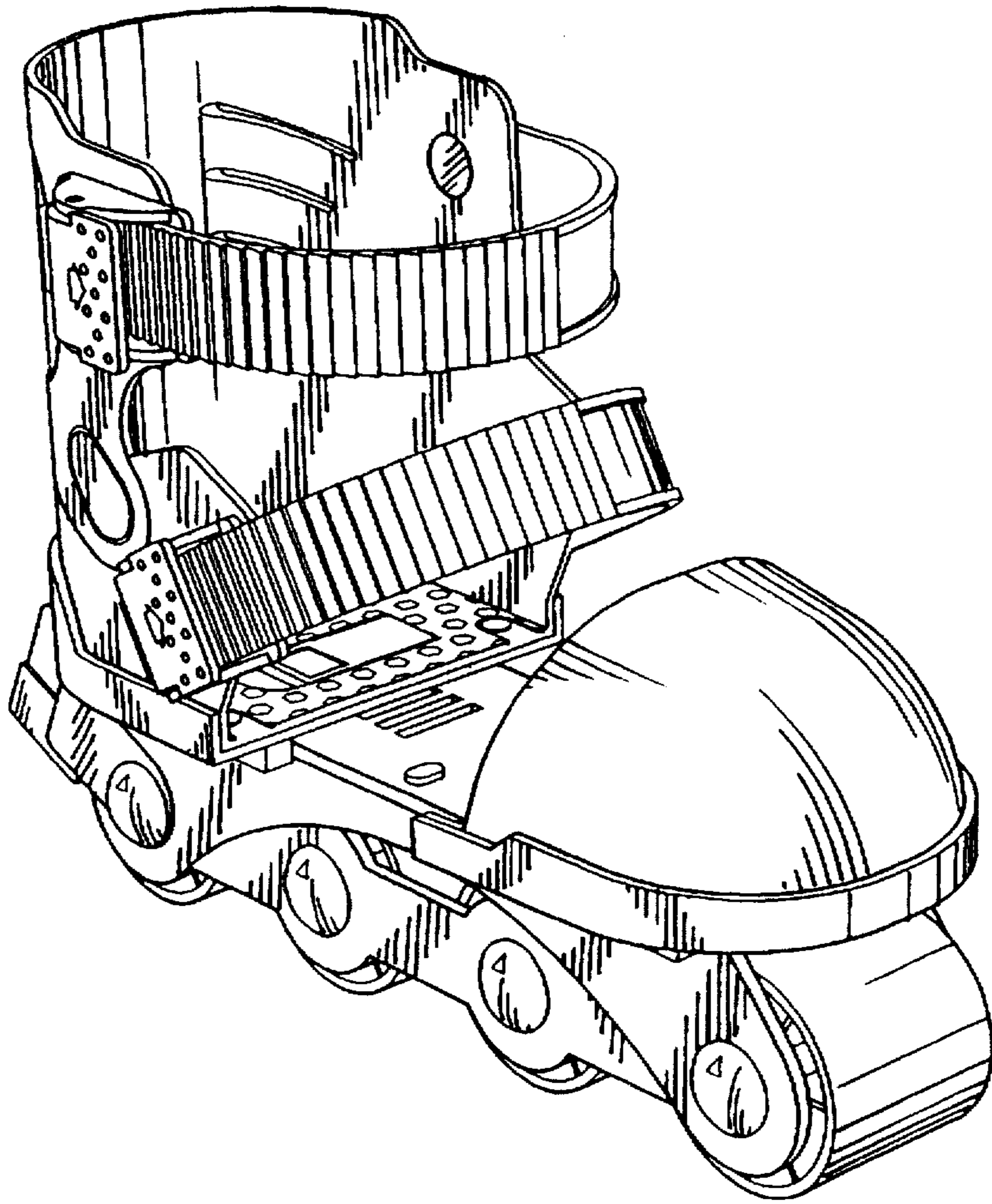


FIG. 8

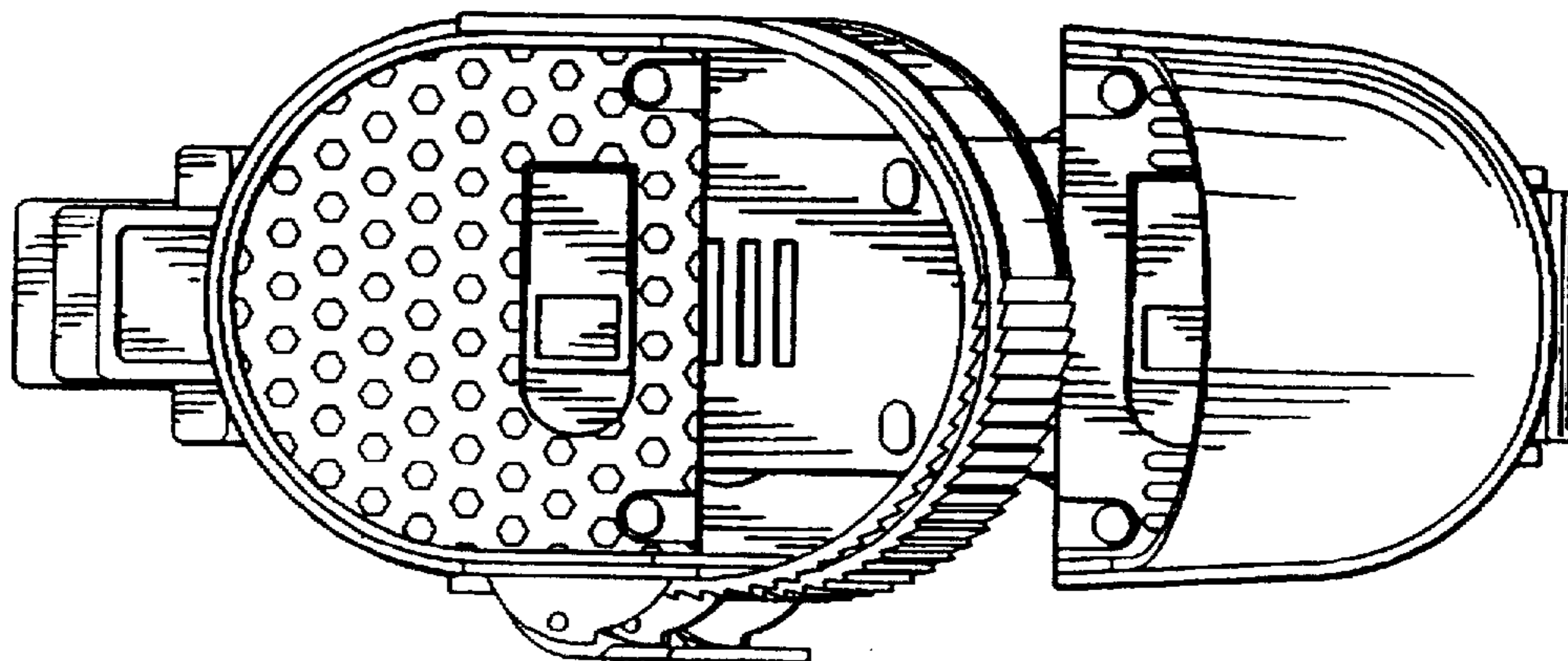


FIG. 9

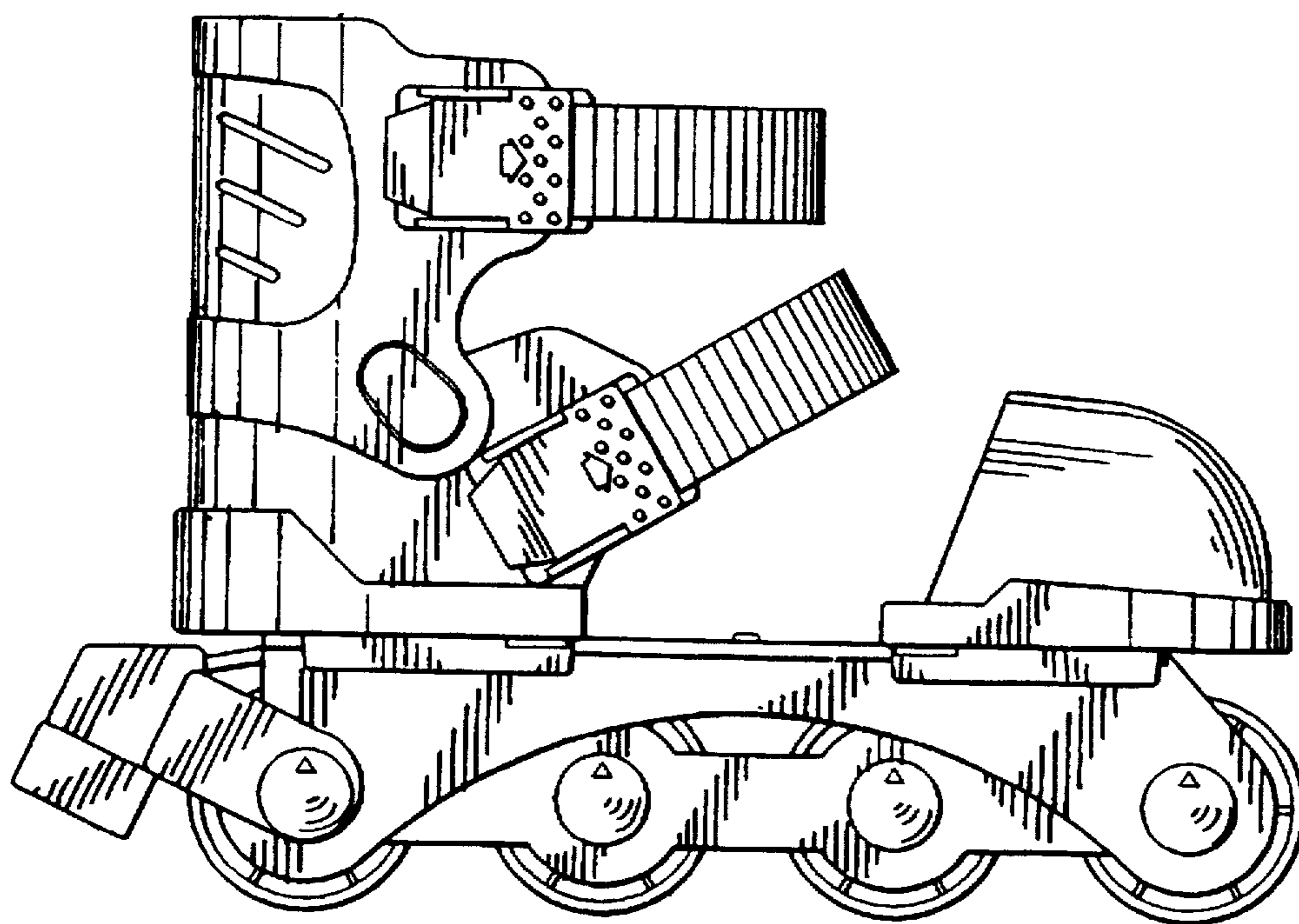


FIG. 10