

US00D397383S

# United States Patent [19]

Sands et al.

[11] Patent Number: Des. 397,383

[45] Date of Patent: \*\*Aug. 25, 1998

[54] **EXERCISER**

[76] Inventors: **Lenny Sands**, 4555 Reseda Blvd., Tarzana, Calif. 91356; **Johnson Kuo**, 5F., No. 6, Lane 12, Sec. 6, Hsin 1 Rd., Taipei, Taiwan

[\*\*] Term: **14 Years**

[21] Appl. No.: **72,809**

[22] Filed: **Jul. 2, 1997**

[51] LOC (6) Cl. .... **21-02**

[52] U.S. Cl. .... **D21/194; D21/191**

[58] Field of Search ..... D21/191, 192, D21/193, 194, 195; 482/51, 52, 53, 54, 57, 70, 74, 79, 80

[56] **References Cited**

**U.S. PATENT DOCUMENTS**

D. 325,235	4/1992	Wang	.....	D21/198
D. 372,282	7/1996	Pasero et al.	.....	D21/194
5,383,829	1/1995	Miller	.....	482/57
5,518,473	5/1996	Miller	.....	482/57

5,529,554	6/1996	Eschenbach	.....	482/57
5,540,637	7/1996	Rodgers, Jr.	.....	482/57
5,549,526	8/1996	Rodgers, Jr.	.....	482/57
5,562,574	10/1996	Miller	.....	482/57
5,577,985	11/1996	Miller	.....	482/57
5,611,756	3/1997	Miller	.....	482/57

Primary Examiner—Philip S. Hyder  
Attorney, Agent, or Firm—Varndell Legal Group

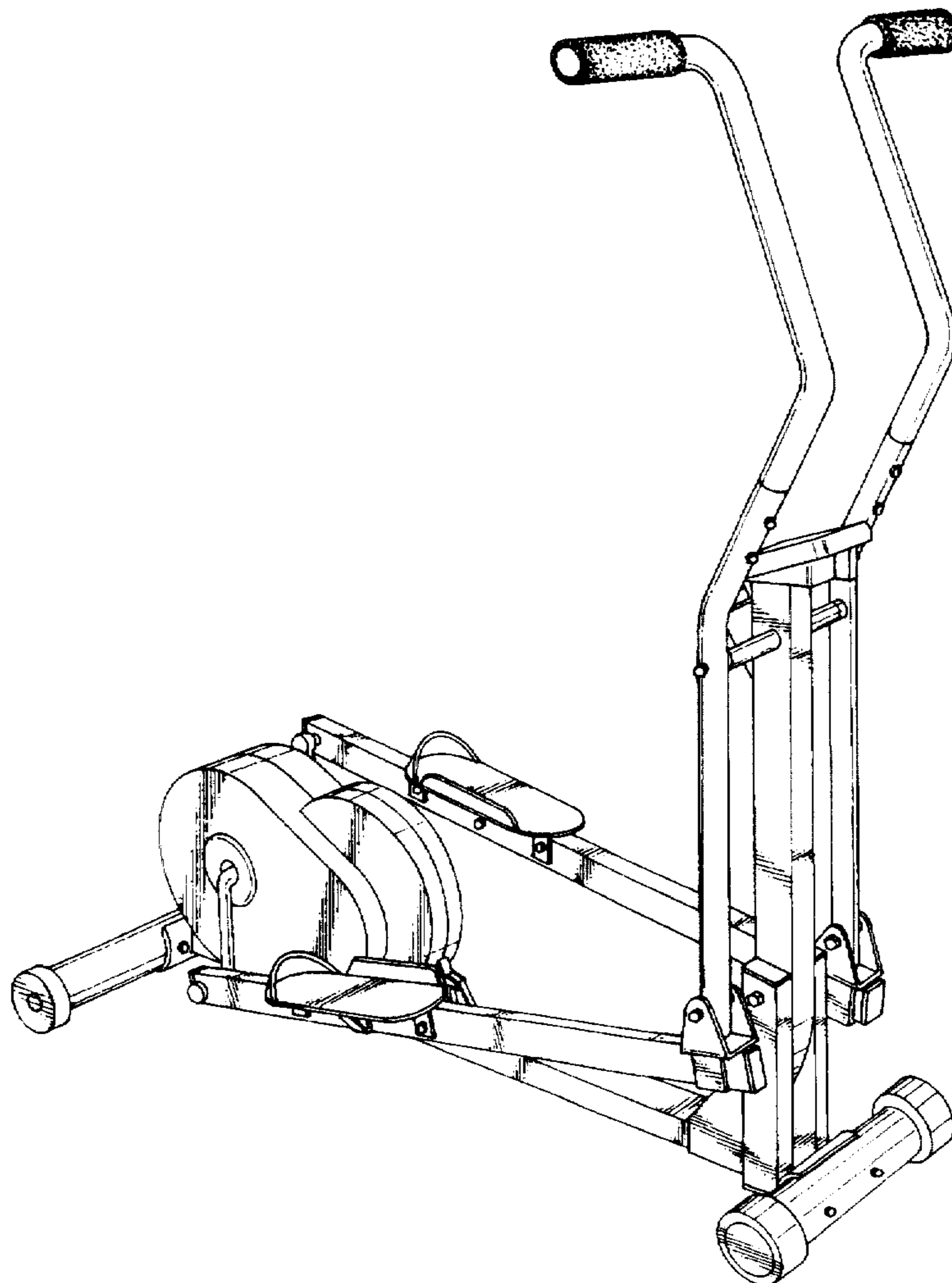
[57] **CLAIM**

The ornamental design for an exerciser, as shown and described.

**DESCRIPTION**

FIG. 1 is a perspective view of an exerciser showing our new design;  
FIG. 2 is a front elevational view thereof;  
FIG. 3 is a rear elevational view thereof;  
FIG. 4 is a top plan view thereof;  
FIG. 5 is a bottom plan view thereof;  
FIG. 6 is a left side elevational view thereof; and,  
FIG. 7 is a right side elevational view thereof.

**1 Claim, 7 Drawing Sheets**



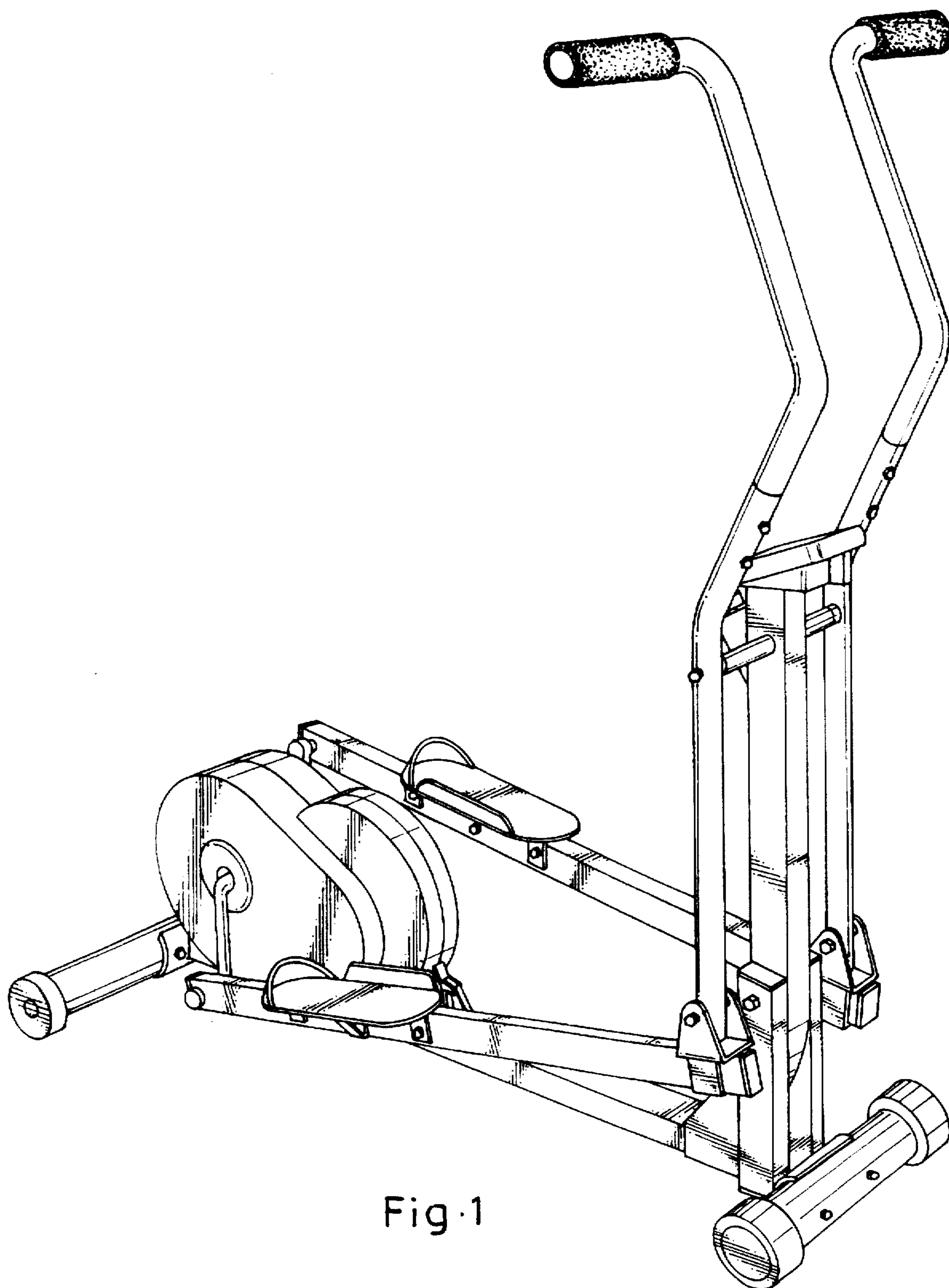


Fig. 1

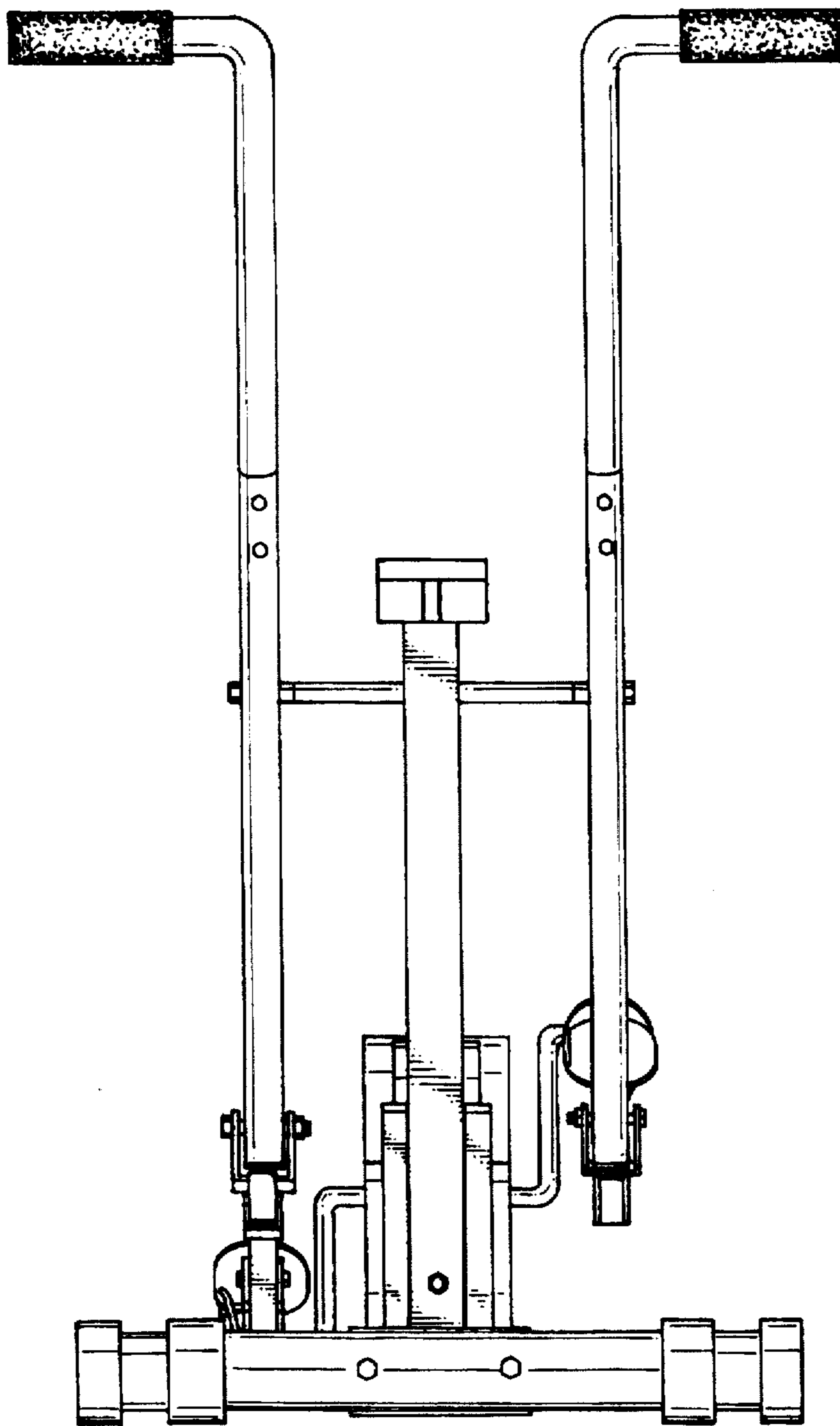


Fig. 2

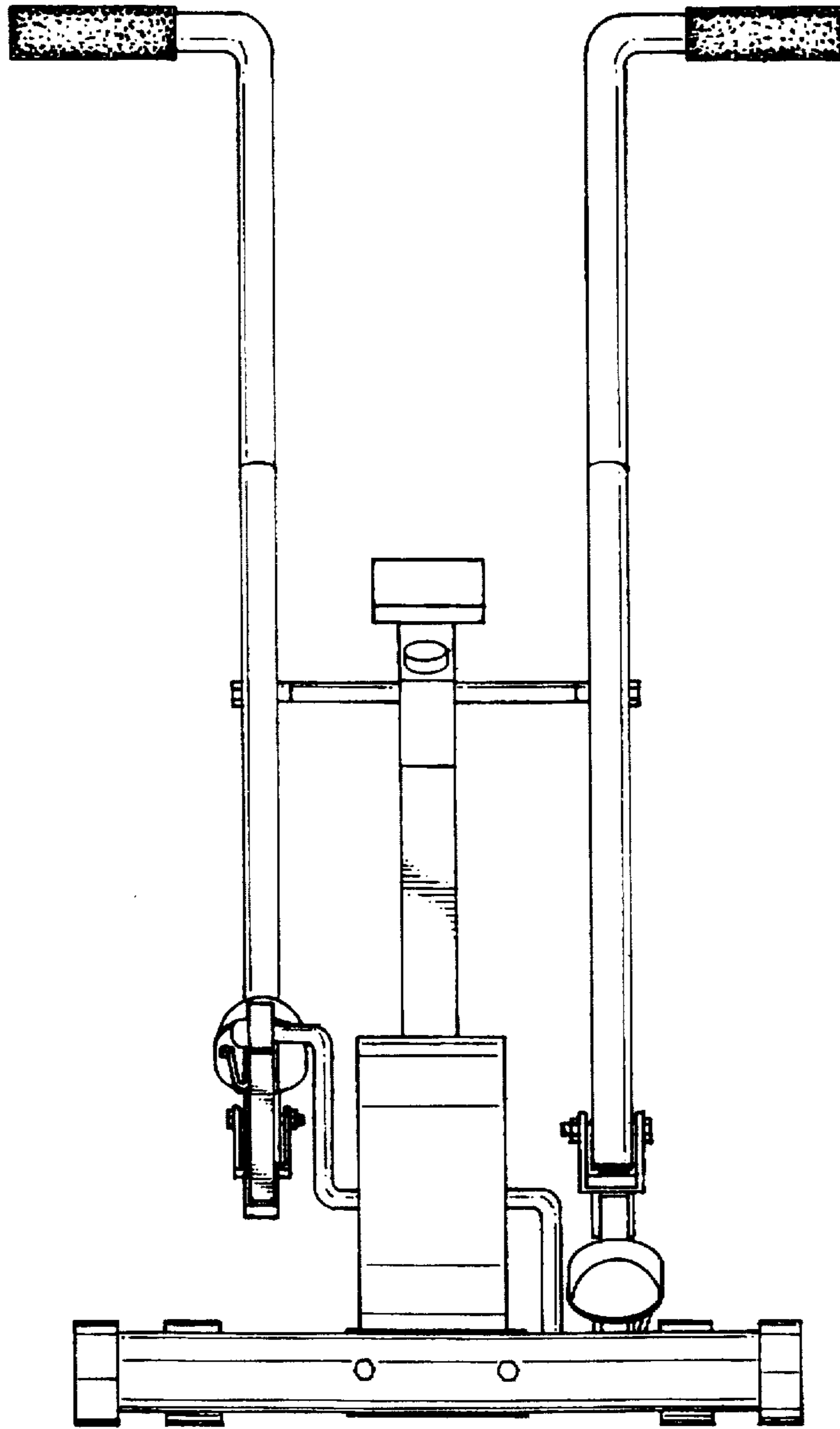


Fig. 3

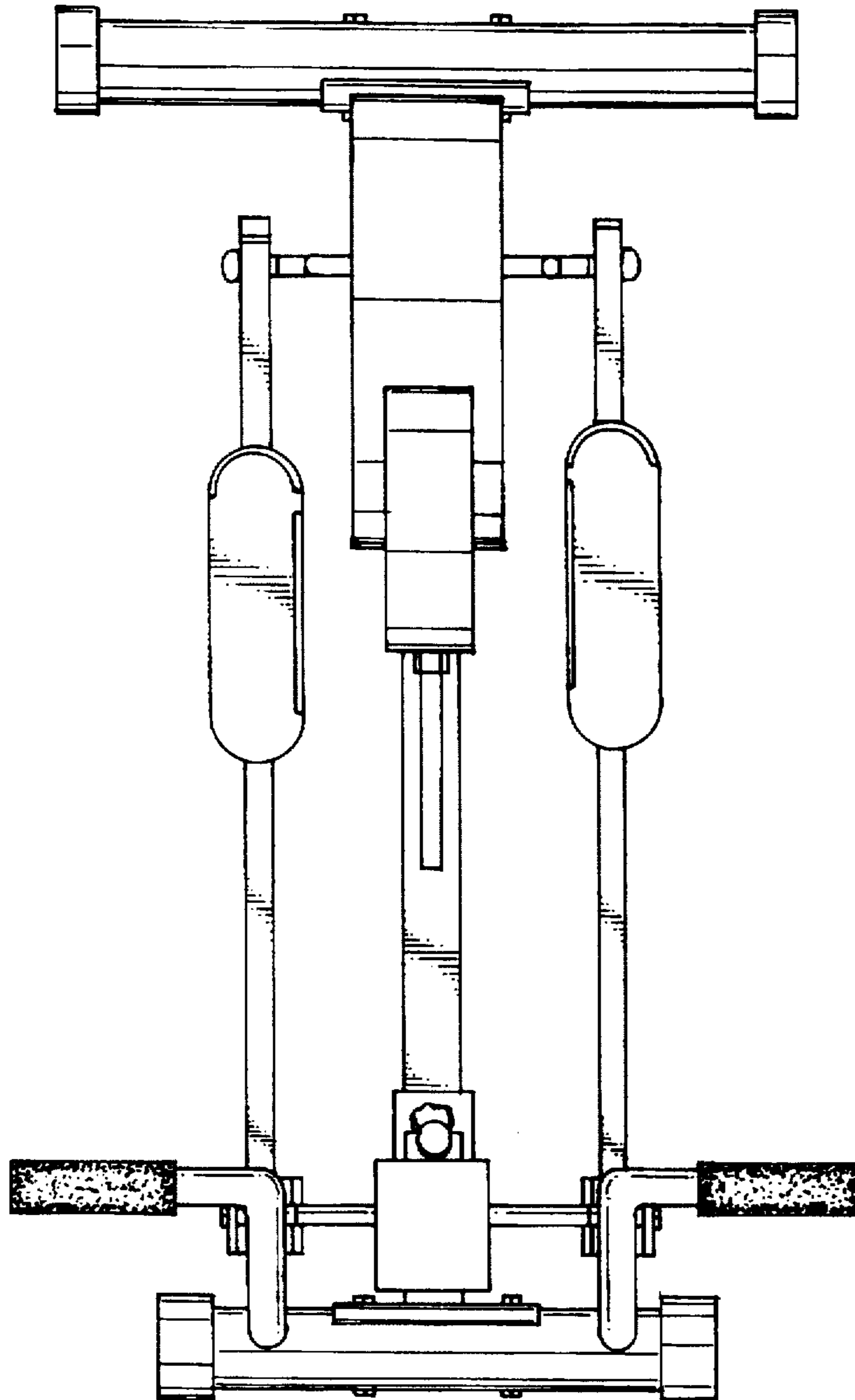


Fig. 4

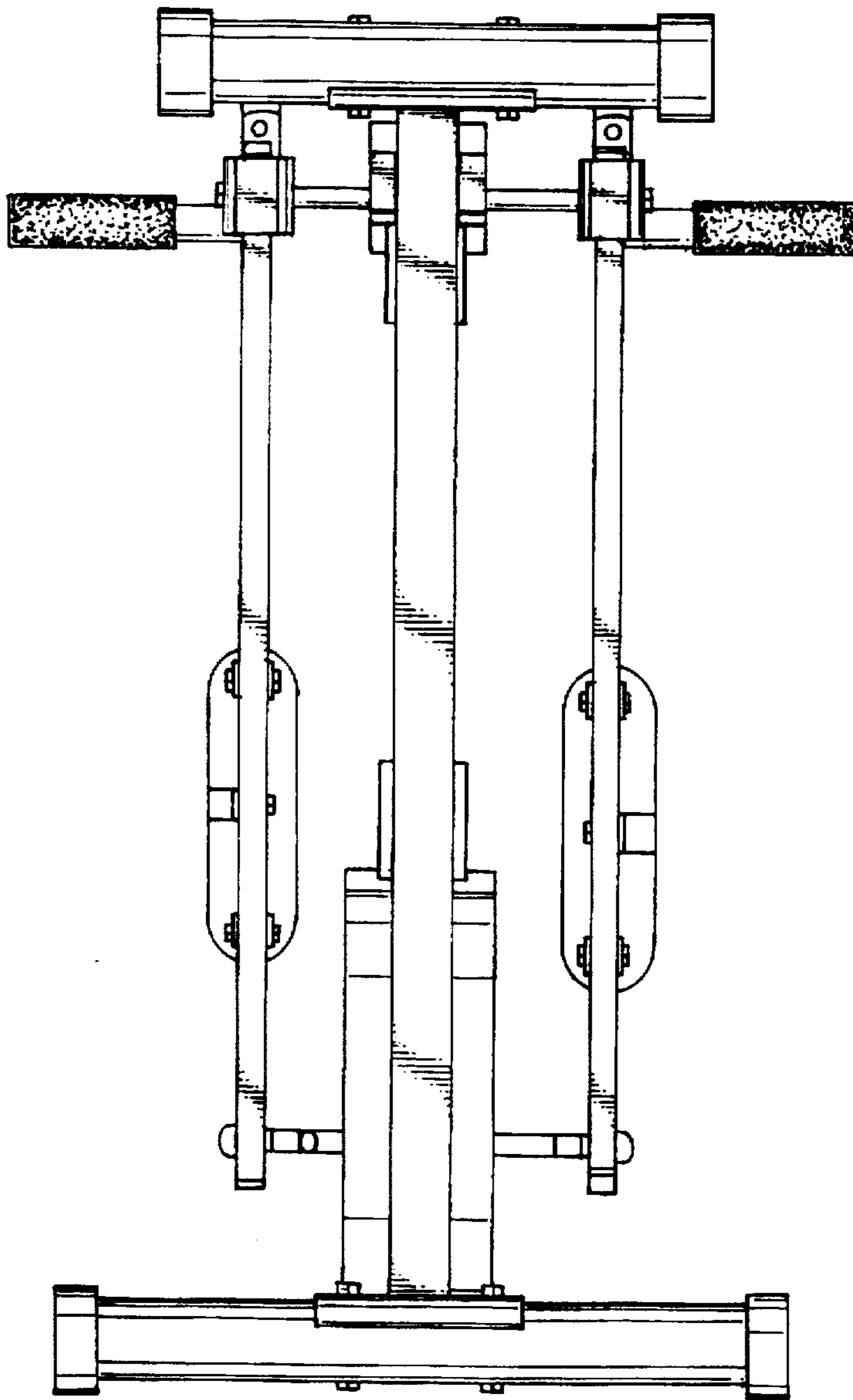


Fig. 5

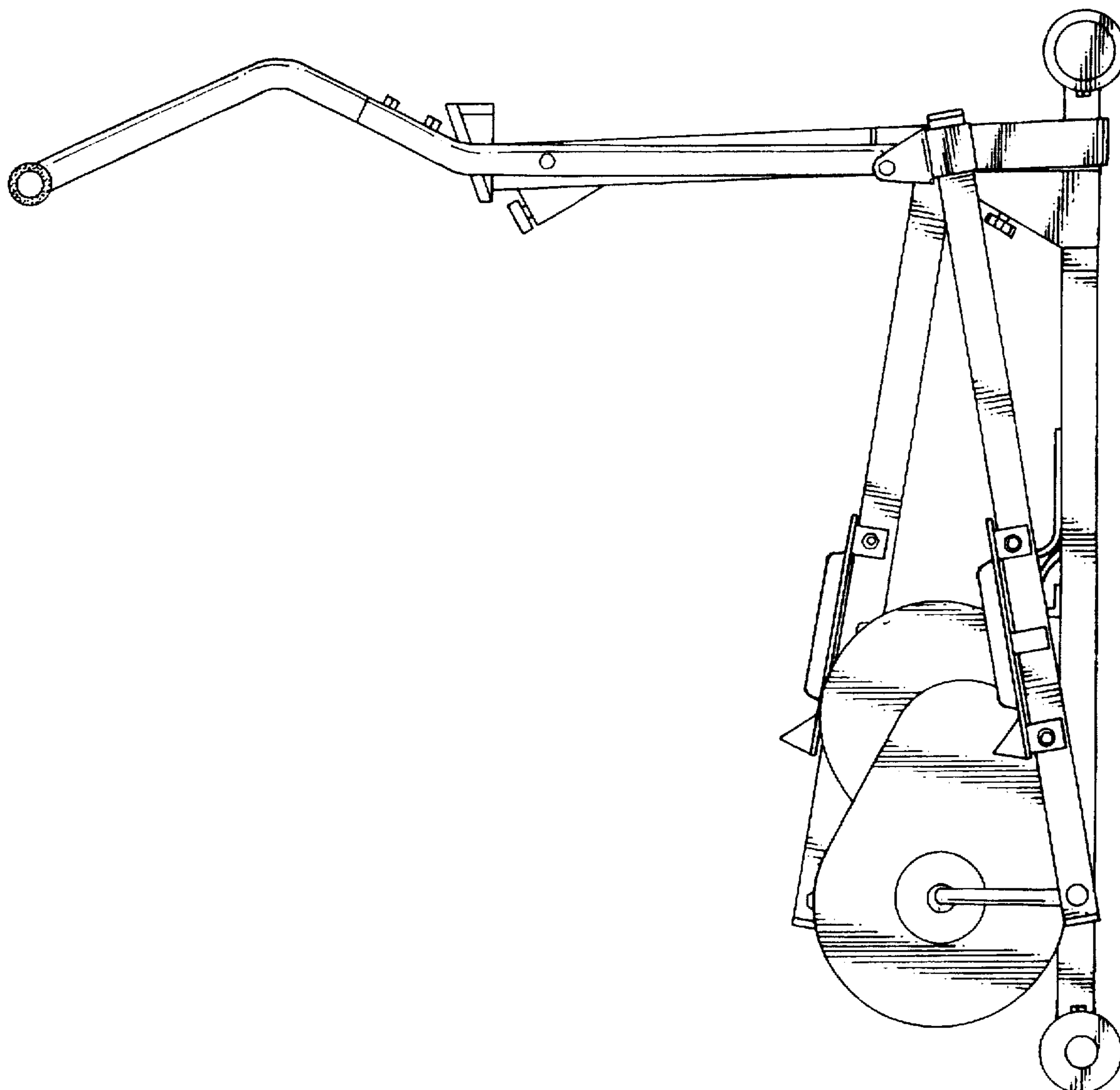


Fig. 6

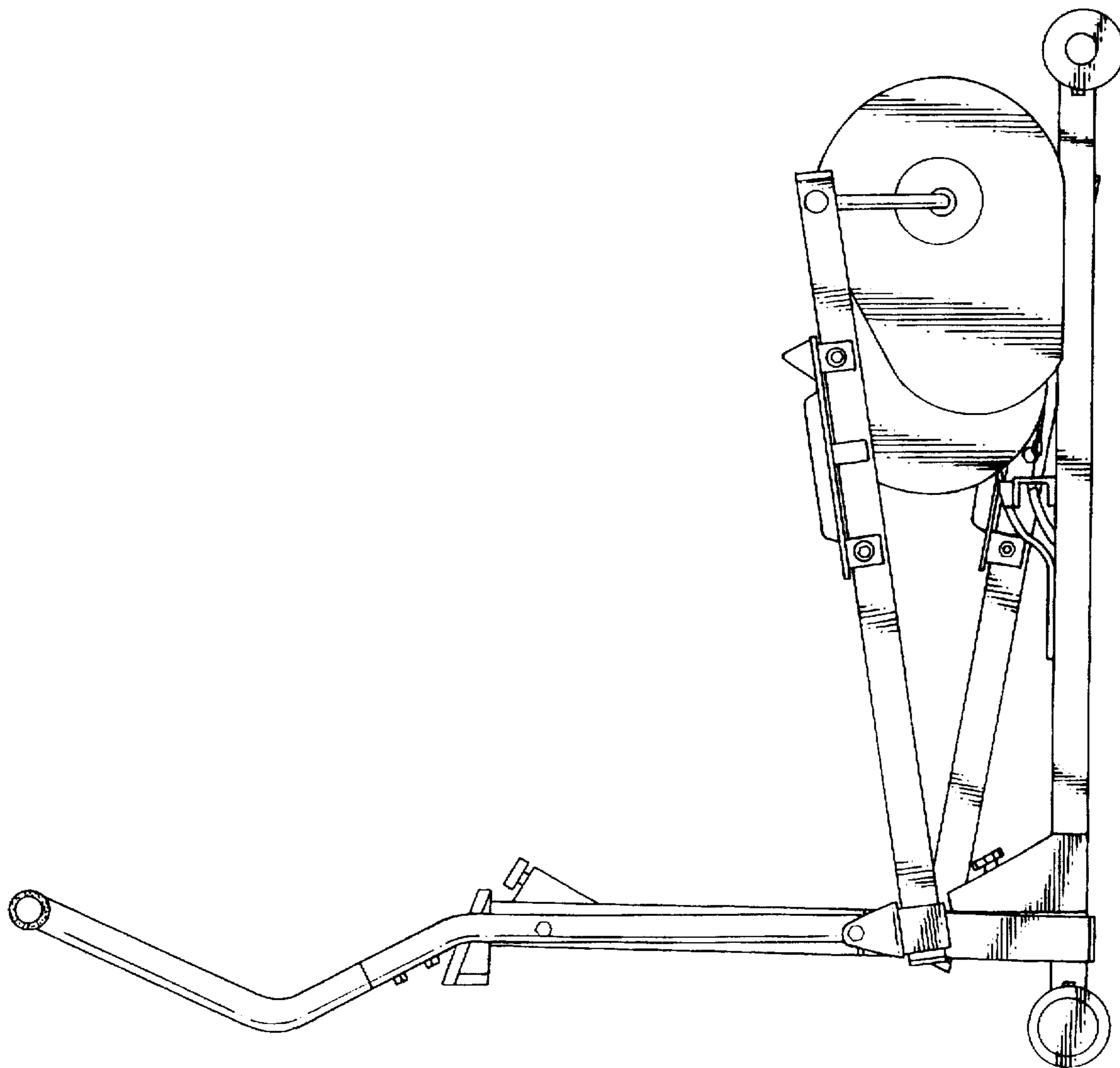


Fig. 7