



US00D397376S

United States Patent [19]
Hwang

[11] **Patent Number: Des. 397,376**
[45] **Date of Patent: **Aug. 25, 1998**

[54] **MAGNETIC LEVITATION TOY**
[76] **Inventor: Sung Hyun Hwang, 502-1504, Sinwondang Apt., Sungsa-dong, Duckyang-ku, Koyang-si, Kyungki-do, 412-0202, Rep. of Korea**
[**] **Term: 14 Years**
[21] **Appl. No.: 75,616**
[22] **Filed: Sep. 3, 1997**
[30] **Foreign Application Priority Data**
Jul. 31, 1997 [KR] Rep. of Korea 97-16157
[51] **LOC (6) Cl. 21-01**
[52] **U.S. Cl. D21/59; D21/95**
[58] **Field of Search D21/59, 92, 95, D21/97, 241; 446/129-139; 472/68**

4,382,245 5/1983 Harrigan 446/129
4,414,775 11/1983 Jensen 446/129
5,409,420 4/1995 Setteducati 446/129

Primary Examiner—Dominic Simone
Attorney, Agent, or Firm—Staas & Halsey

[57] **CLAIM**

The ornamental design for a magnetic levitation toy, as shown.

DESCRIPTION

FIG. 1 is a perspective view of a magnetic levitation toy according to my new design;
FIG. 2 is a front elevation view thereof;
FIG. 3 is a rear elevation view thereof;
FIG. 4 is a left side elevation view thereof;
FIG. 5 is a top plan view thereof;
FIG. 6 is a bottom plan view thereof;
FIG. 7 is a perspective view thereof with a top shown in a levitated position over a base;
FIG. 8 is a front elevation view thereof with a top shown in a levitated position over a base; and,
FIG. 9 is a left side elevation view thereof with a top shown in a levitated position over a base.

[56] **References Cited**
U.S. PATENT DOCUMENTS
D. 31,017 6/1899 Seiler 21/95
D. 219,470 12/1970 Miller D21/95
D. 301,259 5/1989 Rubino D21/95
D. 356,347 3/1995 Nonaka et al. D21/95

1 Claim, 9 Drawing Sheets

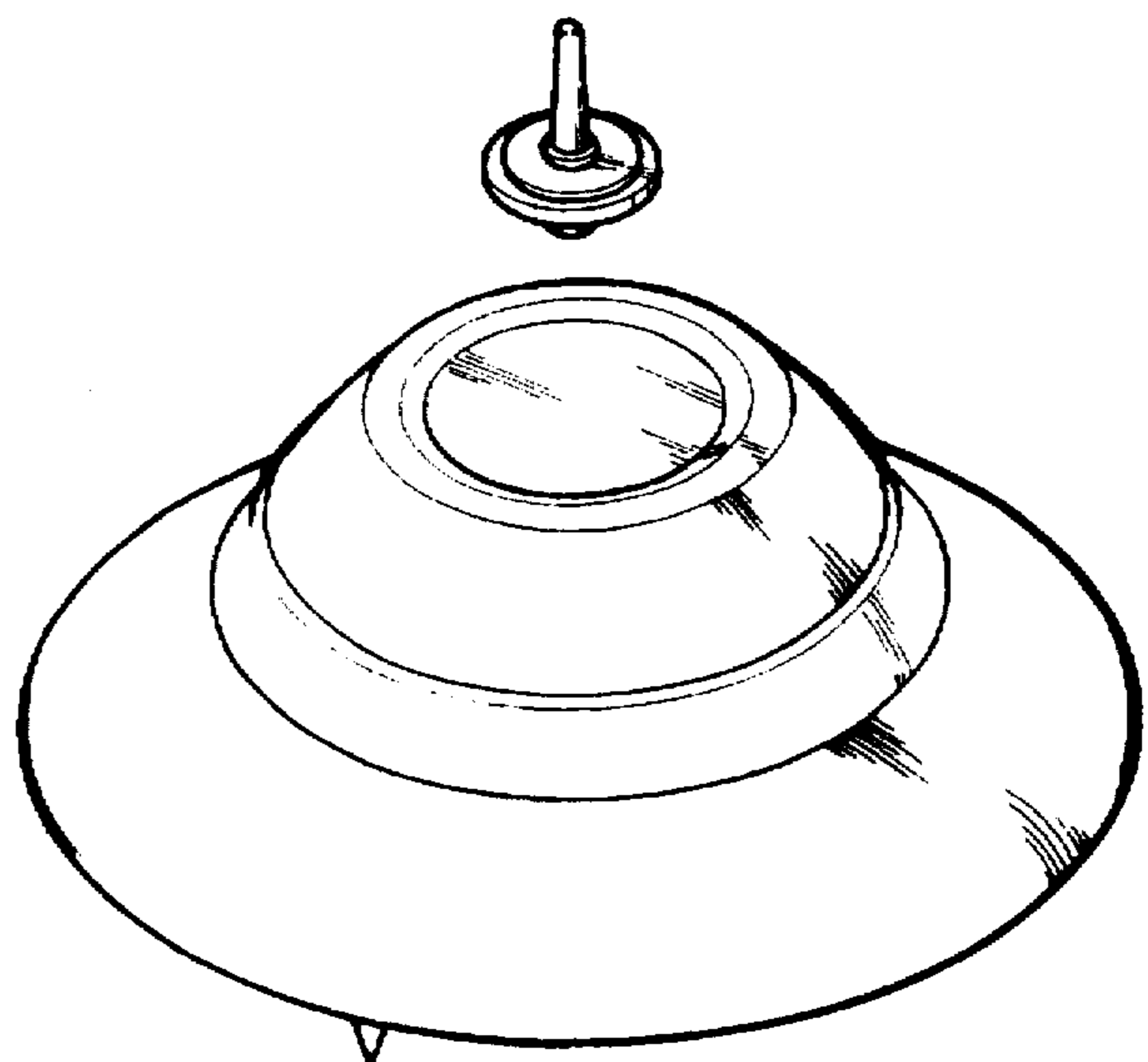
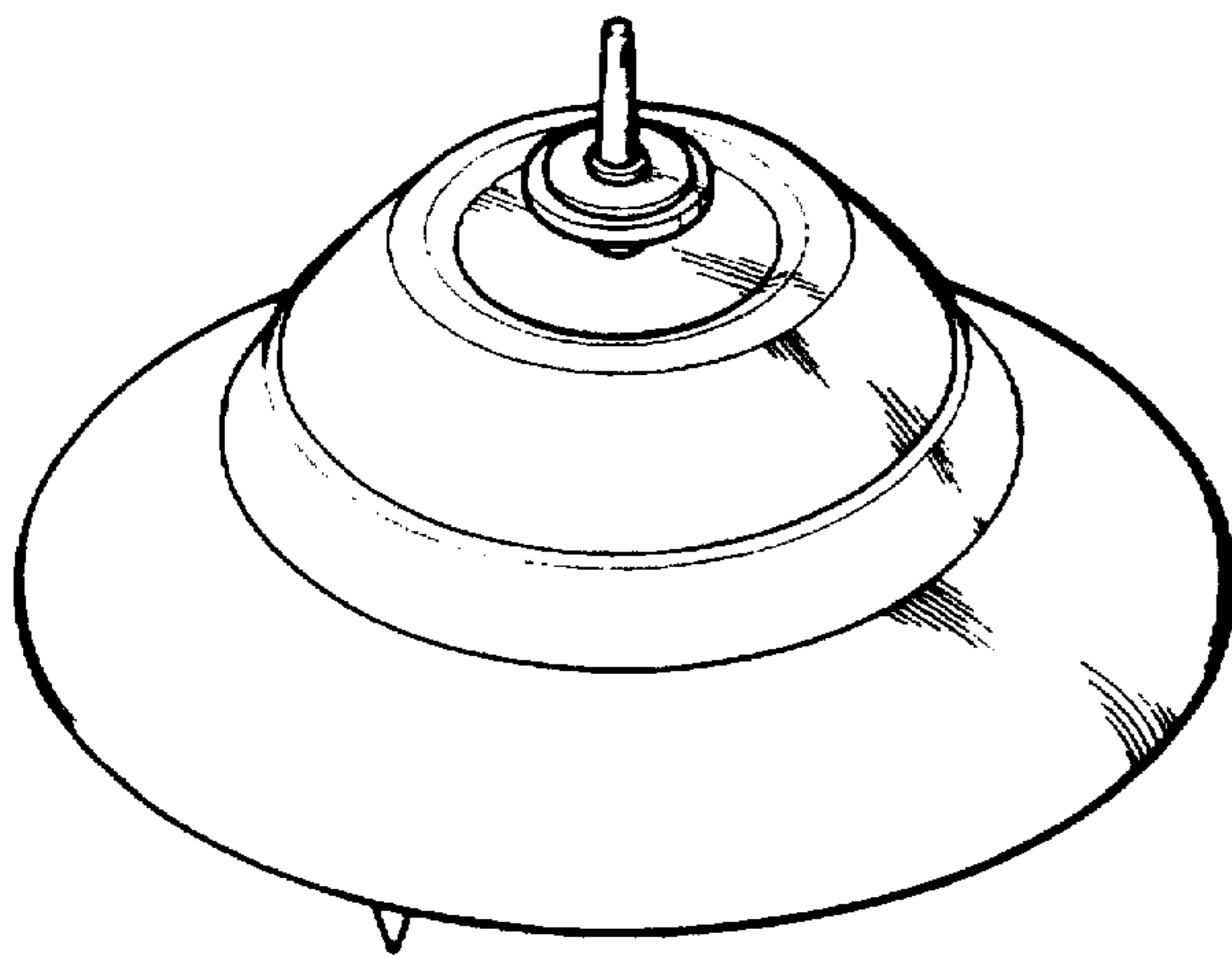


FIG 1

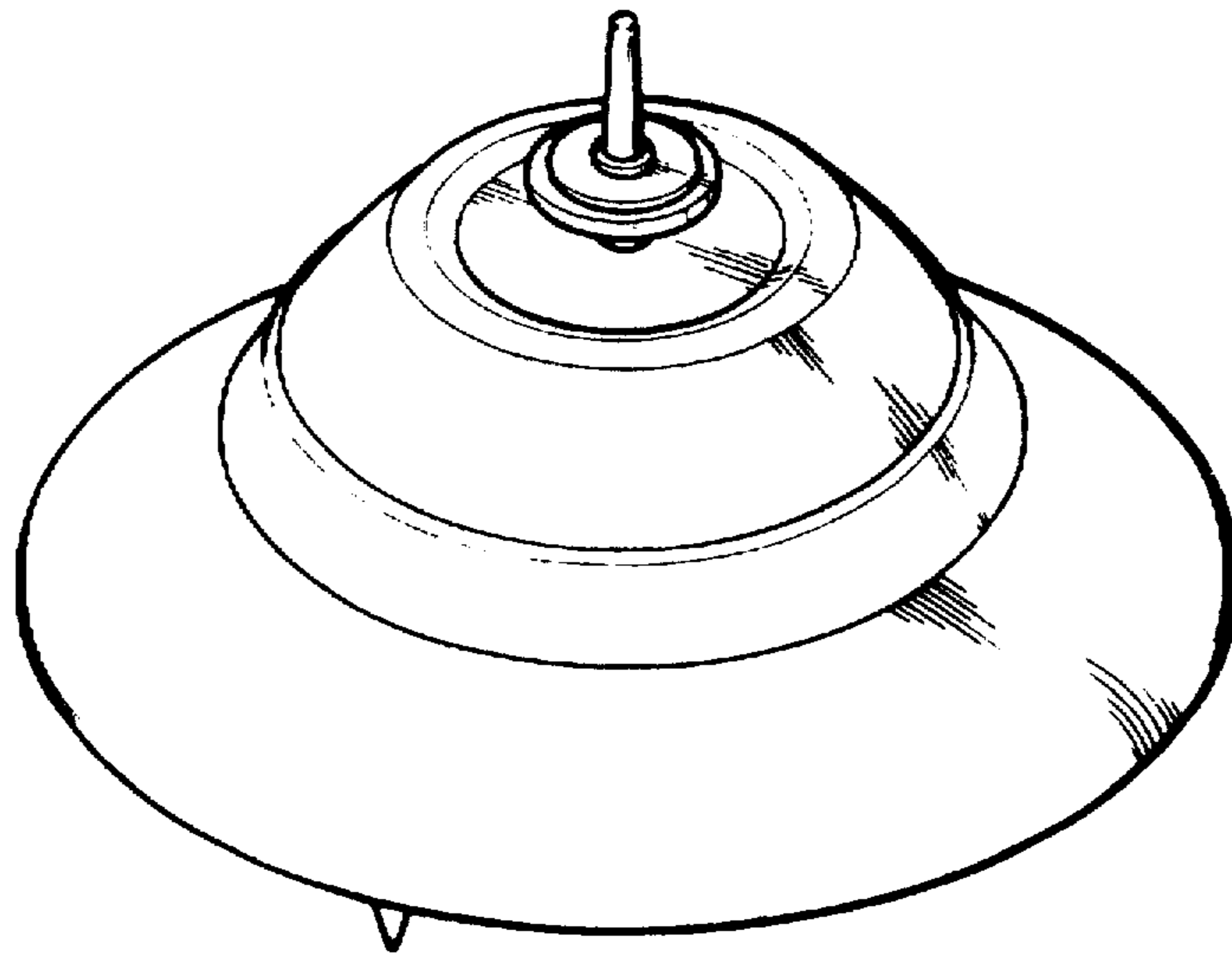


FIG 2

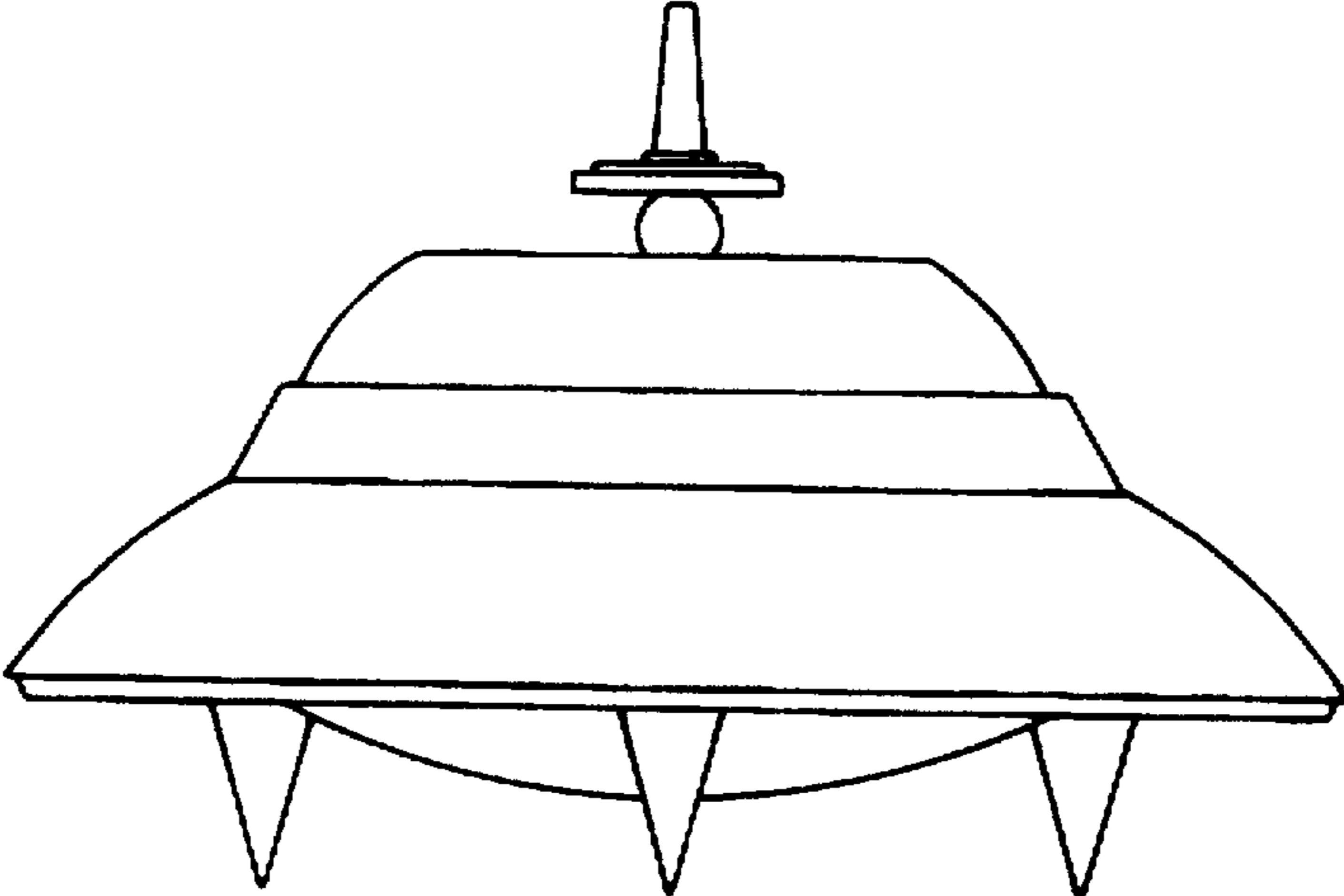


FIG 3

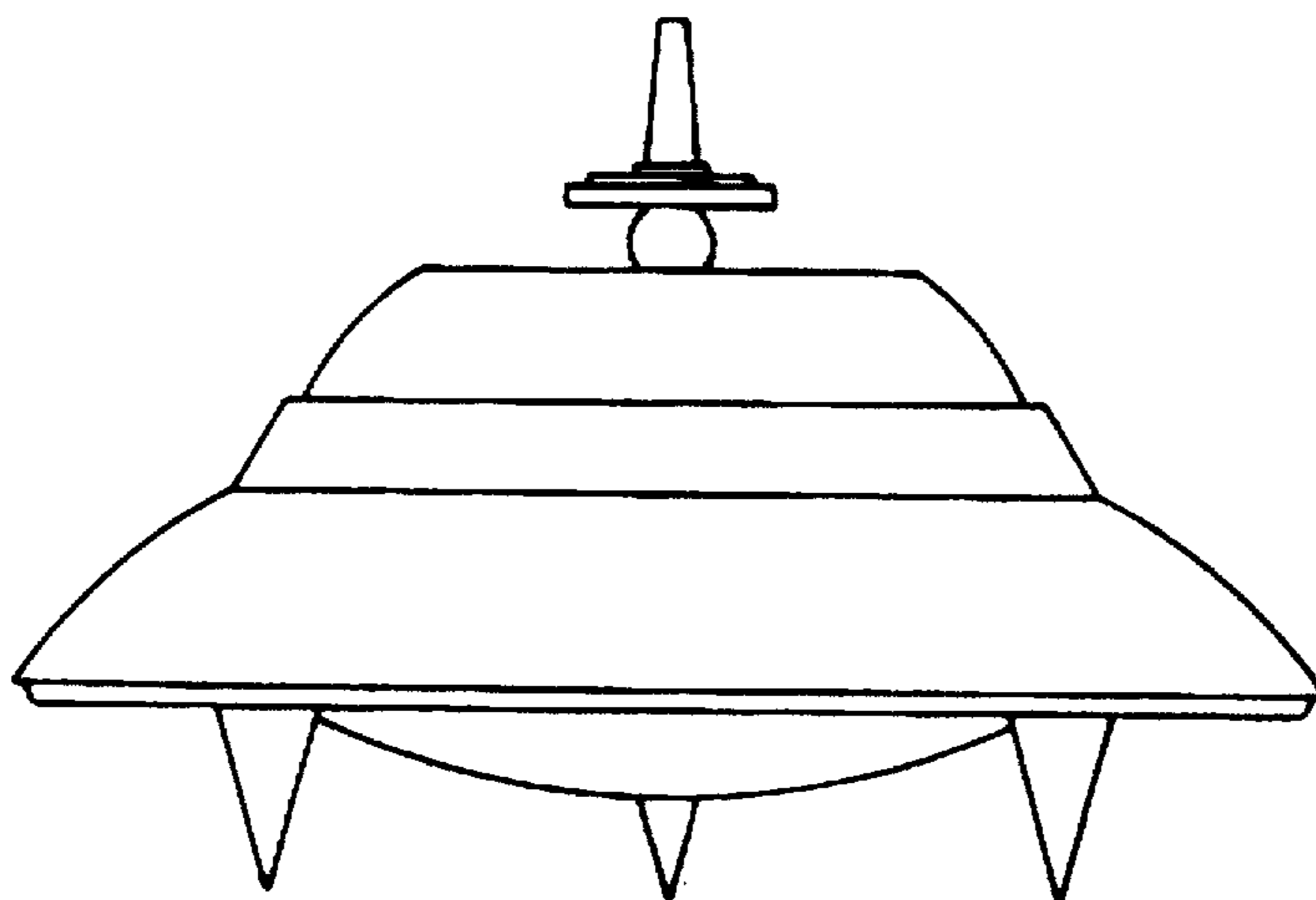


FIG 4

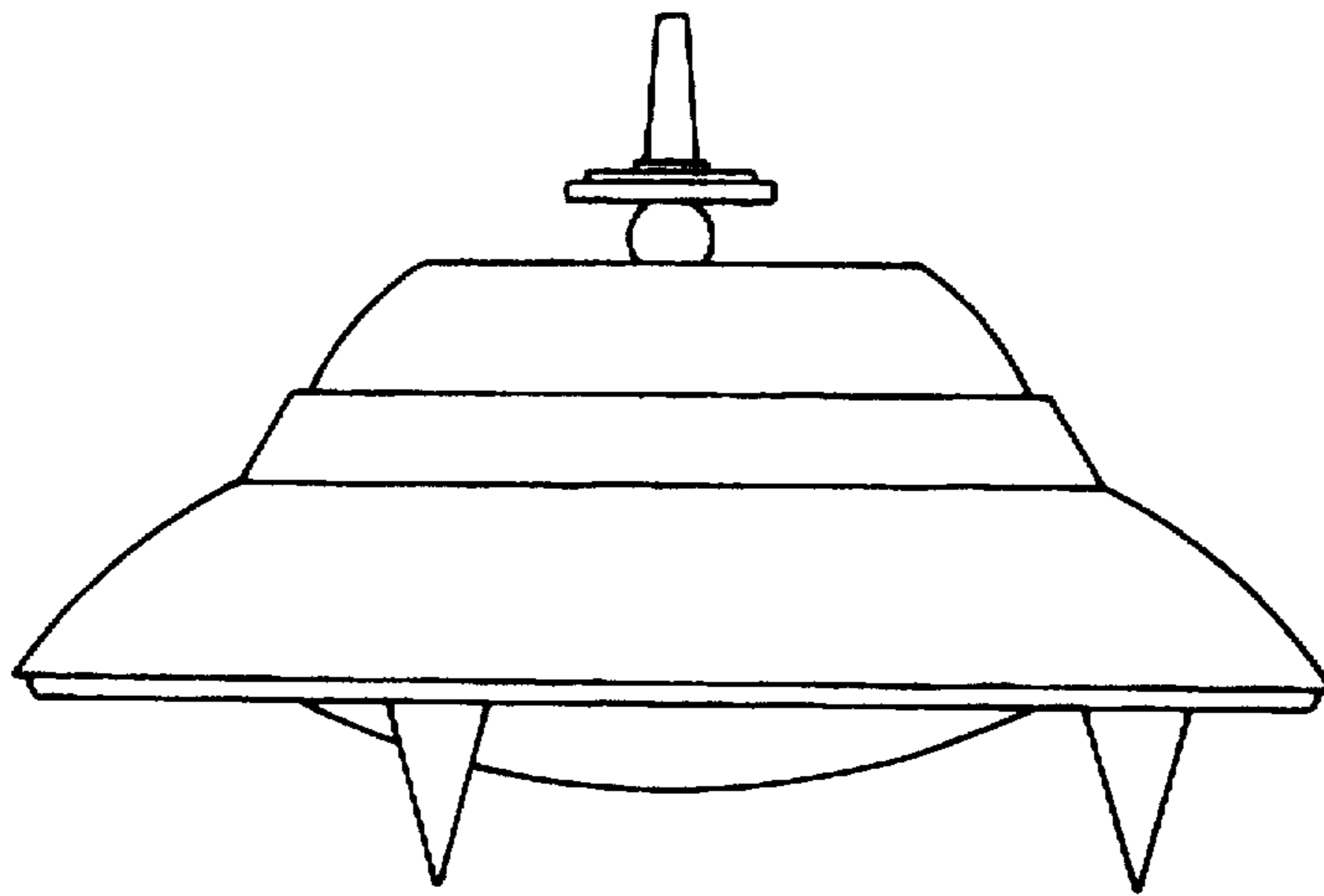


FIG 5

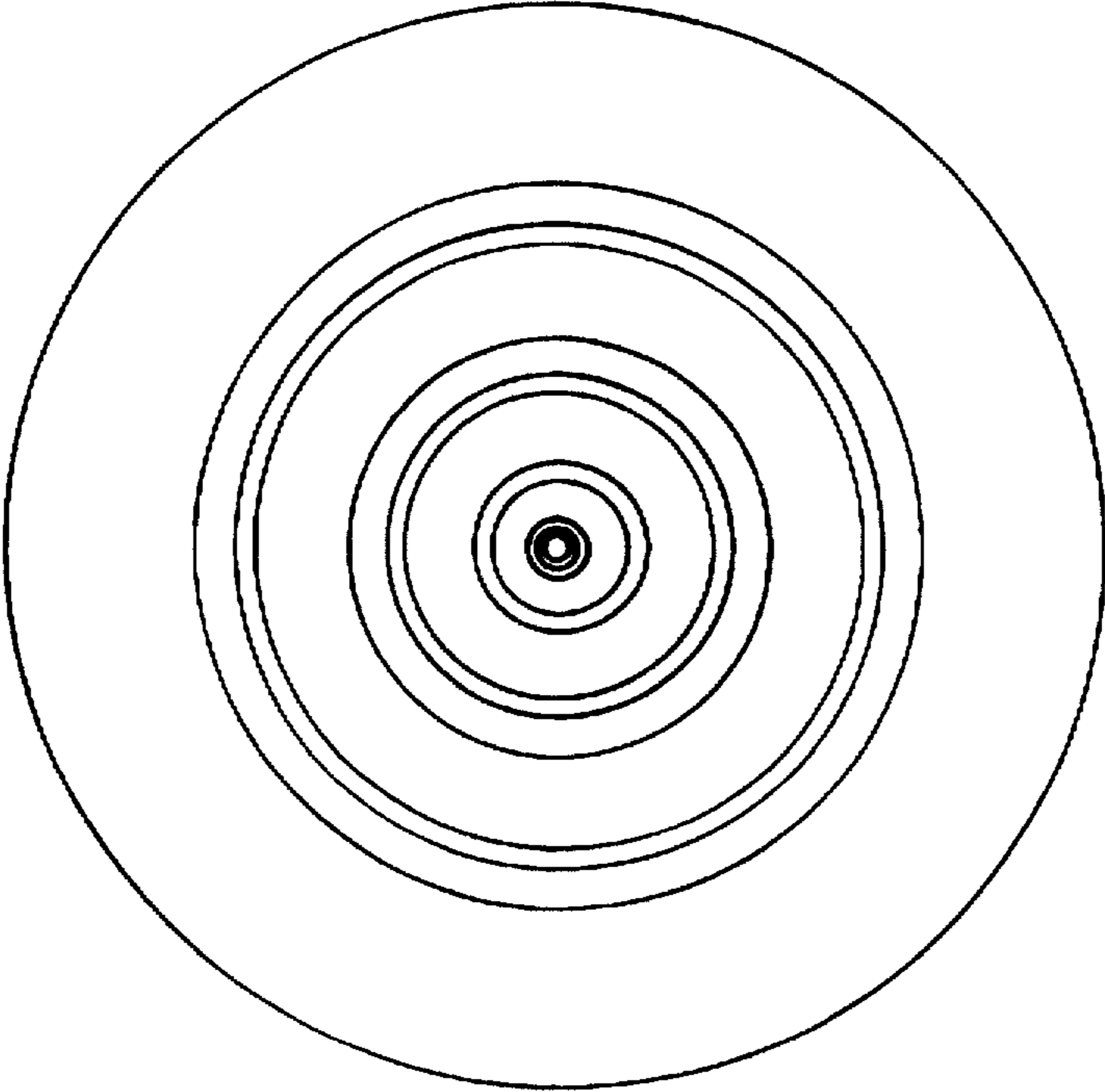


FIG 6

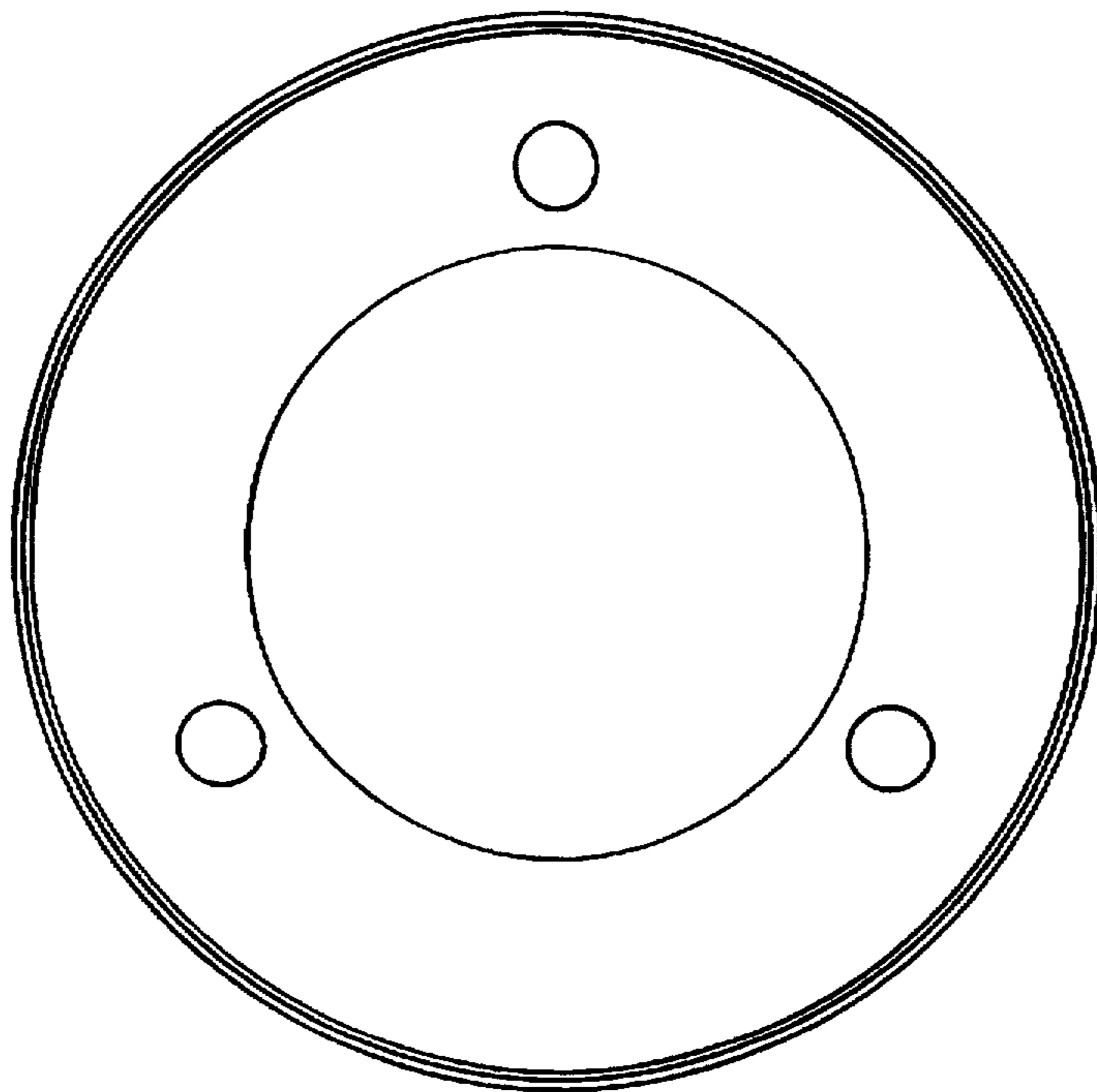


FIG 7

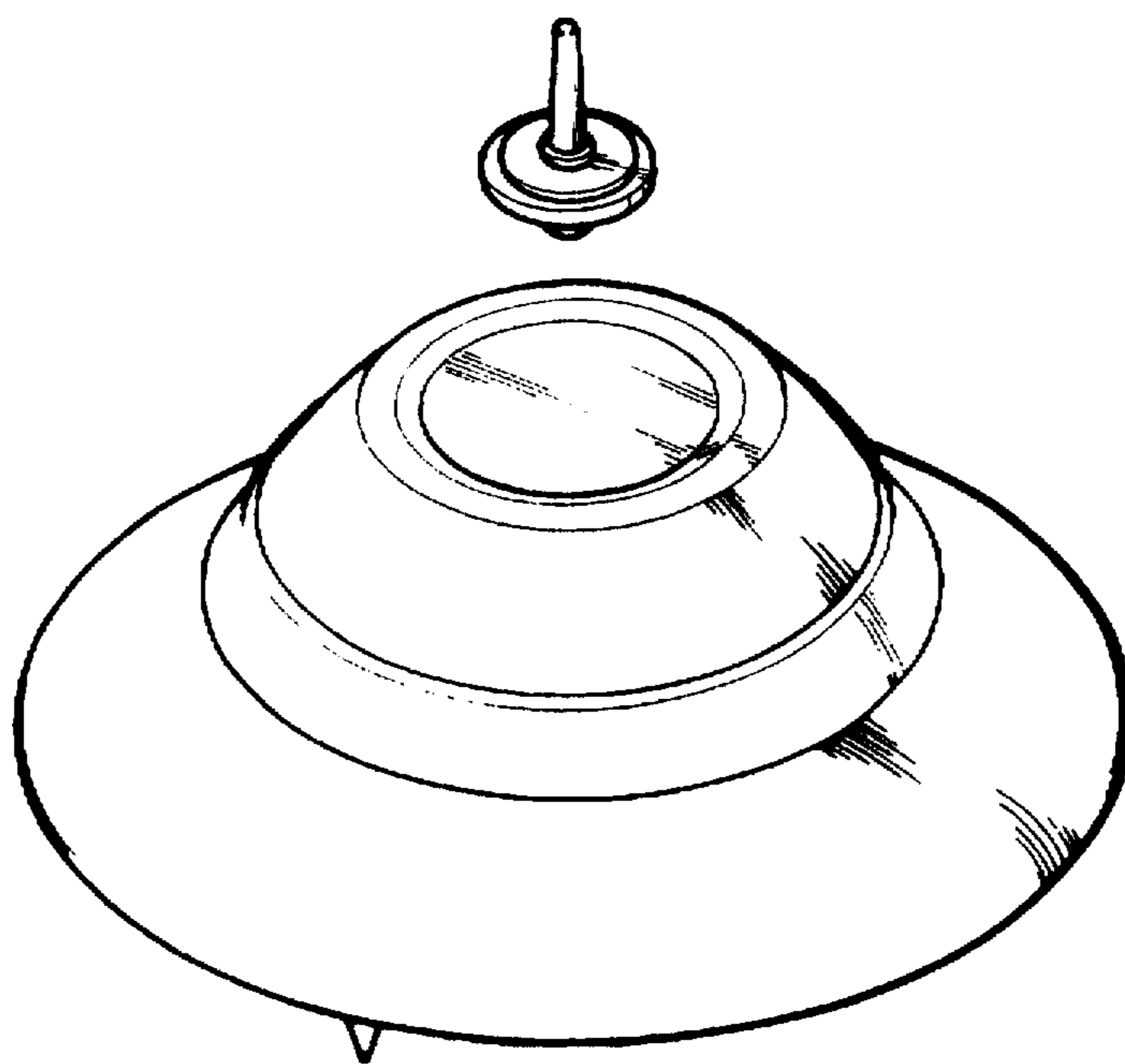


FIG 8

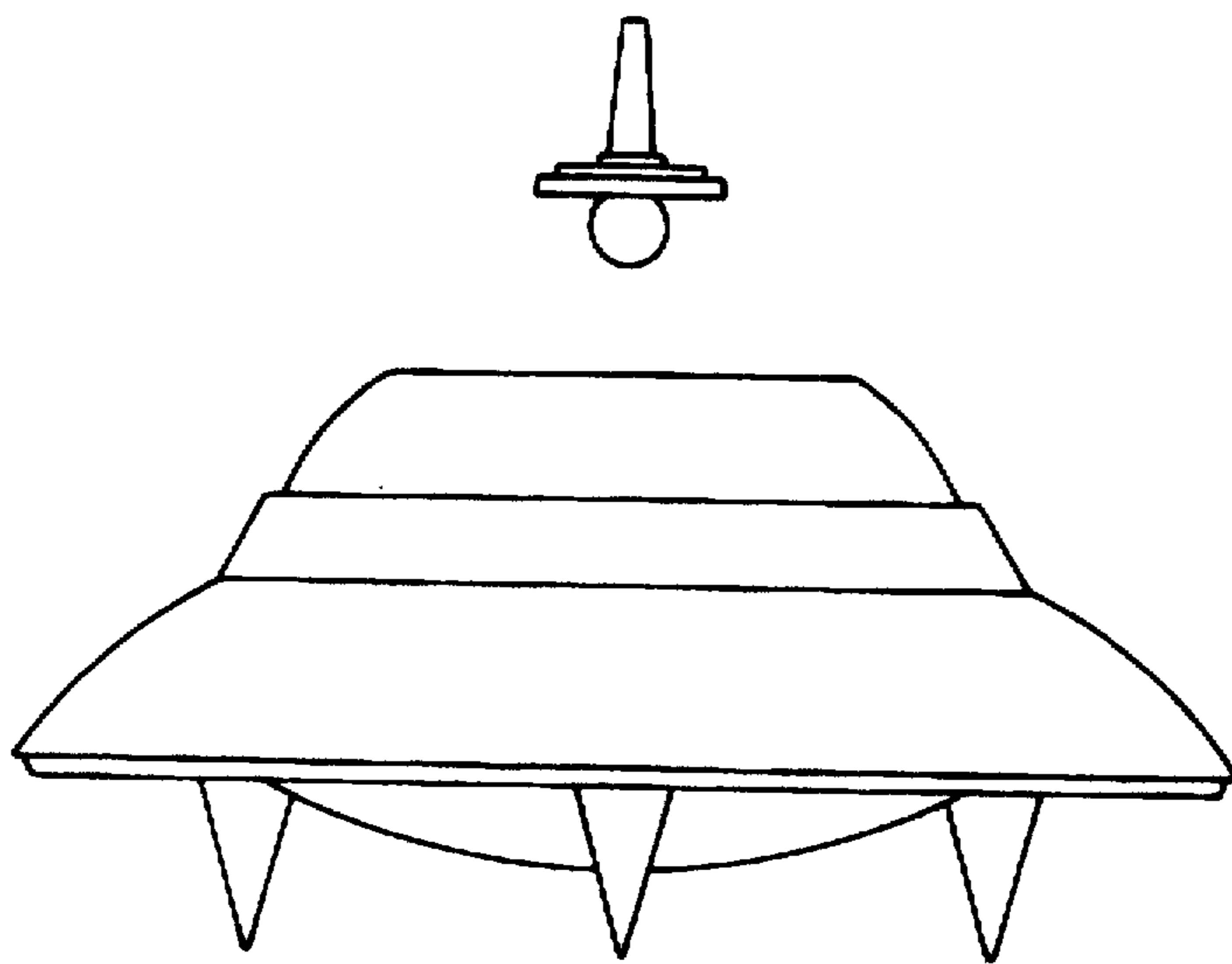


FIG 9

