



US00D397374S

United States Patent [19]

[11] Patent Number: **Des. 397,374**

Brooks

[45] Date of Patent: ****Aug. 25, 1998**

[54] TRACKBALL DEVICE FOR A VIDEO GAME

5,157,381 10/1992 Cheng D14/114 X
5,268,675 12/1993 Garthwaite et al. 345/163

[75] Inventor: **Edward F. Brooks, Skokie, Ill.**

OTHER PUBLICATIONS

[73] Assignee: **H. Betti Industries Inc., Carlstadt, N.J.**

Hong Kong Enterprise, p. 310, Oct. 1992.

[**] Term: **14 Years**

Primary Examiner—Prabhakar G. Deshmukh
Attorney, Agent, or Firm—Brinks Hofer Gilson & Lione

[21] Appl. No.: **78,053**

[57] CLAIM

[22] Filed: **Oct. 16, 1997**

The ornamental design for a trackball device for a video game, as shown and described.

[51] LOC (6) Cl. **21-01**

[52] U.S. Cl. **D21/48; D14/114**

[58] Field of Search D21/1, 13, 48;
D14/114; 273/148 B; 463/30-36, 37, 38,
46; 345/156, 158, 161-167

DESCRIPTION

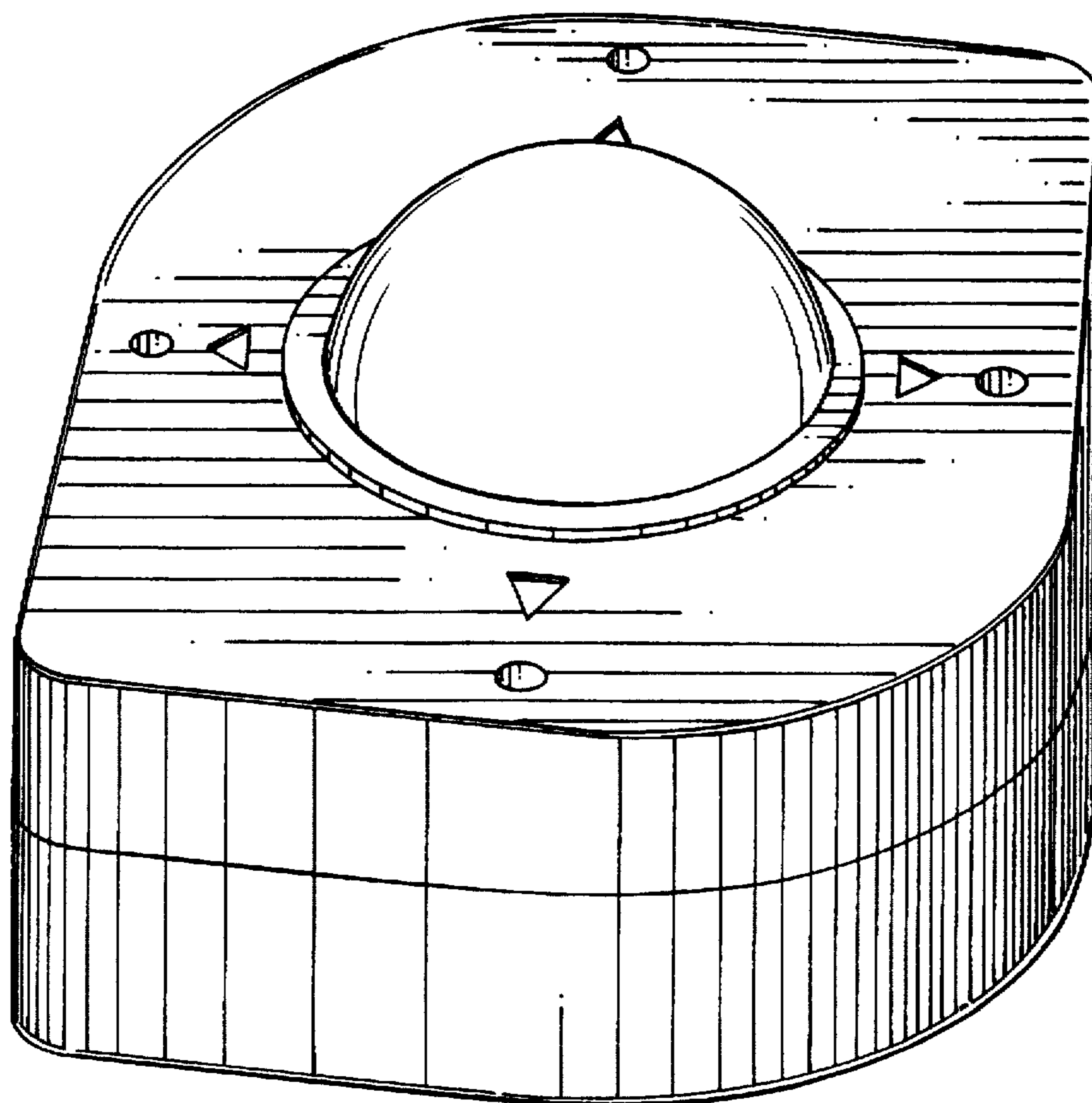
[56] References Cited

U.S. PATENT DOCUMENTS

D. 272,921	3/1984	Kim .	
D. 281,164	10/1985	Kim	D21/48
D. 338,883	8/1993	Melzer et al.	D14/114
D. 343,392	1/1994	Harden et al.	D14/114
D. 346,373	4/1994	Grant	D14/114
D. 374,867	10/1996	Canavan	D14/114
D. 382,261	8/1997	Kaneko et al.	D14/114

FIG. 1 is a front elevational view of a trackball device for a video game;
FIG. 2 is a top plan view thereof;
FIG. 3 is a rear elevational view;
FIG. 4 is a right side elevational view thereof;
FIG. 5 is a bottom plan view thereof;
FIG. 6 is a left side elevational view thereof; and,
FIG. 7 is a top side perspective view.
The broken line showing an electrical cord is for illustrative purposes only and forms no part of the claimed design.

1 Claim, 3 Drawing Sheets



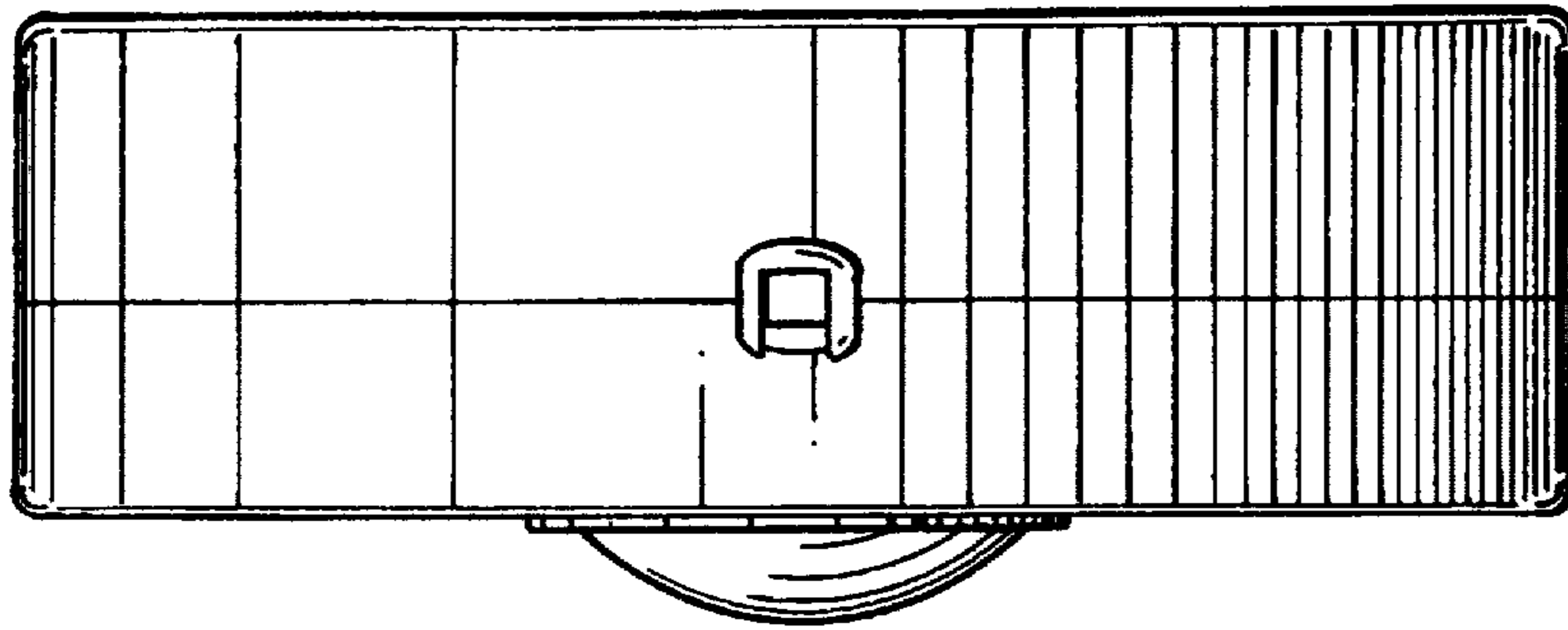


Fig. 3

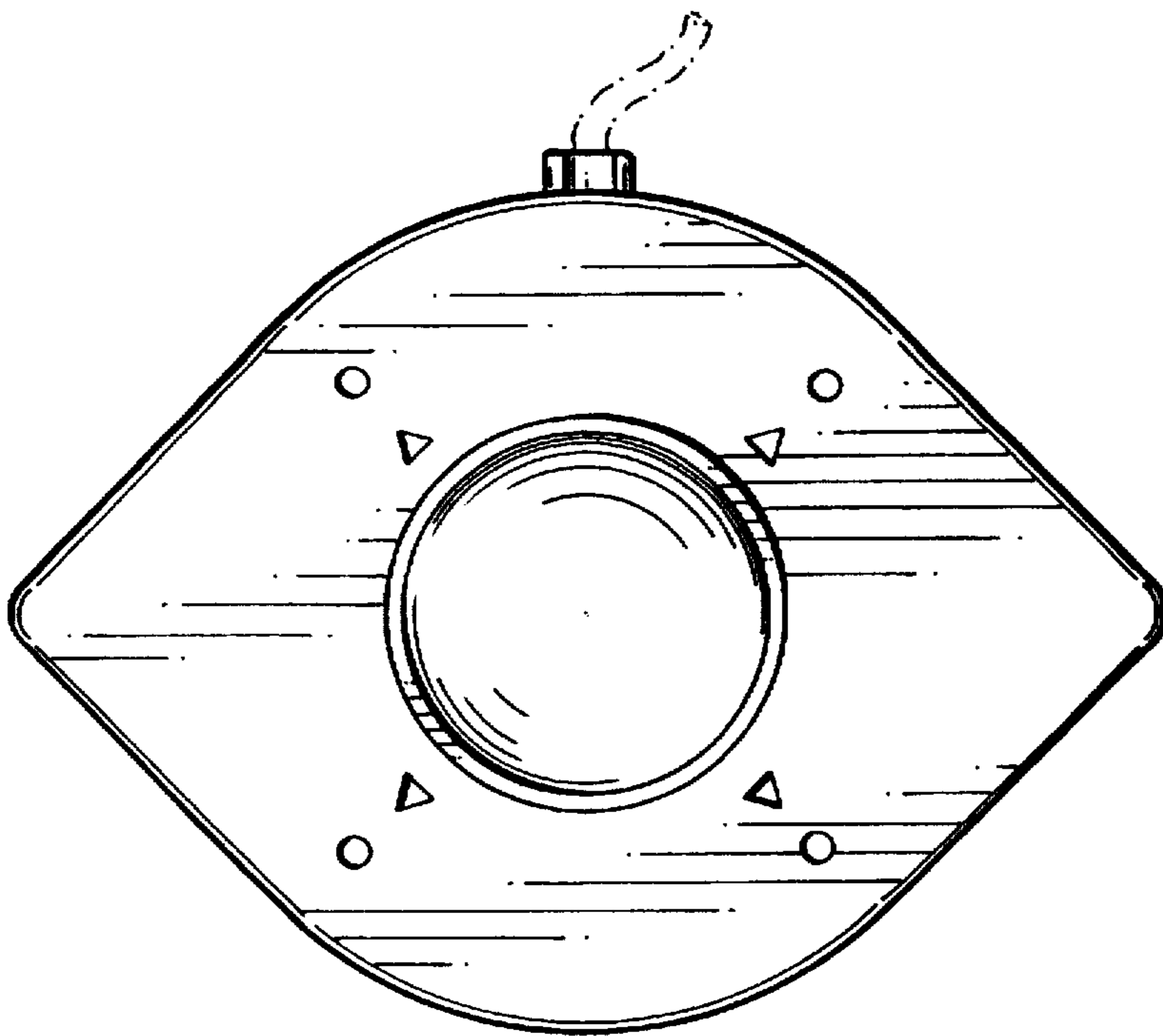


Fig. 2

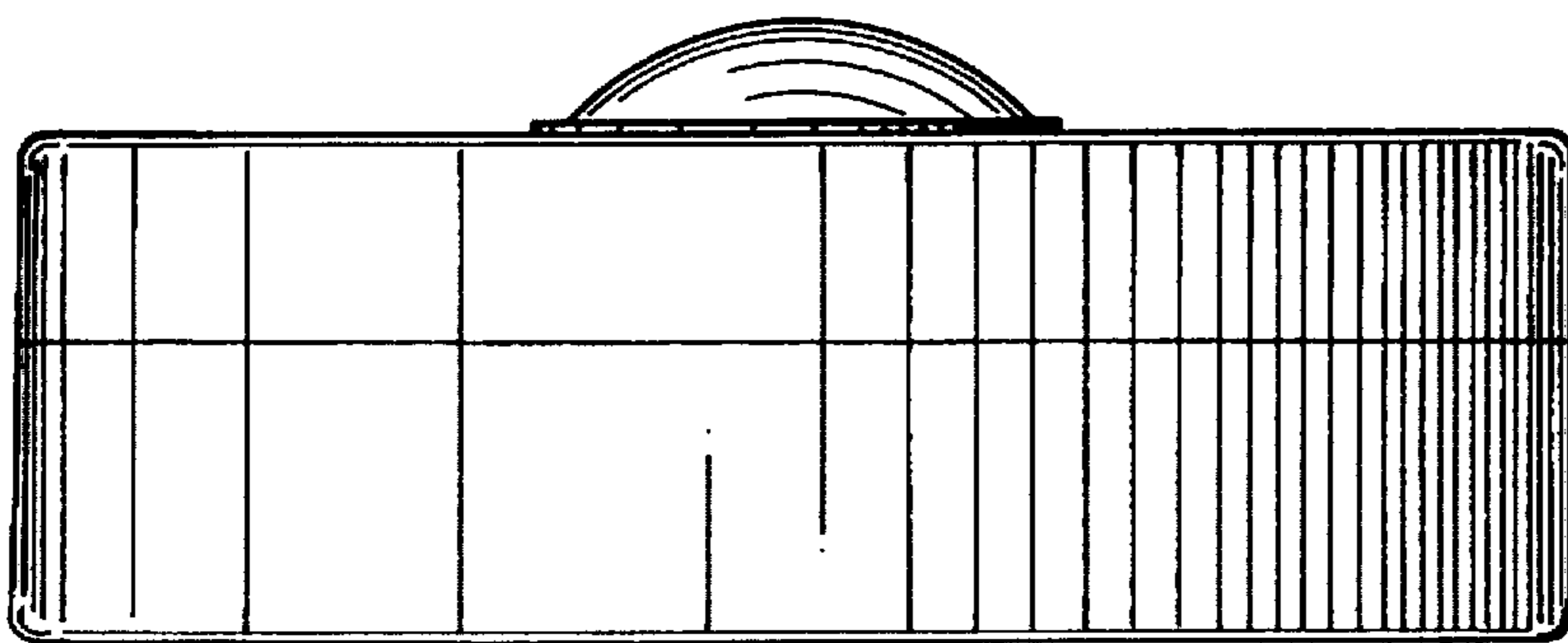


Fig. 1

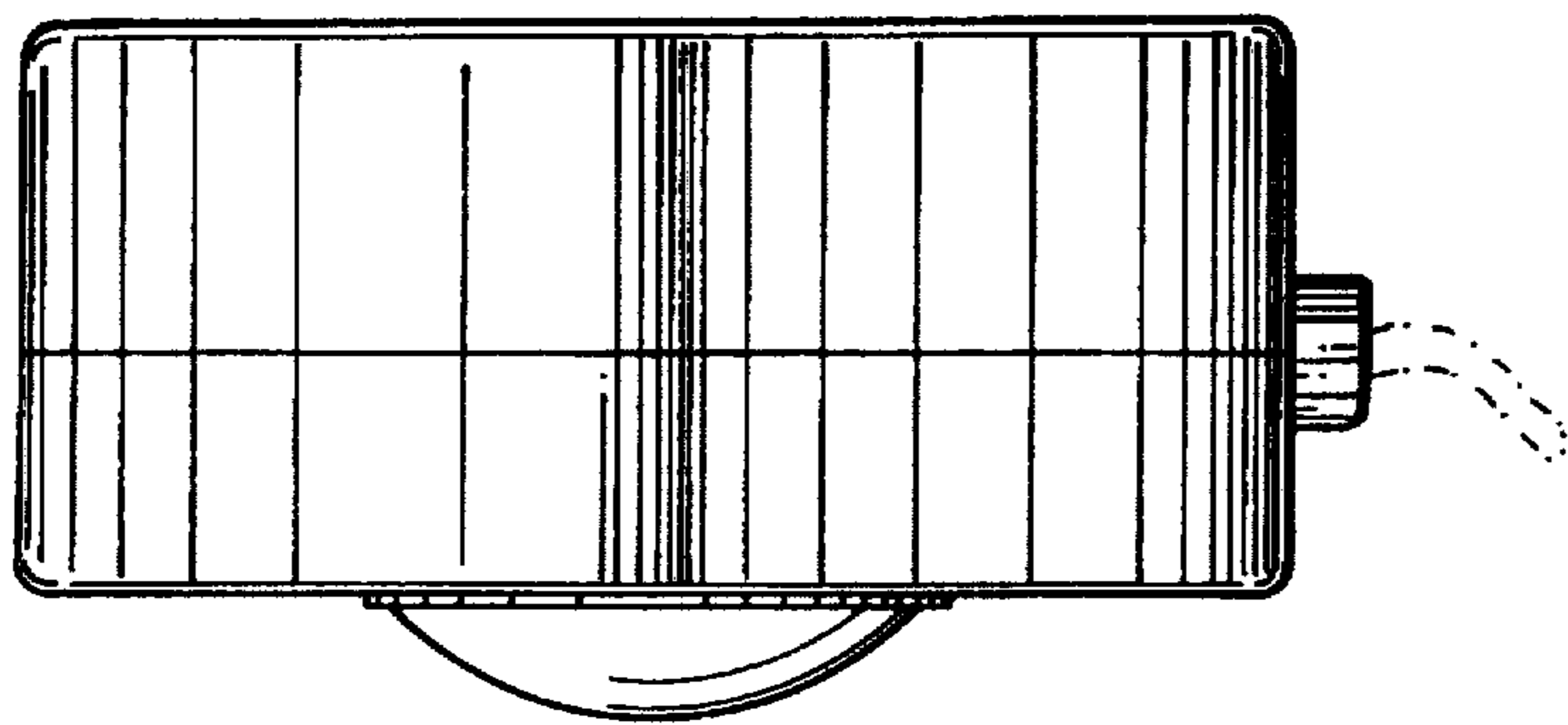


Fig. 6

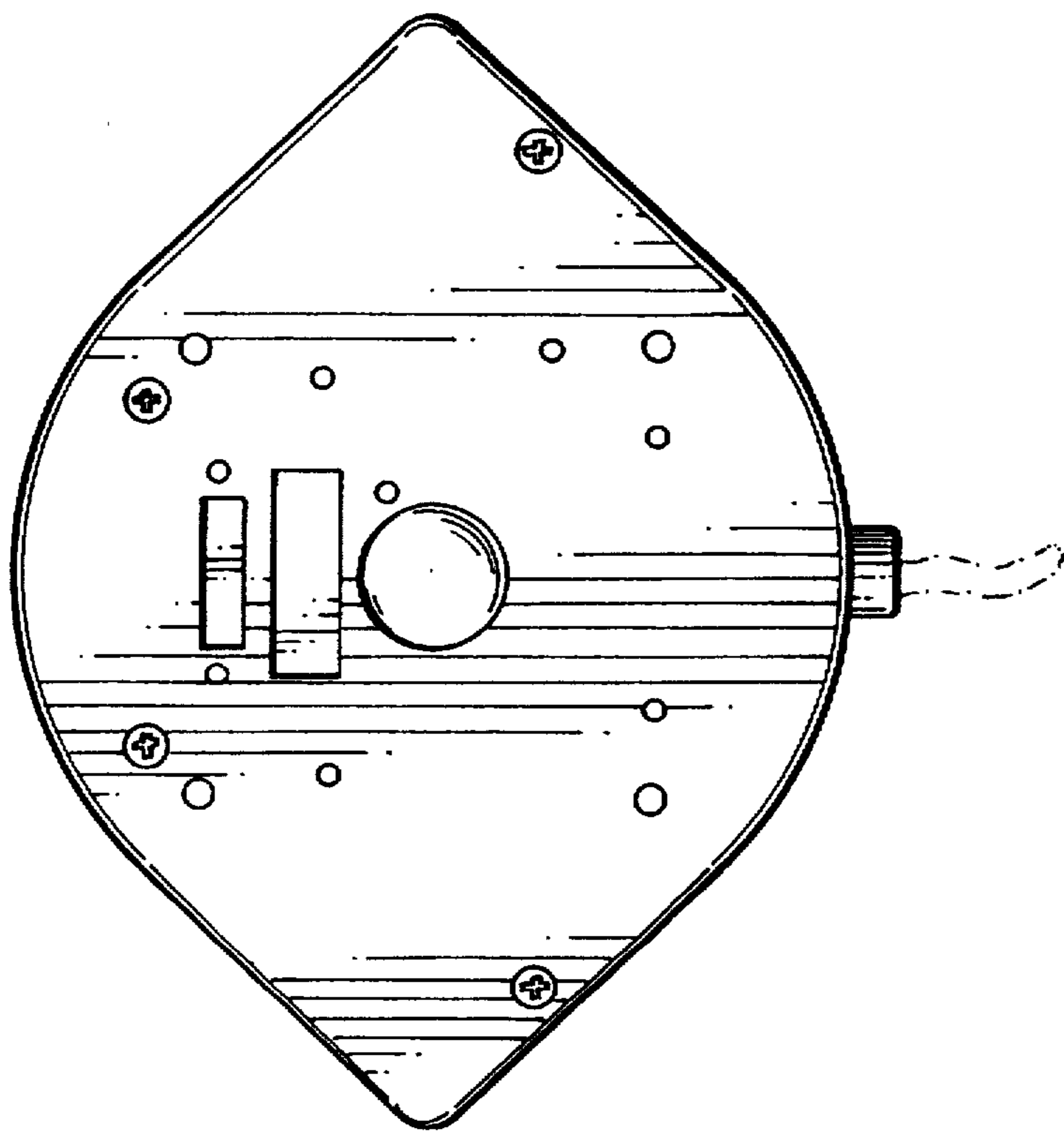


Fig. 5

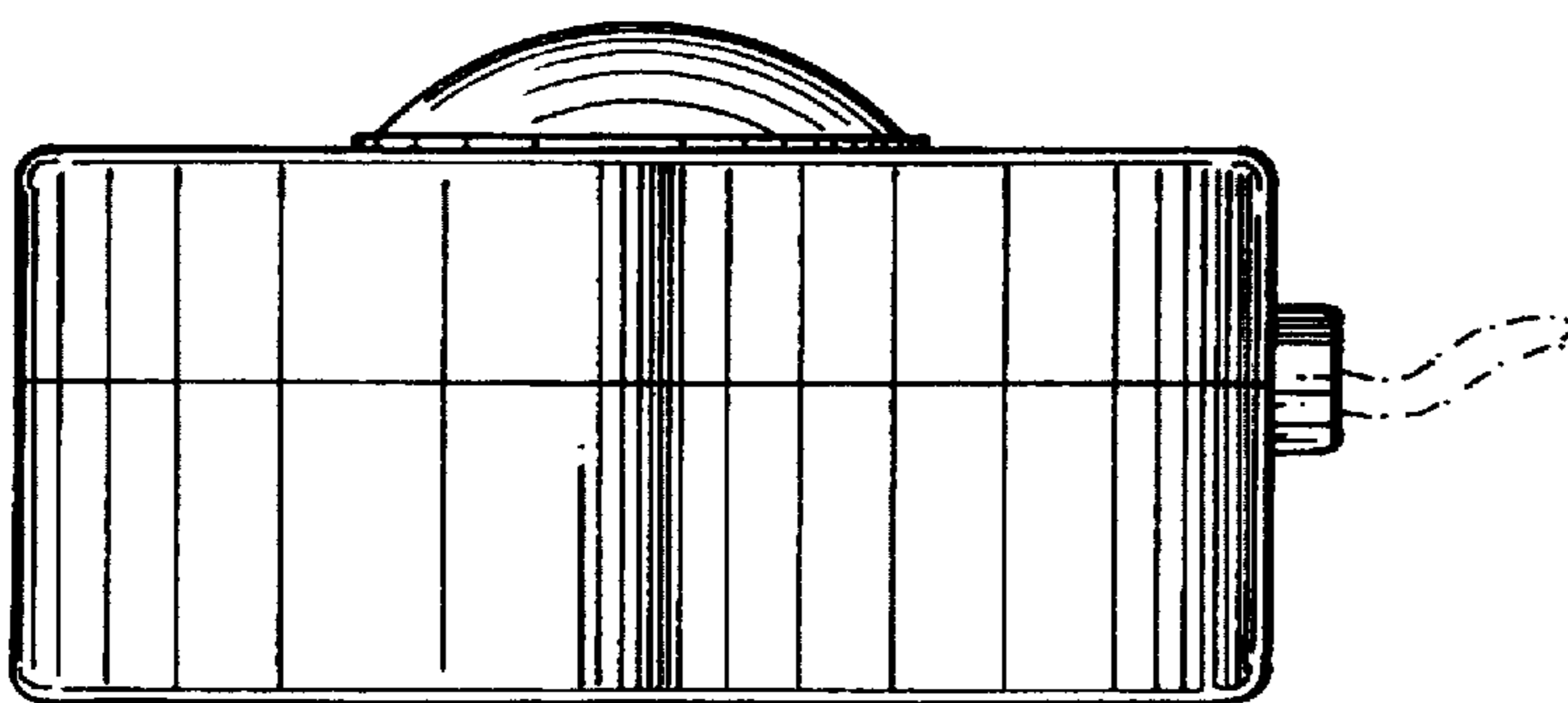


Fig. 4

Fig. 7

