



US00D397371S

United States Patent [19]
Bagley

[11] **Patent Number: Des. 397,371**

[45] **Date of Patent: **Aug. 25, 1998**

[54] **HAND HELD ELECTRONIC FISHING GAME**

4,969,647 11/1990 Mical et al. 463/46
5,263,714 11/1993 Rudell et al. 273/457 X

[75] **Inventor: Ronald D. Bagley, Garland, Tex.**

Primary Examiner—Prabhakar G. Deshmukh
Attorney, Agent, or Firm—Roylance, Abrams, Berdo & Goodman, L.L.P.

[73] **Assignee: Radica China Limited, Hong Kong**

[**] **Term: 14 Years**

[57] **CLAIM**

[21] **Appl. No.: 80,941**

The ornamental design for a hand held electronic fishing game, as shown and described.

[22] **Filed: Dec. 22, 1997**

DESCRIPTION

[51] **LOC (6) Cl. 21-01**

[52] **U.S. Cl. D21/13**

[58] **Field of Search D21/1, 13, 48;**
273/140, 457; 463/1, 29-35, 46-52; D22/134,
138, 139, 148

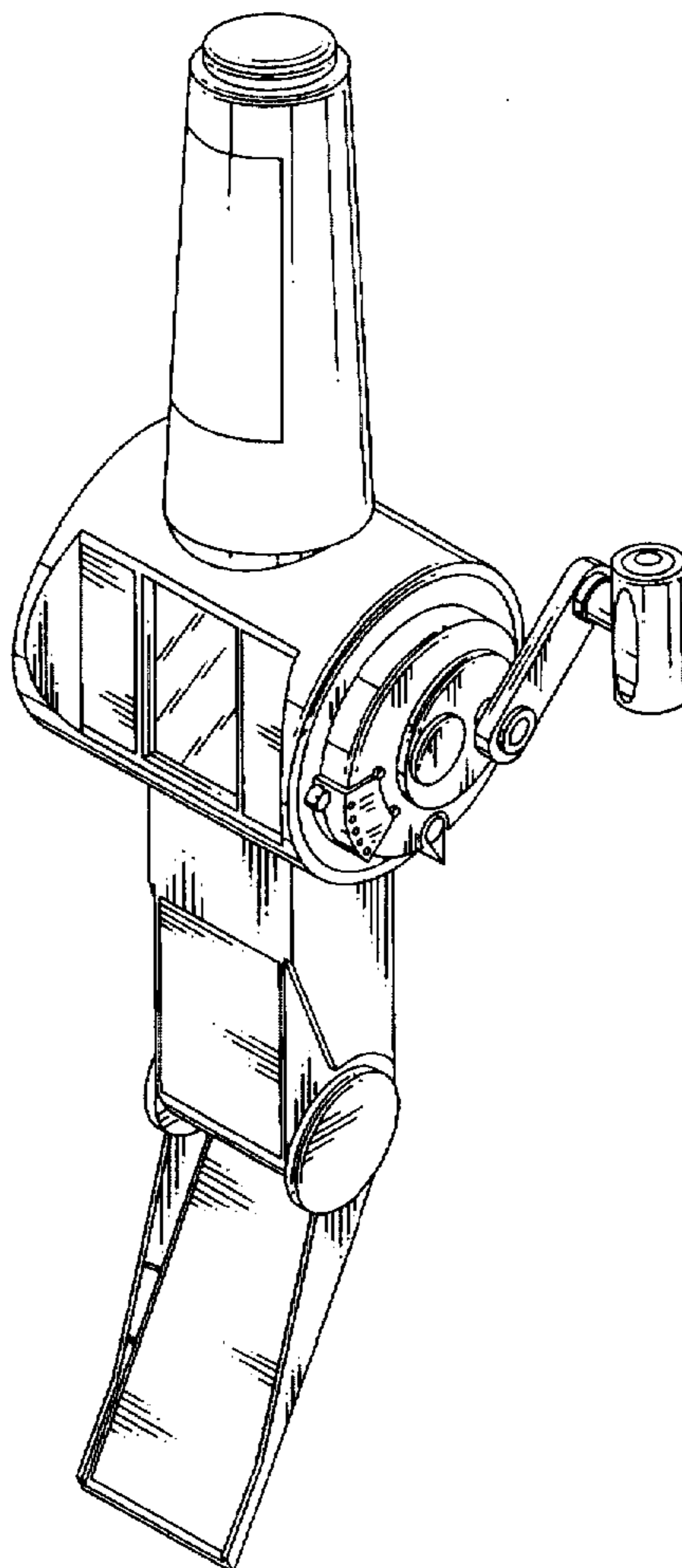
FIG. 1 is a perspective view of a hand held electronic fishing game in accordance with my new design;
FIG. 2 is a front elevational view of the hand held electronic fishing game illustrated in FIG. 1;
FIG. 3 is a rear elevational view of the hand held electronic fishing game illustrated in FIGS. 1 and 2;
FIG. 4 is a left side elevational view of the hand held electronic fishing game illustrated in FIGS. 1-3;
FIG. 5 is a right side elevational view of the hand held electronic fishing game illustrated in FIGS. 1-4;
FIG. 6 is a top plan view of the hand held electronic fishing game illustrated in FIGS. 1-5; and,
FIG. 7 is a bottom plan view of the hand held electronic fishing game illustrated in FIGS. 1-6.

[56] **References Cited**

U.S. PATENT DOCUMENTS

D. 49,284	6/1916	Schmitt	D22/138
D. 246,049	10/1977	Nakamura	D22/138
D. 313,061	12/1990	Bascom et al.	D22/134
D. 336,665	6/1993	Tugendhaft	D21/13 X
D. 343,202	1/1994	Peersmann	D21/13
D. 347,246	5/1994	Wen	D21/13
2,779,131	1/1957	Scheithauer	273/457 X
3,924,350	12/1975	Hsu	273/457 X

1 Claim, 5 Drawing Sheets



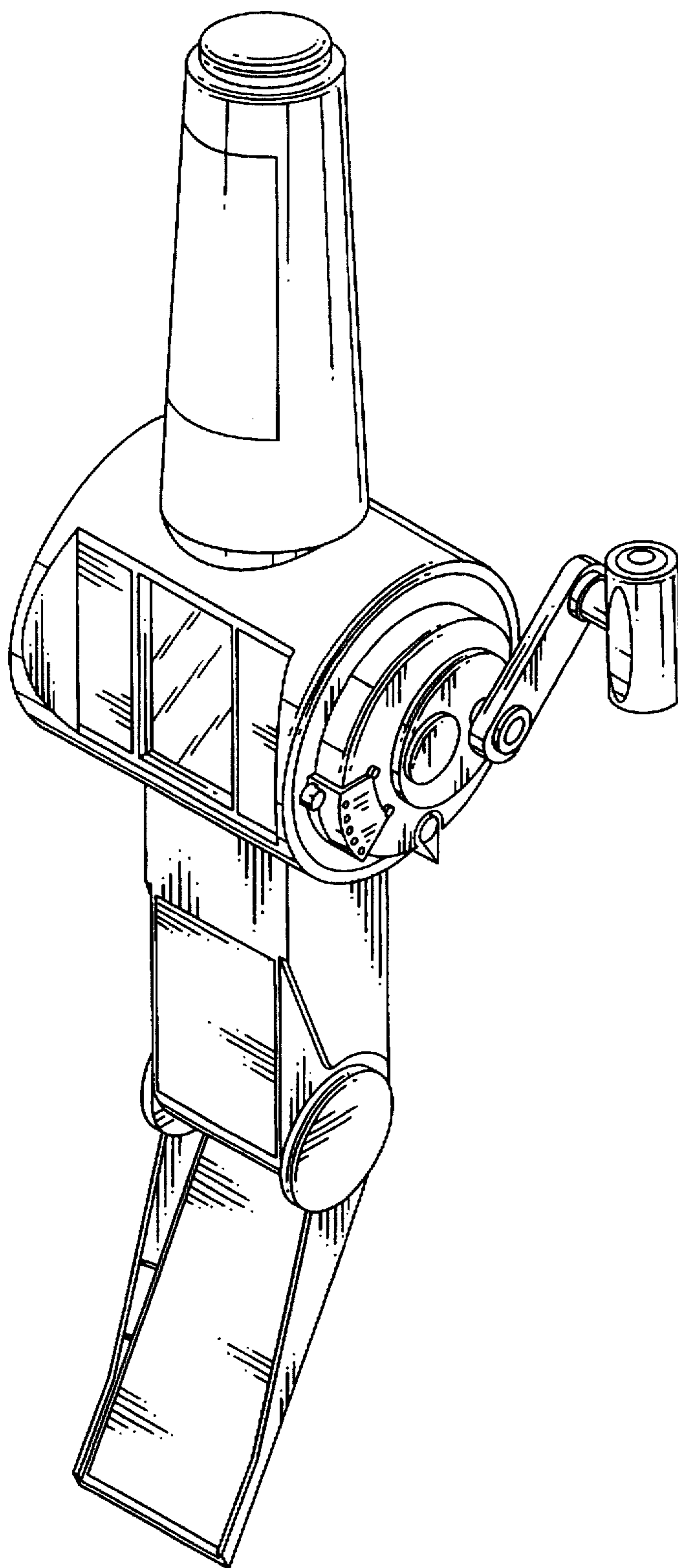


FIG. 1

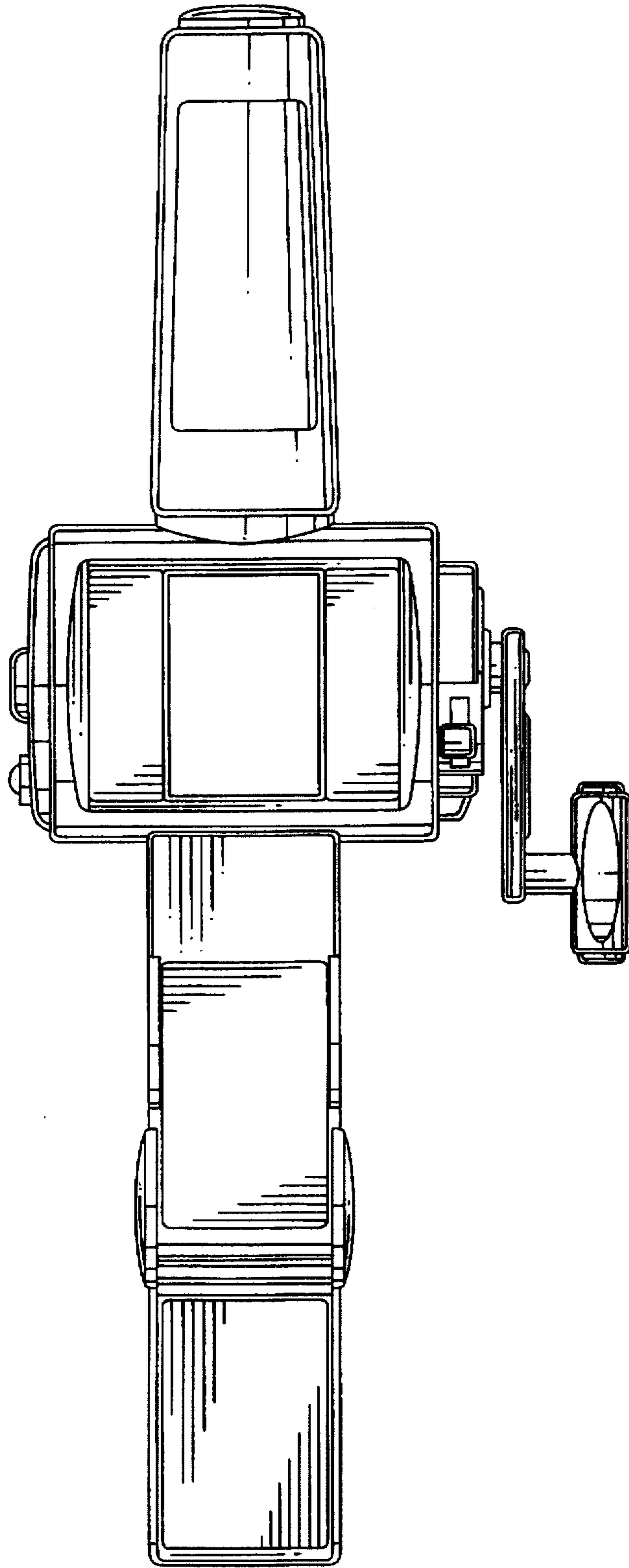


FIG. 2

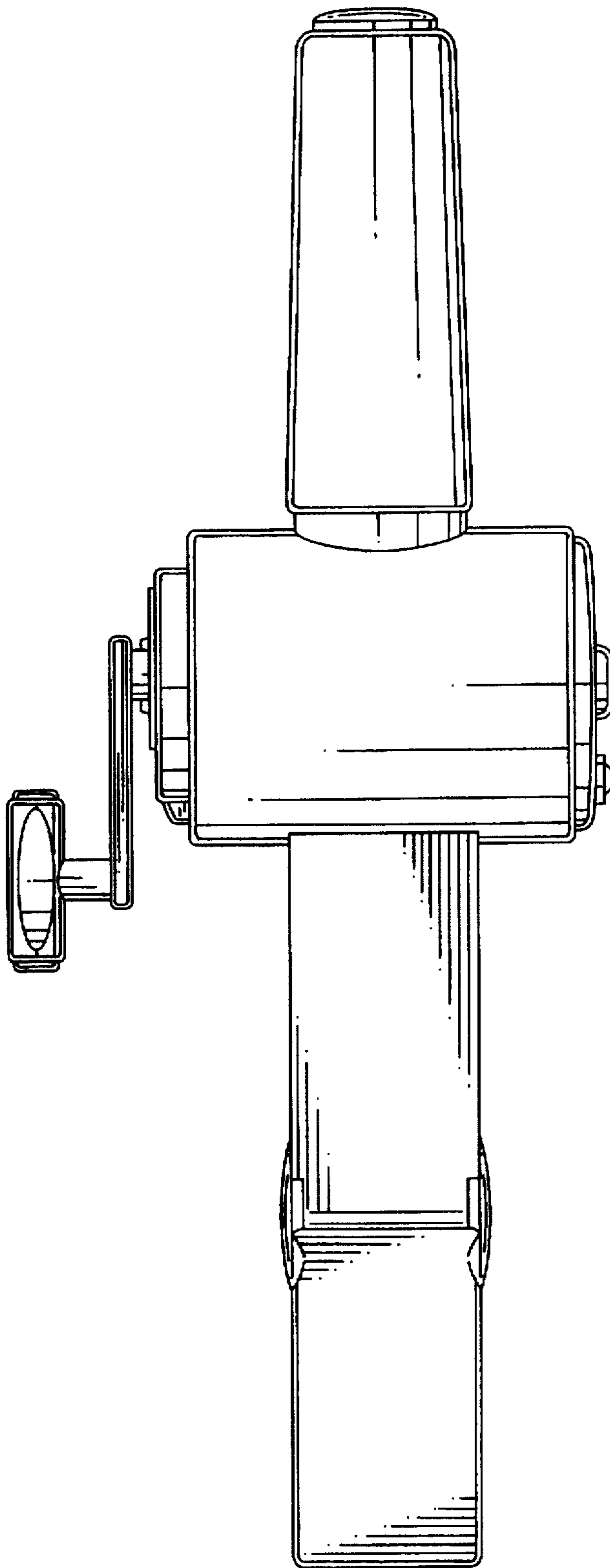


FIG. 3

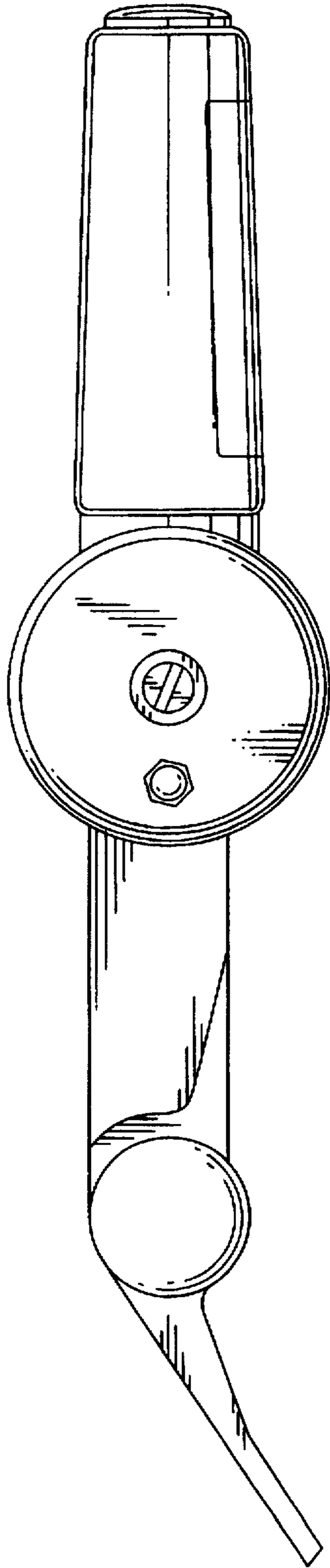


FIG. 4

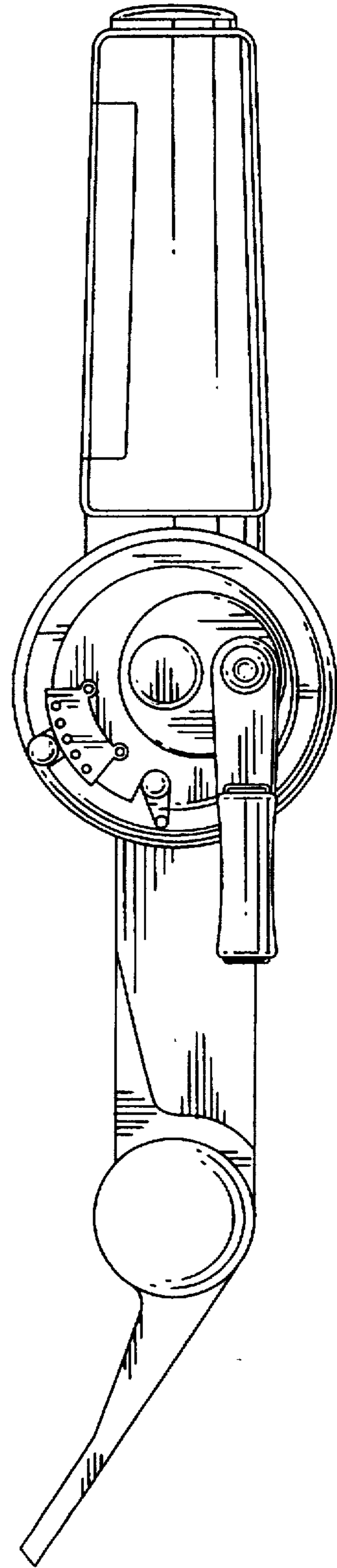


FIG. 5

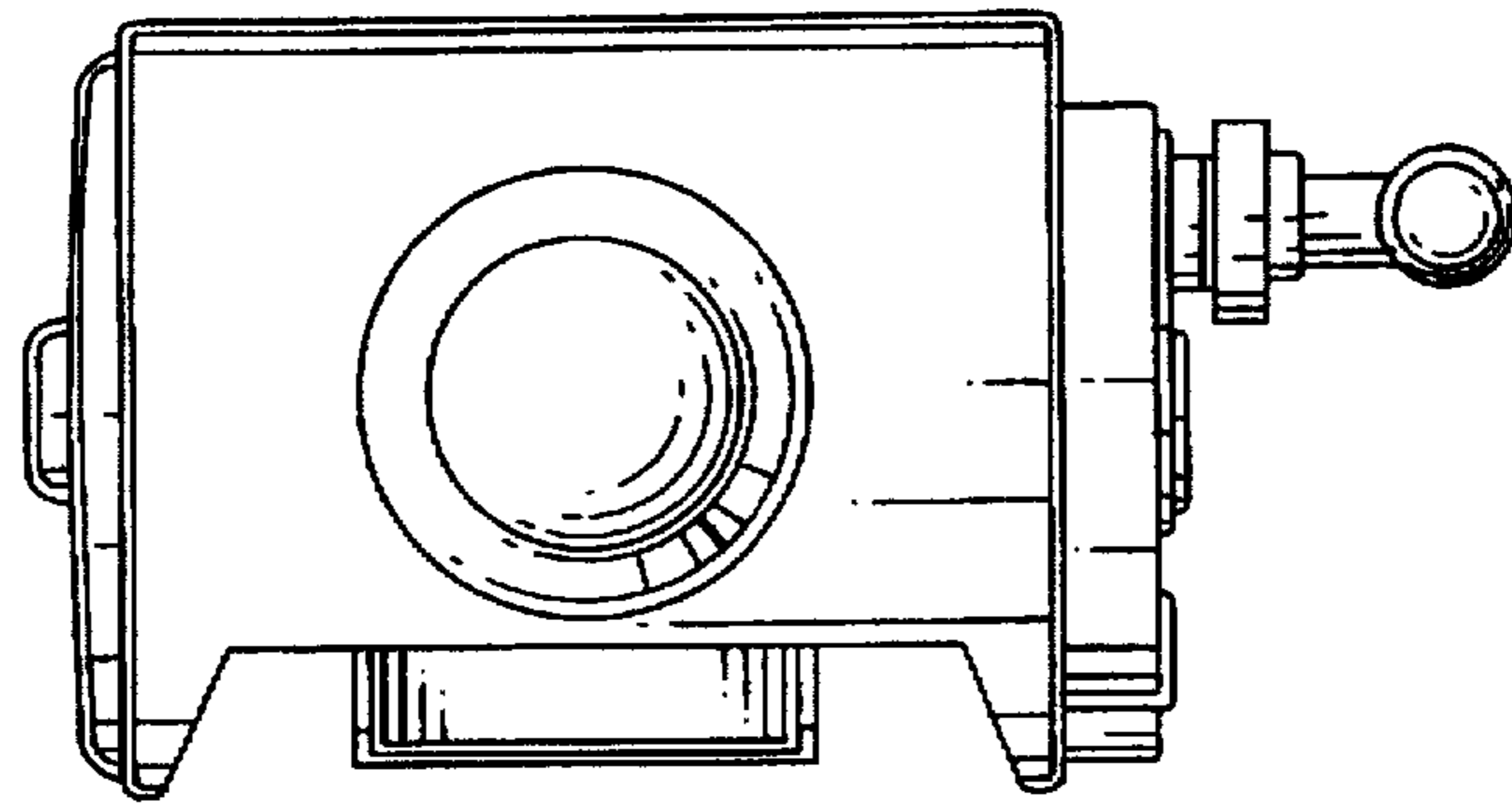


FIG. 6

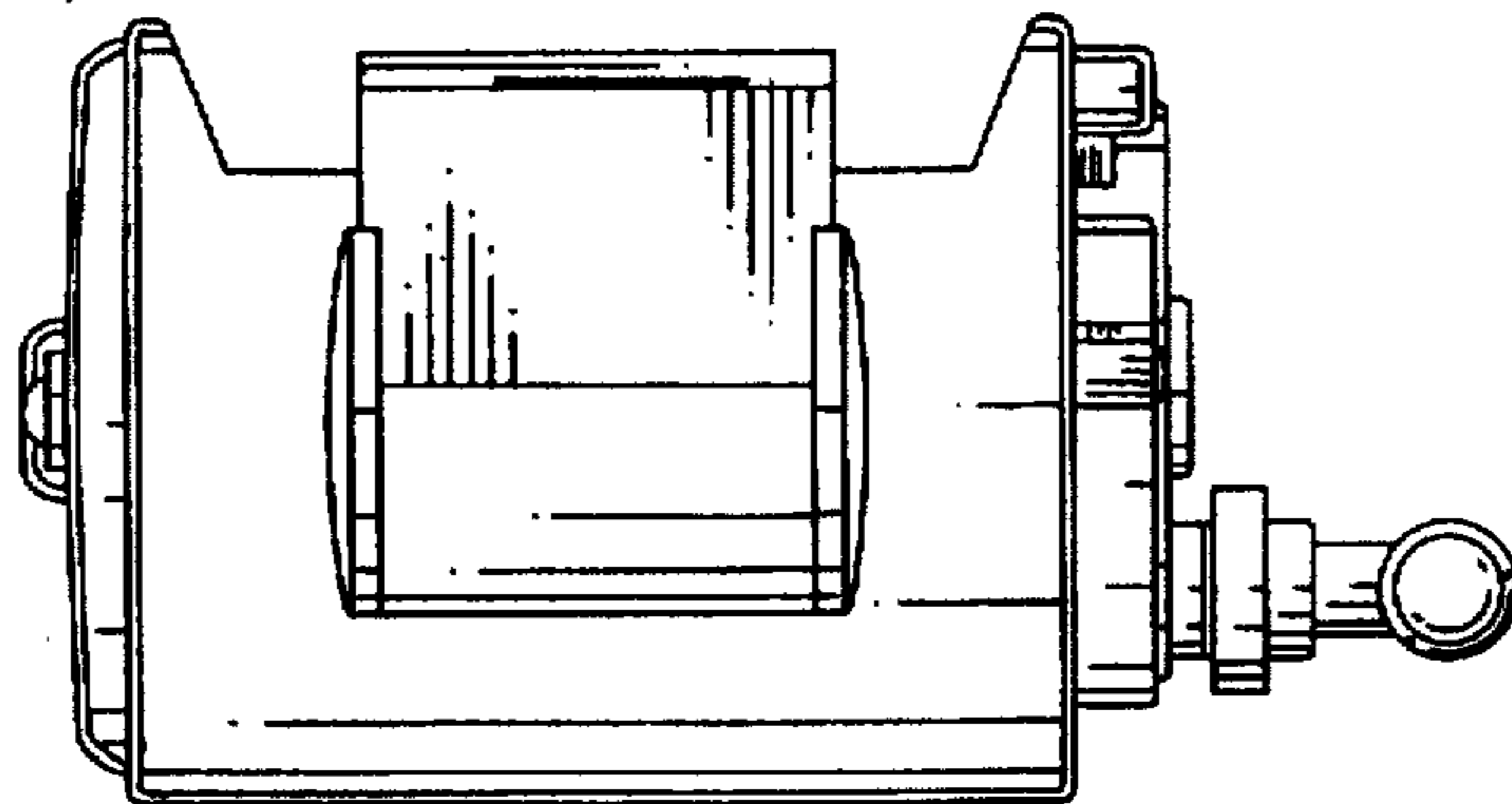


FIG. 7