



US00D397369S

**United States Patent** [19]  
**Rissman**

[11] **Patent Number: Des. 397,369**

[45] **Date of Patent: \*\*Aug. 25, 1998**

[54] **CABINET HOUSING FOR A HAND-HELD ELECTRONIC GAME**

[75] **Inventor: Owen R. Rissman, Vernon Hills, Ill.**

[73] **Assignee: Tiger Electronics, Inc., Vernon Hills, Ill.**

[\*\*] **Term: 14 Years**

[21] **Appl. No.: 76,776**

[22] **Filed: Sep. 23, 1997**

[51] **LOC (6) Cl. .... 21-01**

[52] **U.S. Cl. .... D21/13**

[58] **Field of Search .... D21/1, 13, 48; 463/29-35, 46, 47, 48; D14/114, 124**

[56] **References Cited**

**U.S. PATENT DOCUMENTS**

D. 332,804	1/1993	Li	.....	D21/13
D. 352,329	11/1994	Takiya	.....	D21/13
D. 354,993	1/1995	Morrison et al.	.....	D21/13
D. 382,914	8/1997	Ho et al.	.....	D21/13
5,178,389	1/1993	Bentley et al.	.....	463/31 X
5,184,830	2/1993	Okada et al.	.....	D21/13 X
5,212,368	5/1993	Hara	.....	463/46 X
5,213,327	5/1993	Kitae	.....	463/46 X

**OTHER PUBLICATIONS**

Hong Kong Enterprise, p. 133, Oct. 1994.

Hong Kong Enterprise, p. 461, Oct. 1994.

*Primary Examiner*—Prabhakar G. Deshmukh

*Attorney, Agent, or Firm*—Fitch, Even, Tabin & Flannery

[57] **CLAIM**

The ornamental design for a cabinet housing for a hand-held electronic game, as shown and described.

**DESCRIPTION**

FIG. 1 is a perspective view of the cabinet housing for a hand-held electronic game according to our new design; FIG. 2 is a top plan view of the cabinet housing of FIG. 1; FIG. 3 is a front elevational view of the cabinet housing of FIG. 1;

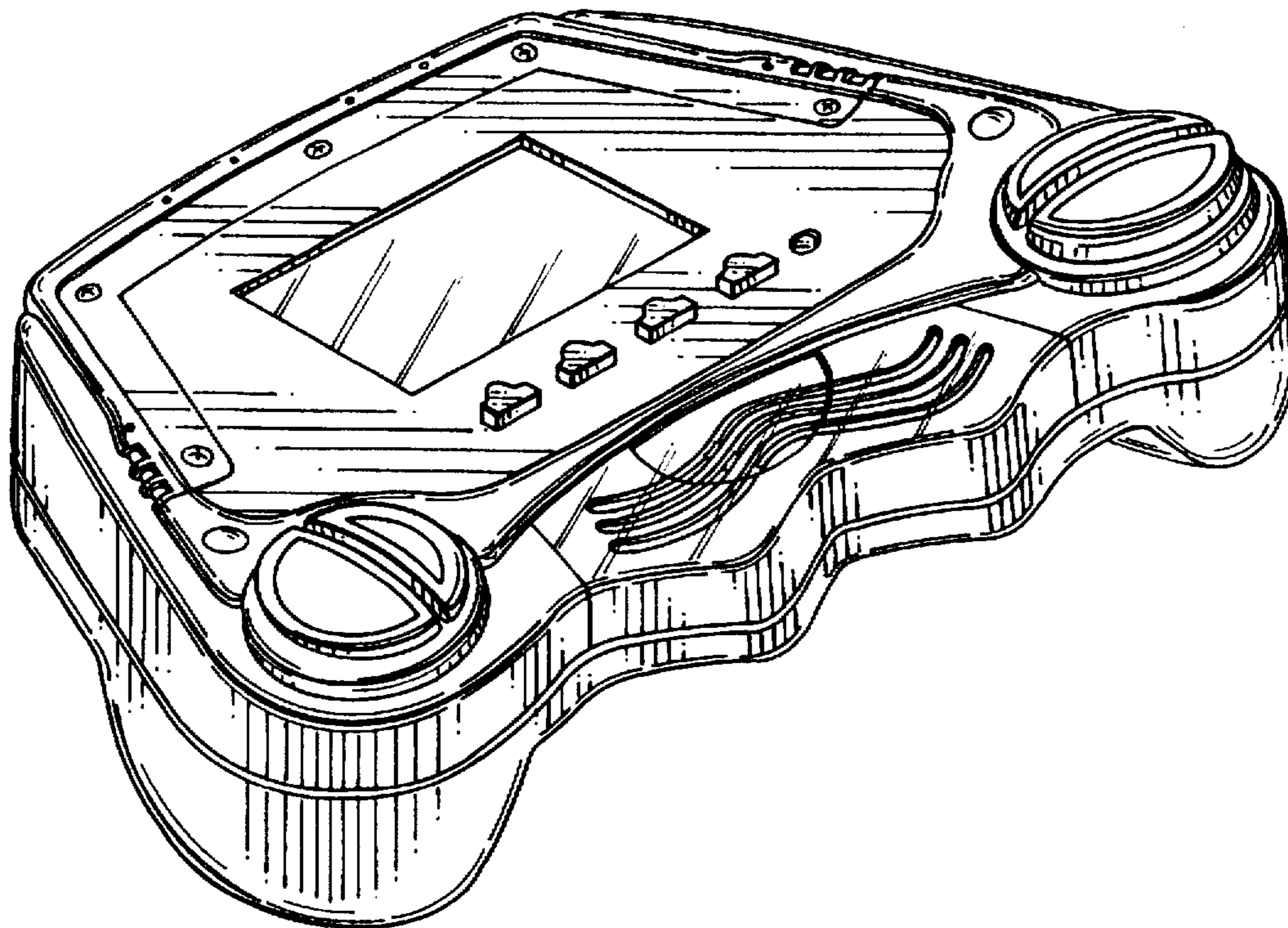
FIG. 4 is a left side elevational view of the cabinet housing of FIG. 1;

FIG. 5 is a right side elevational view of the cabinet housing of FIG. 1;

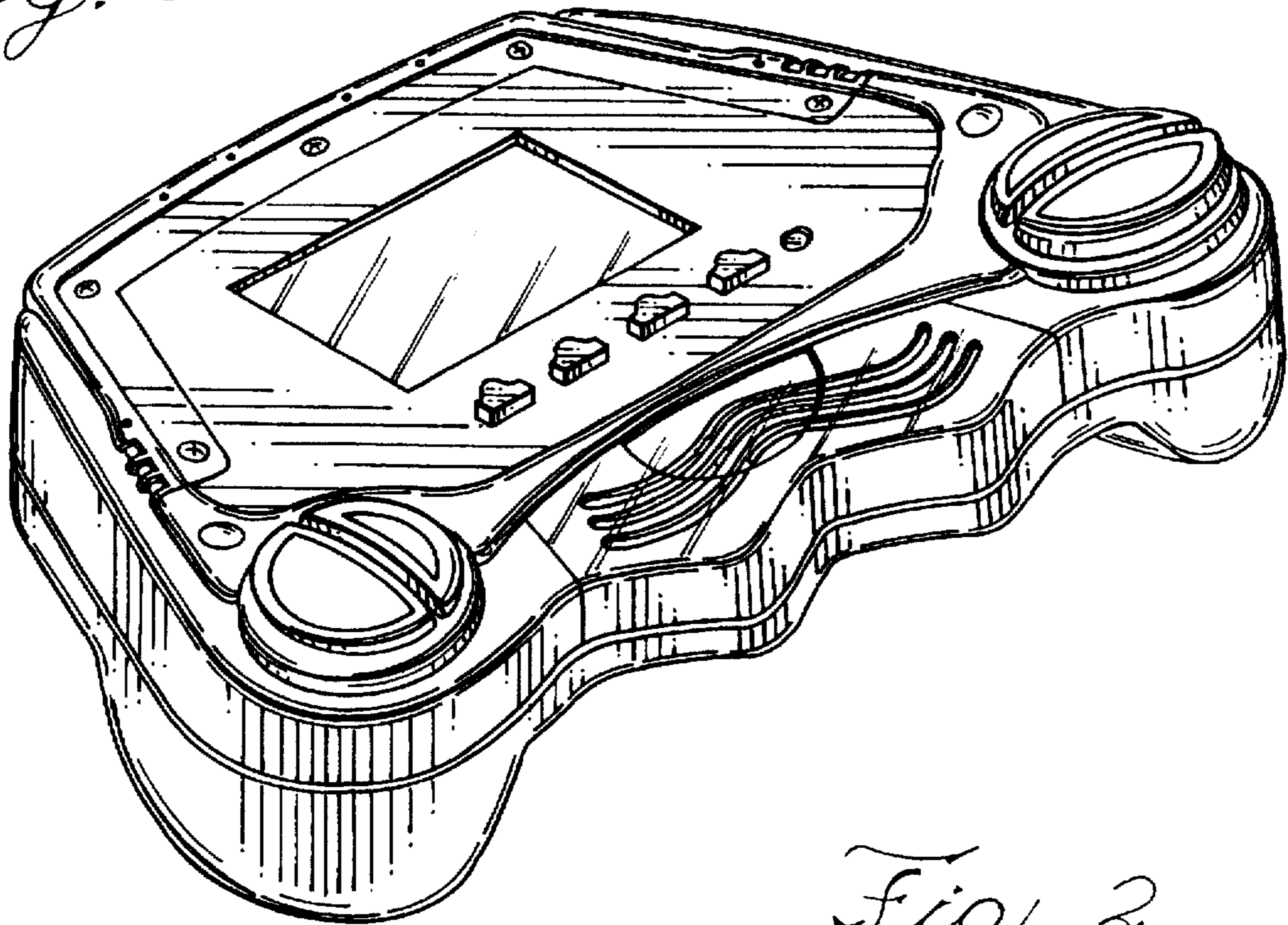
FIG. 6 is a bottom plan view of the cabinet housing of FIG. 1; and,

FIG. 7 is a rear elevational view of the cabinet housing of FIG. 1.

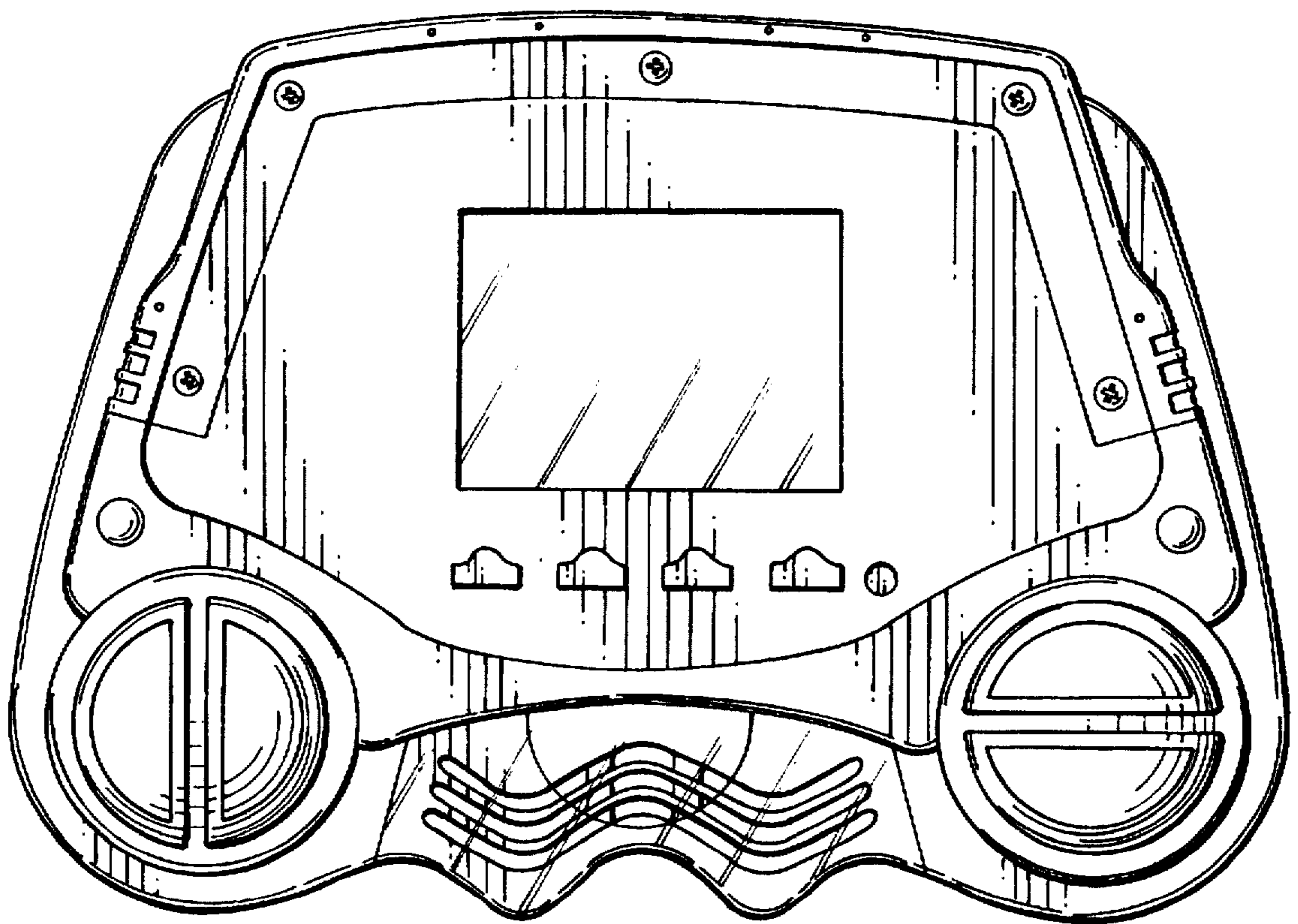
**1 Claim, 3 Drawing Sheets**



*Fig. 1*

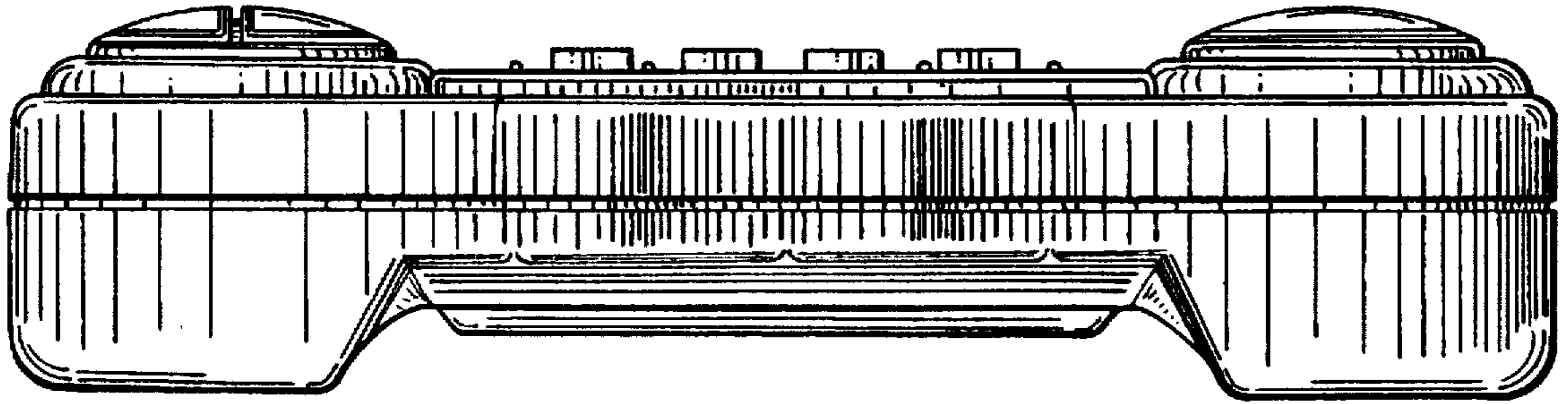


*Fig. 2*

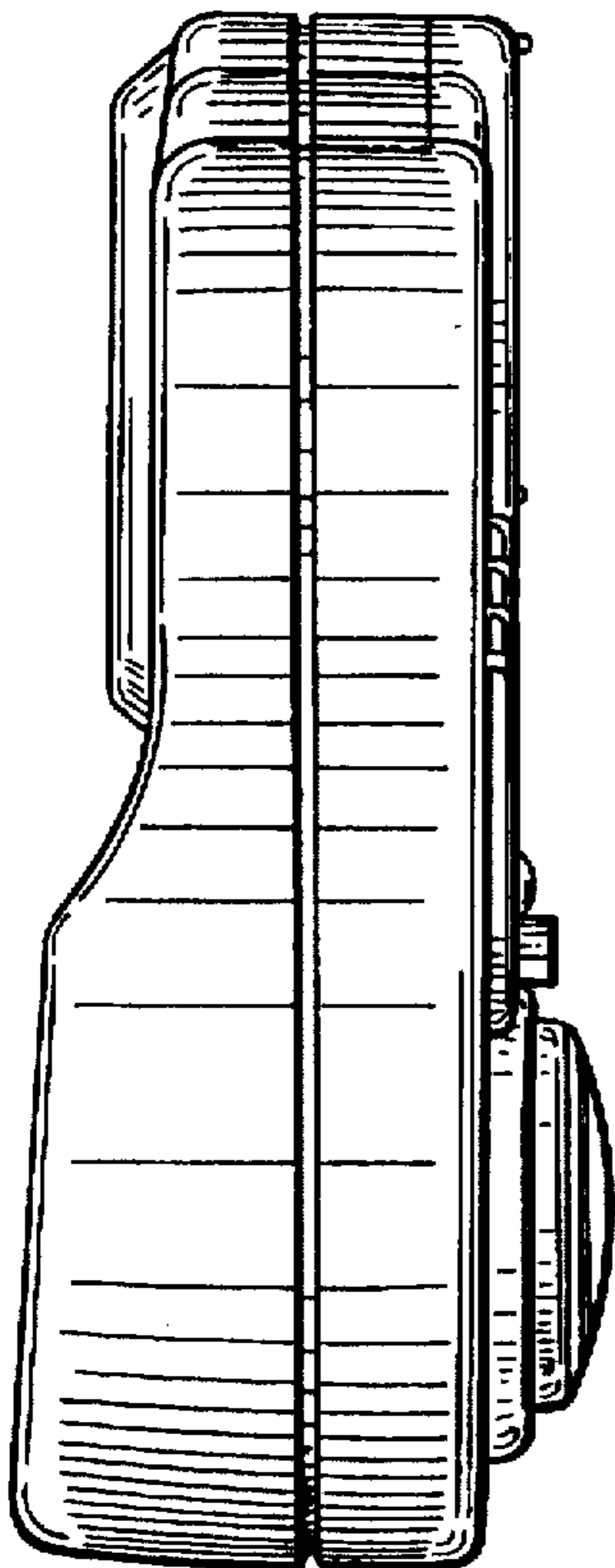




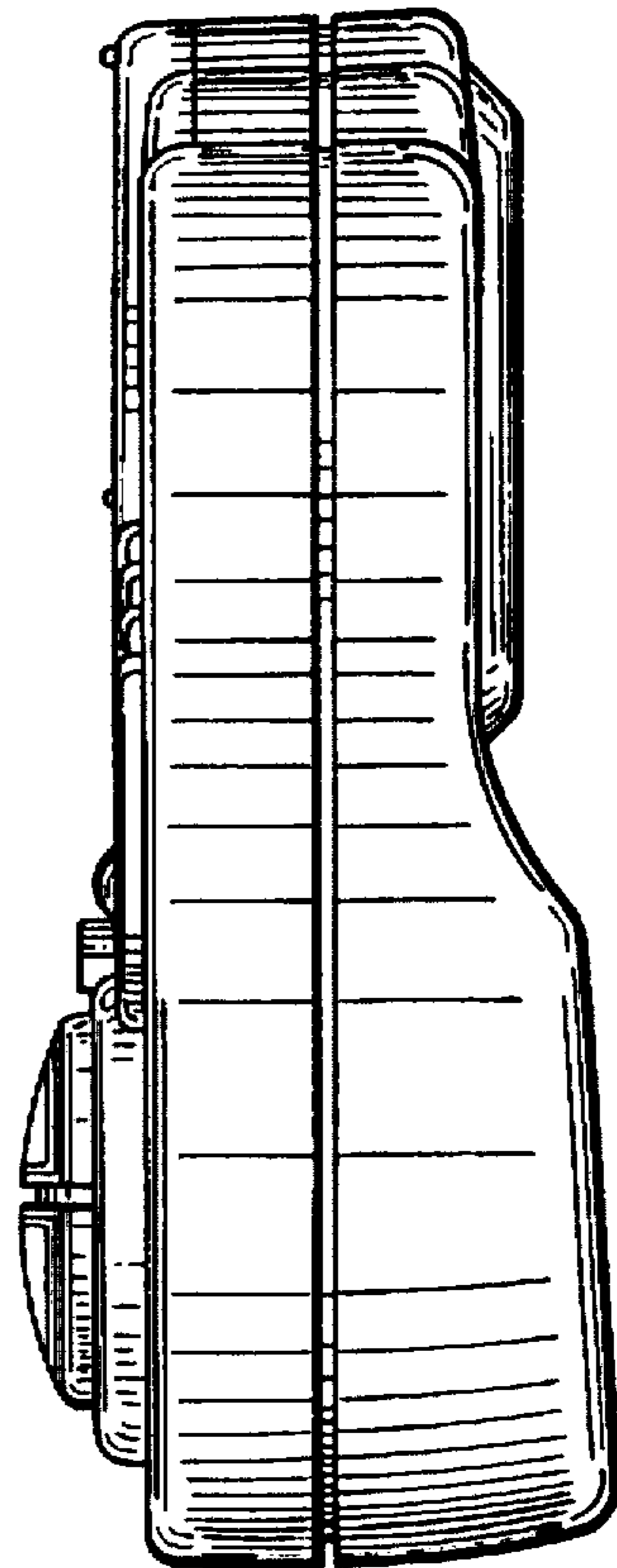
*Fig. 3*



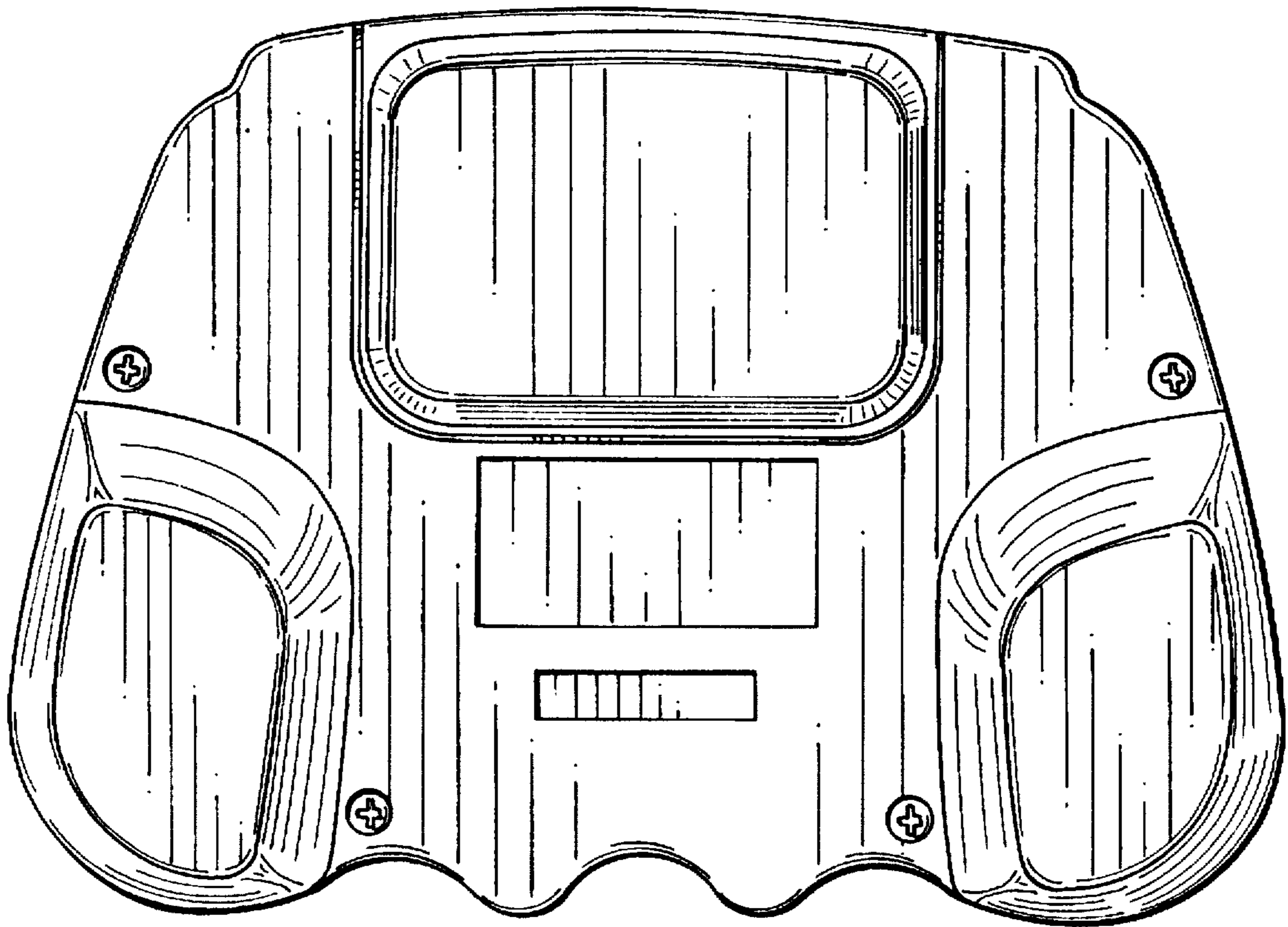
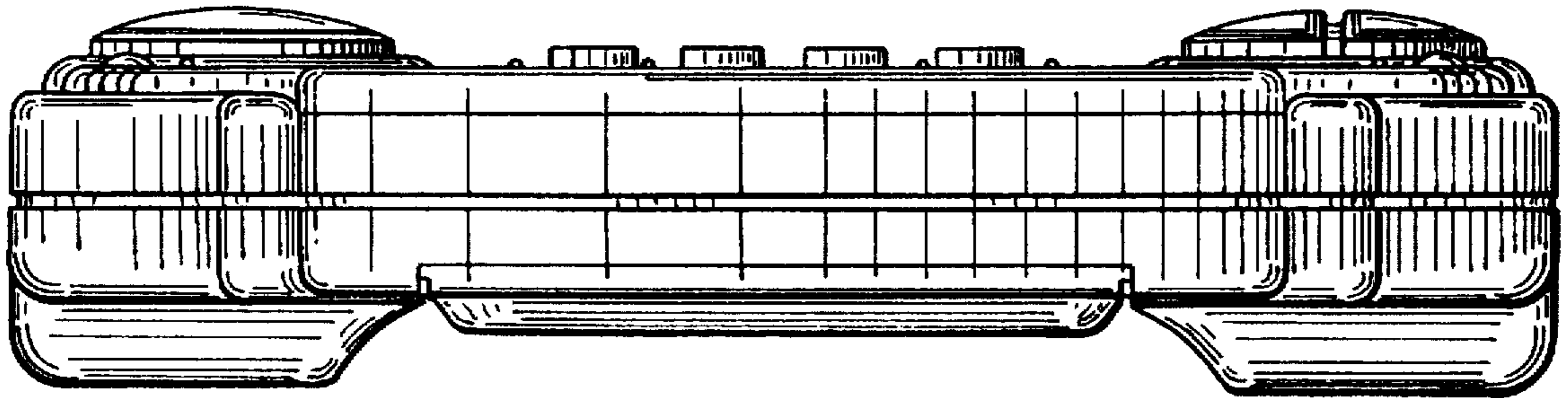
*Fig. 4*



*Fig. 5*



*Fig. 7*



*Fig. 6*

UNITED STATES PATENT AND TRADEMARK OFFICE  
**CERTIFICATE OF CORRECTION**

PATENT NO. : Des. 397,369  
DATED : August 25, 1998  
INVENTOR(S) : Owen R. Rissman

It is certified that error appears in the above-identified patent and that said Letters Patent is hereby corrected as shown below:

On the Title Page, under "[56] References Cited, U.S. PATENT DOCUMENTS", add the following references:

-- D 309,161	7/1990	Leung
D 336,315	6/1993	Kitaue
D 338,045	8/1993	Rosen
D 380,501	7/1977	Osterhout et al.
5,161,803	11/1992	Ohara --;

and under "OTHER PUBLICATIONS", add the following reference:

-- Hong Kong Enterprise, p. 262, 10/1992. --

Signed and Sealed this  
Twelfth Day of January, 1999

Attest:



Attesting Officer

*Acting Commissioner of Patents and Trademarks*