



US00D397368S

United States Patent [19]
Rissman

[11] **Patent Number: Des. 397,368**

[45] **Date of Patent: **Aug. 25, 1998**

[54] **CABINET HOUSING FOR A HAND-HELD ELECTRONIC GAME**

[75] **Inventor: Owen R. Rissman, Vernon Hills, Ill.**

[73] **Assignee: Tiger Electronics, Inc., Vernon Hills, Ill.**

[**] **Term: 14 Years**

[21] **Appl. No.: 76,768**

[22] **Filed: Sep. 23, 1997**

[51] **LOC (6) Cl. 21-01**

[52] **U.S. Cl. D21/13**

[58] **Field of Search D21/1, 13, 48; 273/148 B; 463/1, 30-35, 46, 47**

[56] **References Cited**

U.S. PATENT DOCUMENTS

D. 309,161	7/1990	Leung	D21/13
D. 336,315	6/1993	Kitaue	D21/13
D. 338,045	8/1993	Rosen	D21/13
D. 380,501	7/1997	Osterhout et al.	D21/13
5,161,803	11/1992	Ohara	463/435
5,184,830	2/1993	Okapa et al.	463/29

OTHER PUBLICATIONS

Hong Kong Enterprise, p. 262, Oct. 1992.

Primary Examiner—Prabhakar G. Deshmukh
Attorney, Agent, or Firm—Fitch, Even, Tabin & Flannery

[57] **CLAIM**

The ornamental design for a cabinet housing for a hand-held electronic game, as shown and described.

DESCRIPTION

FIG. 1 is a perspective view of the cabinet housing for a hand-held electronic game according to my new design; FIG. 2 is a top plan view of the cabinet housing of FIG. 1; FIG. 3 is a front elevational view of the cabinet housing of FIG. 1; and FIG. 4 is a left side elevational view of the cabinet housing of FIG. 1; FIG. 5 is a right side elevational view of the cabinet housing of FIG. 1; FIG. 6 is a bottom plan view of the cabinet housing of FIG. 1; and, FIG. 7 is a rear elevational view of the cabinet housing of FIG. 1.

1 Claim, 2 Drawing Sheets

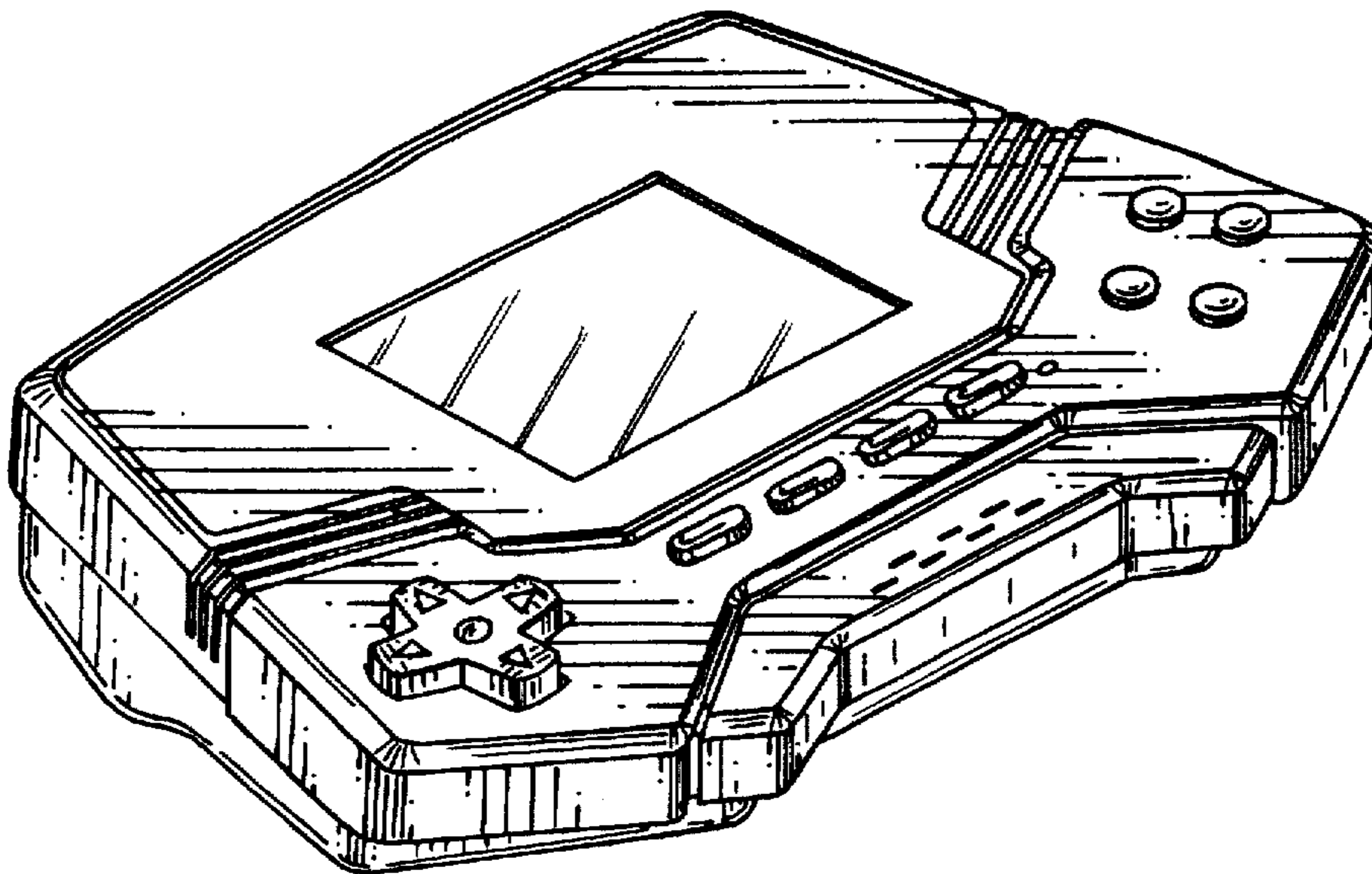


Fig. 1

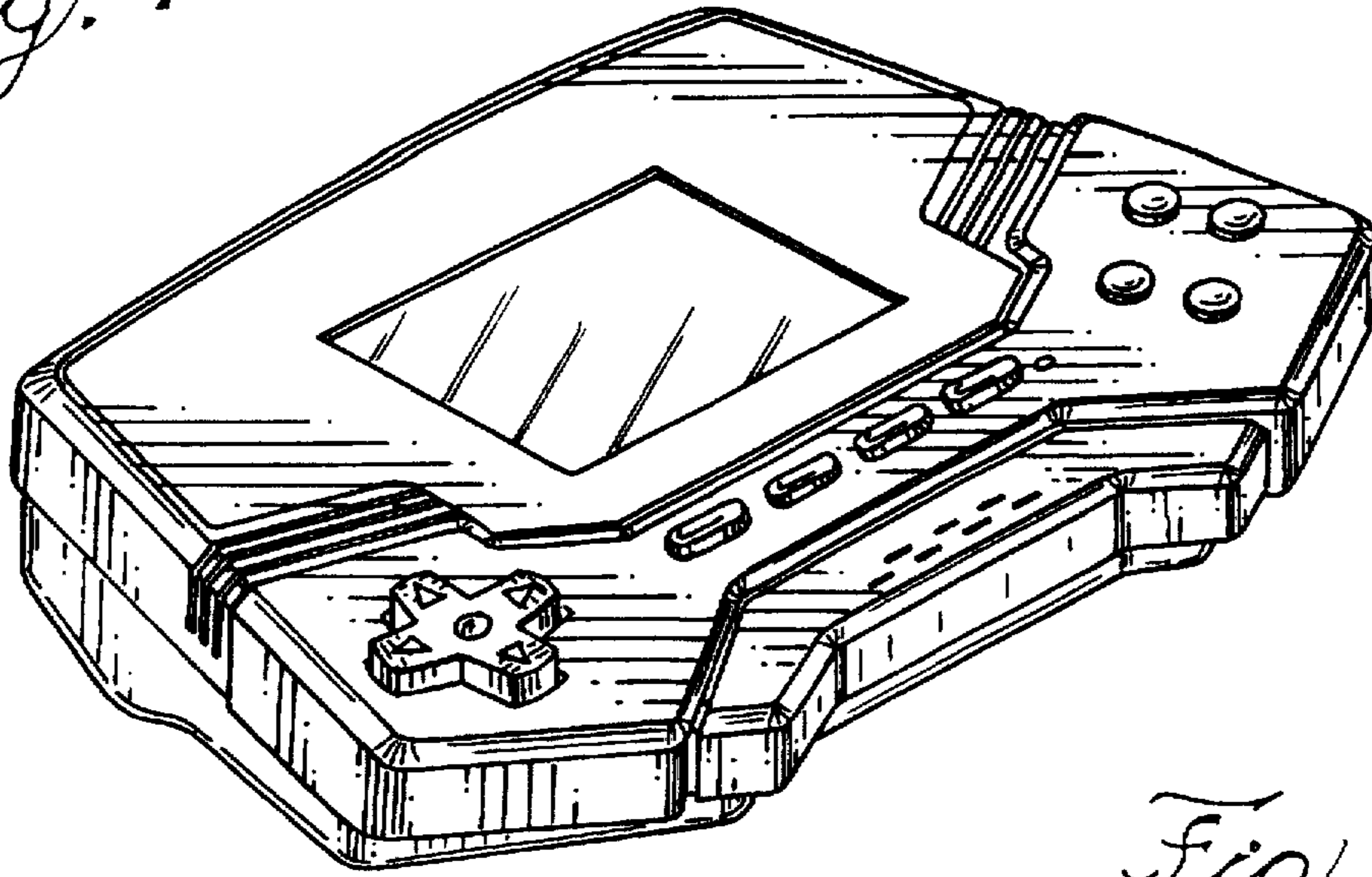


Fig. 2

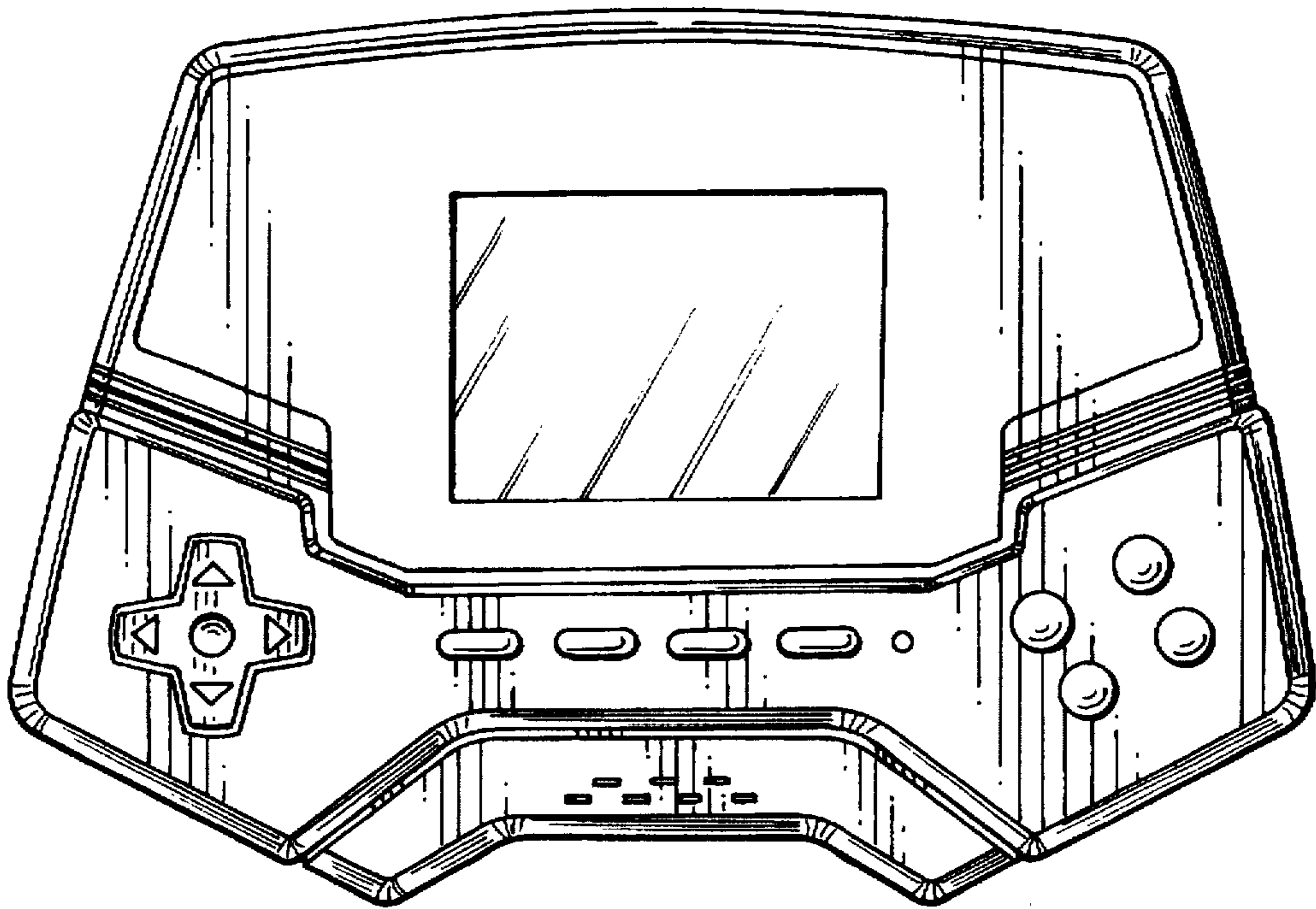
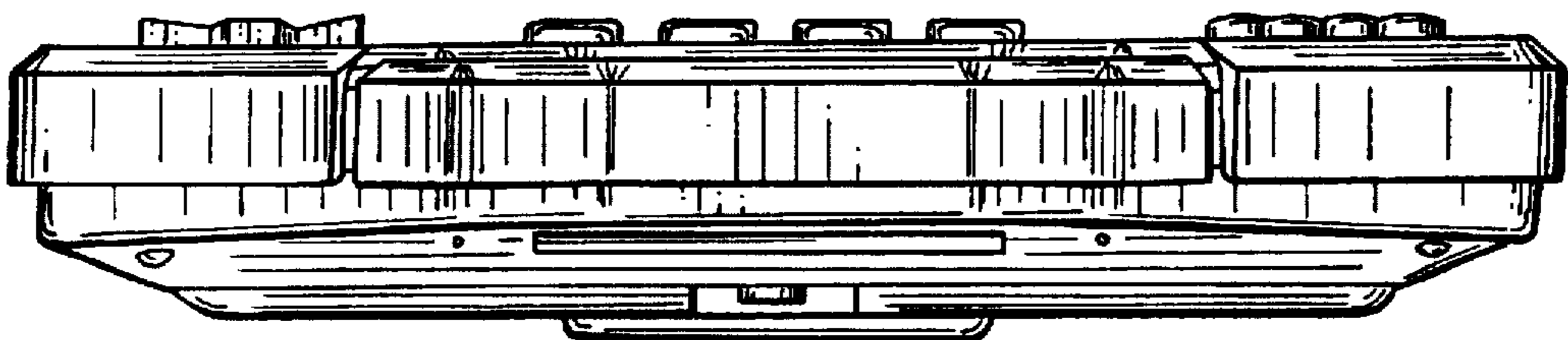


Fig. 3



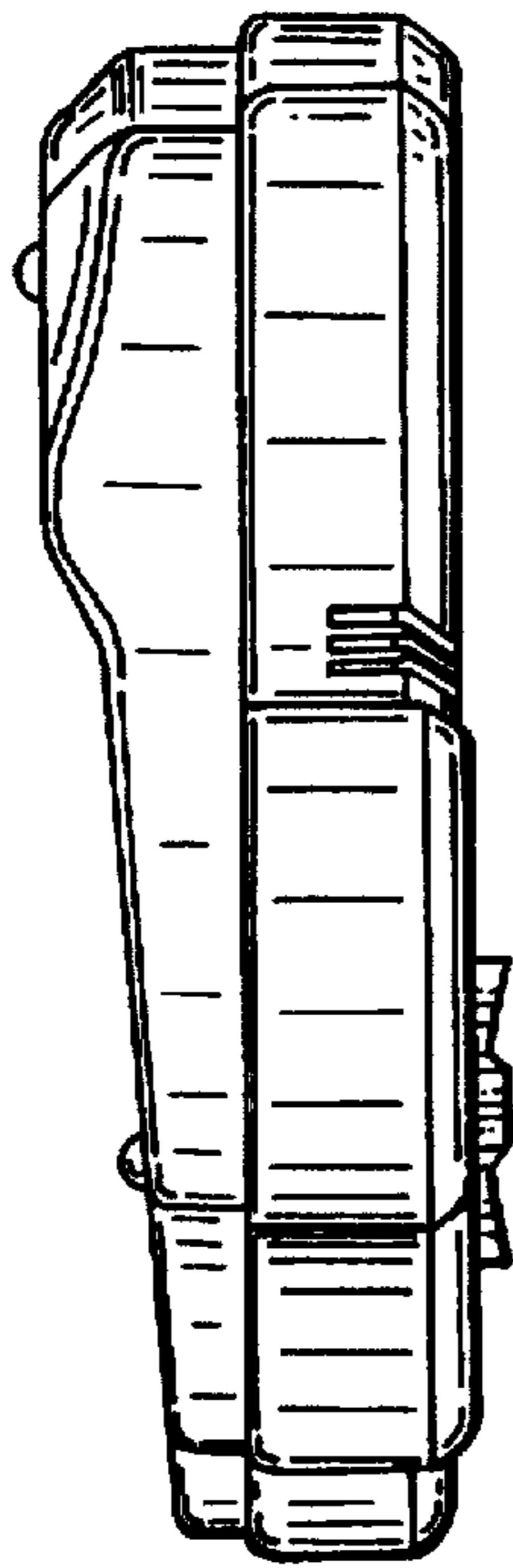


Fig. 4

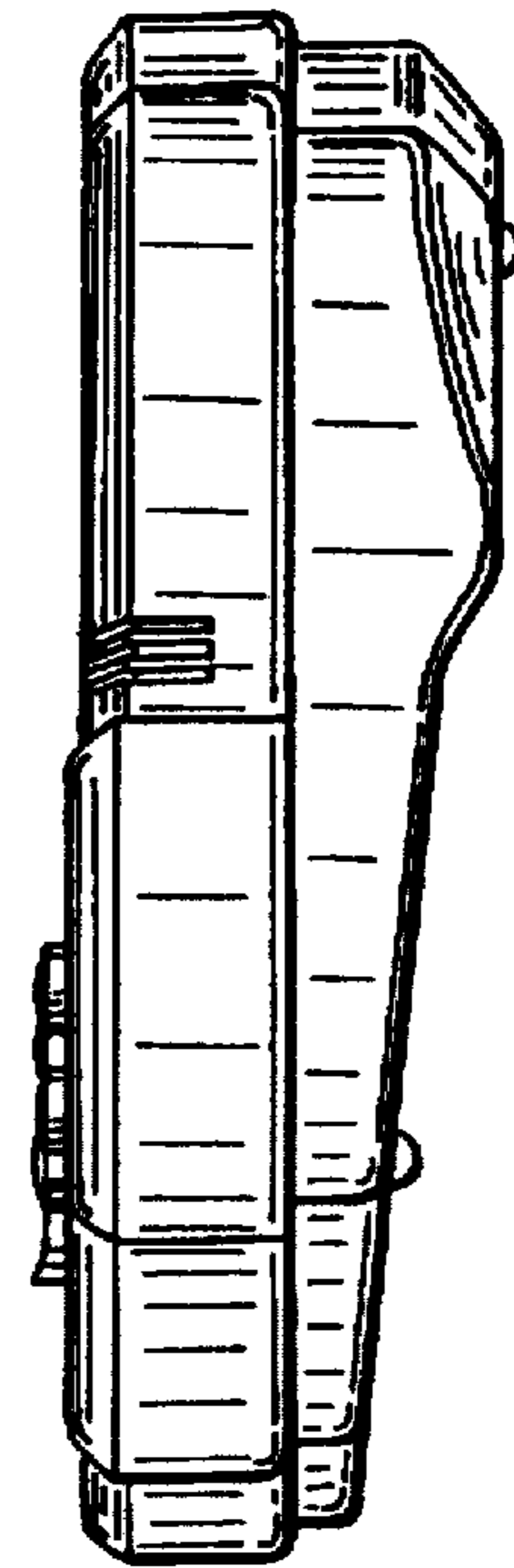


Fig. 5

Fig. 6

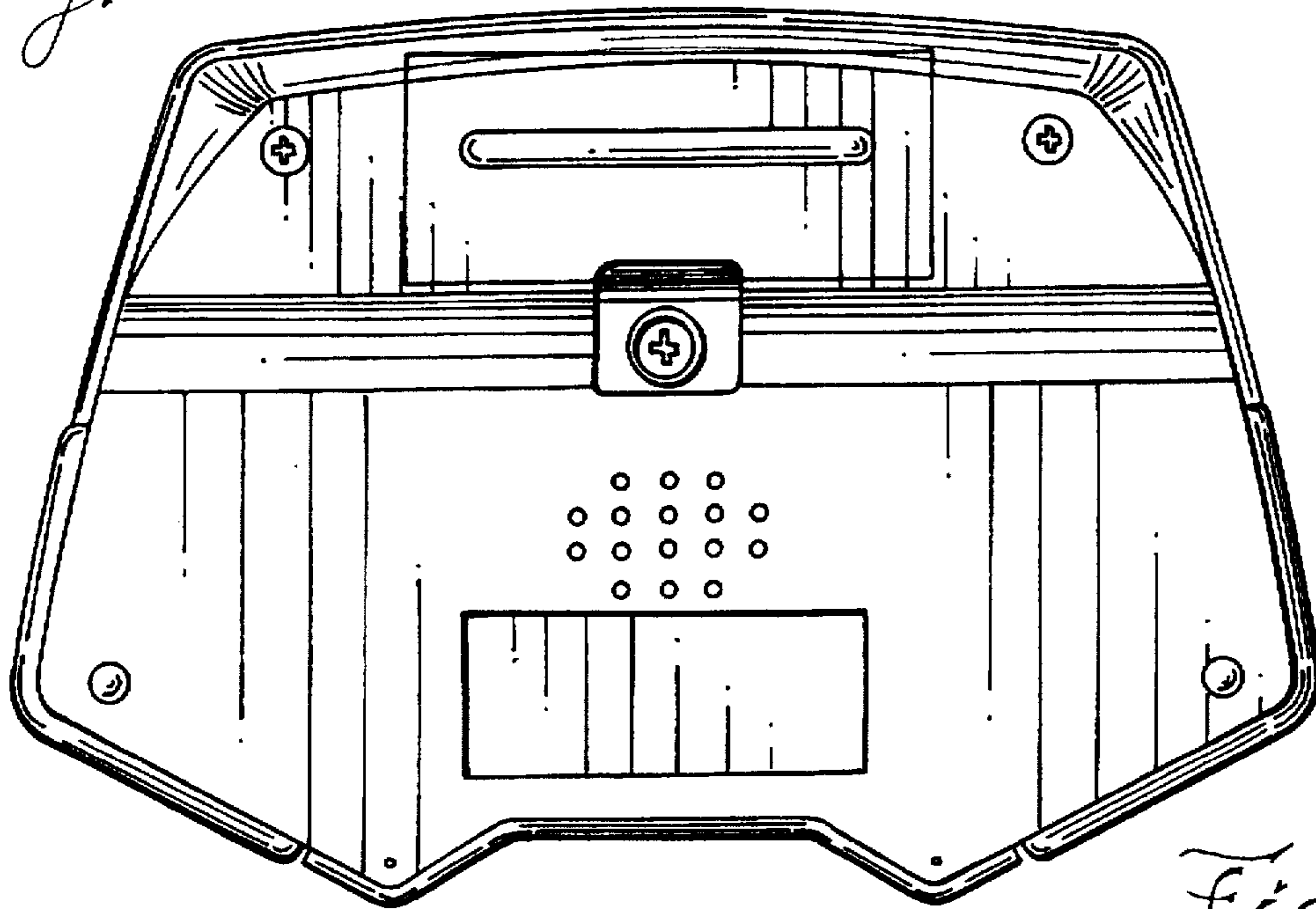


Fig. 7

