



US00D397366S

United States Patent [19]
Wamsley

[11] **Patent Number: Des. 397,366**
[45] **Date of Patent: **Aug. 25, 1998**

[54] **BANNER HANGER**

[75] **Inventor: Stephen D. Wamsley, Lakewood, Ohio**

[73] **Assignee: Fasteners For Retail, Inc., Cleveland, Ohio**

[**] **Term: 14 Years**

[21] **Appl. No.: 75,440**

[22] **Filed: Aug. 20, 1997**

[51] **LOC (6) Cl. 08-05**

[52] **U.S. Cl. D20/43**

[58] **Field of Search D8/373; D20/43;
D25/119, 122-125; 40/617, 603; 248/221.4;
D6/410**

[56] **References Cited**

U.S. PATENT DOCUMENTS

- D. 308,547 6/1990 Kendes D20/43
- D. 337,257 7/1993 Danieli D25/122 X
- D. 355,788 2/1995 Irvin D8/373 X
- D. 372,939 8/1996 Callas D20/43

FOREIGN PATENT DOCUMENTS

1257474 7/1989 Canada .

OTHER PUBLICATIONS

Cover page entitled IDL Instachane Displays Limited 1995 Display Guide and p. 50 thereof.

FFR Fasteners for Retail 1997 Buyers Guide (cover page and 3 pages thereof).

Primary Examiner—Holly Baynham

Attorney, Agent, or Firm—Fay, Sharpe, Beall, Fagan, Minnich & McKee

[57] **CLAIM**

The ornamental design for a banner hanger, as shown.

DESCRIPTION

FIG. 1 is a perspective view of a banner hanger formed in accordance with the present invention as shown from the upper left thereof and with the banner hanger being shown in a closed position;

FIG. 2 is a side elevational view from the right side thereof;

FIG. 3 is a side elevational view from the left side thereof;

FIG. 4 is a front elevational view thereof;

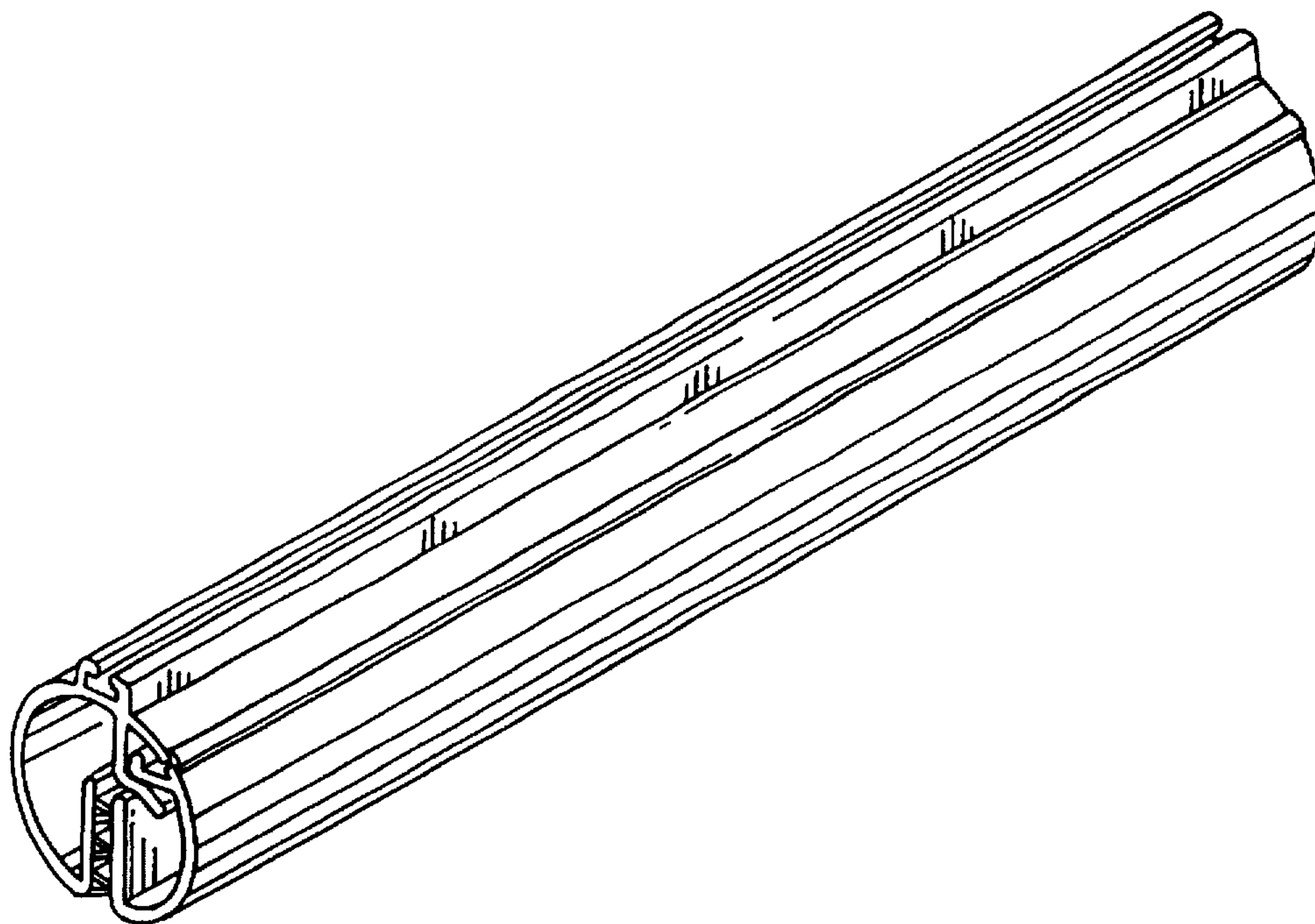
FIG. 5 is a rear elevational view thereof;

FIG. 6 is a top plan view thereof;

FIG. 7 is a bottom plan view thereof; and,

FIG. 8 is a perspective view thereof with the banner hanger being shown in an open position.

1 Claim, 2 Drawing Sheets



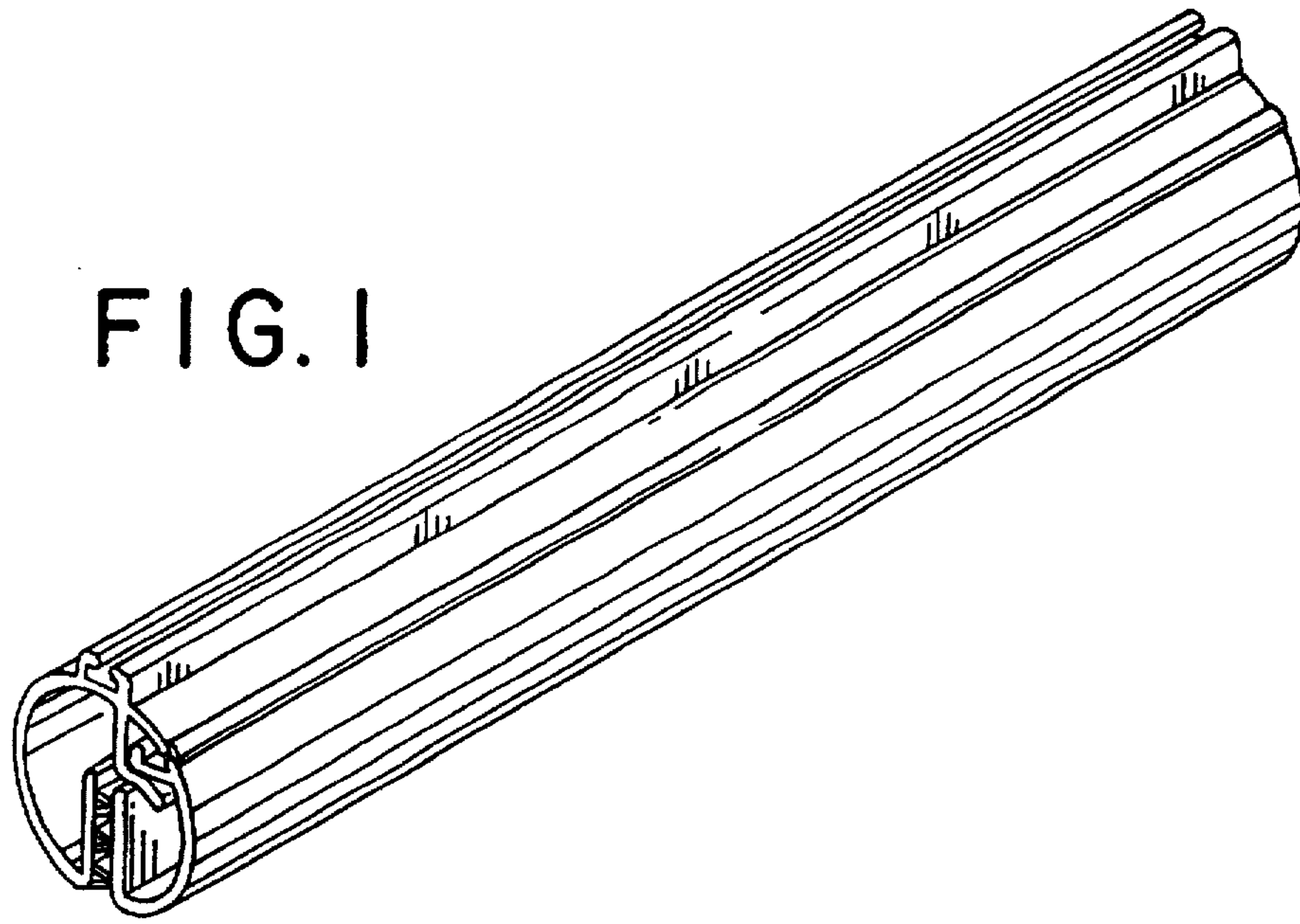


FIG. 1

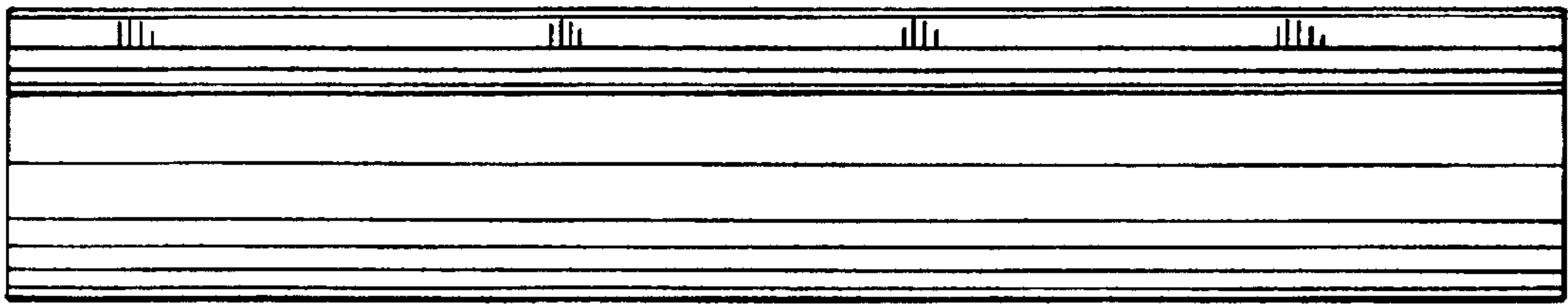


FIG. 2

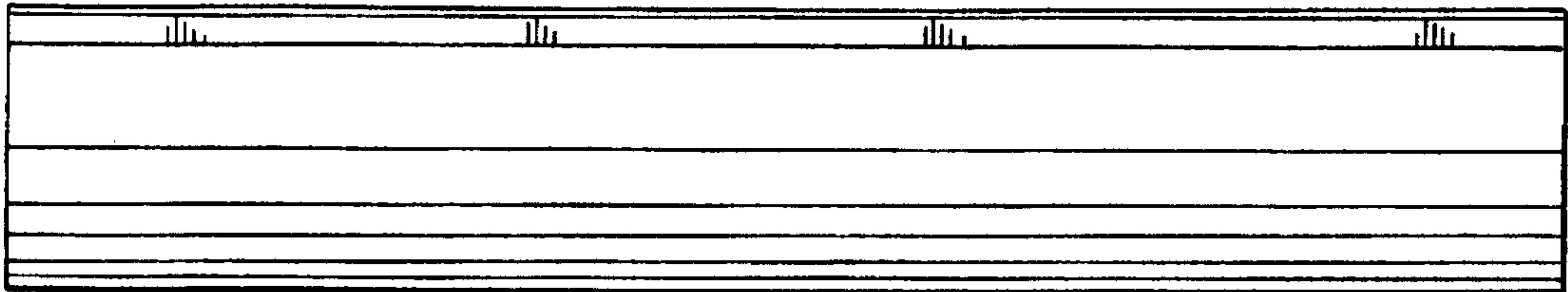


FIG. 3

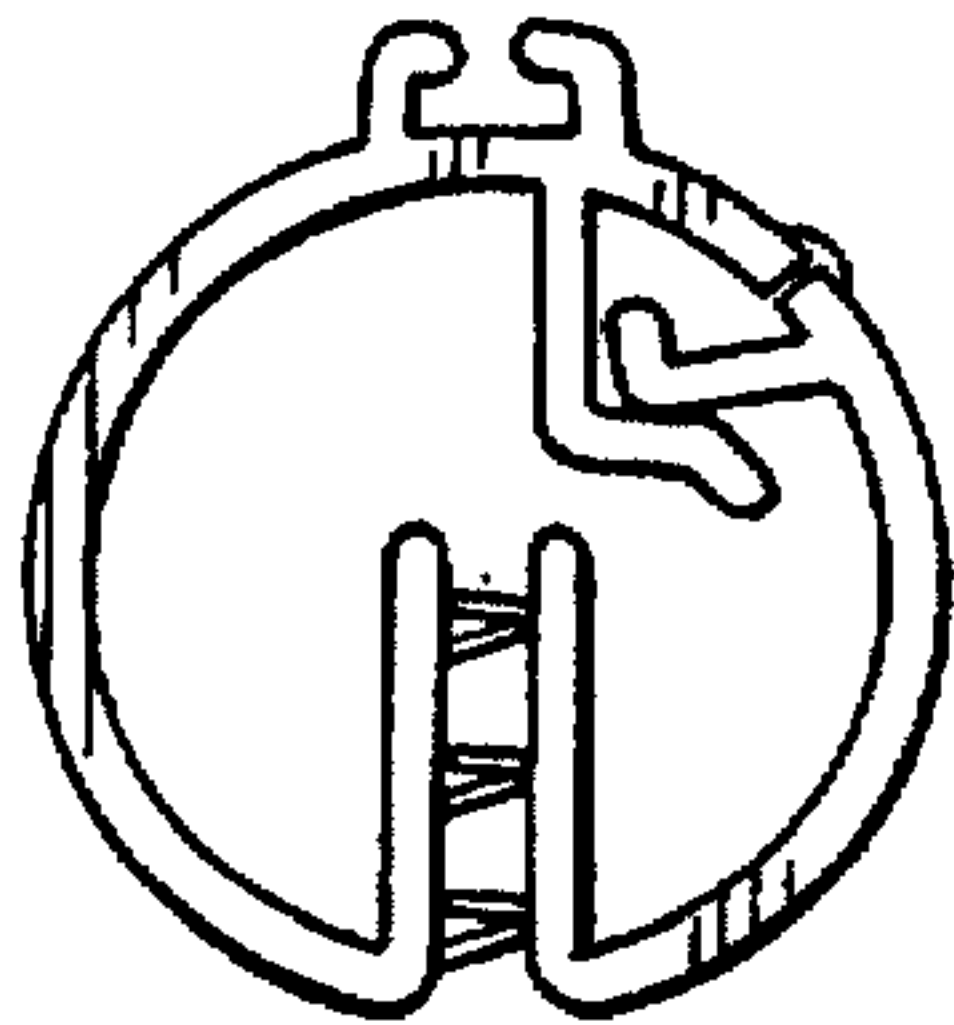


FIG. 4

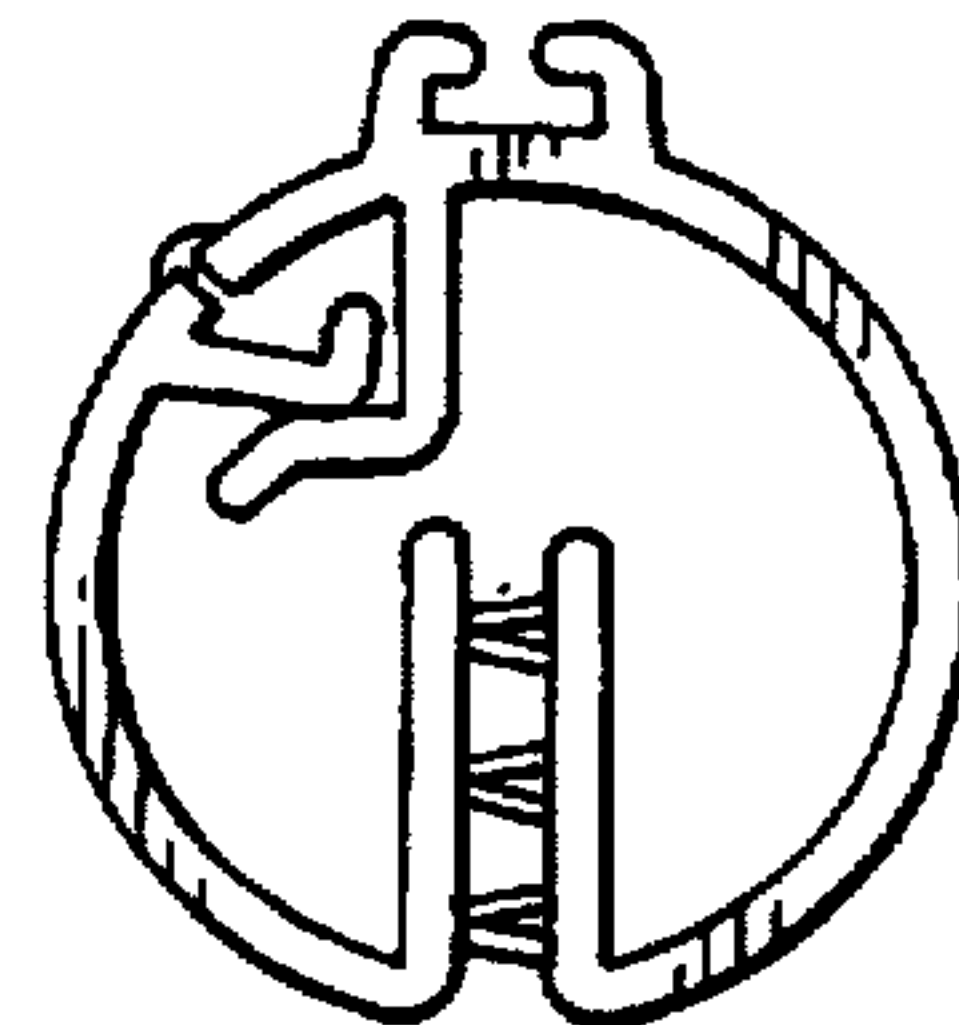


FIG. 5

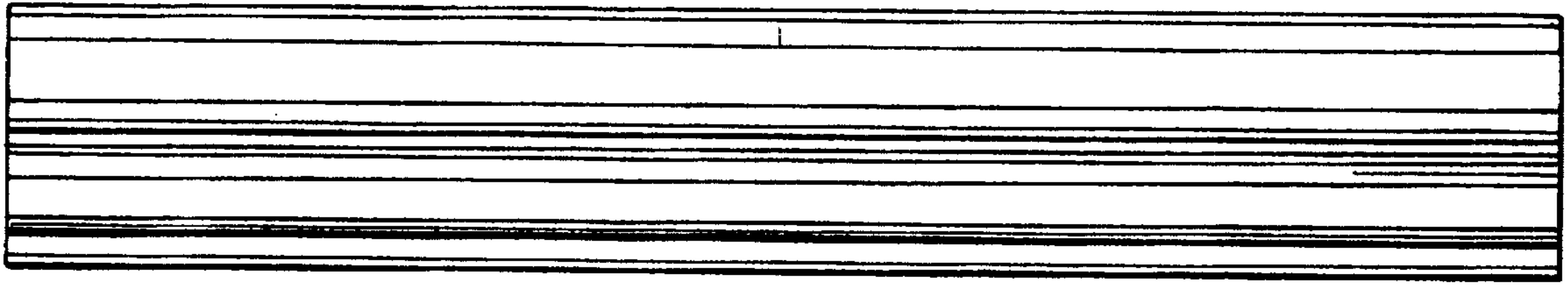


FIG. 6

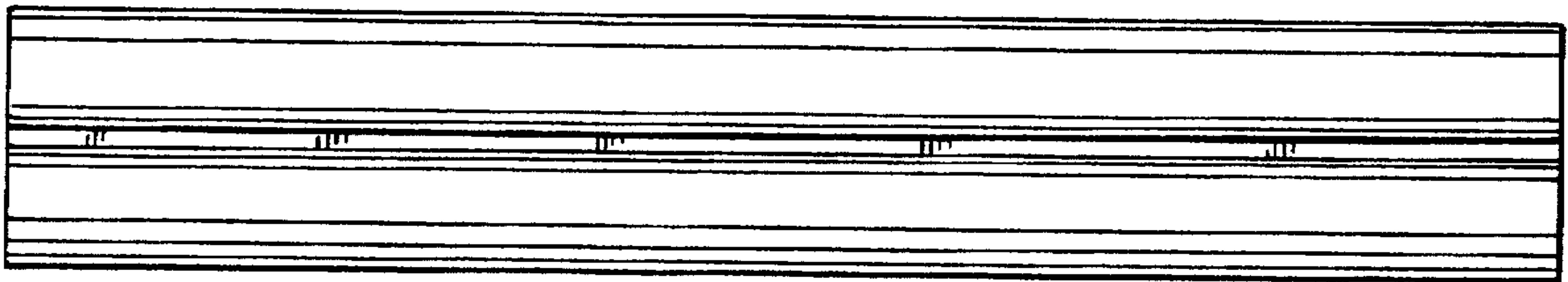


FIG. 7

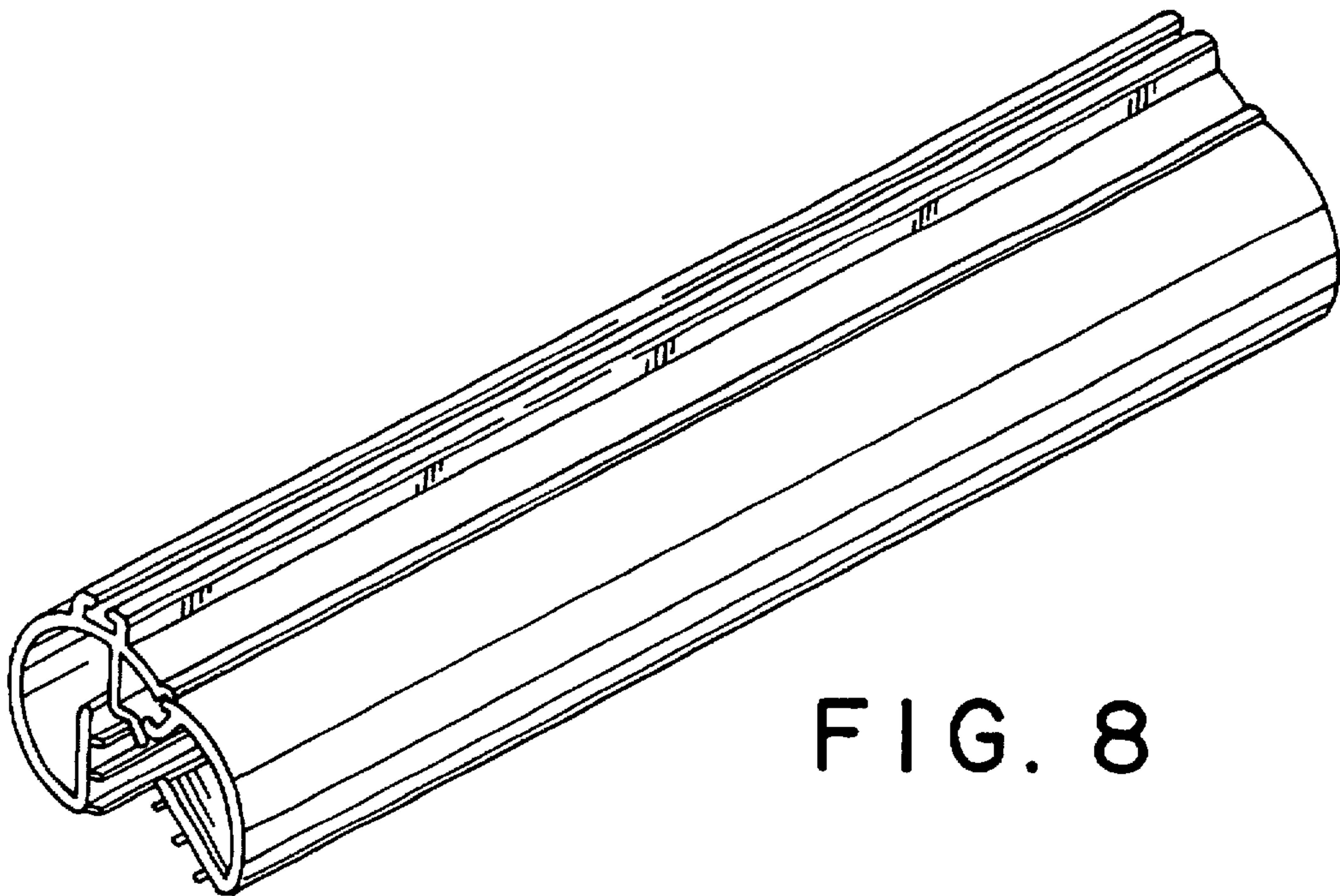


FIG. 8