



US00D397365S

**United States Patent** [19]  
**Johnson**

[11] **Patent Number: Des. 397,365**  
[45] **Date of Patent: \*\*Aug. 25, 1998**

[54] **OUTDOOR BUSINESS CARD HOLDER**

5,588,237 12/1996 Chase et al. .... 40/597

[76] **Inventor: Gregory H. Johnson, P.O. Box 688,  
Ogunquit, Me. 03907**

*Primary Examiner*—Susan J. Lucas  
*Assistant Examiner*—Jennifer Rivard  
*Attorney, Agent, or Firm*—William B. Ritchie; Michael J. Persson

[\*\*] **Term: 14 Years**

[21] **Appl. No.: 71,004**

[57] **CLAIM**

[22] **Filed: May 7, 1997**

The ornamental design for outdoor business card holder, as shown and described.

[51] **LOC (6) Cl. .... 20-02**

**DESCRIPTION**

[52] **U.S. Cl. .... D20/43; D20/42; D19/90**

[58] **Field of Search .... D20/10, 42, 43,  
D20/44, 27; 40/654.01, 642.02, 653, 654,  
657, 597, 661; D19/91, 90**

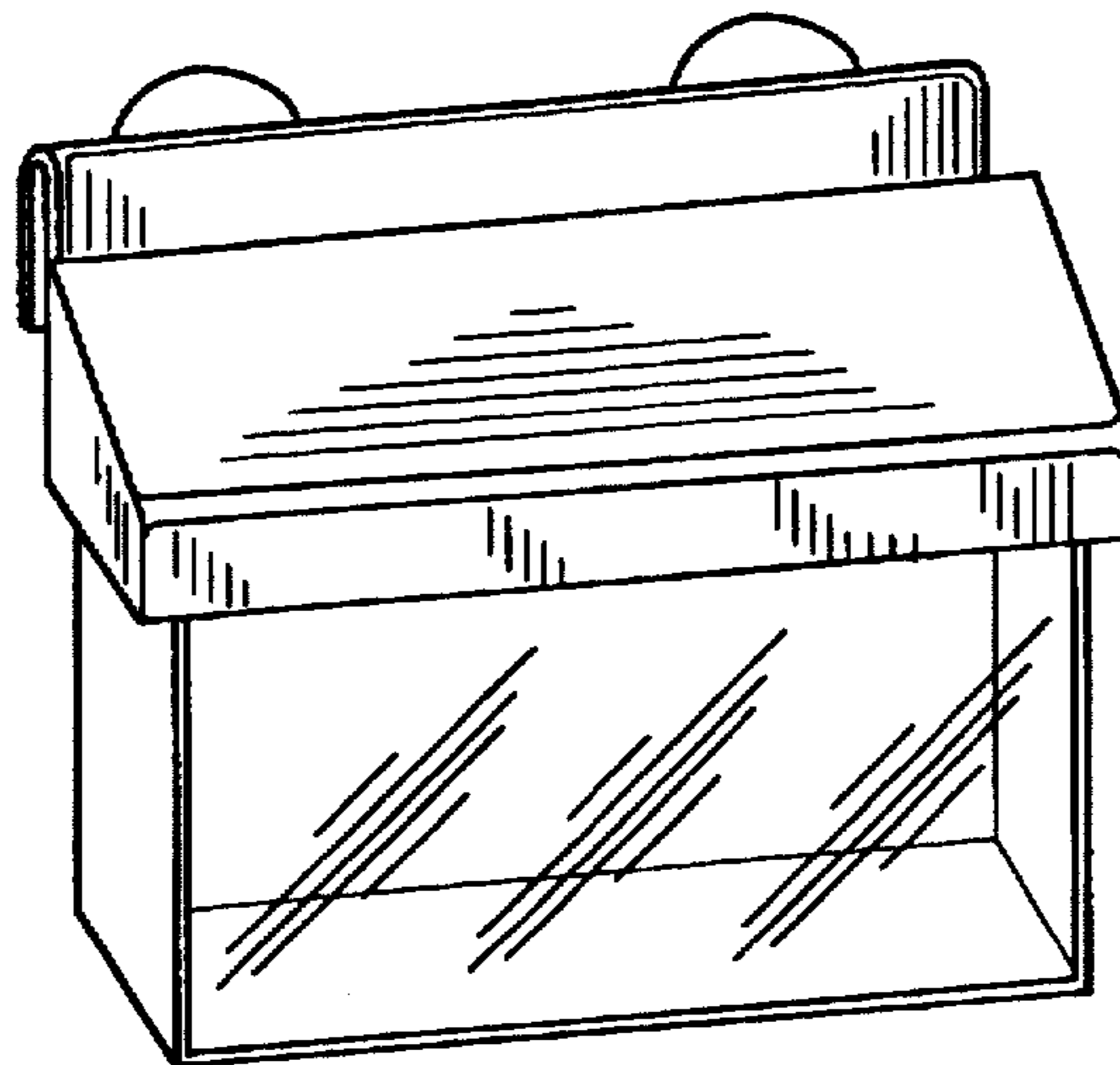
FIG. 1 is a top view of the outdoor business card holder in accordance with the invention;  
FIG. 2 is a front view;  
FIG. 3 is a right view, left side is identical;  
FIG. 4 is a rear view;  
FIG. 5 is a bottom view; and,  
FIG. 6 is a front isometric view.

[56] **References Cited**

**U.S. PATENT DOCUMENTS**

D. 313,820 1/1991 Wright ..... D9/90  
3,452,463 7/1969 Chaput ..... 40/653  
5,423,140 6/1995 Nuspl ..... 40/597 X

**1 Claim, 3 Drawing Sheets**



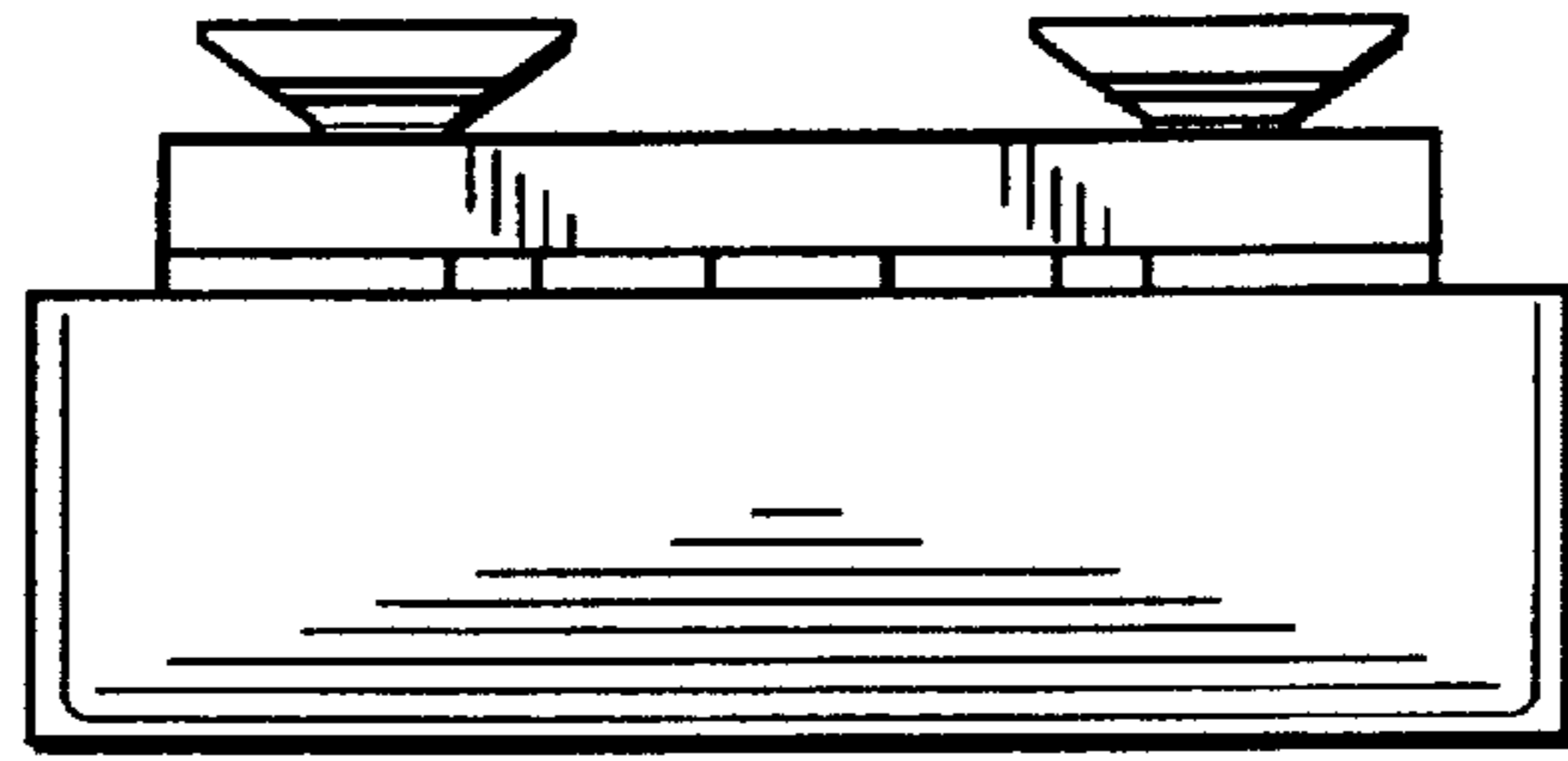


FIG. 1

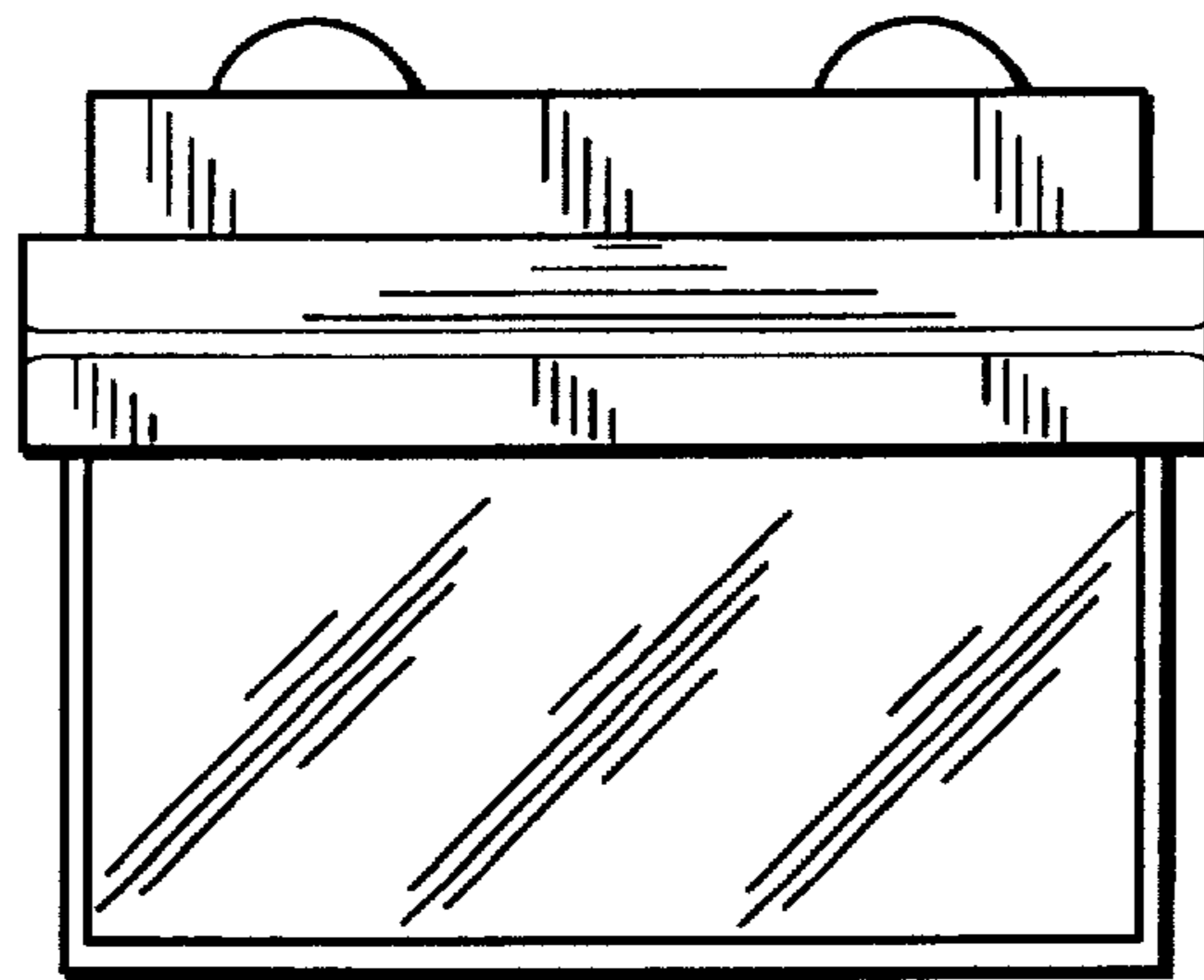


FIG. 2

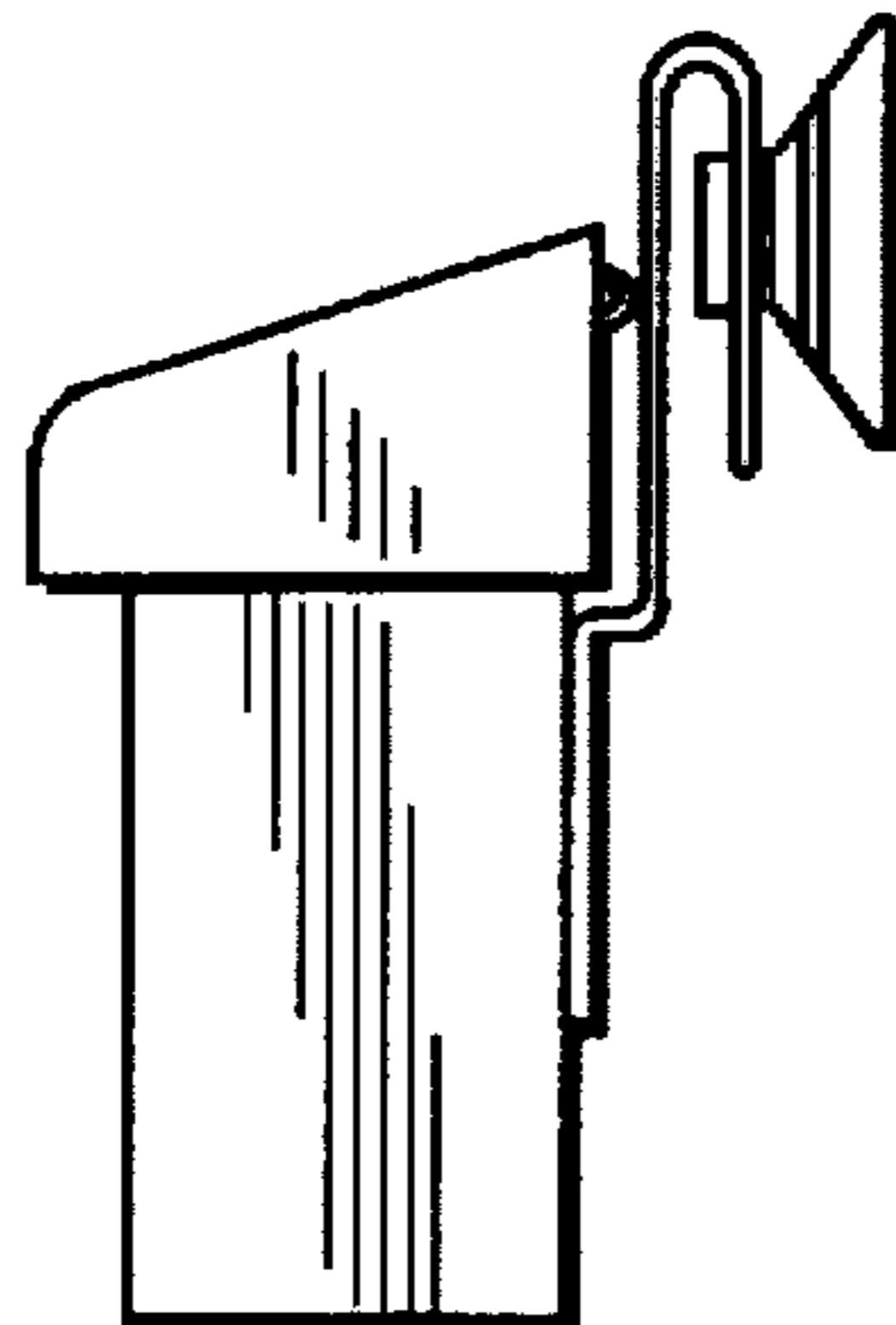


FIG. 3

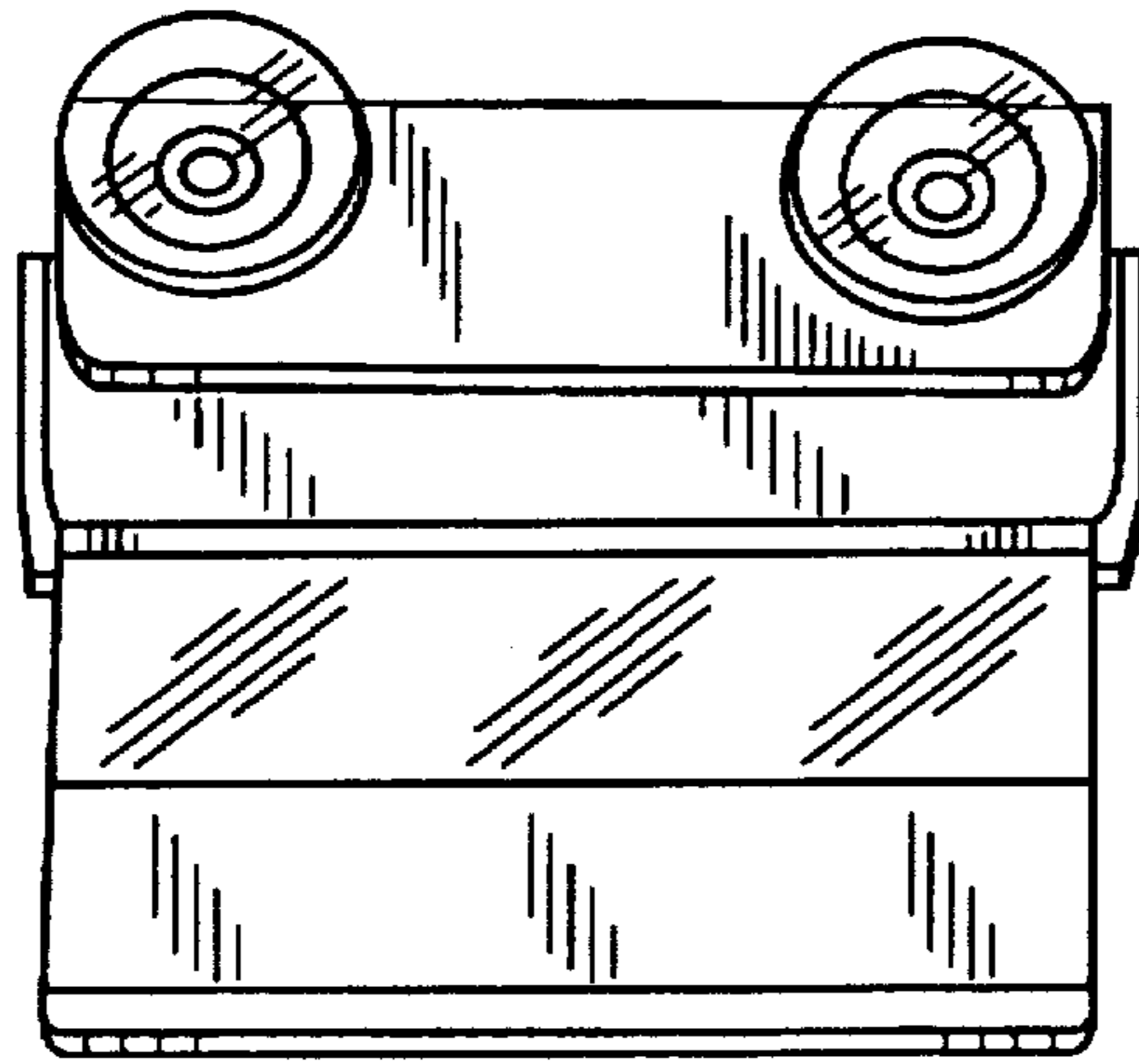


FIG. 4

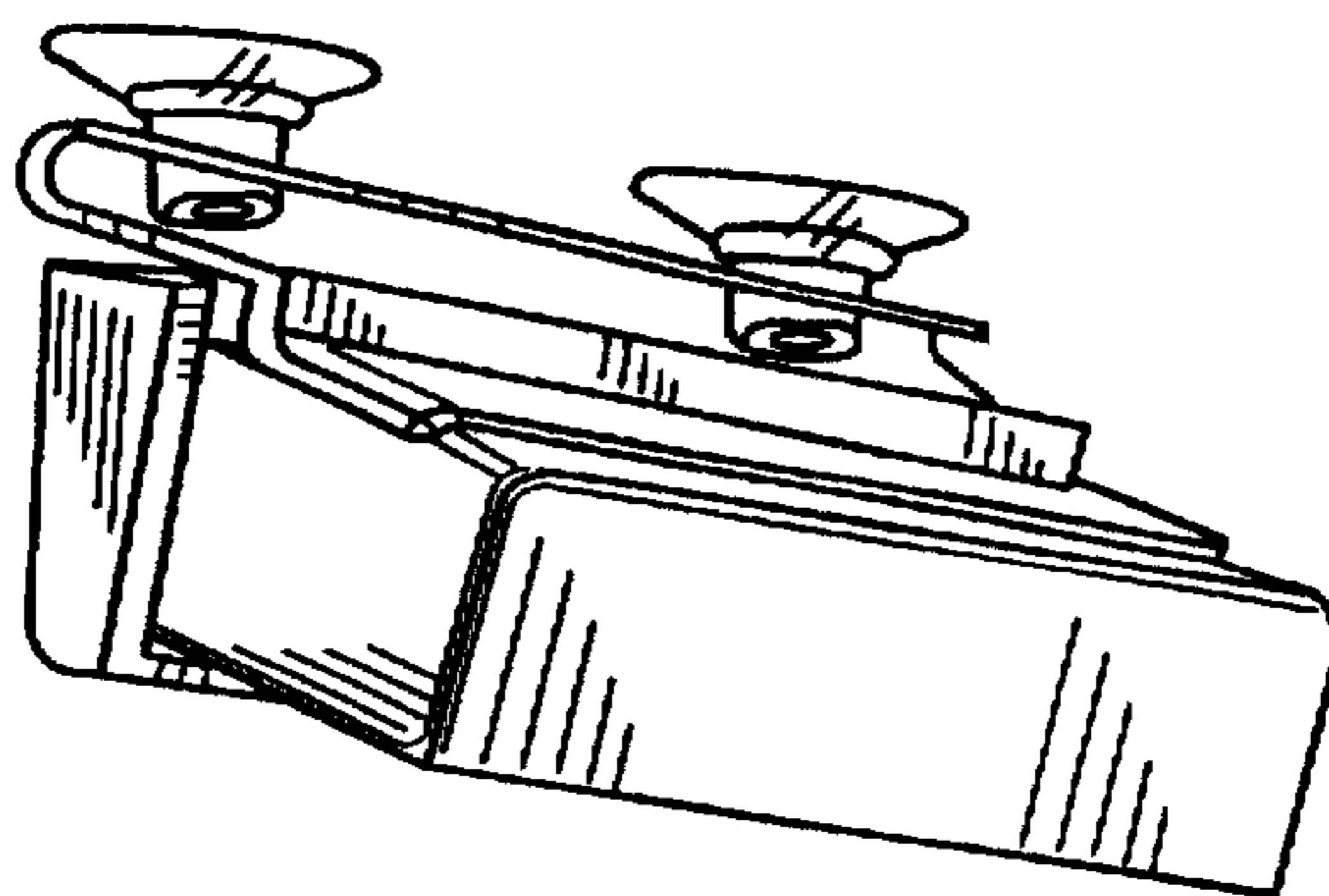


FIG. 5

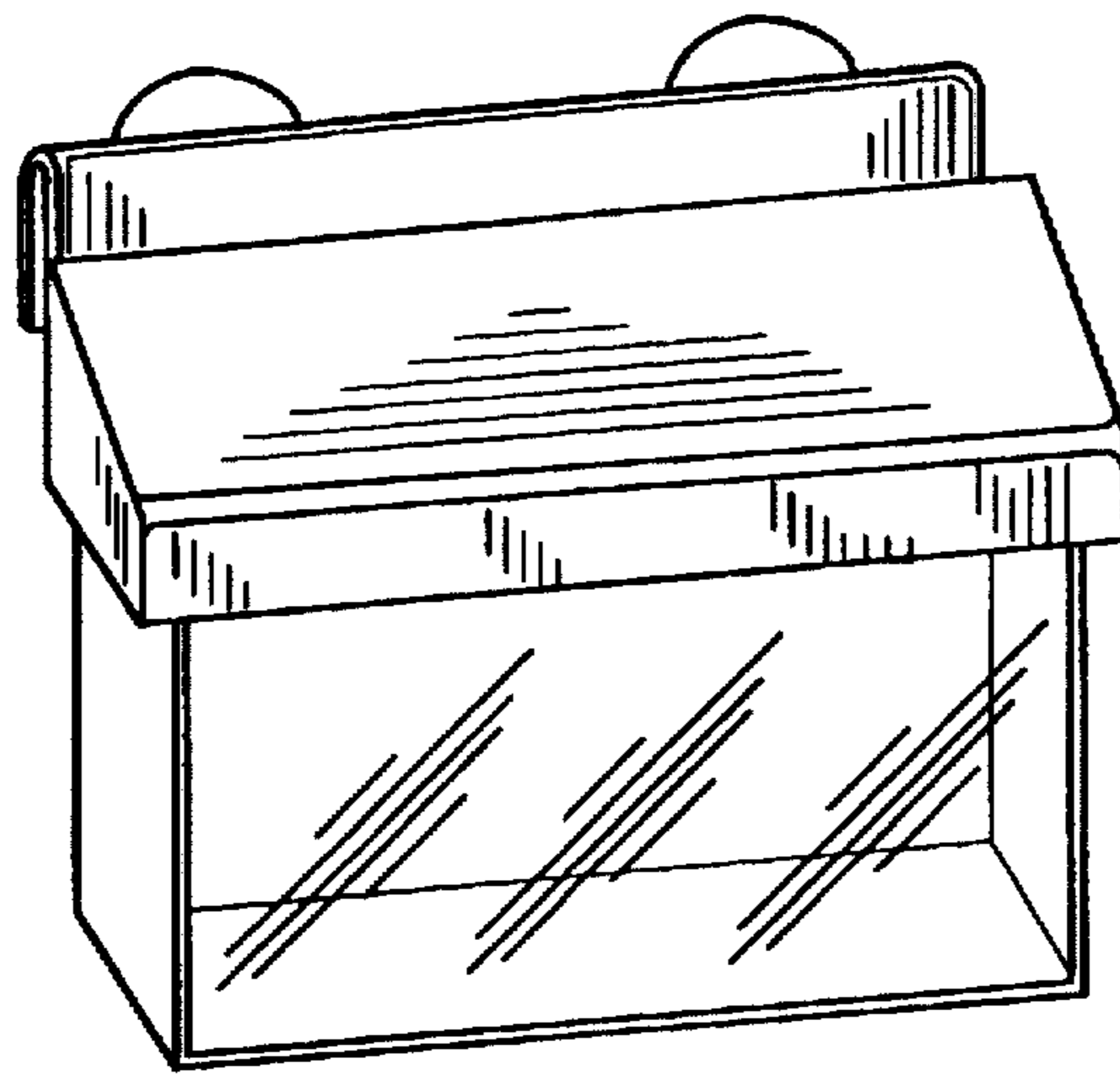


FIG. 6