



US00D397360S

# United States Patent [19]

Cheris et al.

[11] Patent Number: **Des. 397,360**

[45] Date of Patent: **\*\*Aug. 25, 1998**

[54] **CLIP AND CARD HOLDER**

[75] Inventors: **Albert B. Cheris, Highland Park;  
Mark Dziarsk, Chicago, both of Ill.**

[73] Assignee: **Tenex Corporation, Elk Grove Village,  
Ill.**

[\*\*] Term: **14 Years**

[21] Appl. No.: **75,950**

[22] Filed: **Aug. 29, 1997**

[51] **LOC (6) Cl.** ..... **19-02**

[52] **U.S. Cl.** ..... **D19/75; D19/77; D19/90**

[58] **Field of Search** ..... **D19/36, 65, 75,  
D19/77, 78, 85, 86, 90, 91, 92, 95, 99,  
100; 206/214, 224, 371; 211/10, 11, 45,  
50, 55, 69.1-69.9**

[56] **References Cited**

**U.S. PATENT DOCUMENTS**

- D. 139,831 12/1944 Posnack ..... D19/78
- D. 185,130 5/1959 Camilli ..... D19/78
- D. 330,047 10/1992 Evenson ..... D19/75 X

- D. 366,903 2/1996 Baggott ..... D19/90 X
- D. 387,384 12/1997 Meyer ..... D19/90
- 2,202,300 5/1940 Posnack ..... 211/50

*Primary Examiner*—Martie Thompson  
*Attorney, Agent, or Firm*—Lockwood, Alex, Fitzgibbon & Cummings

[57] **CLAIM**

The ornamental design for a clip and card holder, as shown and described.

**DESCRIPTION**

FIG. 1 is a perspective view of a clip and card holder showing our new design, the card and paper clip depicted by means of broken lines being shown for illustrative purposes only and forming no part of the claimed design; FIG. 2 is a front elevational view thereof; FIG. 3 is a top plan view thereof; FIG. 4 is a rear elevational view thereof; FIG. 5 is an elevational view of the left side thereof; FIG. 6 is an elevational view of the right side thereof; and, FIG. 7 is a bottom plan view thereof.

**1 Claim, 3 Drawing Sheets**

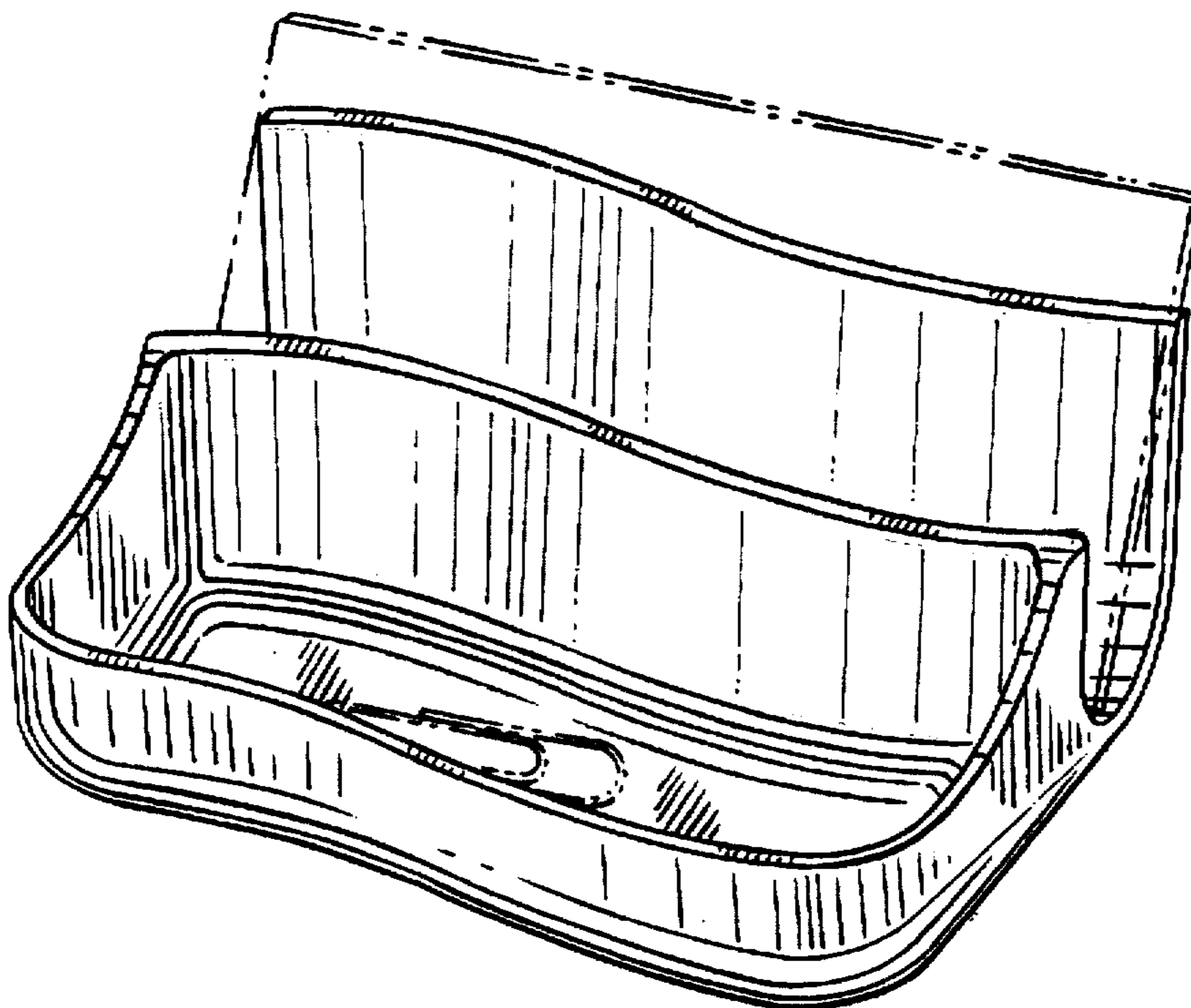


FIG. 1

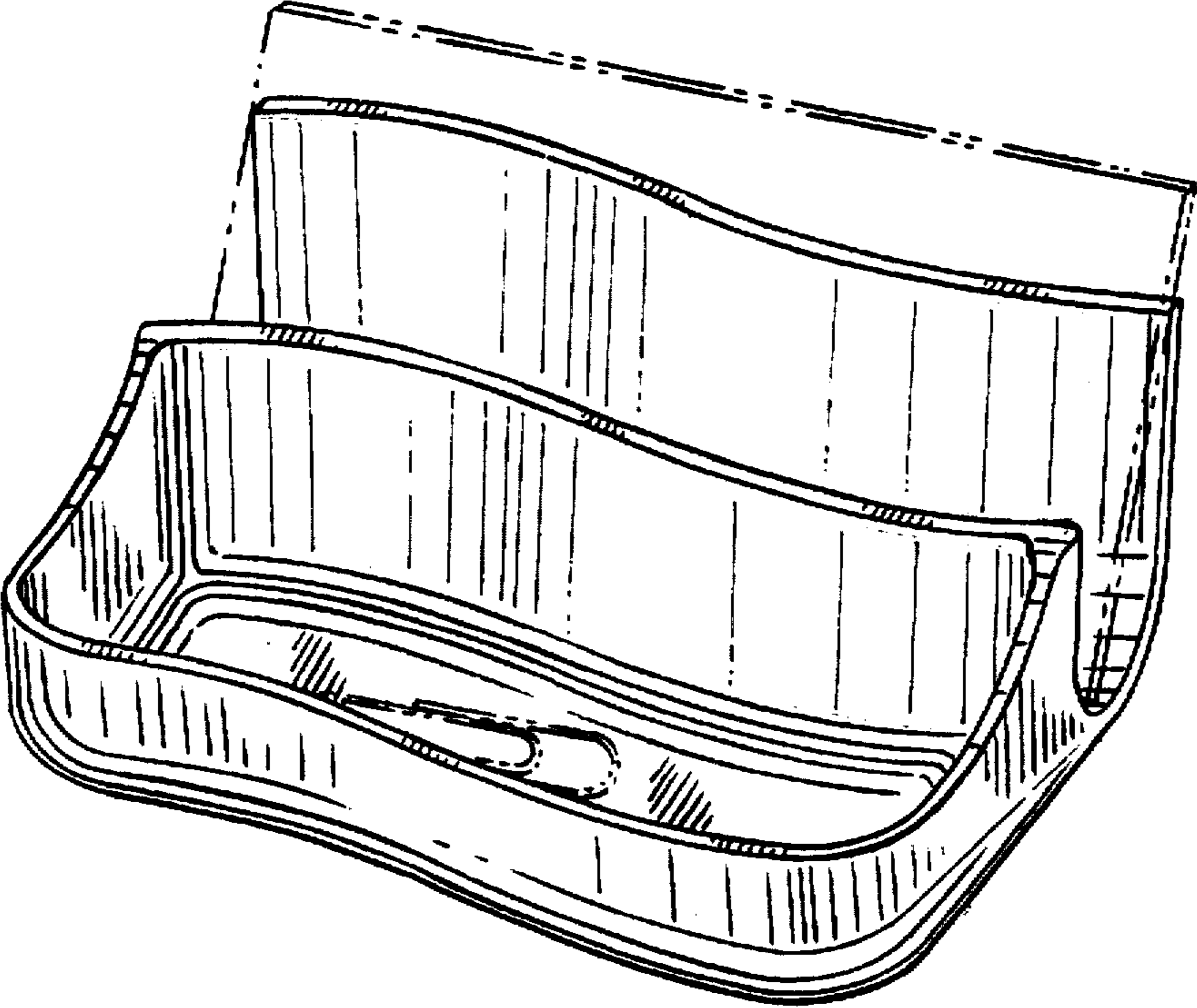


FIG. 2

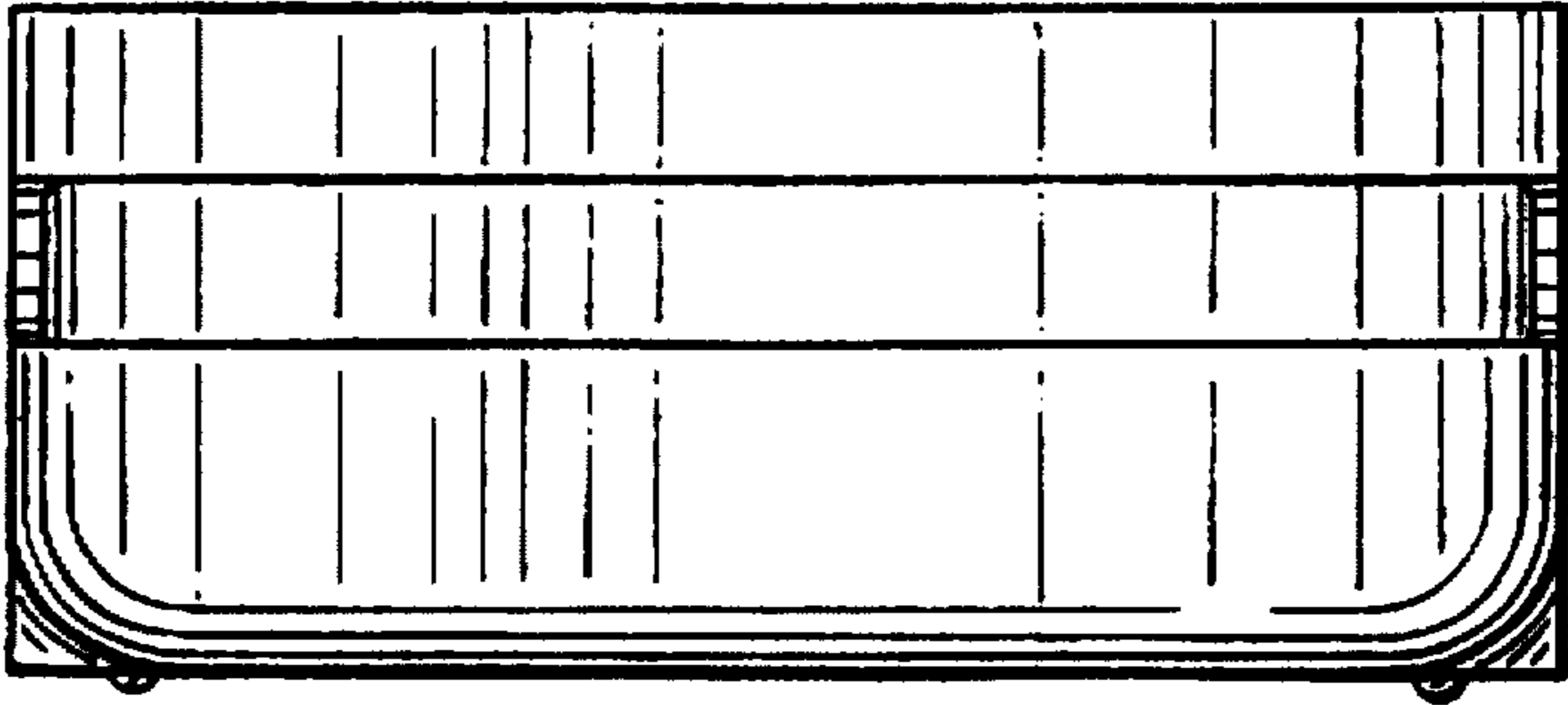


FIG. 3

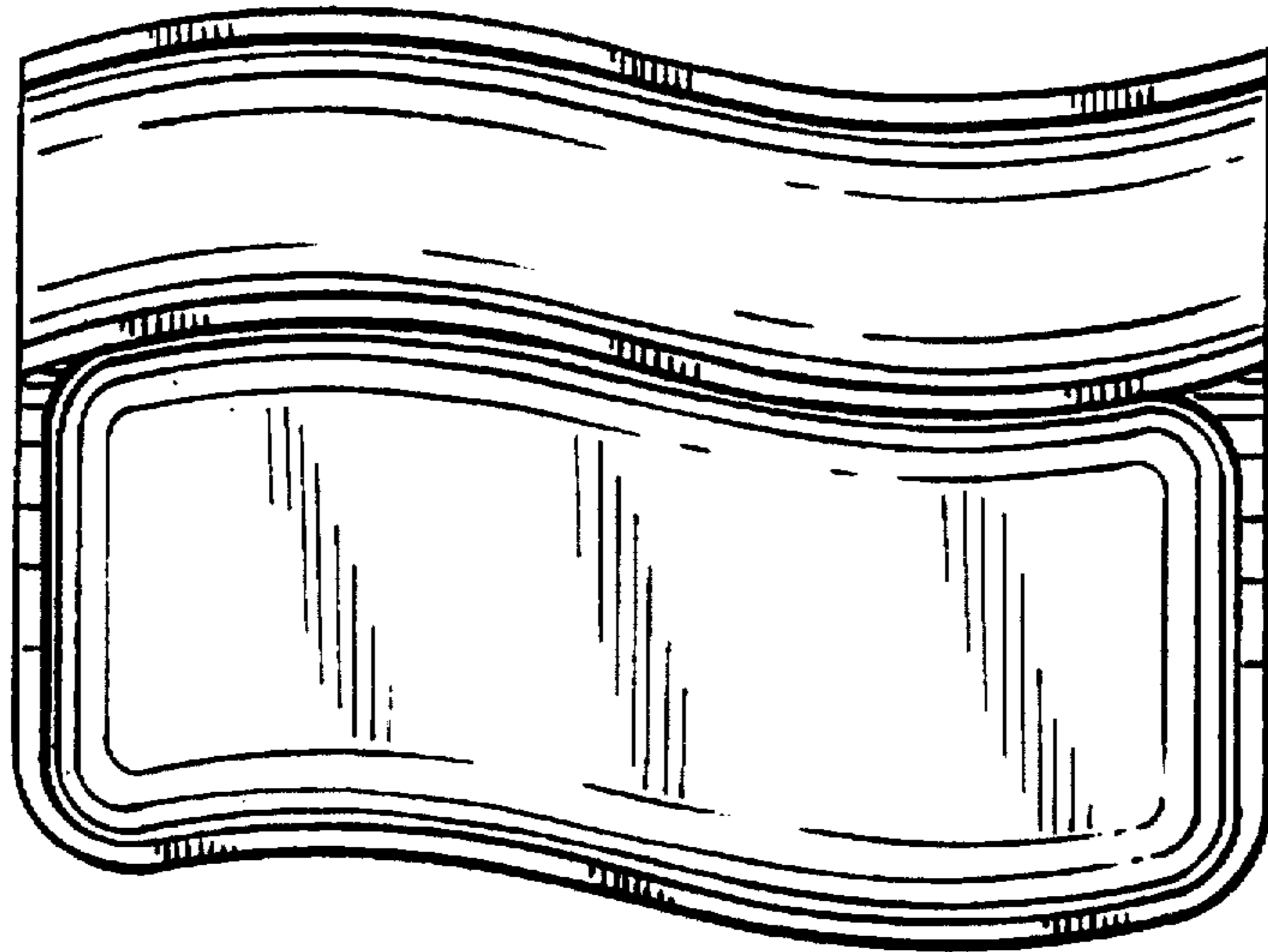


FIG. 4

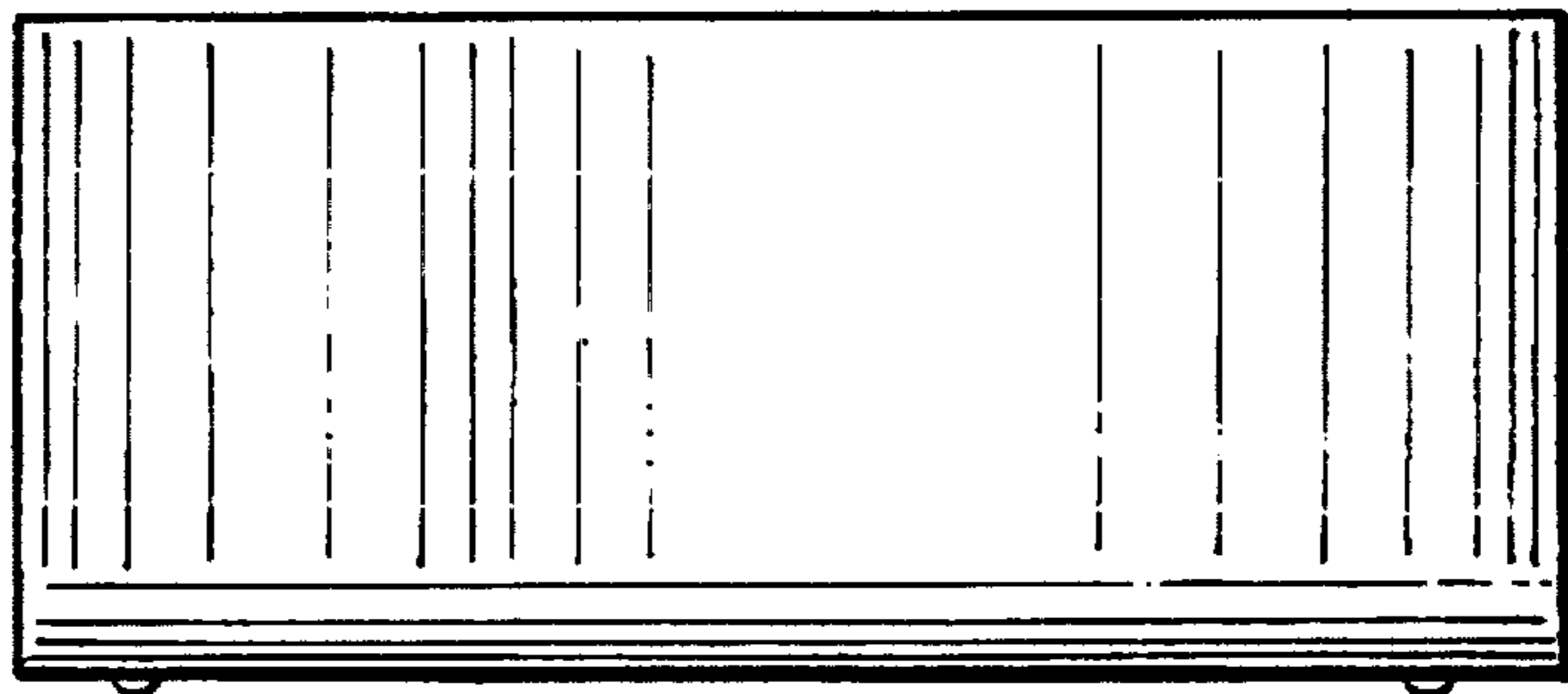


FIG. 5

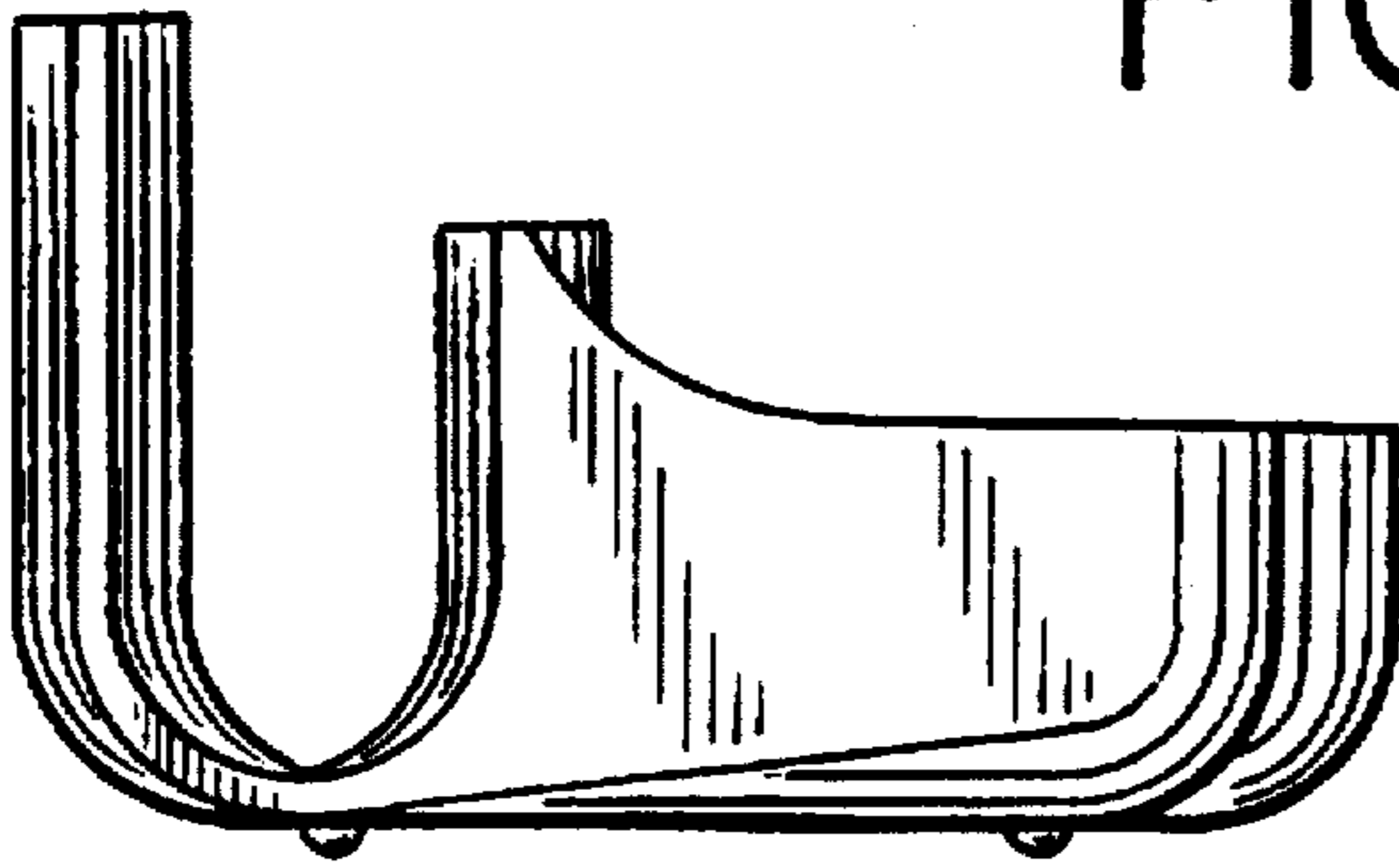


FIG. 6

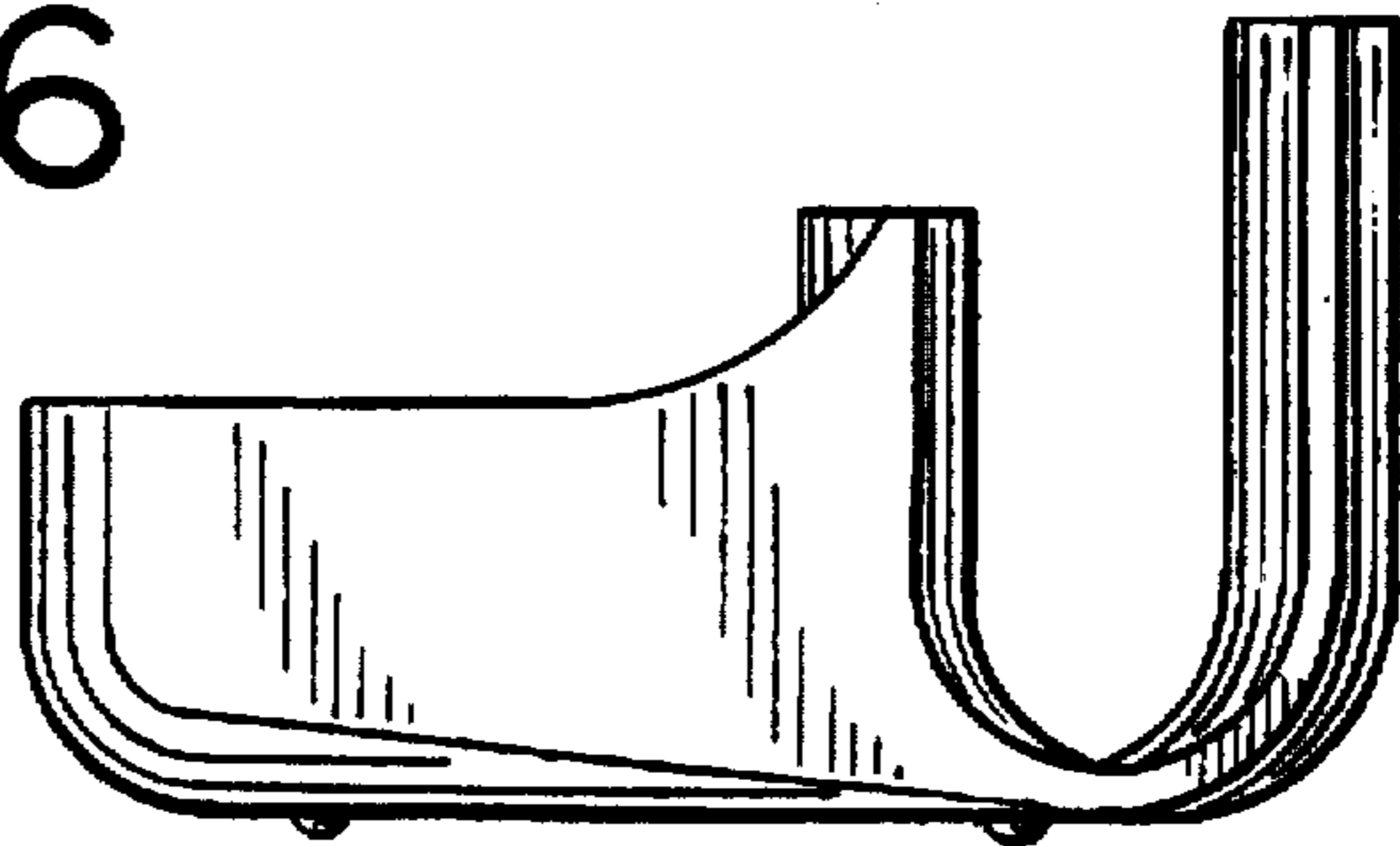


FIG. 7

