



US00D397356S

# United States Patent [19]

Wen et al.

[11] Patent Number: **Des. 397,356**

[45] Date of Patent: **\*\*Aug. 25, 1998**

[54] **LIQUID CRYSTAL DISPLAY BOARD**

[75] Inventors: **Ming Wen; Zhang Shen; Chia-Wang Chen; Dai-Shui Ho**, all of Taipei, Taiwan

[73] Assignee: **Inventec Corporation**, Taiwan

[\*\*] Term: **14 Years**

[21] Appl. No.: **78,054**

[22] Filed: **Oct. 17, 1997**

[51] LOC (6) Cl. .... **18-03**

[52] U.S. Cl. .... **D18/26; D20/10**

[58] Field of Search .... **D18/26, 24-25, D18/27-33; D14/114; D20/10, 11, 12; 40/446, 447, 448, 449-455**

3,837,102	9/1974	Golay .....	40/450
3,945,001	3/1976	Shimakawa .....	40/451
5,216,709	6/1993	Wen et al. ....	379/354
5,566,482	10/1996	Smith .....	40/450

*Primary Examiner*—Louis S. Zarfes  
*Assistant Examiner*—G. Albert Andoll  
*Attorney, Agent, or Firm*—Ladas & Parry

## [57] CLAIM

The ornamental design for a liquid crystal display board, as shown and described.

## DESCRIPTION

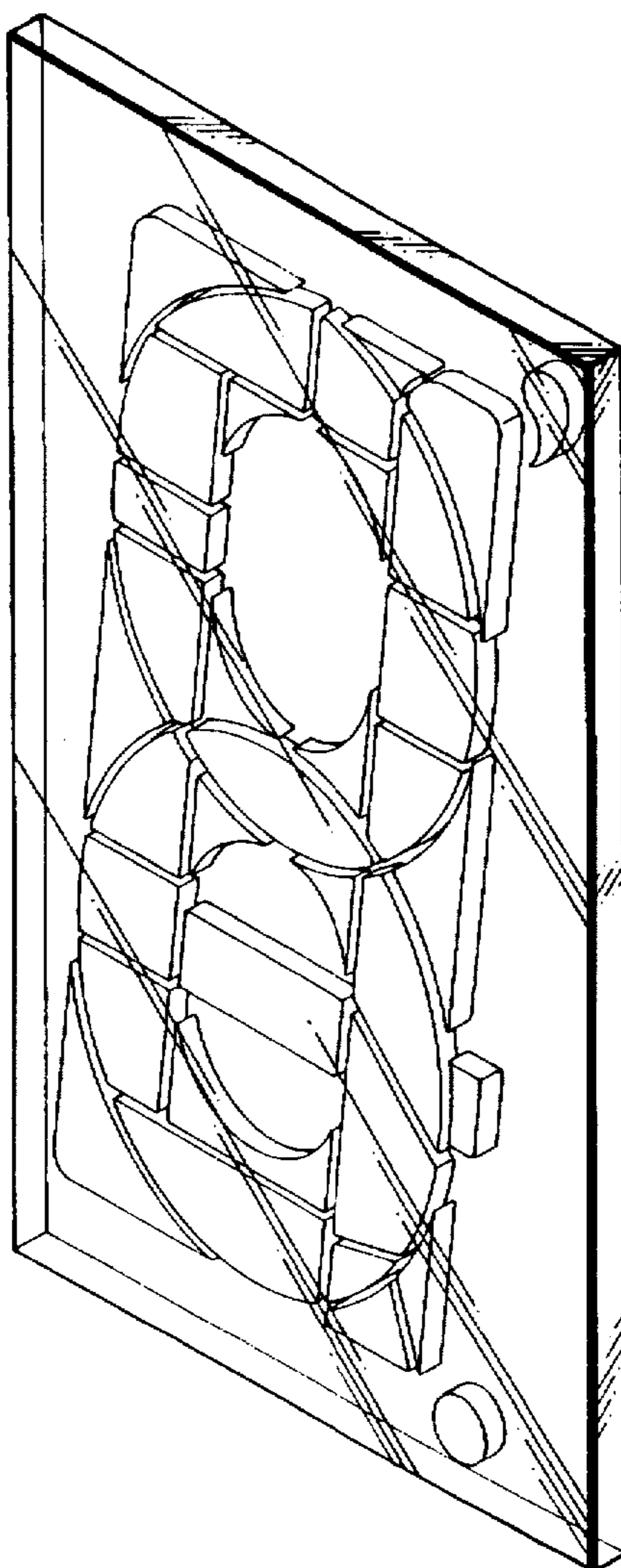
FIG. 1 is a perspective view of a liquid crystal display board showing my new design;  
FIG. 2 is a front elevational view thereof;  
FIG. 3 is a rear elevational view thereof;  
FIG. 4 is a left side elevational view thereof;  
FIG. 5 is a right side elevational view thereof;  
FIG. 6 is a top plan view thereof; and,  
FIG. 7 is a bottom plan view thereof.

## [56] References Cited

### U.S. PATENT DOCUMENTS

D. 297,147	8/1988	Allyn .....	D18/26
D. 368,493	4/1996	Boes et al. ....	D18/26

**1 Claim, 4 Drawing Sheets**



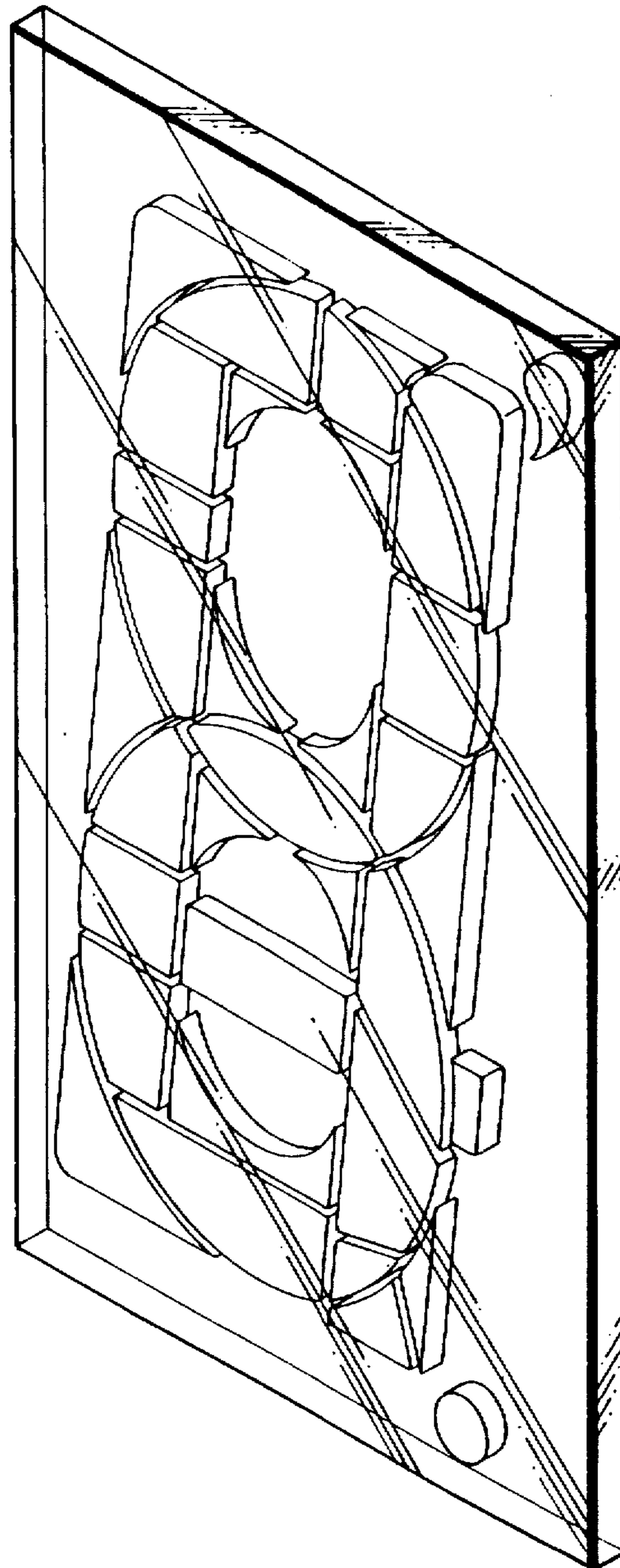


FIG. 1

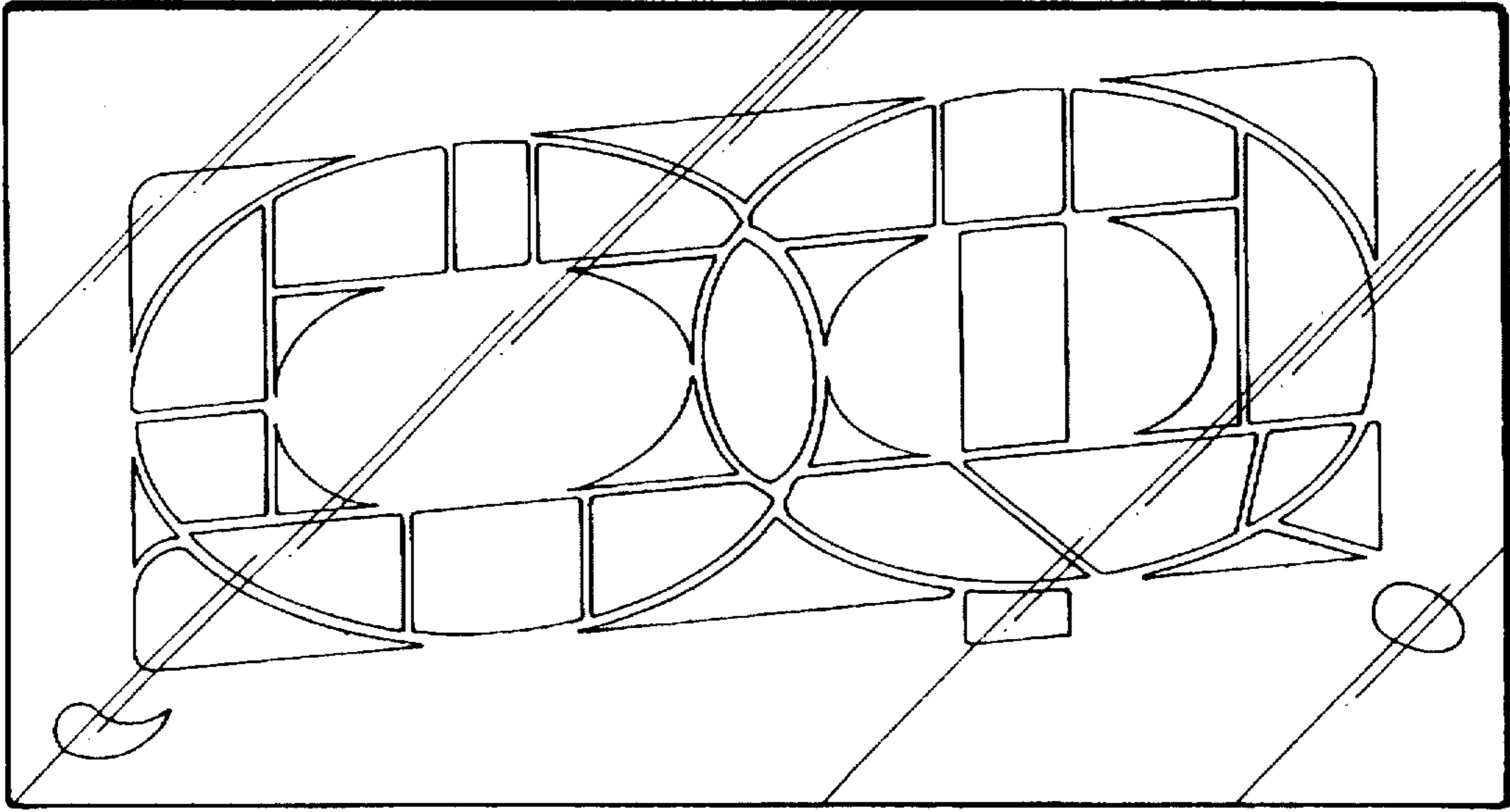


FIG. 3

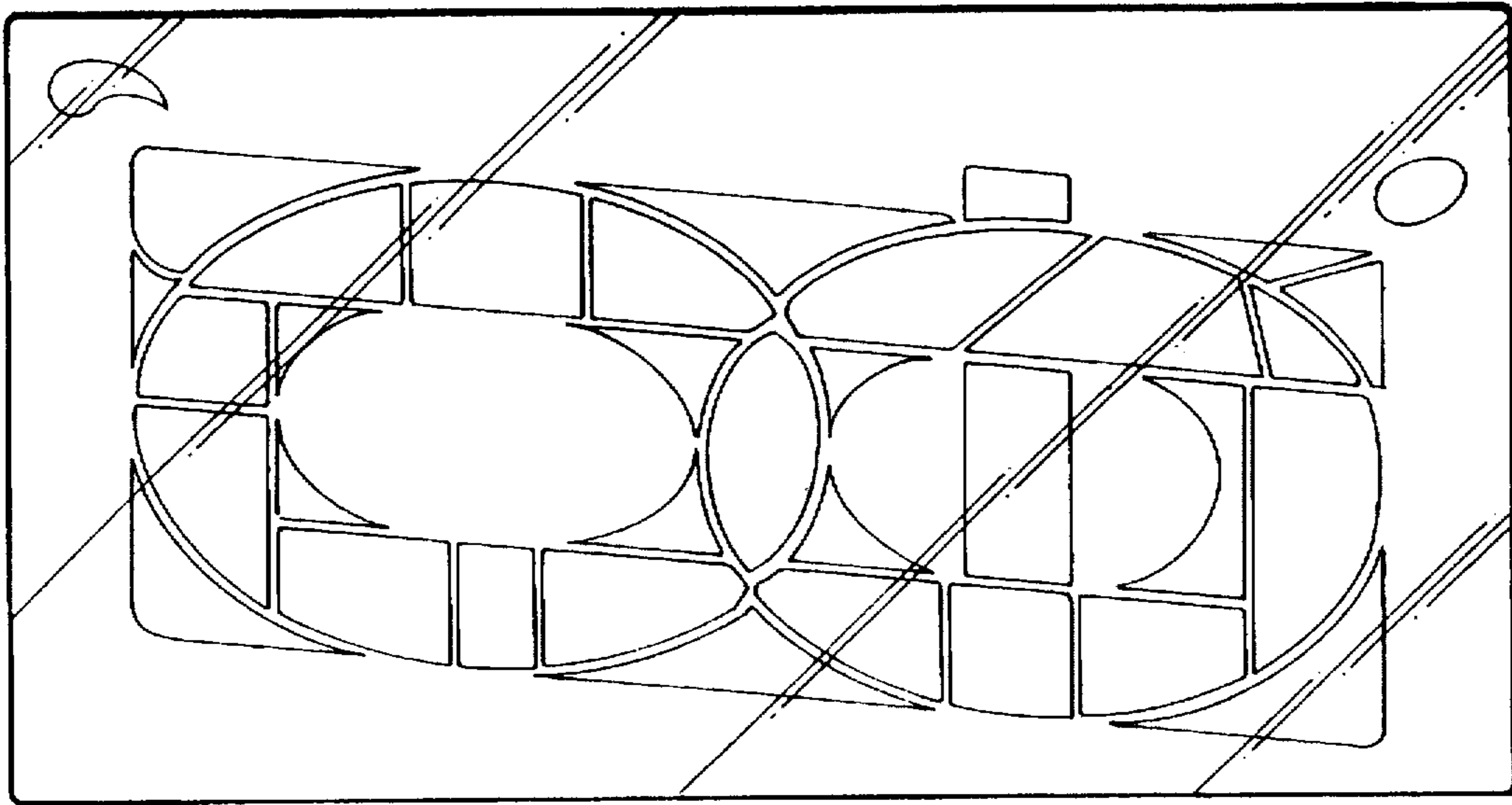


FIG. 2

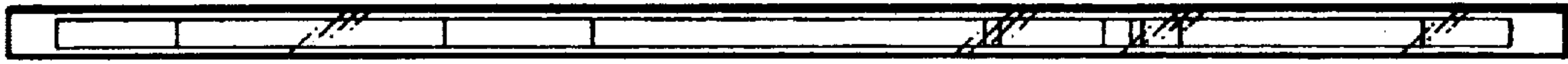


FIG. 4

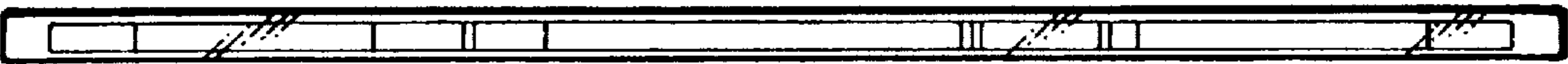


FIG. 5



FIG. 7



FIG. 6