



US00D397341S

United States Patent [19] Brito

[11] Patent Number: **Des. 397,341**
[45] Date of Patent: ****Aug. 25, 1998**

[54] **EAR CUSHION FOR TELEPHONES**

[76] Inventor: **Ronald L. Brito**, P.O. Box 309, San Dimas, Calif. 91773

[**] Term: **14 Years**

[21] Appl. No.: **74,090**

[22] Filed: **Jul. 24, 1997**

D. 358,396 5/1995 Holbeck D14/250
4,570,038 2/1986 Tinelli 379/452
4,905,276 2/1990 Catey et al. 379/447 X

FOREIGN PATENT DOCUMENTS

2674713 A 10/1992 France 379/452
1-108836 4/1989 Japan 379/452

Primary Examiner—Jeffrey Asch
Attorney, Agent, or Firm—Christie, Parker & Hale, LLP

Related U.S. Application Data

[62] Division of Ser. No. 51,430, Nov. 3, 1996, Pat. No. Des. 386,765.

[51] **LOC (6) Cl.** **14-03**

[52] **U.S. Cl.** **D14/749; D14/750**

[58] **Field of Search** D14/137, 138, D14/147-151, 240, 249, 250, 205; 379/419, 420, 428, 451, 452, 447, 441, 433, 443, 439, 437; 455/550, 575, 90, 347

[56] **References Cited**

U.S. PATENT DOCUMENTS

- D. 210,949 5/1968 Ratner D14/240
- D. 311,401 10/1990 Catey et al. D14/250
- D. 317,009 5/1991 Stevenson D14/249
- D. 320,798 10/1991 Holt D14/151 X
- D. 320,799 10/1991 Holt D14/249
- D. 328,077 7/1992 Gradl D14/250
- D. 328,301 7/1992 Brito D14/250
- D. 334,196 3/1993 Saggerman D14/249

[57] **CLAIM**

The ornamental design for ear cushion for telephones, as shown and described.

DESCRIPTION

FIG. 1 is a top plan view of an ear cushion for telephones showing my new design;
FIG. 2 is a cross-section view of the cushion as taken along line 2—2 in FIG. 1;
FIG. 3 is an enlarged left side elevation view of the cushion for telephones showing my new design, a portion of a telephone handpiece being shown in broken lines to represent the manner of use of the cushion, a right side elevation view thereof being a mirror image of FIG.3;
FIG. 4 is a front elevation view of the cushion, the bottom being a mirror image of FIG. 4; and,
FIG. 5 is a bottom plan view of the cushion.
The broken line showings of FIG. 3 are for illustrative purposes only and form no part of the claimed design.

1 Claim, 1 Drawing Sheet

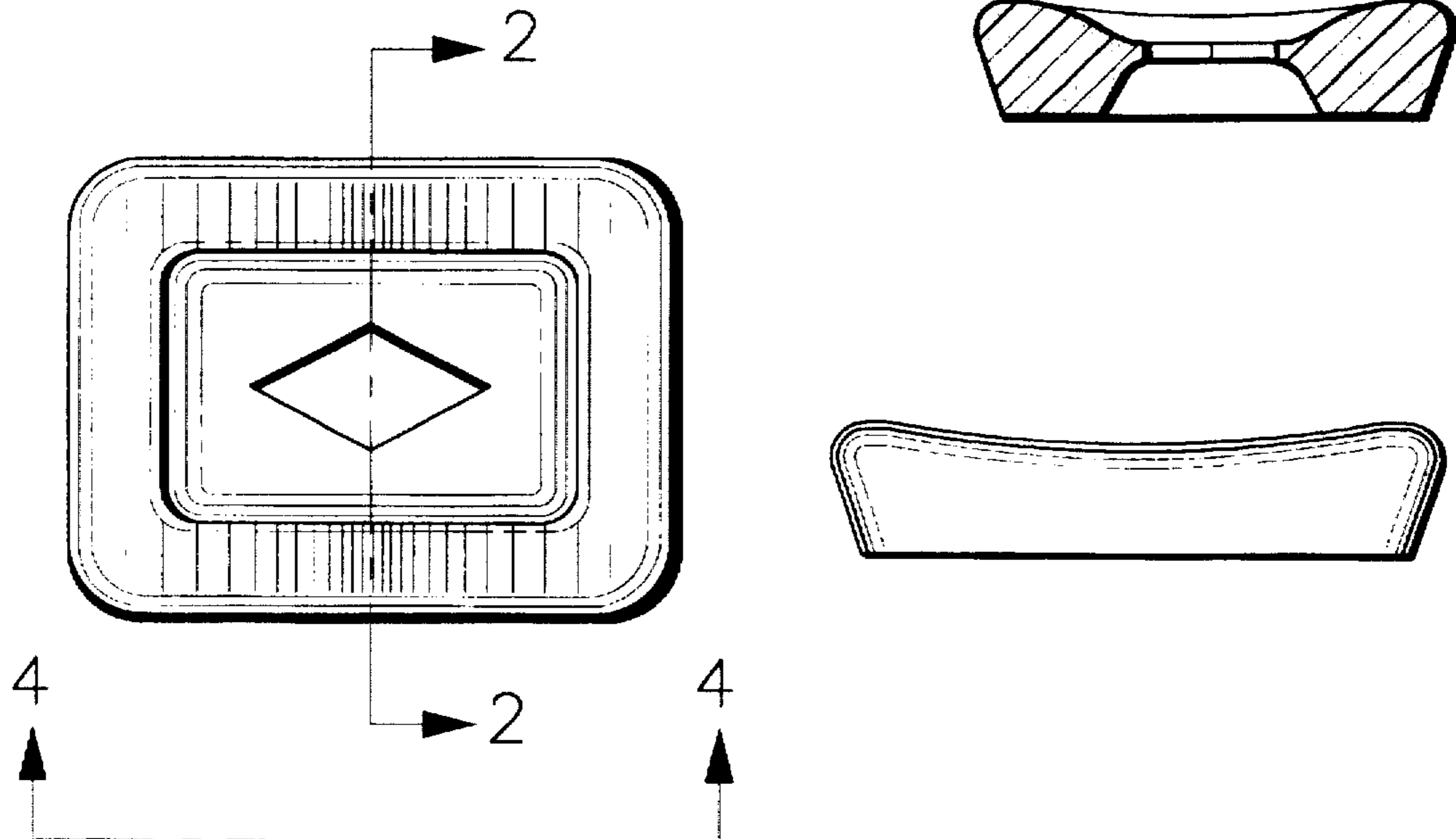


FIG. 1

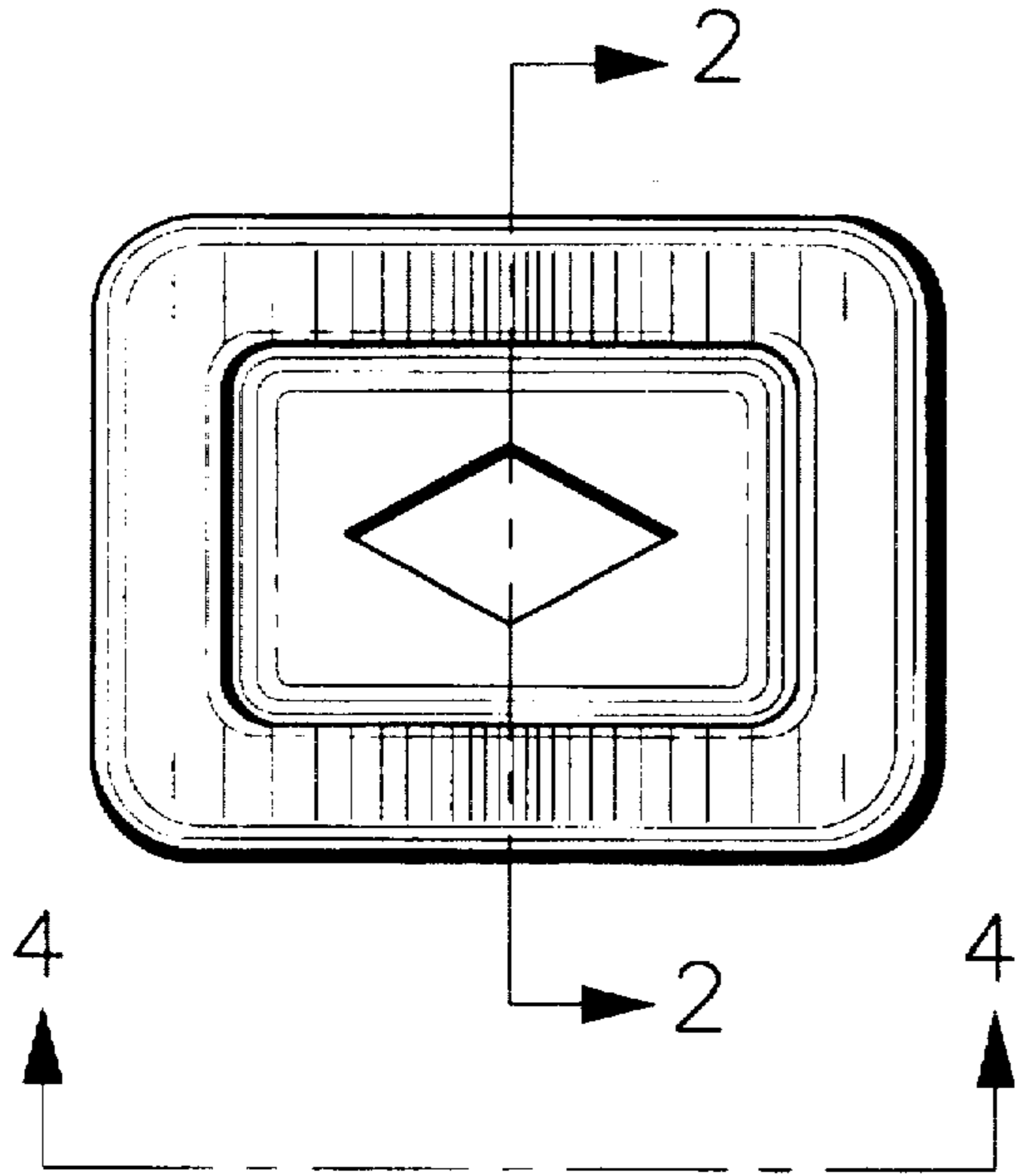


FIG. 2

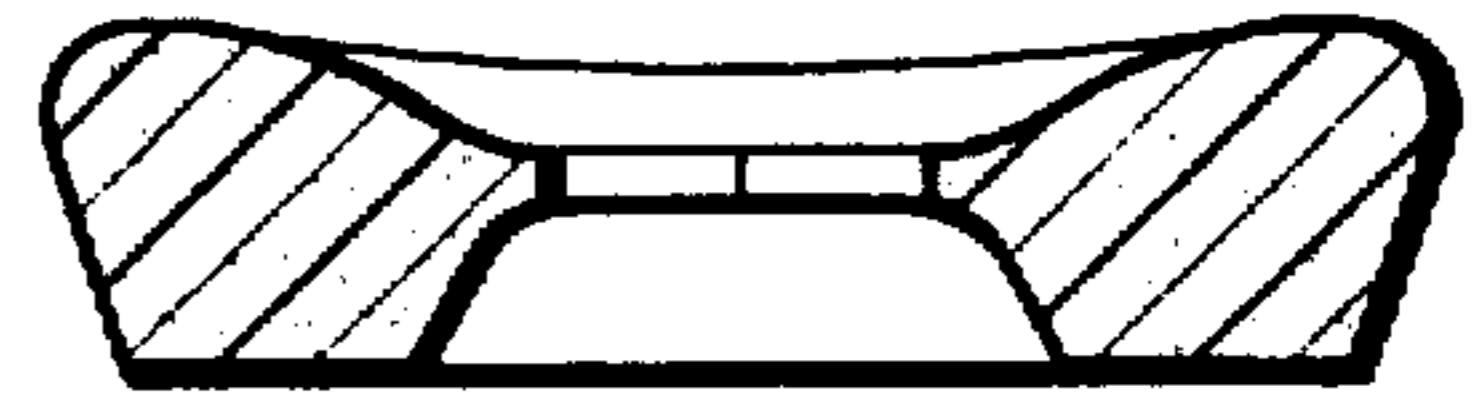


FIG. 3

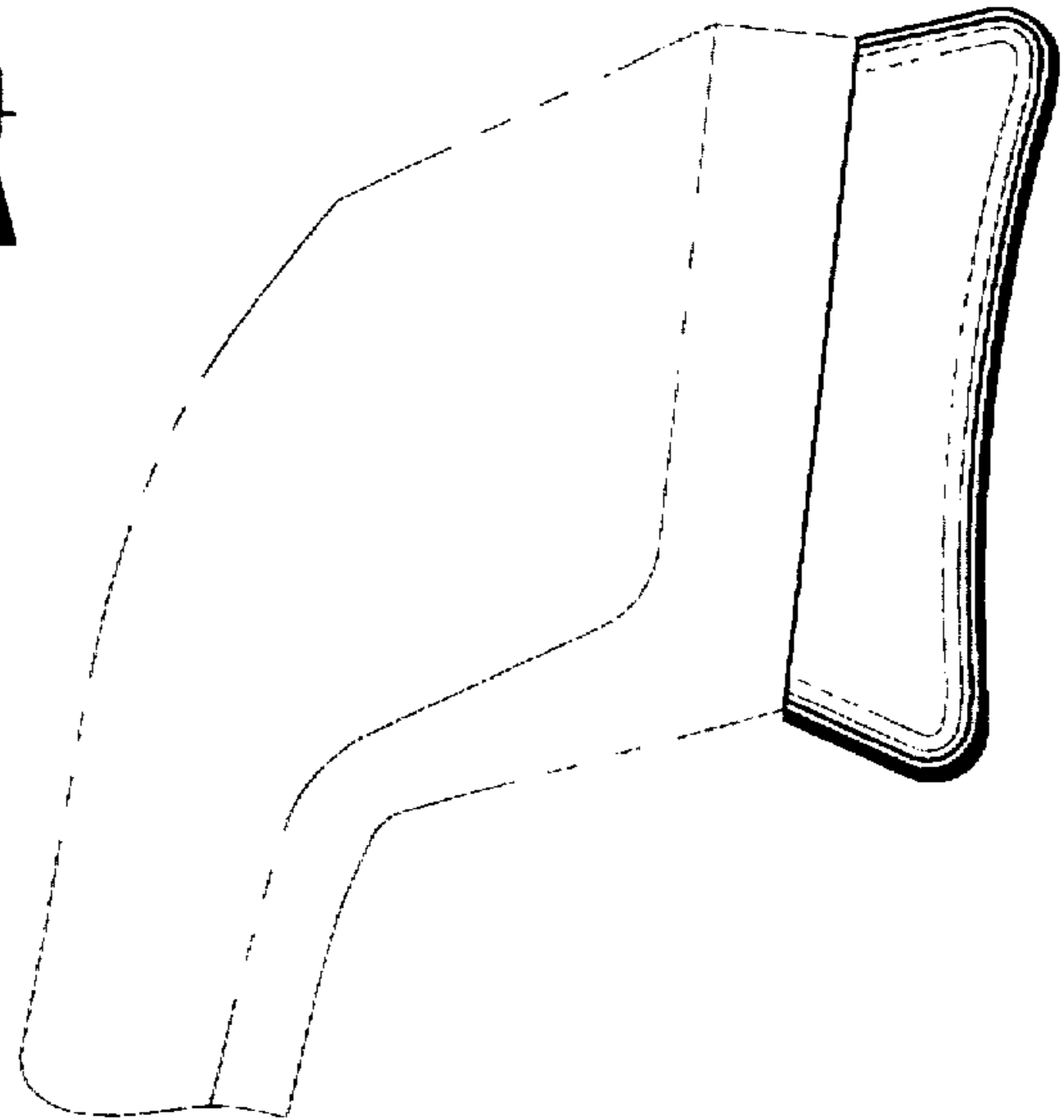


FIG. 4

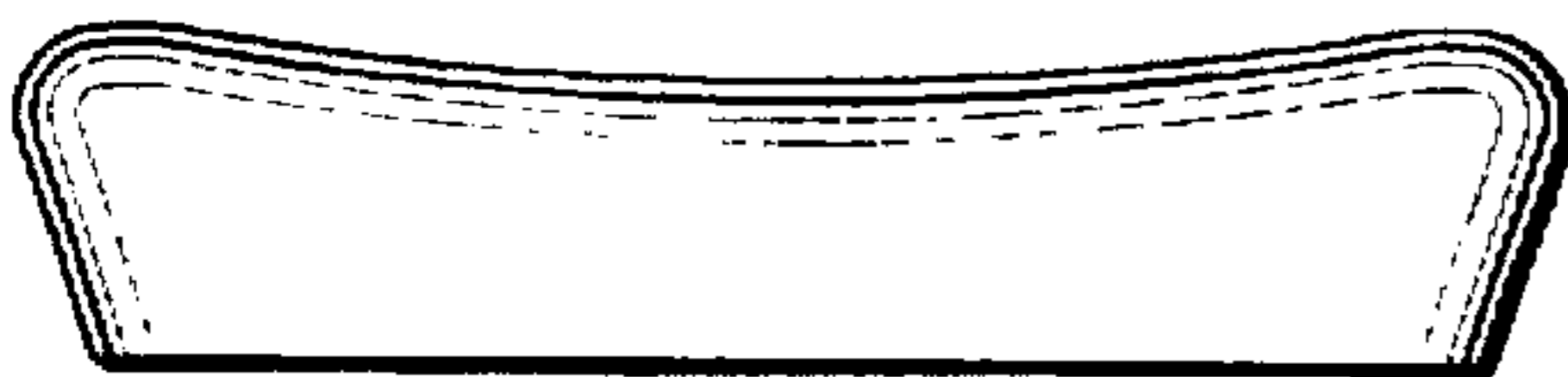
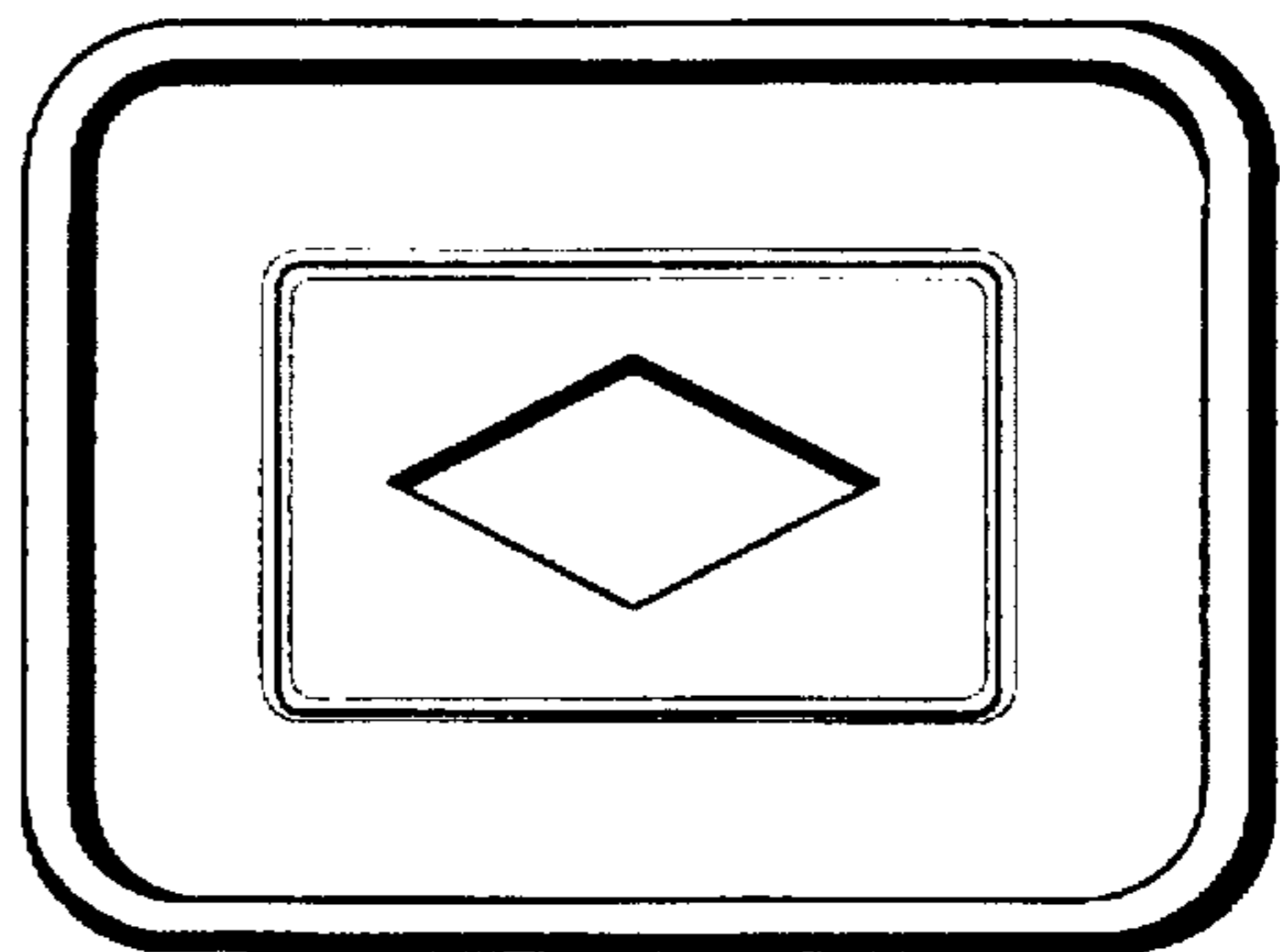


FIG. 5



UNITED STATES PATENT AND TRADEMARK OFFICE
CERTIFICATE OF CORRECTION

PATENT NO. : Des. 397,341
DATED : August 25, 1998
INVENTOR(S) : Ronald L. Brito

It is certified that error appears in the above-identified patent and that said Letters Patent is hereby corrected as shown below:

On the title page,

Item[56]References Cited, U.S. Patent Documents, insert the following references:

-- 5,054,063 10/1991 Lo et al....379/452
5,136,639 8/1992 Brito.....379/452X --.

Signed and Sealed this
Fifteenth Day of June, 1999

Attest:



Q. TODD DICKINSON

Attesting Officer

Acting Commissioner of Patents and Trademarks