



US00D397336S

United States Patent [19]
Woodworth

[11] **Patent Number:** **Des. 397,336**
[45] **Date of Patent:** ****Aug. 25, 1998**

[54] **TELEVISION CASE**

Assistant Examiner—Richelle Shelton

[76] **Inventor:** **Zoanne Woodworth**, 3101 Sugarbush,
Carrollton, Tex. 75007

[57] **CLAIM**

[**] **Term:** **14 Years**

The ornamental design for a television case, as shown and described.

[21] **Appl. No.:** **72,256**

DESCRIPTION

[22] **Filed:** **Jun. 12, 1997**

FIG. 1 is a front elevational view of the television case of the present invention;

[51] **LOC (6) Cl.** **14-03**

FIG. 2 is a back elevational view of the television case of FIG. 1;

[52] **U.S. Cl.** **D14/126; D19/60**

[58] **Field of Search** **D14/113, 124-134;**
D7/539, 613; D9/329; D19/60; 312/7.2;
348/836, 838

FIG. 3 is a left side elevational view of the television case of FIG. 1;

[56] **References Cited**

FIG. 4 is a right side elevational view of the television case of FIG. 1;

U.S. PATENT DOCUMENTS

FIG. 5 is a top plan view of the television case of FIG. 1; and,

D. 195,062	4/1963	Lynd	D9/329
D. 299,992	2/1989	Michel	D7/539
D. 307,268	4/1990	Lee	D14/126
D. 330,710	11/1992	Lee	D14/126

FIG. 6 is a bottom plan view of the television case of FIG. 1.

OTHER PUBLICATIONS

The cord shown in FIGS. 2 and 6 is fragmented for ease of illustration and to indicate indeterminate length.

The Horchow Collection, p. 23, Wicker Apple Box, Jun. 1975.

Primary Examiner—Ted Shooman

1 Claim, 3 Drawing Sheets

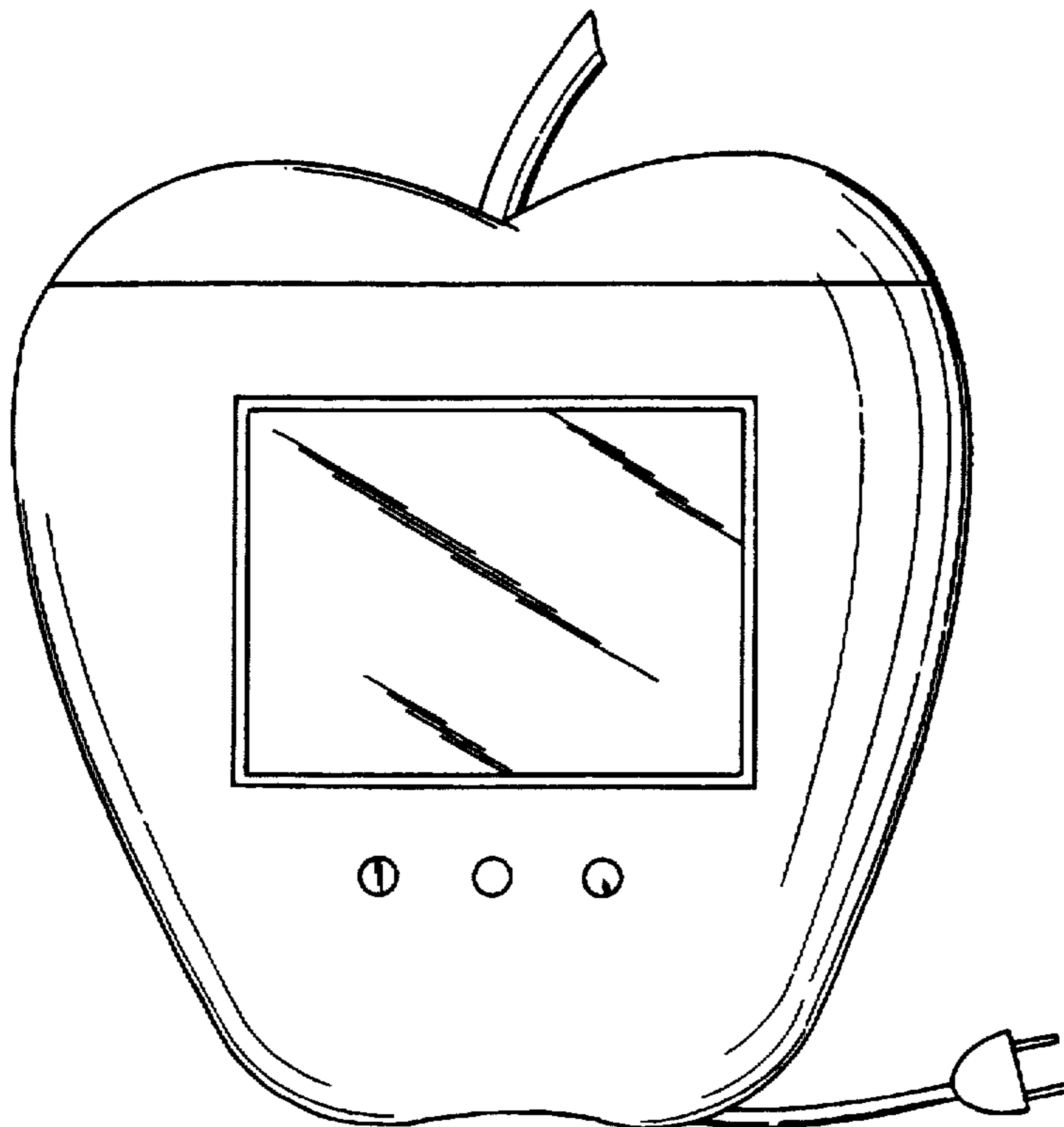


FIG. 2

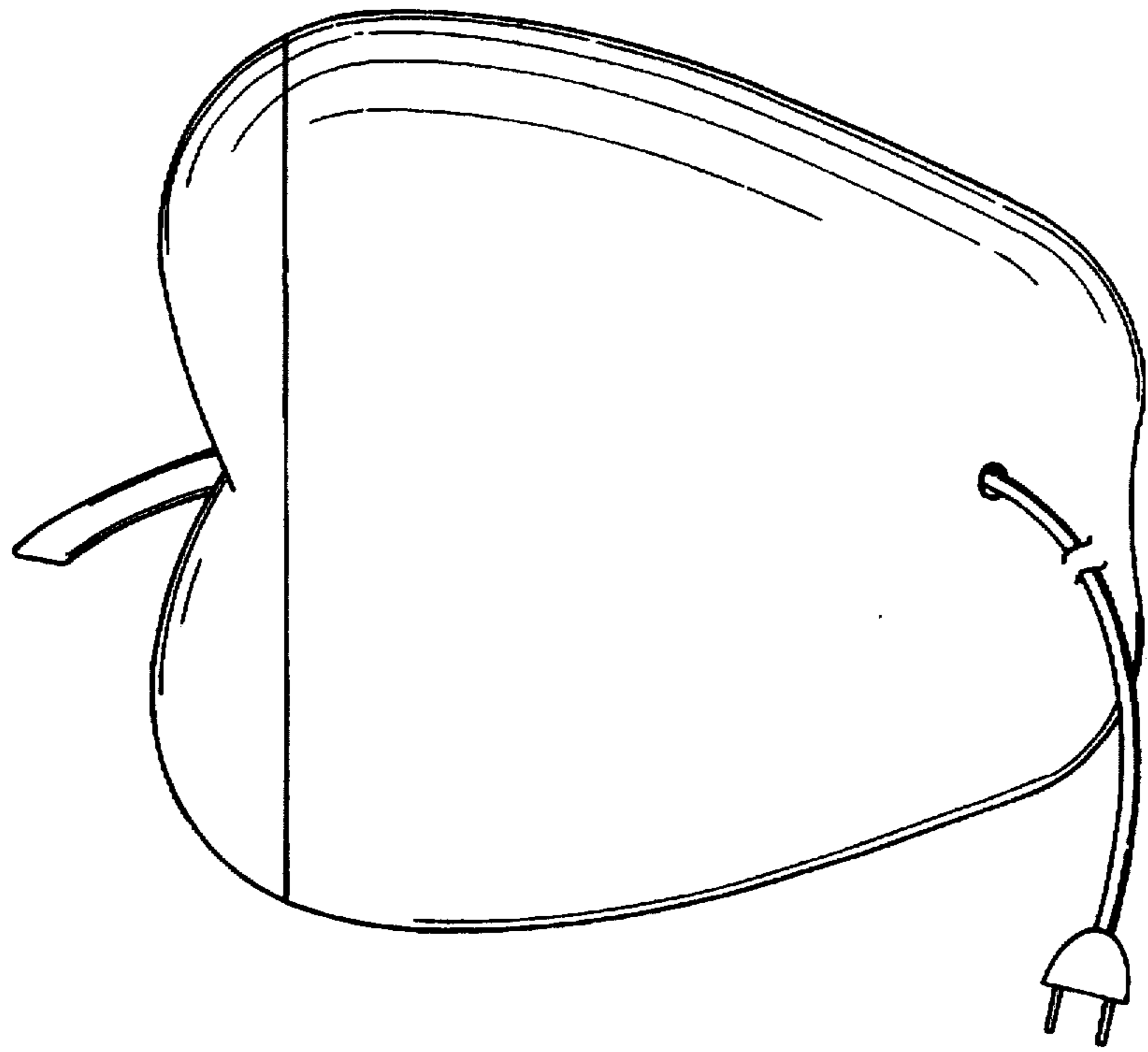


FIG. 1

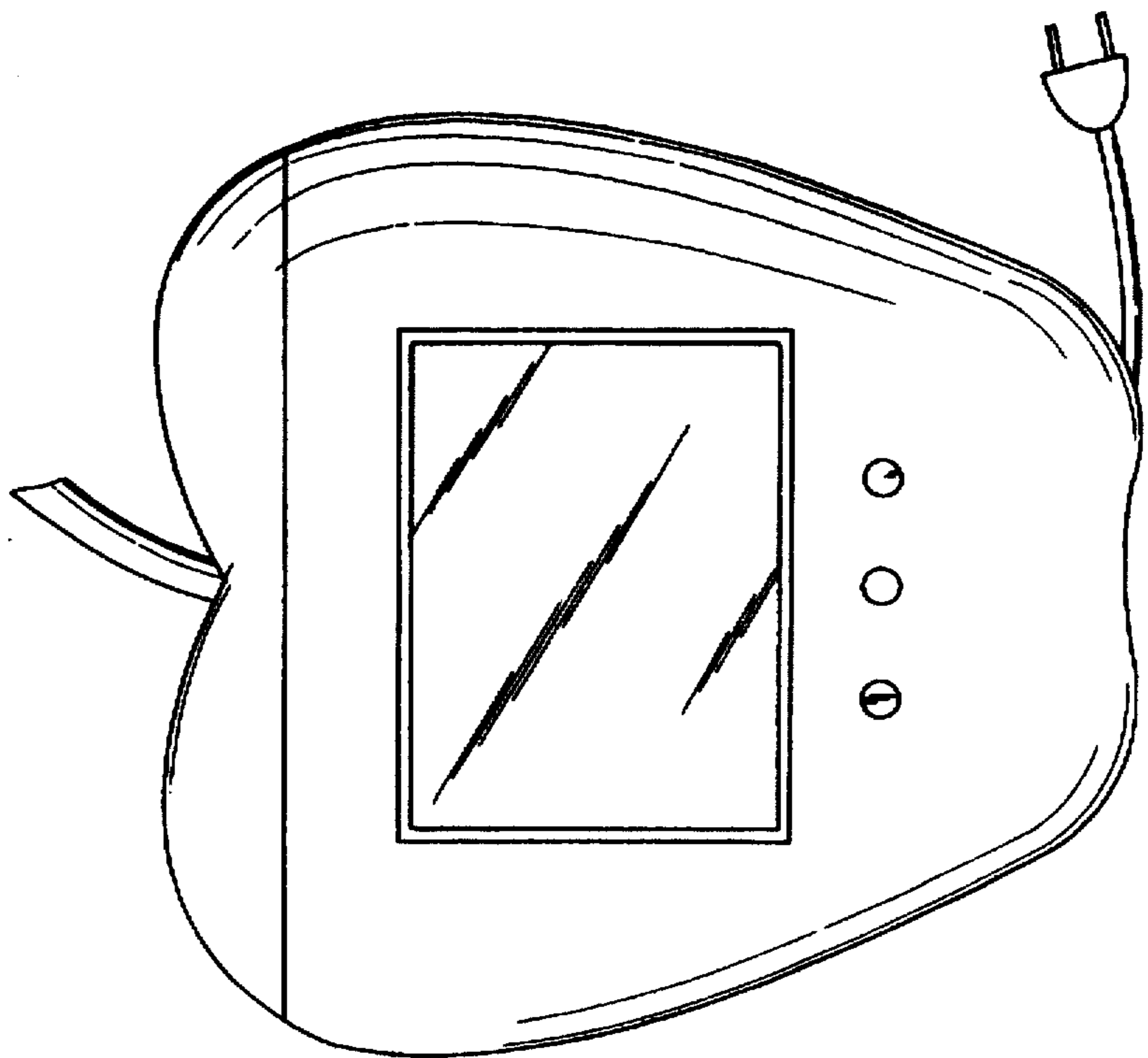


FIG.4

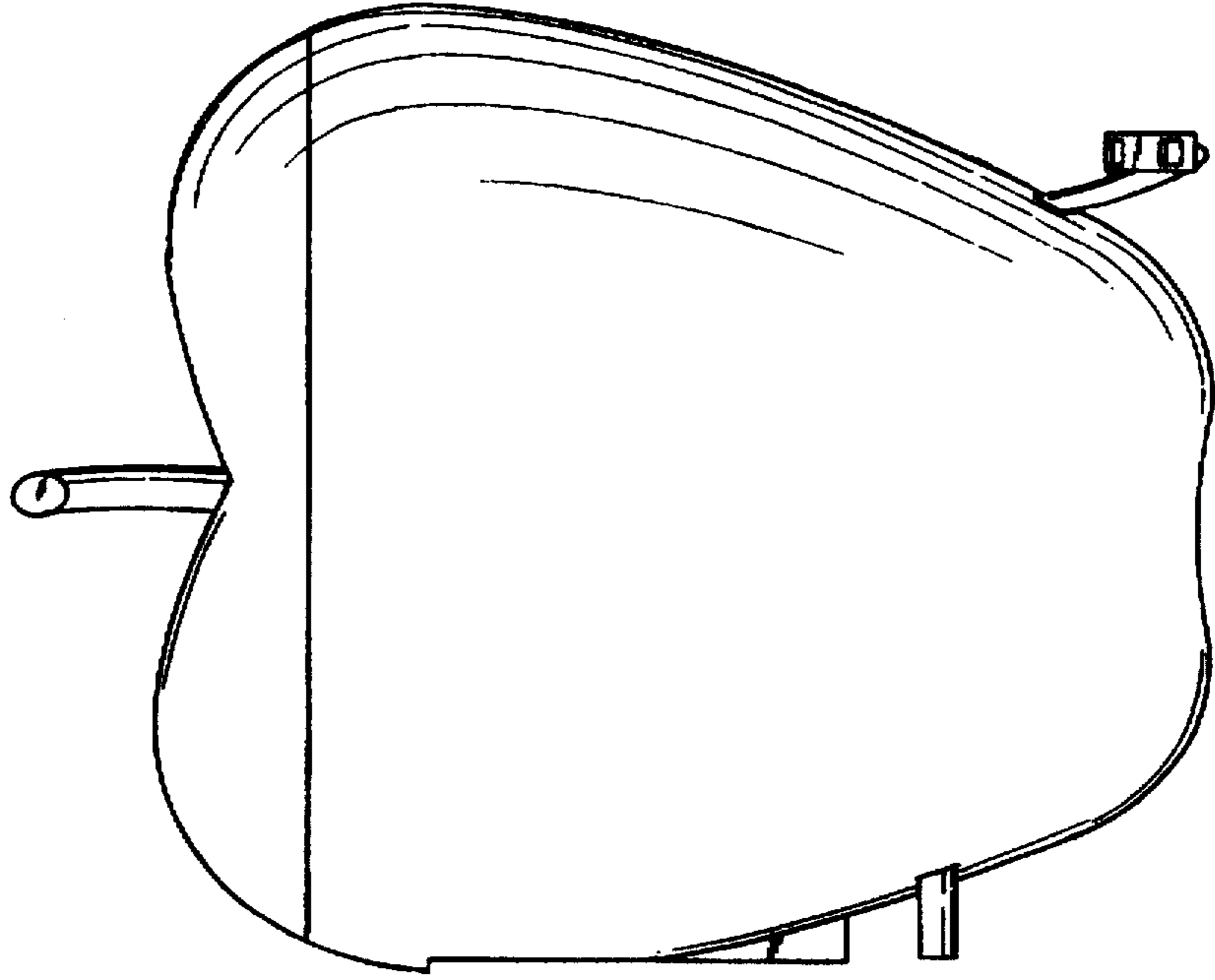


FIG.3

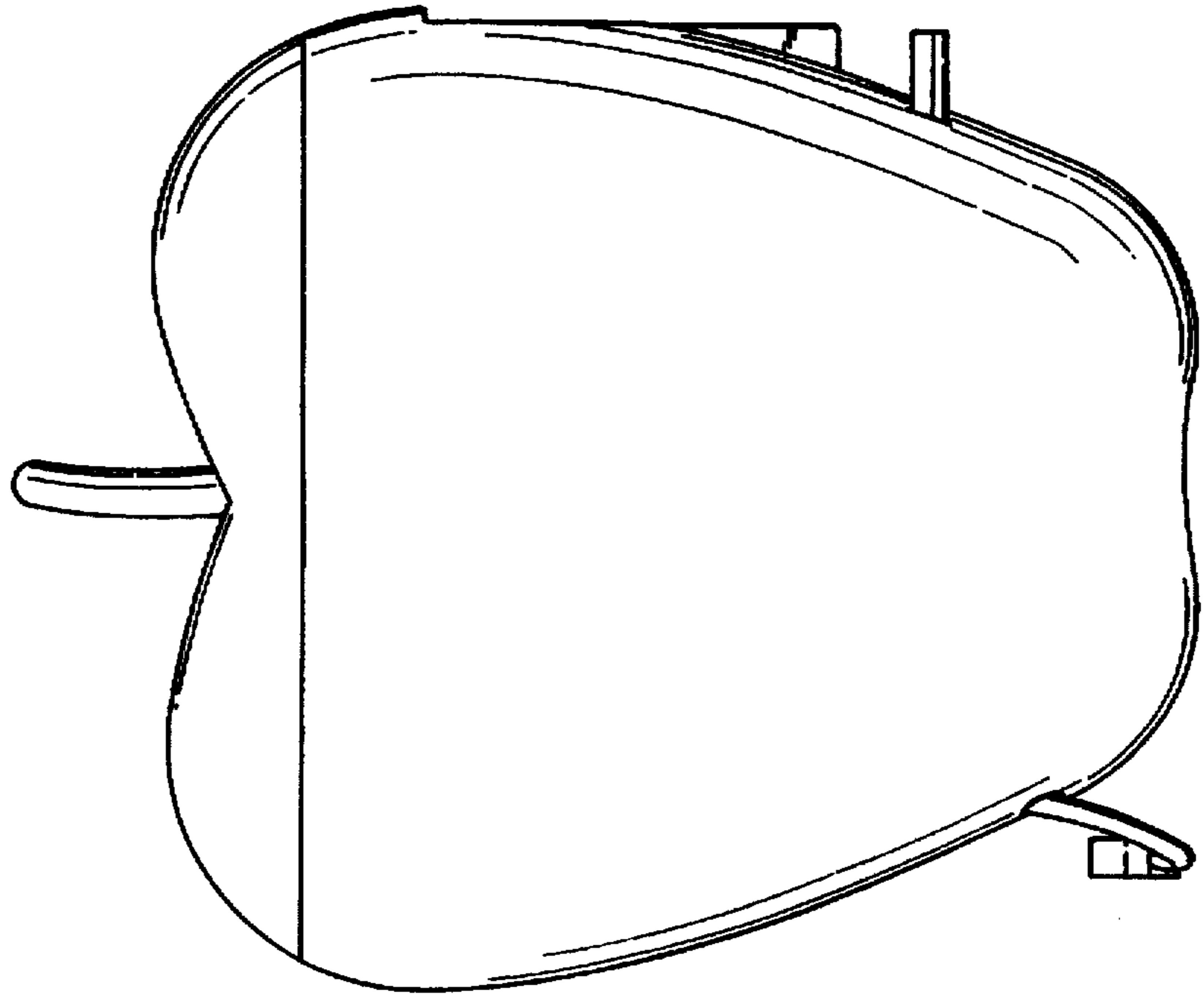


FIG. 6

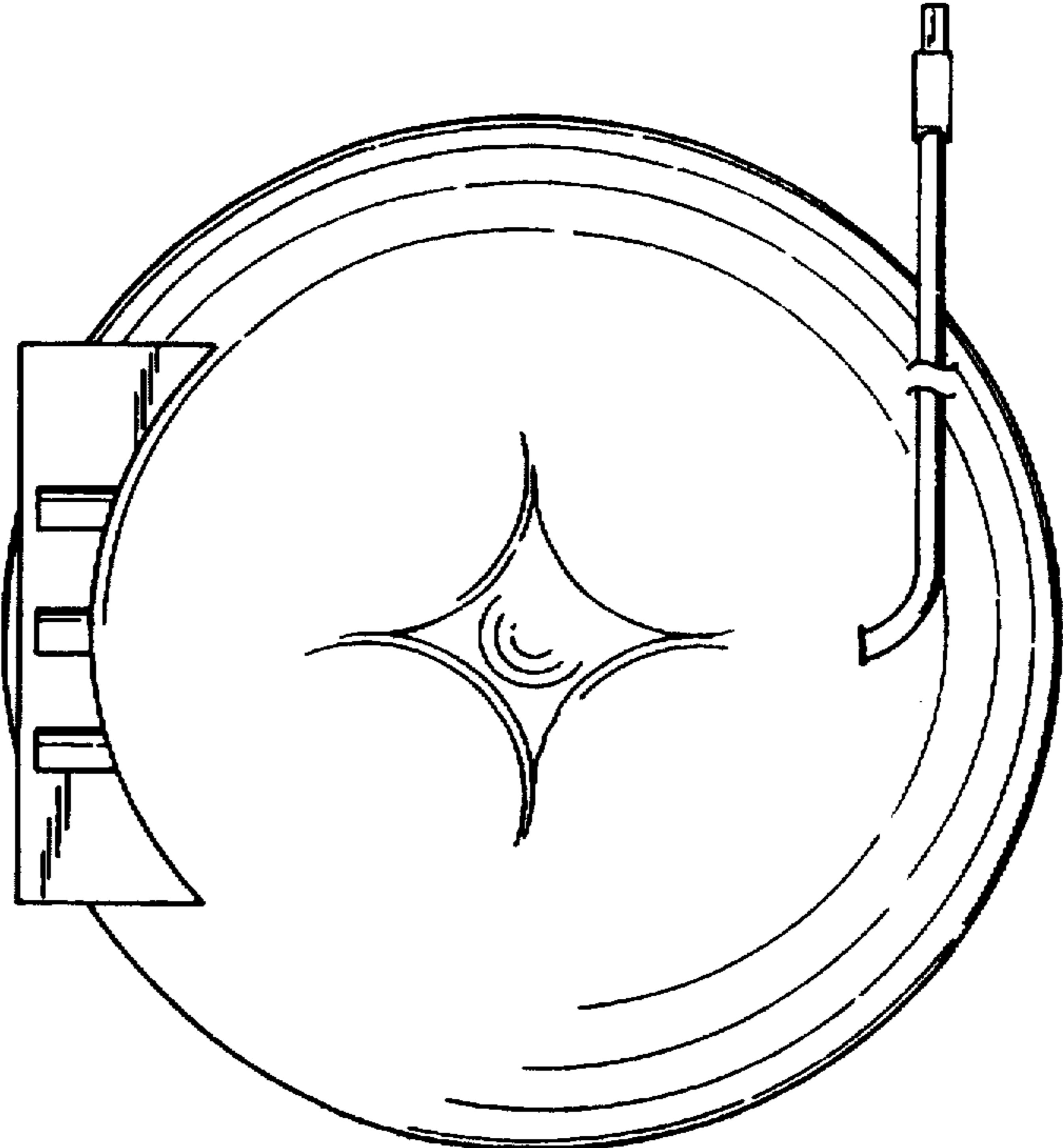


FIG. 5

