



US00D397335S

United States Patent [19]
Matsushita

[11] **Patent Number: Des. 397,335**
[45] **Date of Patent: **Aug. 25, 1998**

[54] **COMBINED MONITOR AND TELEVISION RECEIVER**

D. 324,045 2/1992 Iwama et al. D14/129
D. 384,660 10/1997 Matsushita D14/126

[75] **Inventor: Takeshi Matsushita, Tokyo, Japan**

Primary Examiner—Ted Shooman

Assistant Examiner—Richelle Shelton

[73] **Assignee: Asahi Kogaku Kogyo Kabushiki Kaisha, Tokyo, Japan**

Attorney, Agent, or Firm—Sughrue, Mion, Zinn, Macpeak & Seas, PLLC

[**] **Term: 14 Years**

[57] **CLAIM**

[21] **Appl. No.: 67,338**

The ornamental design for a combined monitor and television receiver, as shown and described.

[22] **Filed: Feb. 26, 1997**

DESCRIPTION

[30] **Foreign Application Priority Data**

Sep. 2, 1996 [JP] Japan 8-26129

FIG. 1 is a perspective view of the top, front and right side of a combined monitor and television receiver showing my new design;

[51] **LOC (6) Cl. 14-03**

FIG. 2 is a front elevational view thereof;

[52] **U.S. Cl. D14/126; D14/132**

FIG. 3 is a top plan view thereof;

[58] **Field of Search D14/113, 124-134;**

FIG. 4 is a bottom plan view thereof;

D21/13; 312/7.2; 348/794, 836, 838

FIG. 5 is a left side elevational view thereof;

FIG. 6 is a right side elevational view thereof;

FIG. 7 is a rear elevational view thereof; and,

[56] **References Cited**

U.S. PATENT DOCUMENTS

D. 303,257 9/1989 Kawata et al. D14/126

D. 311,004 10/1990 Iwama D14/129

D. 324,044 2/1992 Katayama D14/129

FIG. 8 is a perspective view of the front, bottom and left side thereof with the viewing screen pivoted to a raised position.

1 Claim, 2 Drawing Sheets

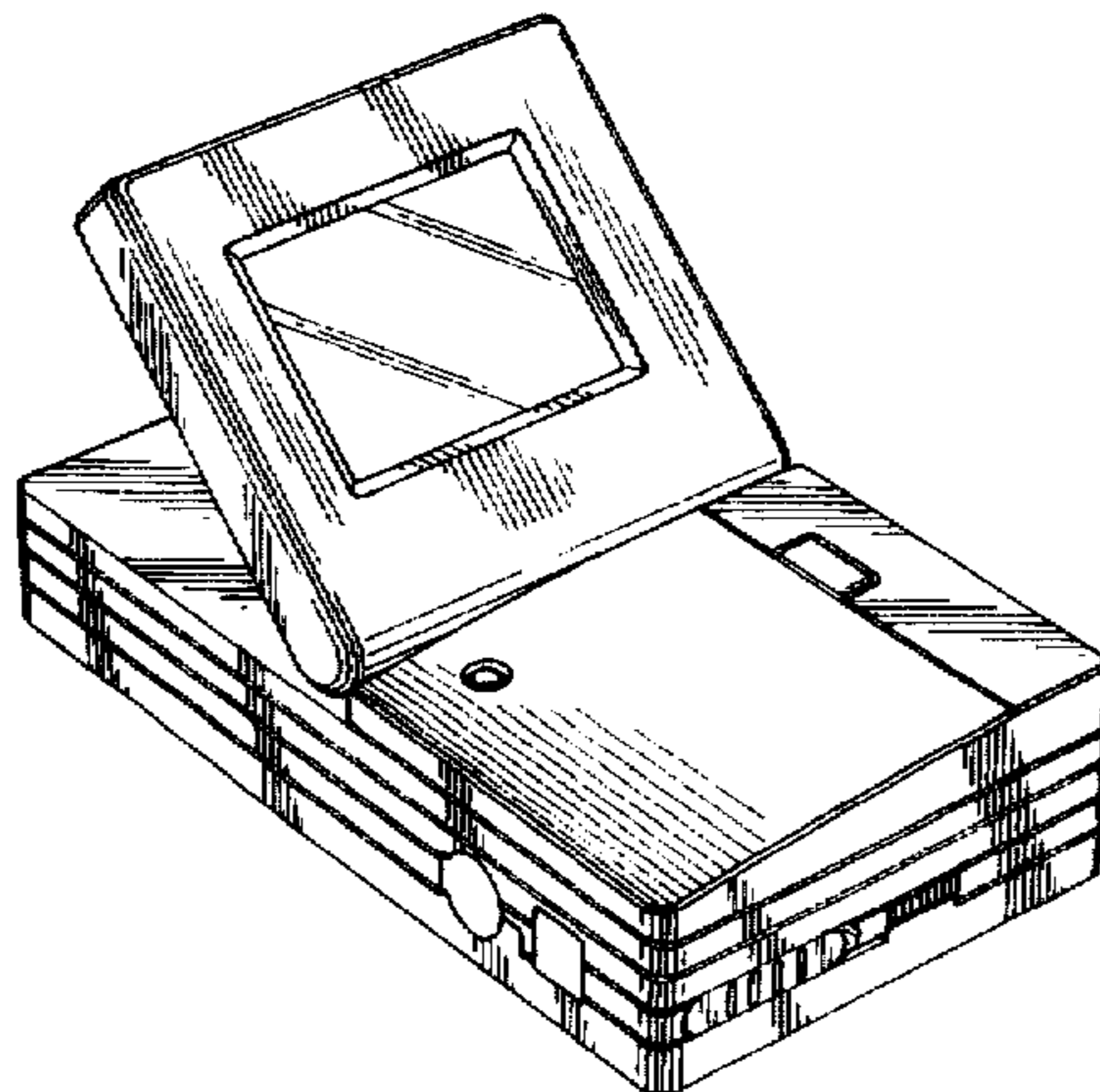
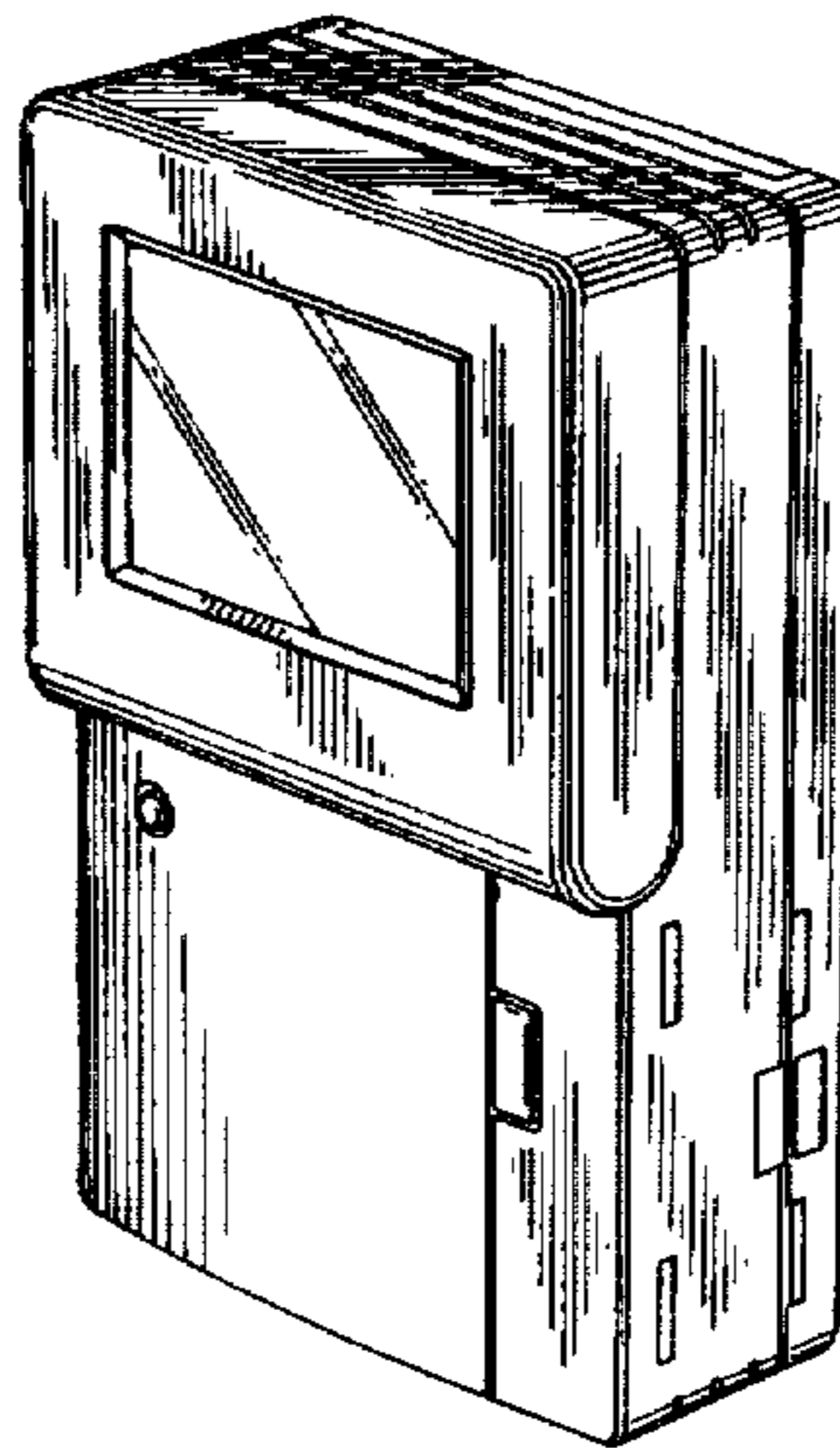


FIG. 1

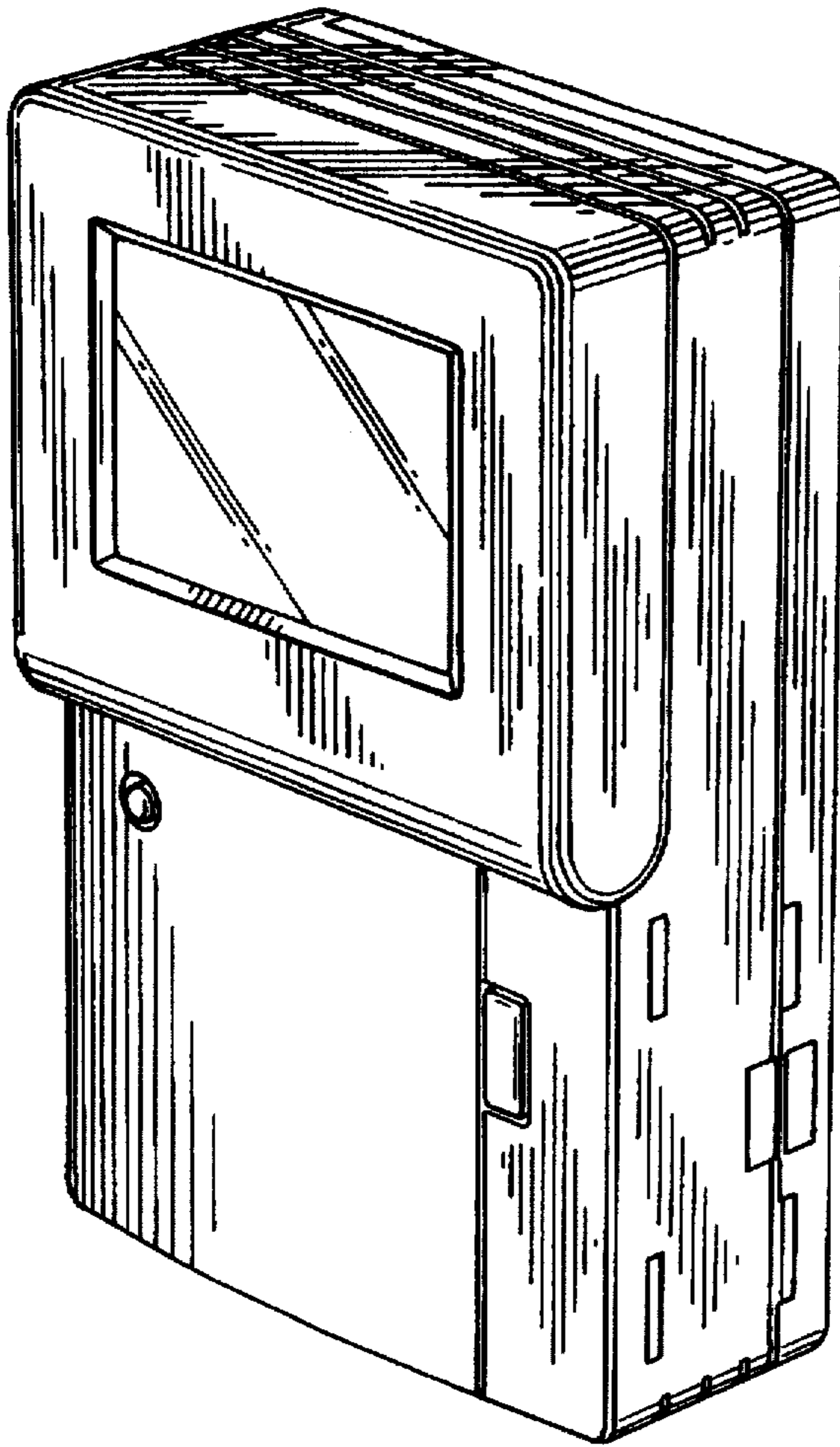


FIG. 2

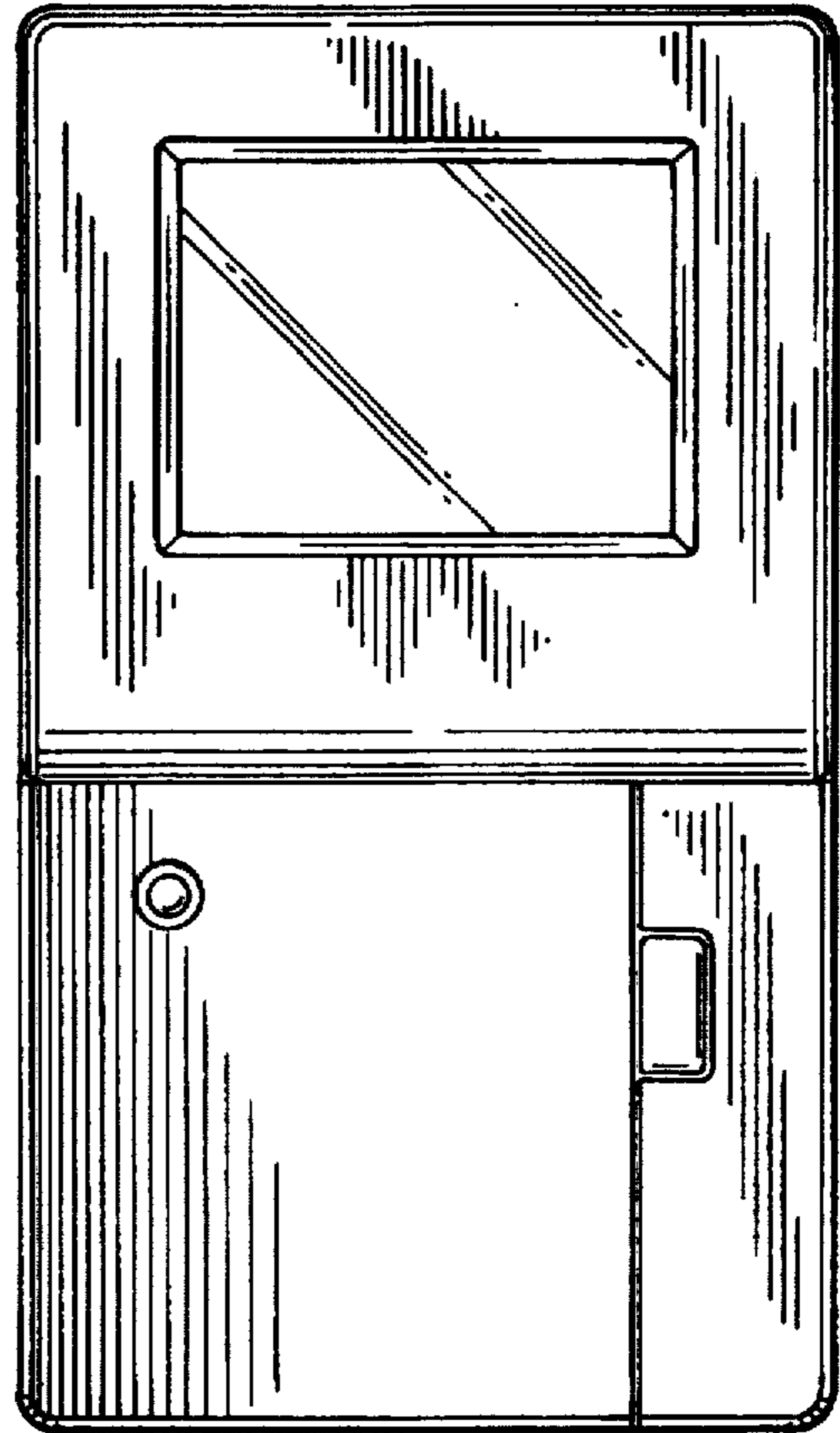


FIG. 3

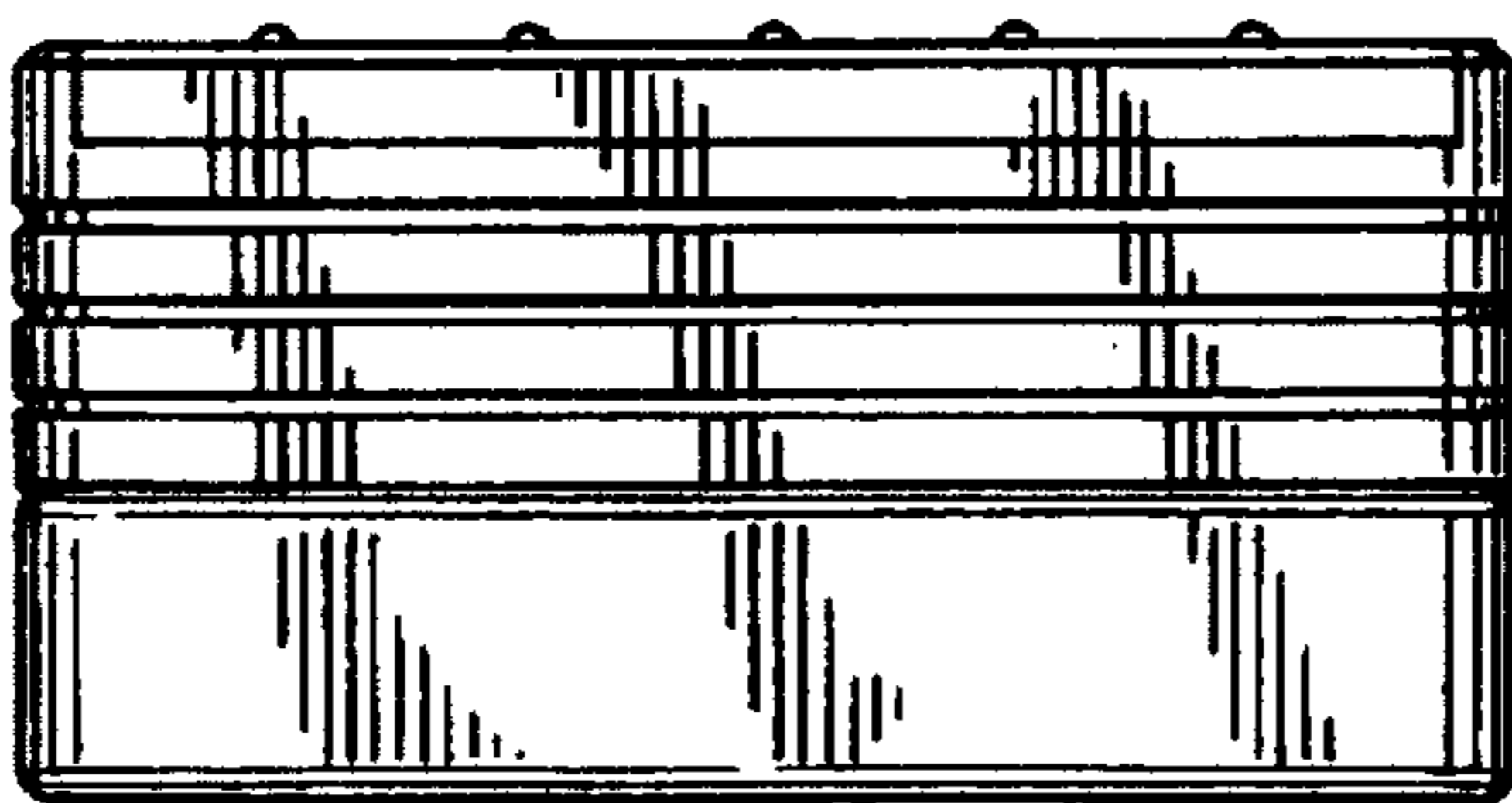


FIG. 4

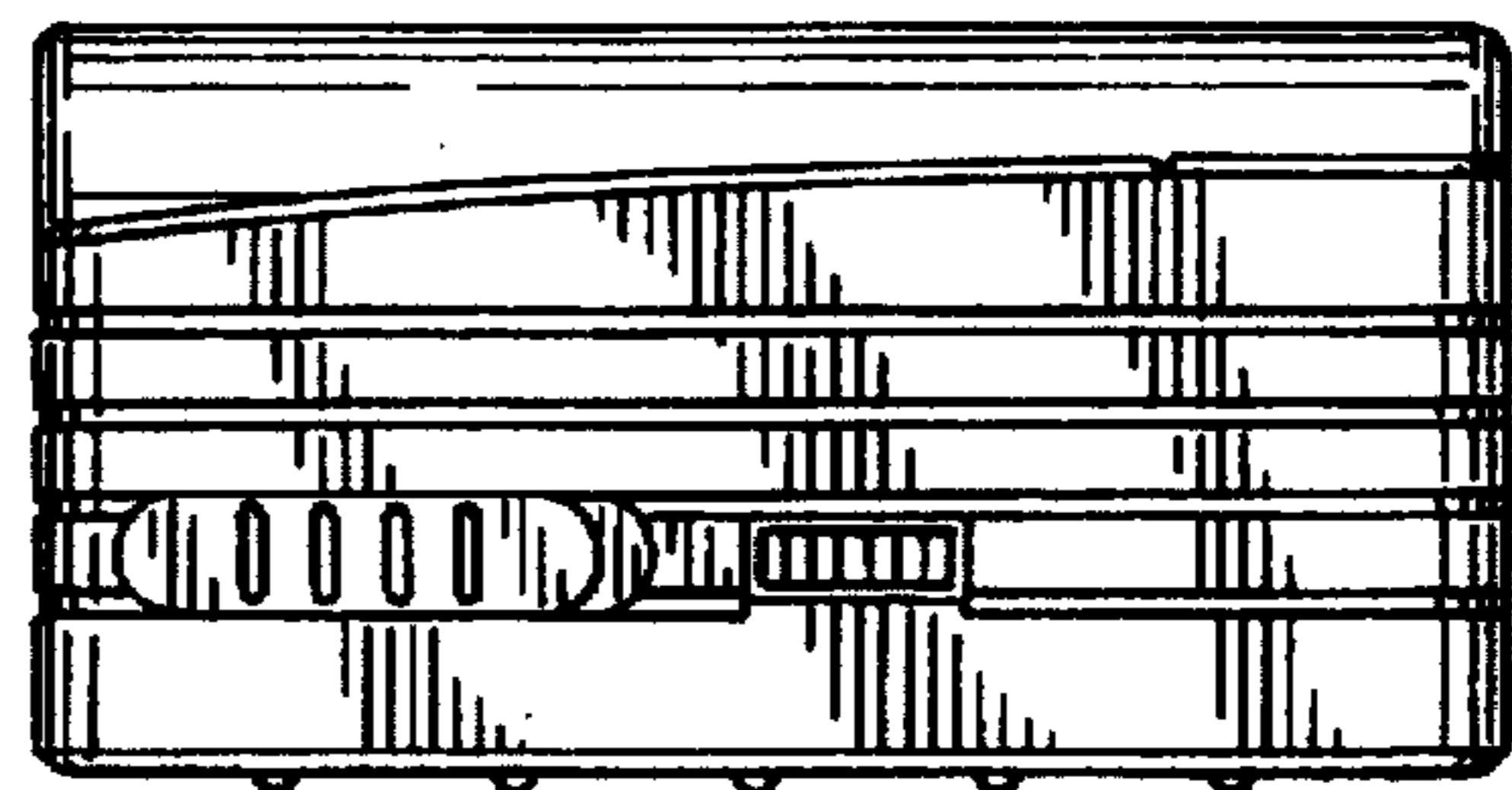


FIG. 5

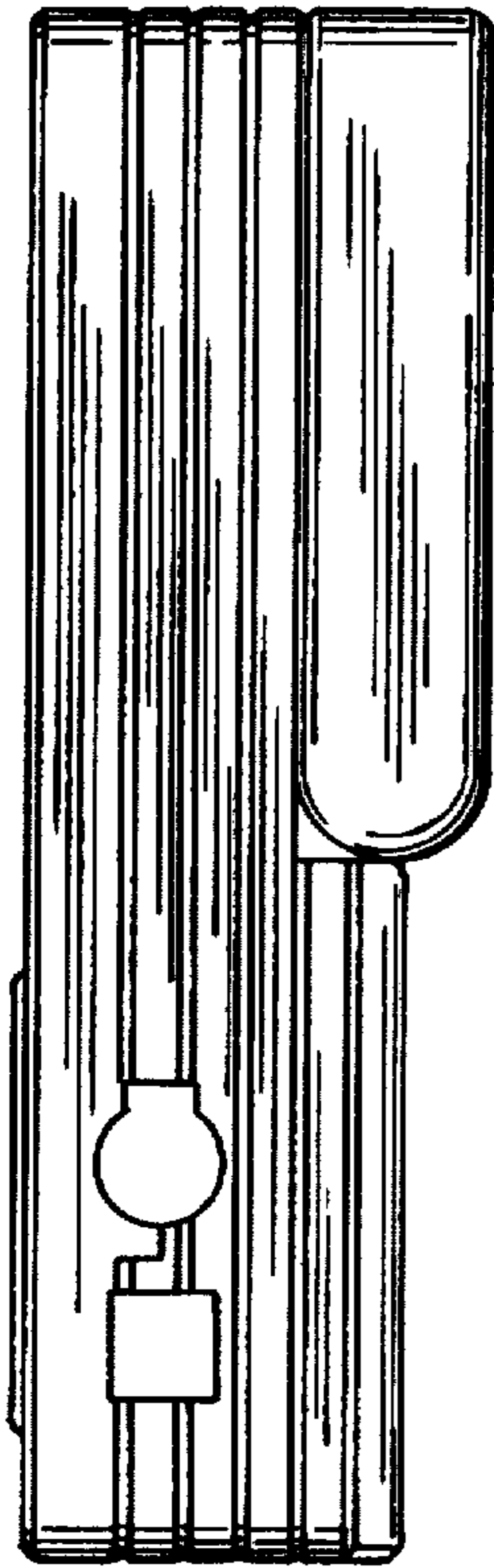


FIG. 6

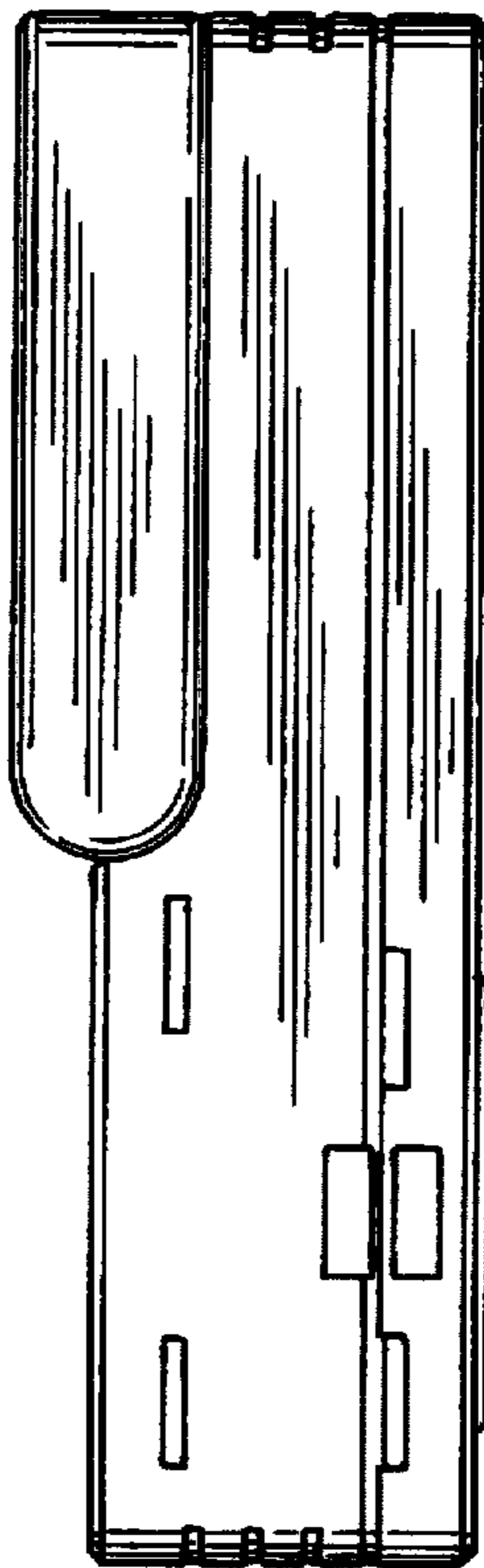


FIG. 7

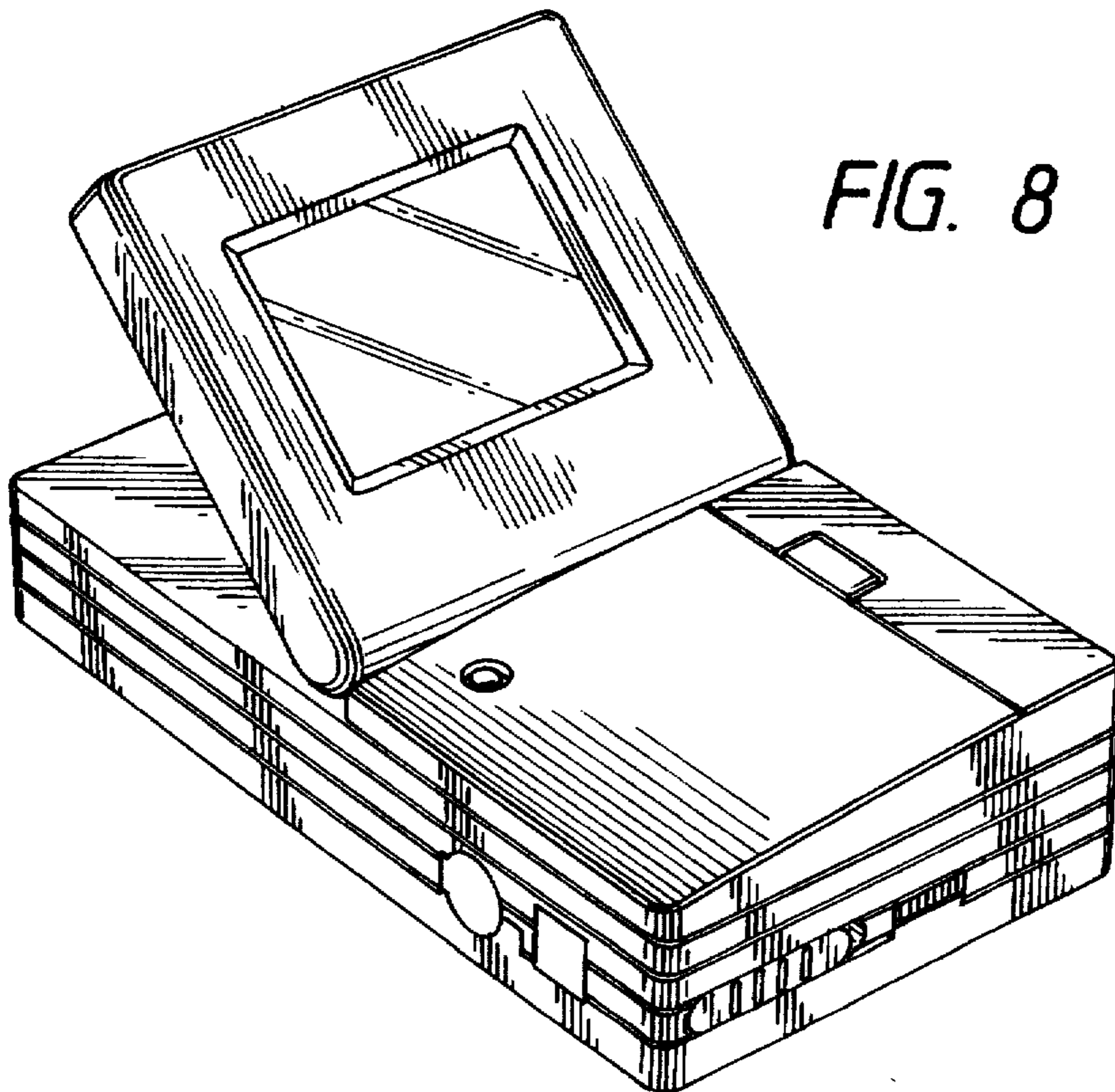
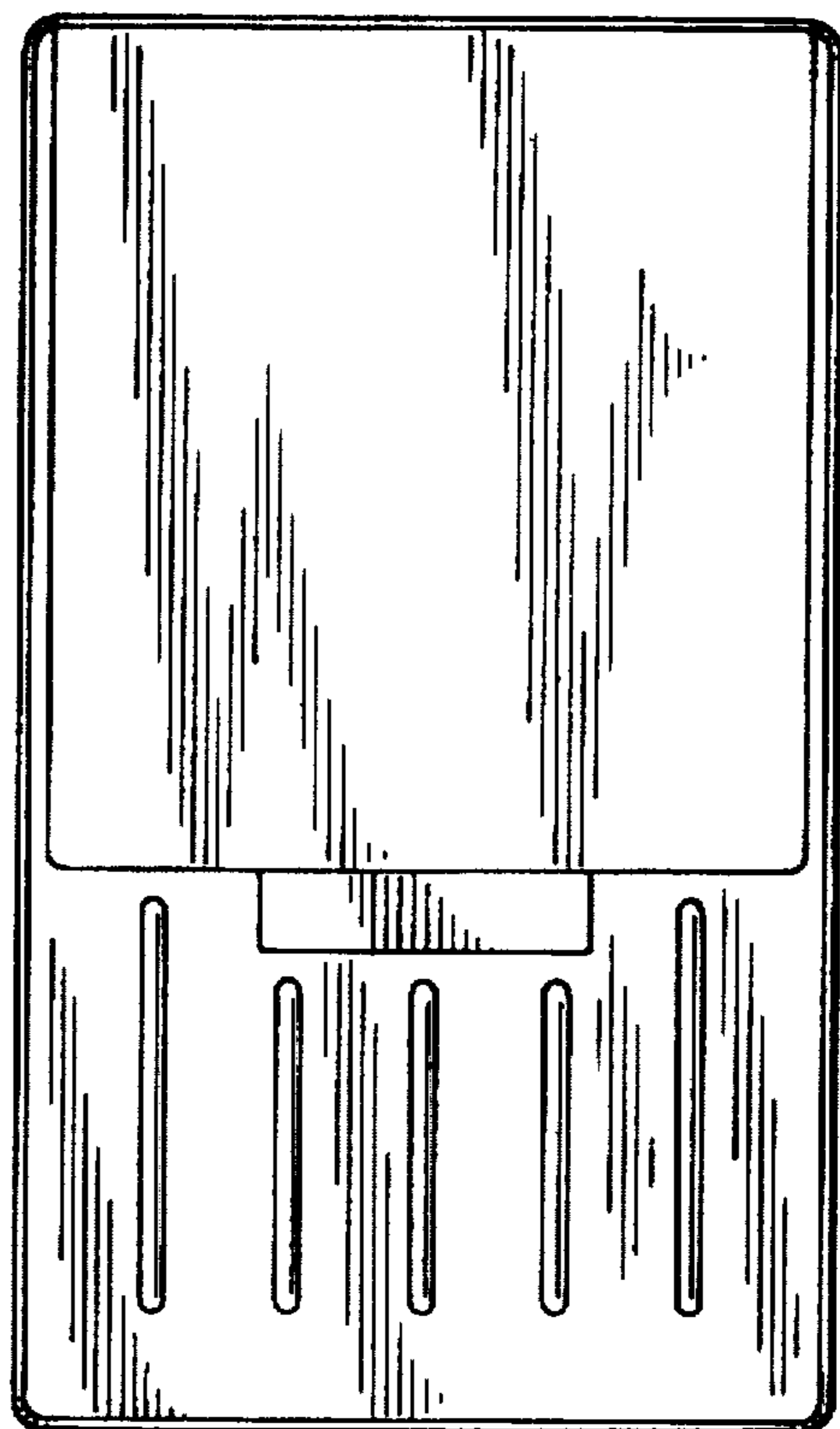


FIG. 8