



US00D397334S

United States Patent [19]
Larian

[11] **Patent Number:** **Des. 397,334**
[45] **Date of Patent:** ****Aug. 25, 1998**

[54] **VIRTUAL REALITY WALKIE TALKIE WITH
FLIP-DOWN EYE SHIELD**

[75] **Inventor:** **Isaac Larian**, Los Angeles, Calif.

[73] **Assignee:** **ABC International Traders, Inc.**,
Calif.

[**] **Term:** **14 Years**

[21] **Appl. No.:** **83,499**

[22] **Filed:** **Feb. 11, 1998**

[51] **LOC (6) Cl.** **02-03**

[52] **U.S. Cl.** **D14/124**

[58] **Field of Search** **D14/124, 137;**
D16/202; D21/102-107, 329, 330; D26/37,
38, 39; 273/148 B; 463/1, 29-46; 345/7,
8, 9, 905; 359/480, 431, 407, 443, 630;
348/53, 115, 121, 838

[56] **References Cited**

U.S. PATENT DOCUMENTS

- D. 369,160 4/1996 Gotoh et al. D14/124
- D. 370,909 6/1996 Oikawa et al. D14/124
- D. 374,002 9/1996 Bassett et al. D14/124
- D. 375,495 11/1996 MacInnes et al. D14/124
- D. 375,731 11/1996 Holmes et al. D14/124

- D. 383,455 9/1997 MacInnes et al. D14/124
- D. 390,552 2/1998 Ronzani D14/124
- 4,737,972 4/1988 Schoolman 345/8 X
- 5,137,450 8/1992 Thomas 348/123 X
- 5,320,534 6/1994 Thomas 348/115 X

Primary Examiner—Prabhakar G. Deshmukh
Attorney, Agent, or Firm—Oppenheimer Wolff & Donnelly
LLP

[57] **CLAIM**

The ornamental design virtual reality walkie talkie with flip-down eye shield, as shown and described.

DESCRIPTION

FIG. 1 is a top, front, right perspective view of my virtual reality walkie talkie with flip-down eye shield;
FIG. 2 is a front elevation view thereof;
FIG. 3 is a right side elevation view thereof;
FIG. 4 is a left side elevation view thereof;
FIG. 5 is a rear elevation view thereof;
FIG. 6 is a bottom plan view thereof; and,
FIG. 7 is a top plan view thereof.

The broken line showing of human figure is for illustrative purpose only and forms no part of the claim. The antenna in FIGS. 2-5 is shown with an indeterminate length for clarity.

1 Claim, 4 Drawing Sheets

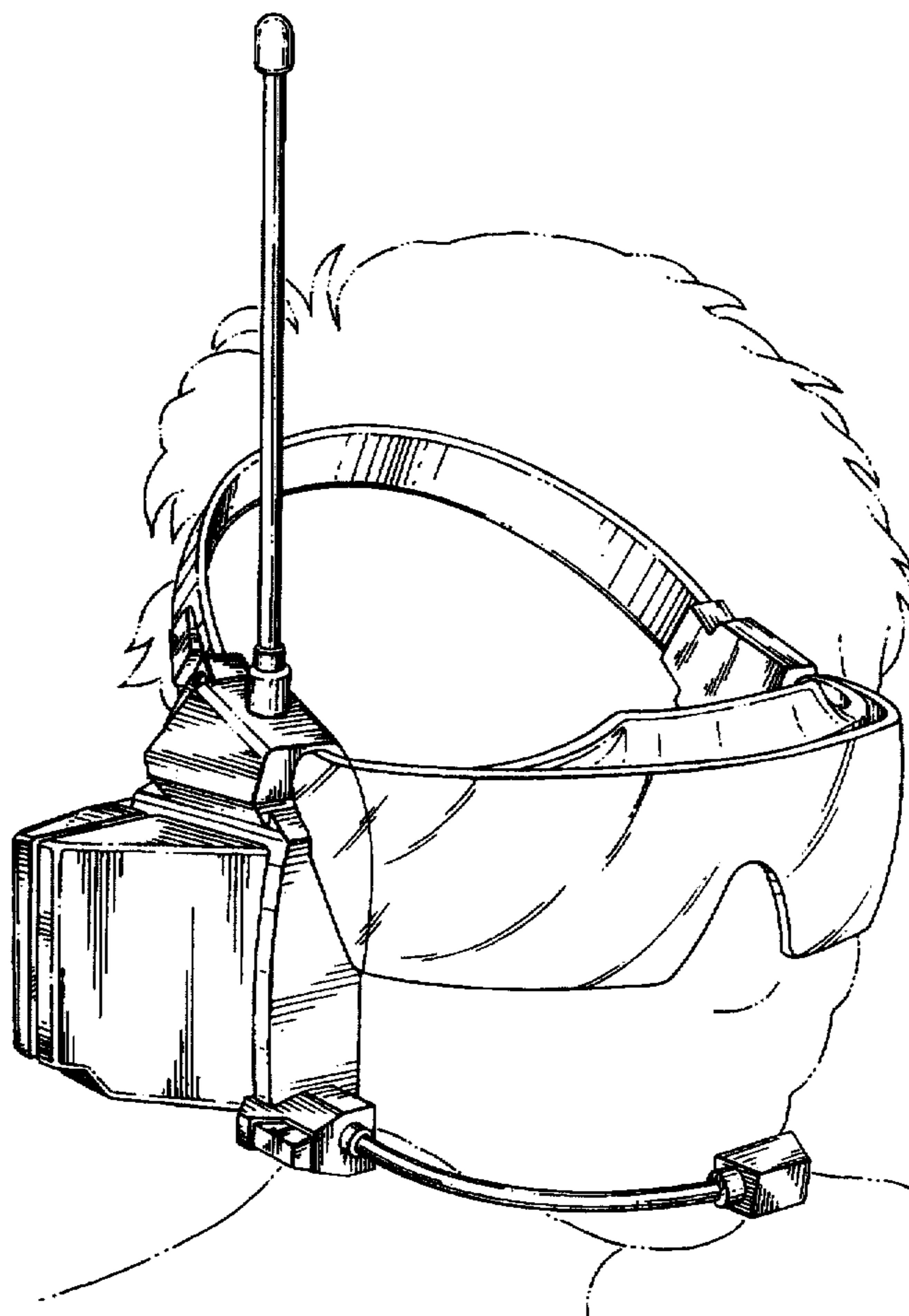
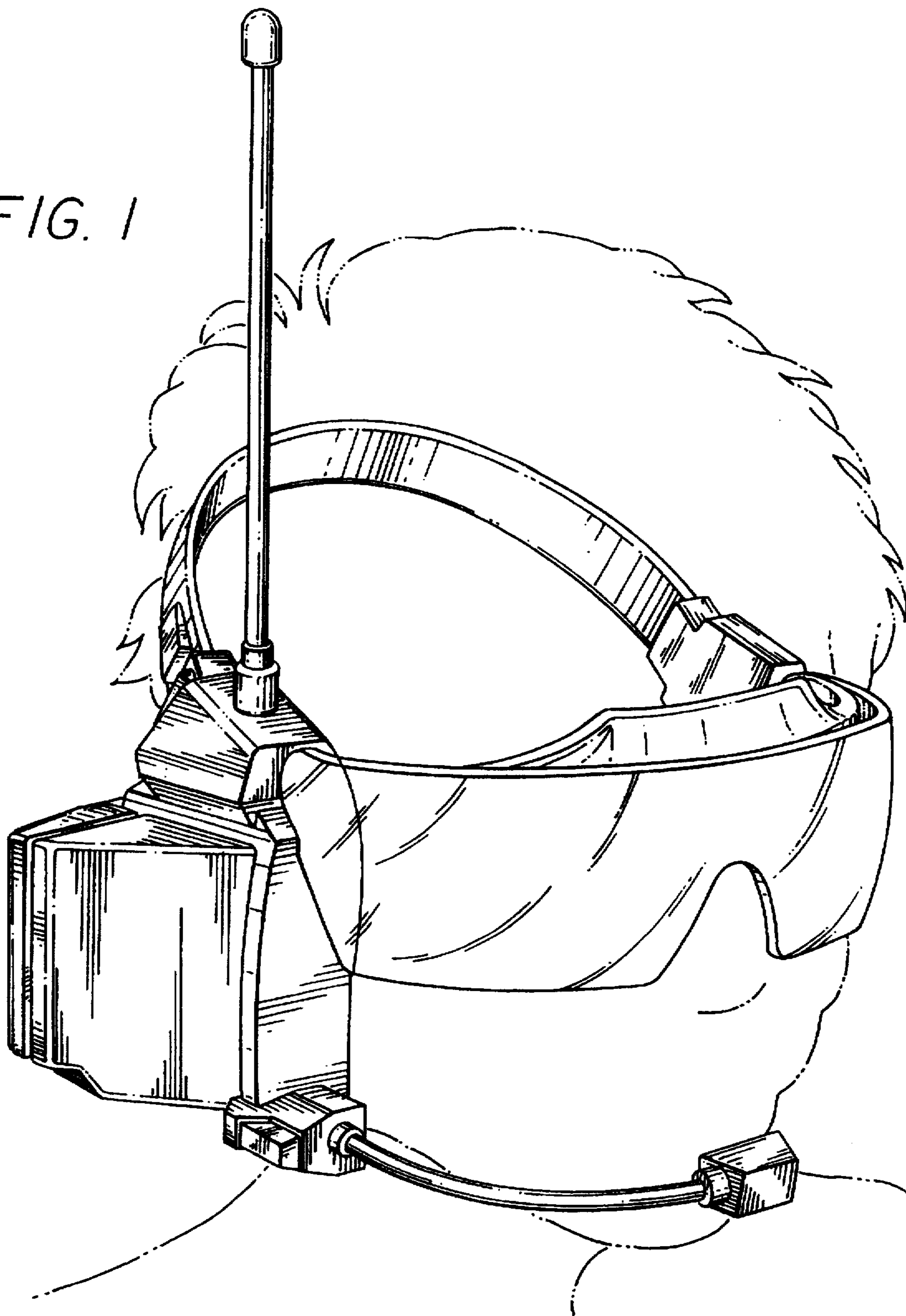


FIG. 1



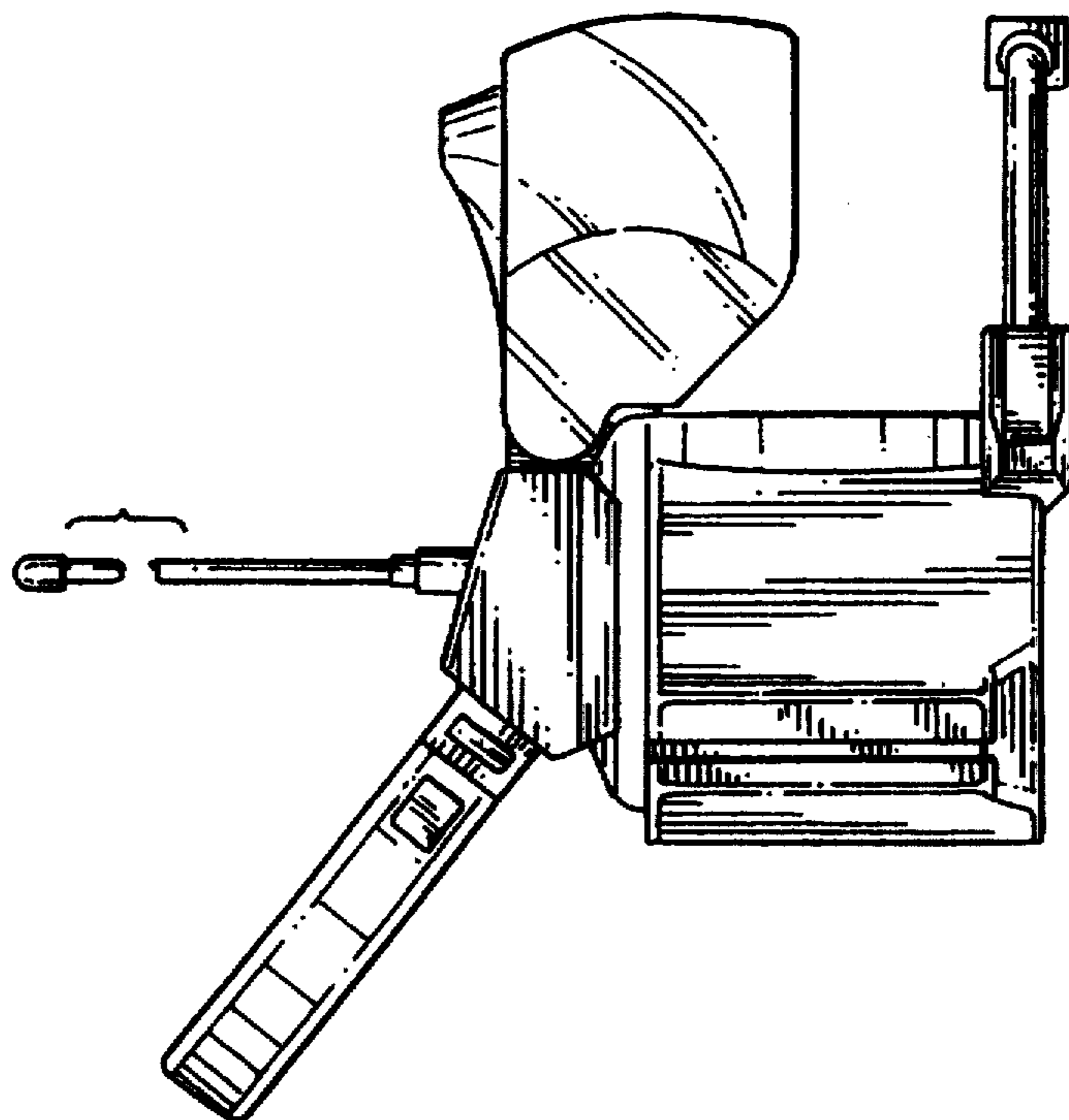


FIG. 2

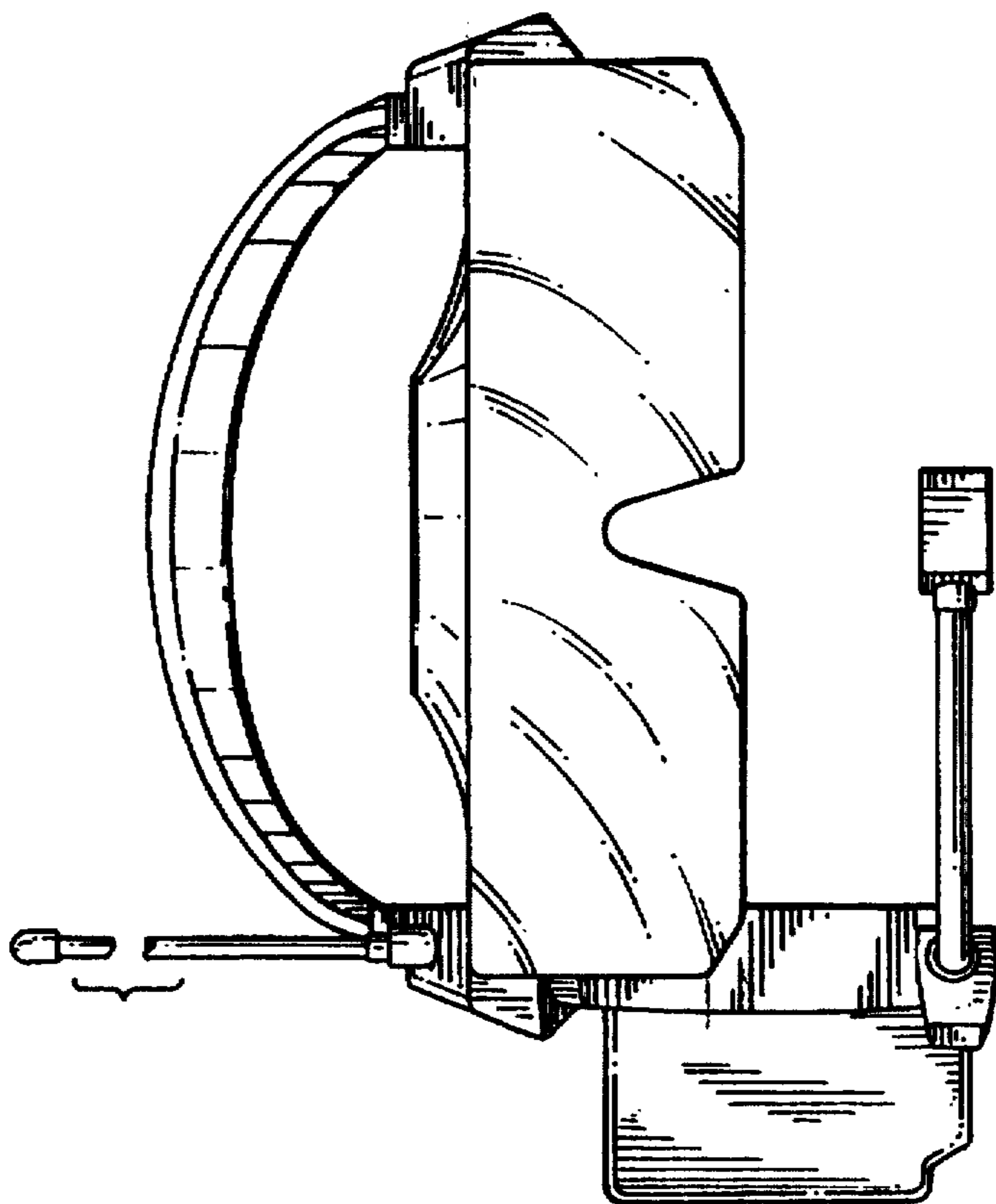


FIG. 3

FIG. 4

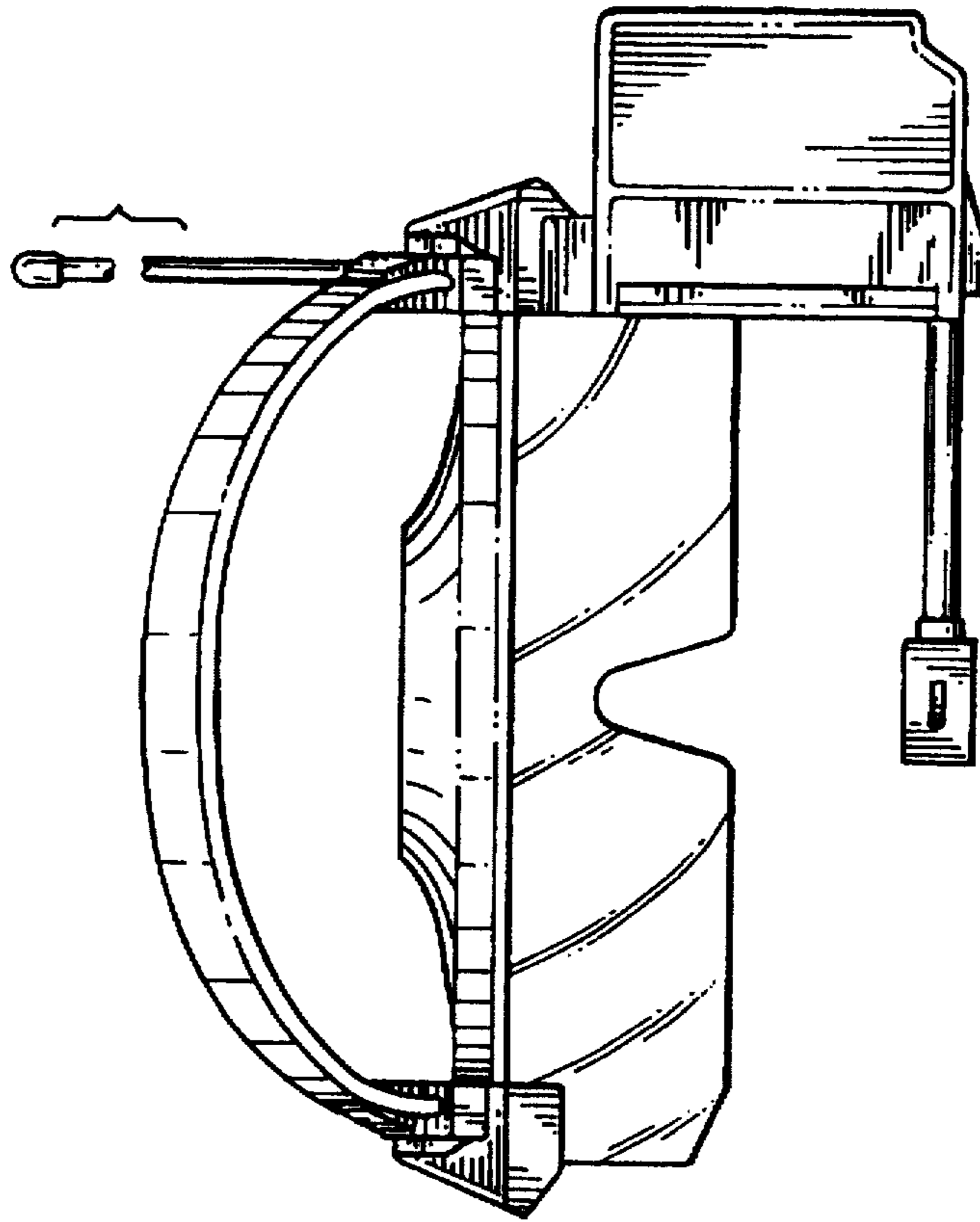
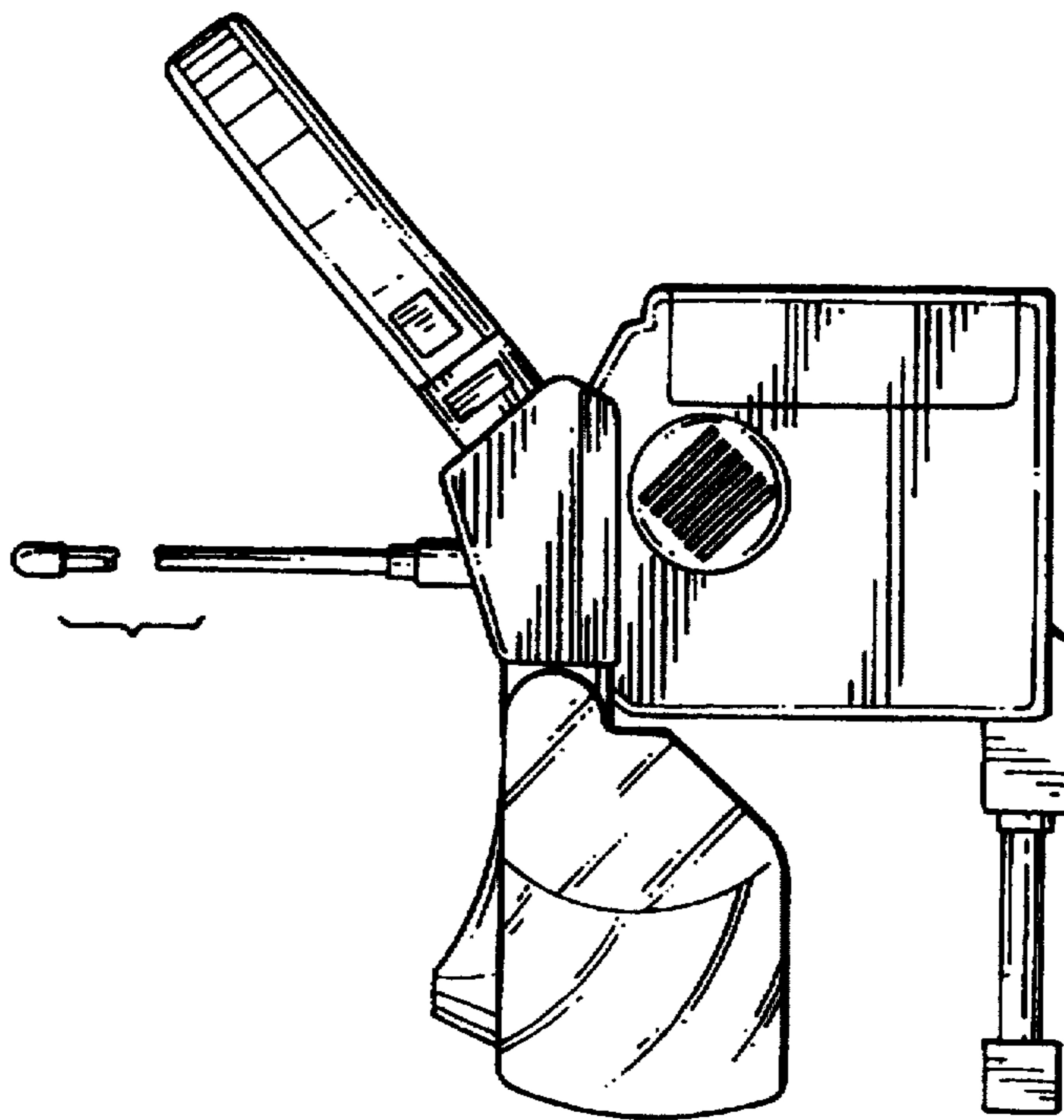


FIG. 5

FIG. 7

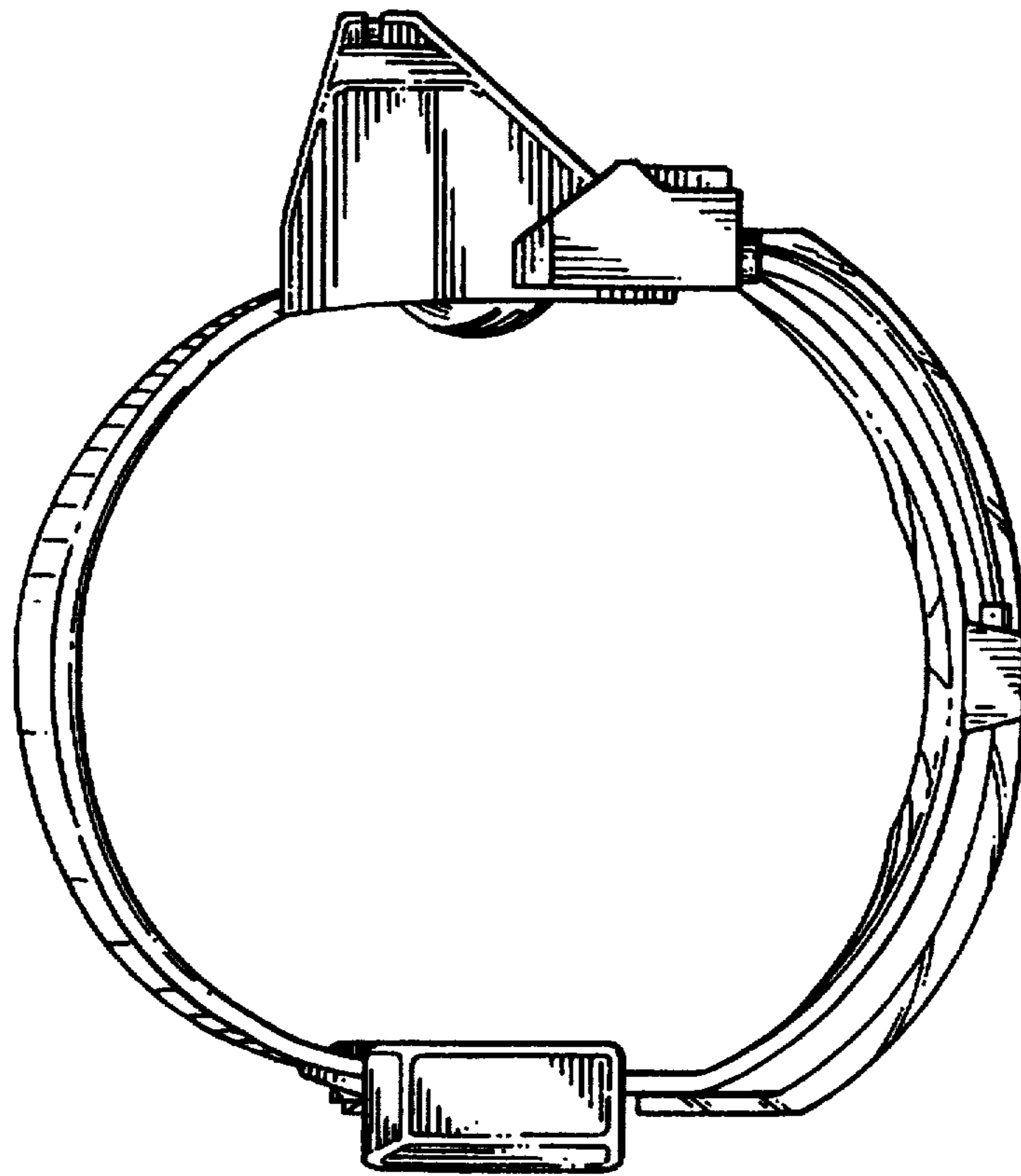


FIG. 6

