

US00D397329S

United States Patent [19]

[11] Patent Number: Des. 397,329

Vackar

[45] Date of Patent: **Aug. 25, 1998

[54] OUTER SURFACE PORTION OF AN ELECTRONIC ENCLOSURE

[75] Inventor: Mark A. Vackar, Houston, Tex.

[73] Assignee: Toshiba International Corporation, Houston, Tex.

[**] Term: 14 Years

[21] Appl. No.: 75,341

[22] Filed: Aug. 25, 1997

[51] LOC (6) Cl. 14-02

[52] U.S. Cl. D14/114

[58] Field of Search D14/100, 102, D14/107, 109, 114; D13/162, 184, 199; 361/600, 679, 622, 724-7; 360/97.01, 99.12; 312/223.1, 223.2, 223.3

D. 375,944 11/1996 Franz et al. .

D. 376,137 12/1996 MacMurtrie et al. .

D. 379,623 6/1997 Wu .

D. 379,802 6/1997 Collins et al. .

D. 381,318 7/1997 Sharp et al. .

D. 382,859 8/1997 Alfonso et al. .

D. 383,119 9/1997 Mousa .

D. 384,042 9/1997 Antonczak et al. D14/100

D. 390,202 2/1998 Goto D14/100

D. 390,540 2/1998 Brenner et al. D14/100

4,971,563 11/1990 Wells, III .

5,124,885 6/1992 Liu .

5,248,193 9/1993 Schlemmer .

5,397,176 3/1995 Allen et al. .

5,450,285 9/1995 Schlemmer .

5,549,375 8/1996 Pagliaccio .

5,567,068 10/1996 Egashira et al. .

5,568,611 10/1996 Khatri et al. .

5,593,219 1/1997 Ho .

Primary Examiner—M. H. Tung
 Attorney, Agent, or Firm—Banner & Witcoff, Ltd.

[56] References Cited

U.S. PATENT DOCUMENTS

D. 309,727 8/1990 Stead D14/100

D. 310,825 9/1990 Crease et al. D14/100

D. 325,195 4/1992 Tanaka D14/100

D. 358,135 5/1995 Chiodo et al. D14/100

D. 358,581 5/1995 Daniels .

D. 361,327 8/1995 Yang .

D. 366,462 1/1996 Hill et al. .

D. 366,464 1/1996 Martin .

D. 369,792 5/1996 Paterson et al. .

D. 370,210 5/1996 Cindrich et al. D14/100

D. 370,211 5/1996 Lee .

D. 370,902 6/1996 Reiter .

D. 371,351 7/1996 Lai .

D. 372,899 8/1996 Swansey et al. .

D. 374,431 10/1996 Tennant .

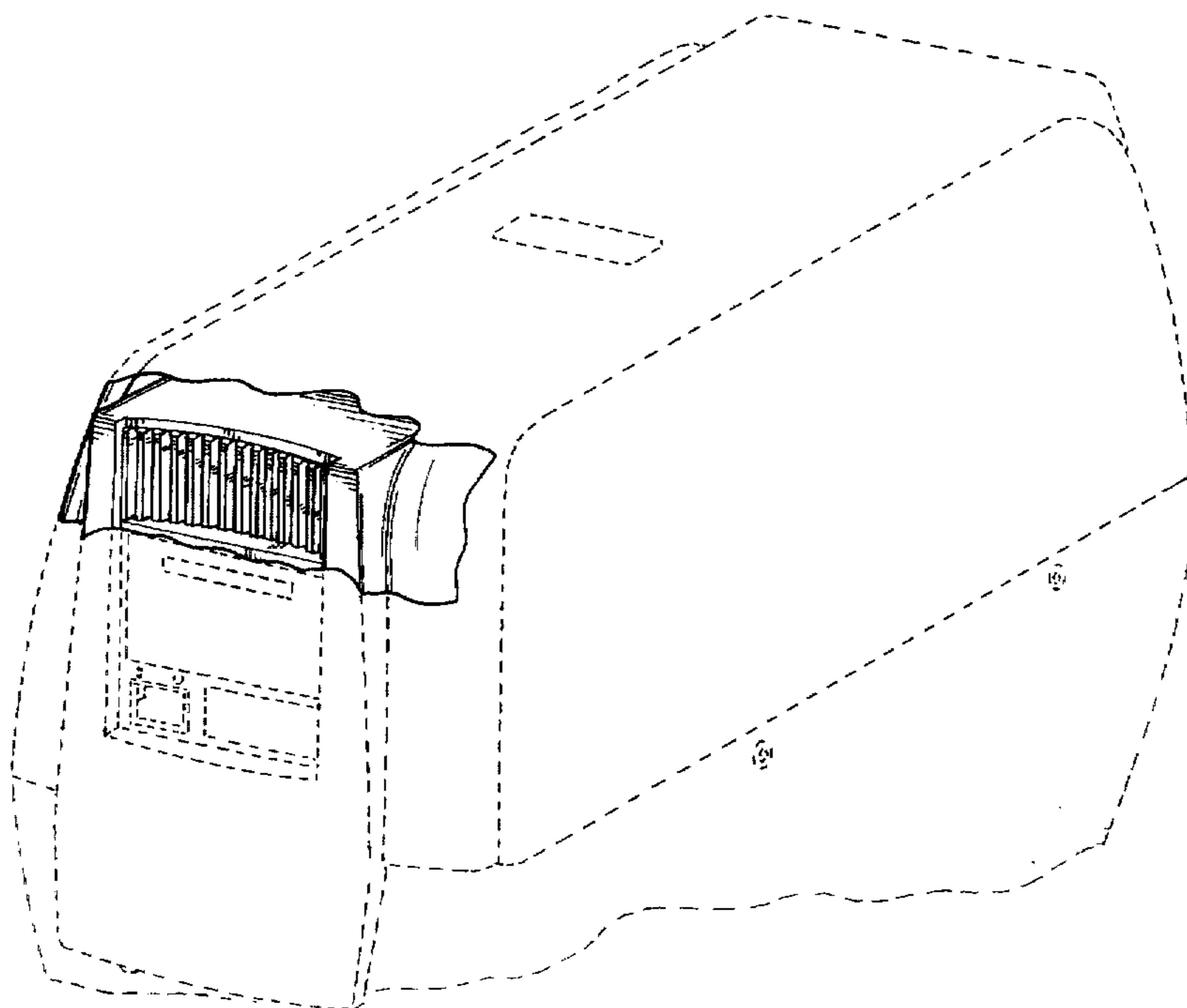
[57] CLAIM

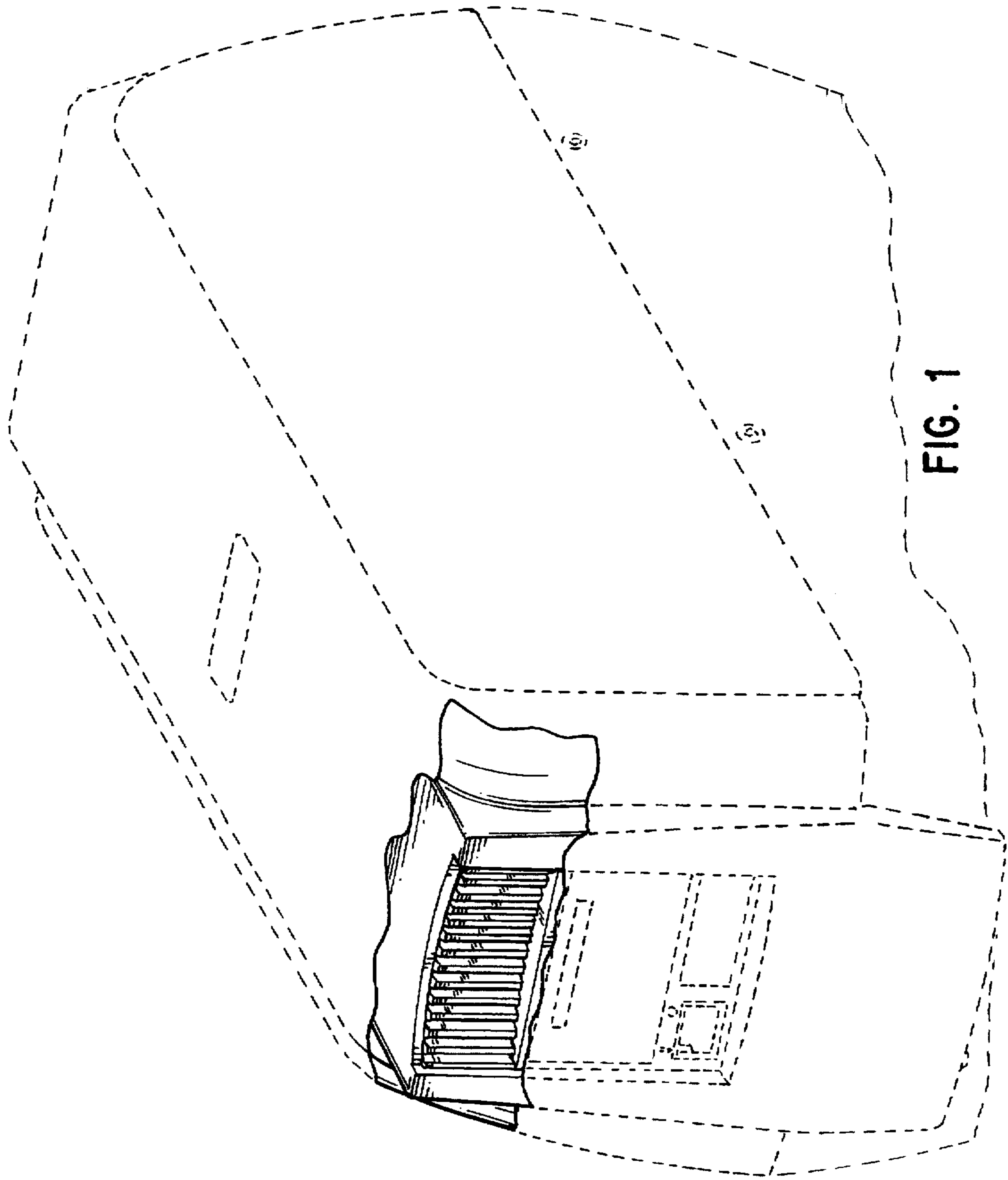
The ornamental design for an outer surface portion of an electronic enclosure, as shown and described.

DESCRIPTION

FIG. 1 is a perspective view of an outer surface portion of an electronic enclosure showing my new design; FIG. 2 is a front elevational view thereof; FIG. 3 is a top plan view thereof; FIG. 4 is a left side elevational view thereof; and, FIG. 5 is a right side elevational view thereof. The broken line drawing of a portion of an electronic enclosure in all figure views is for illustrative purposes only and forms no part of the claimed design.

1 Claim, 4 Drawing Sheets





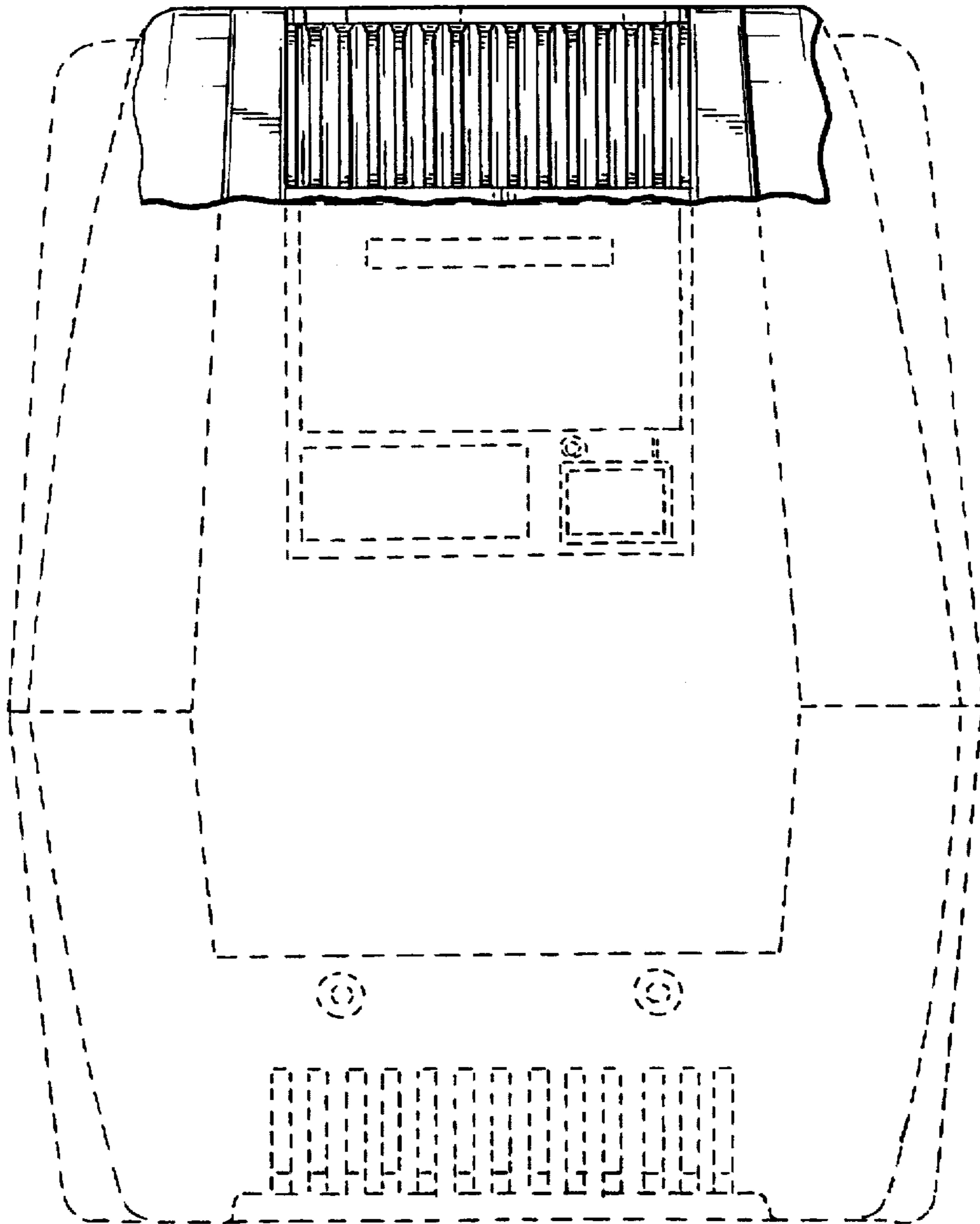


FIG. 2

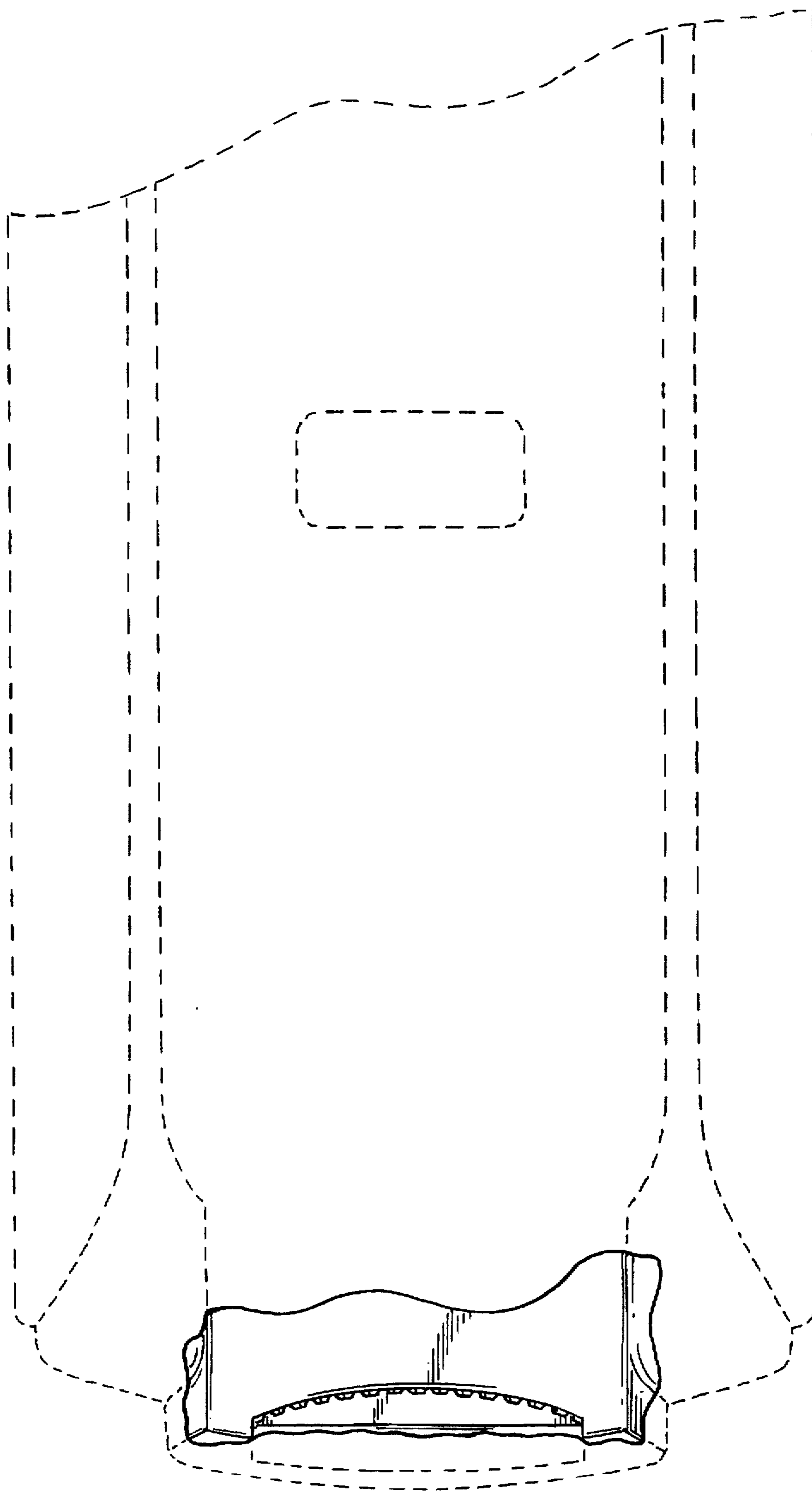


FIG. 3

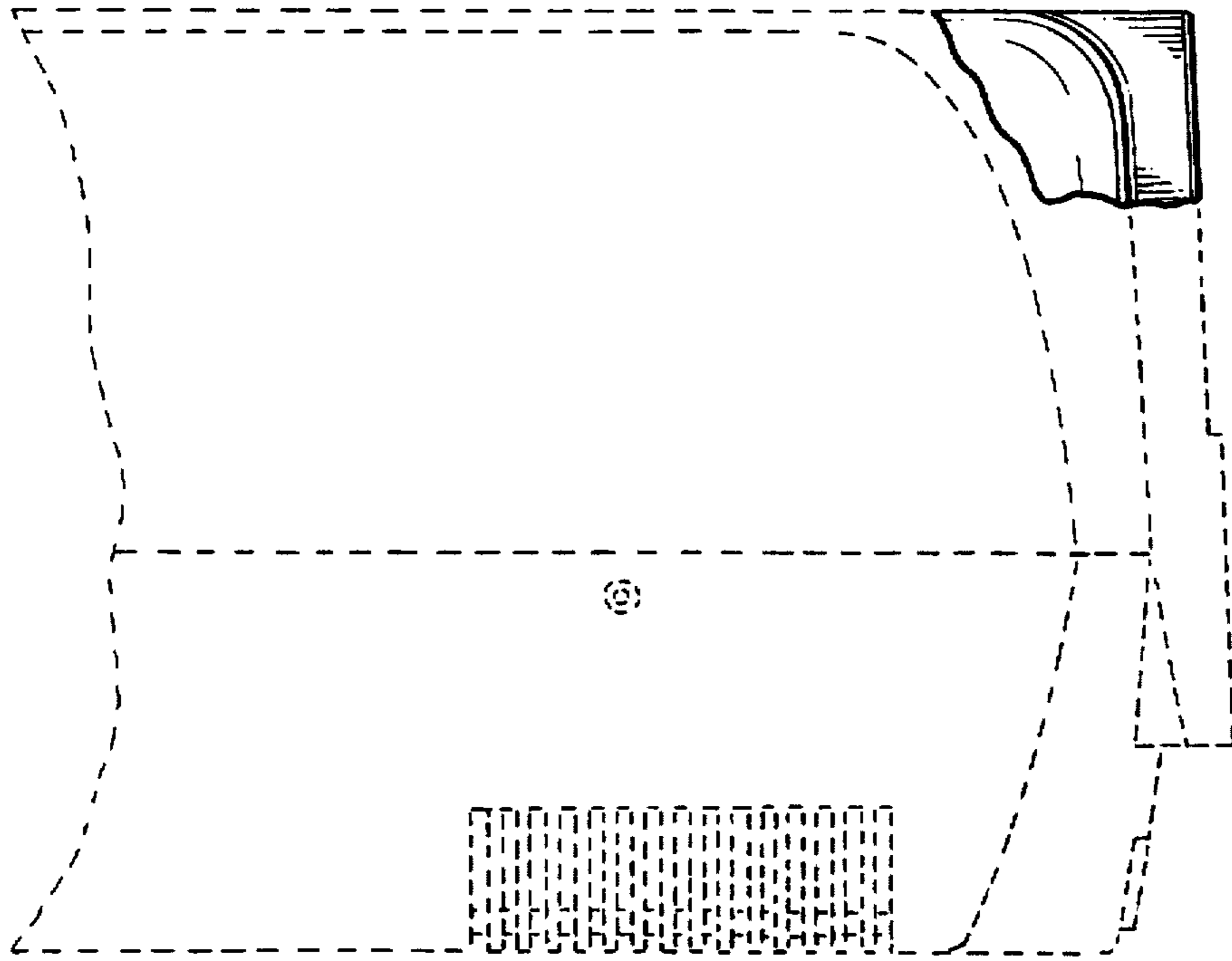


FIG. 4

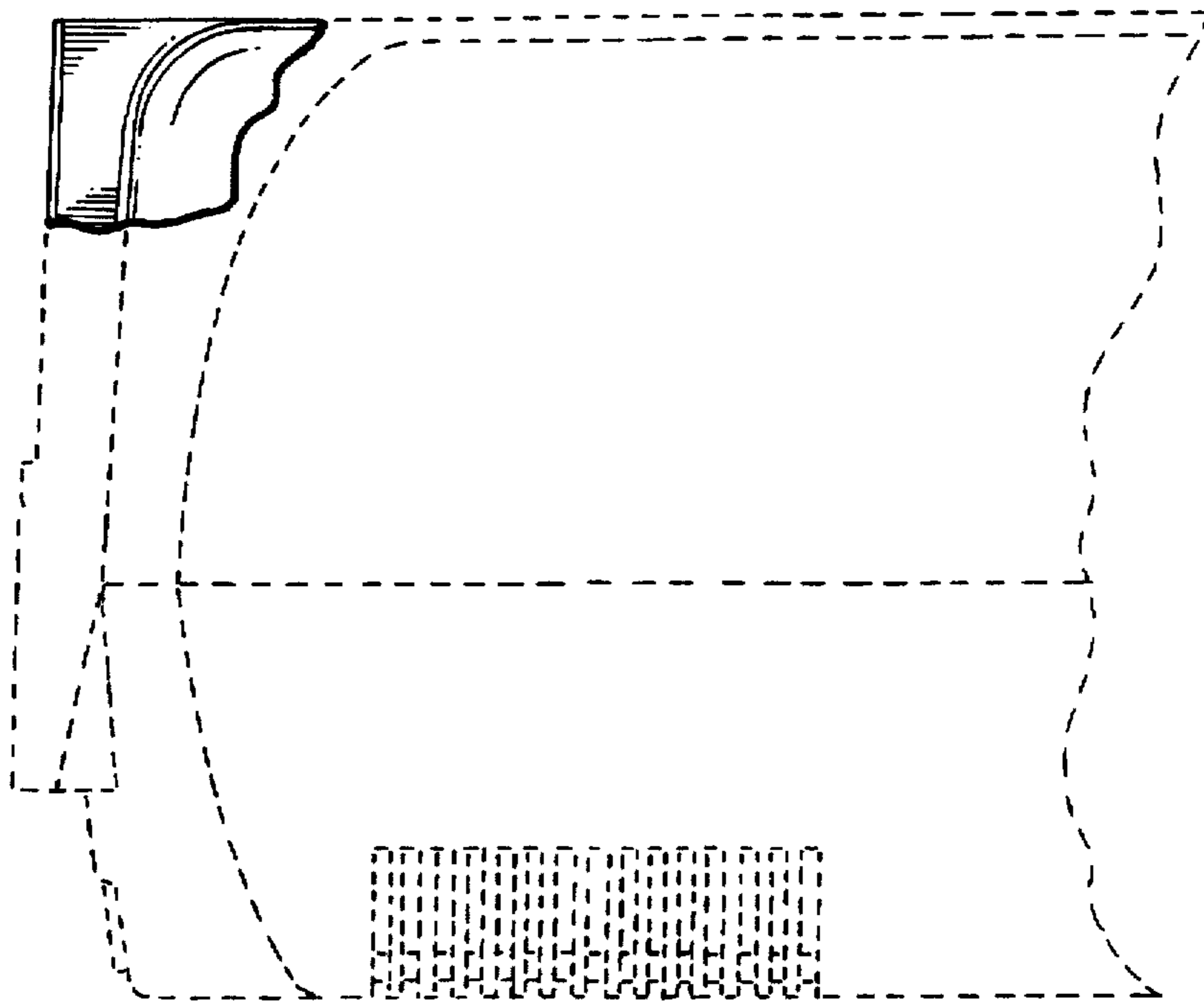


FIG. 5